



US00D328305S

# United States Patent [19]

[11] Patent Number: **Des. 328,305**

Wong

[45] Date of Patent: **\*\* Jul. 28, 1992**

[54] AIR COMPRESSOR

D. 300,035 2/1989 Yuen ..... D26/38  
D. 323,329 1/1992 Wong ..... D15/7

[76] Inventor: Alex Y. K. Wong, 5th Floor, HK  
Worsted Mills Industrial Estate,  
31-39 Wo Tong Tsui Street, Kwai  
Chung, New Territories, Hong  
Kong

Primary Examiner—A. Hugo Word  
Assistant Examiner—R. Seifert  
Attorney, Agent, or Firm—Kerkam, Stowell, Kondracki  
& Clarke

[\*\*] Term: 14 Years

### [57] CLAIM

[21] Appl. No.: 505,536

The ornamental design for an air compressor, as shown  
and described.

[22] Filed: Apr. 6, 1990

### DESCRIPTION

[30] Foreign Application Priority Data

Oct. 9, 1989 [GB] United Kingdom ..... 2001551

[52] U.S. Cl. .... D15/9; D15/7

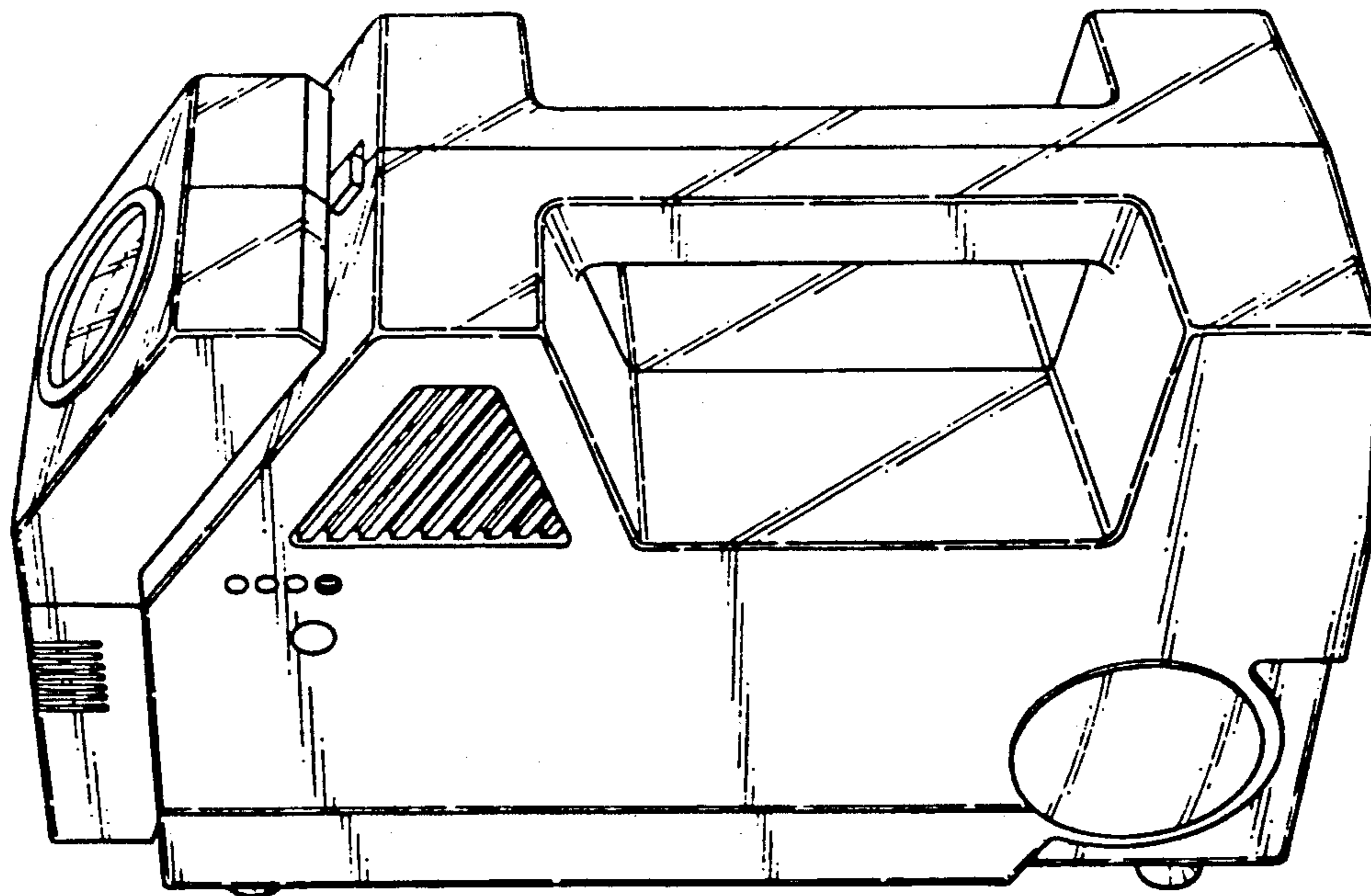
[58] Field of Search ..... D15/1-9.2;  
D26/38; 417/234, 415

FIG. 1 is a top and side perspective view of an air compressor showing my new design;  
FIG. 2 is a perspective view showing the side opposite that shown in FIG. 1;  
FIG. 3 is a top front end perspective view;  
FIG. 4 is a top rear end perspective view;  
FIG. 5 is a top front end perspective of FIG. 3, shown with the accessory compartment in an open position; and,  
FIG. 6 is a top and side perspective view shown with the accessory compartment door open and the air line in an extended position.

[56] References Cited

#### U.S. PATENT DOCUMENTS

D. 289,297 4/1987 Liu ..... D15/7  
D. 294,396 2/1988 Steere et al. .... D15/9  
D. 295,181 4/1988 Vitaloni ..... D15/9  
D. 296,104 6/1988 Hung ..... D26/38



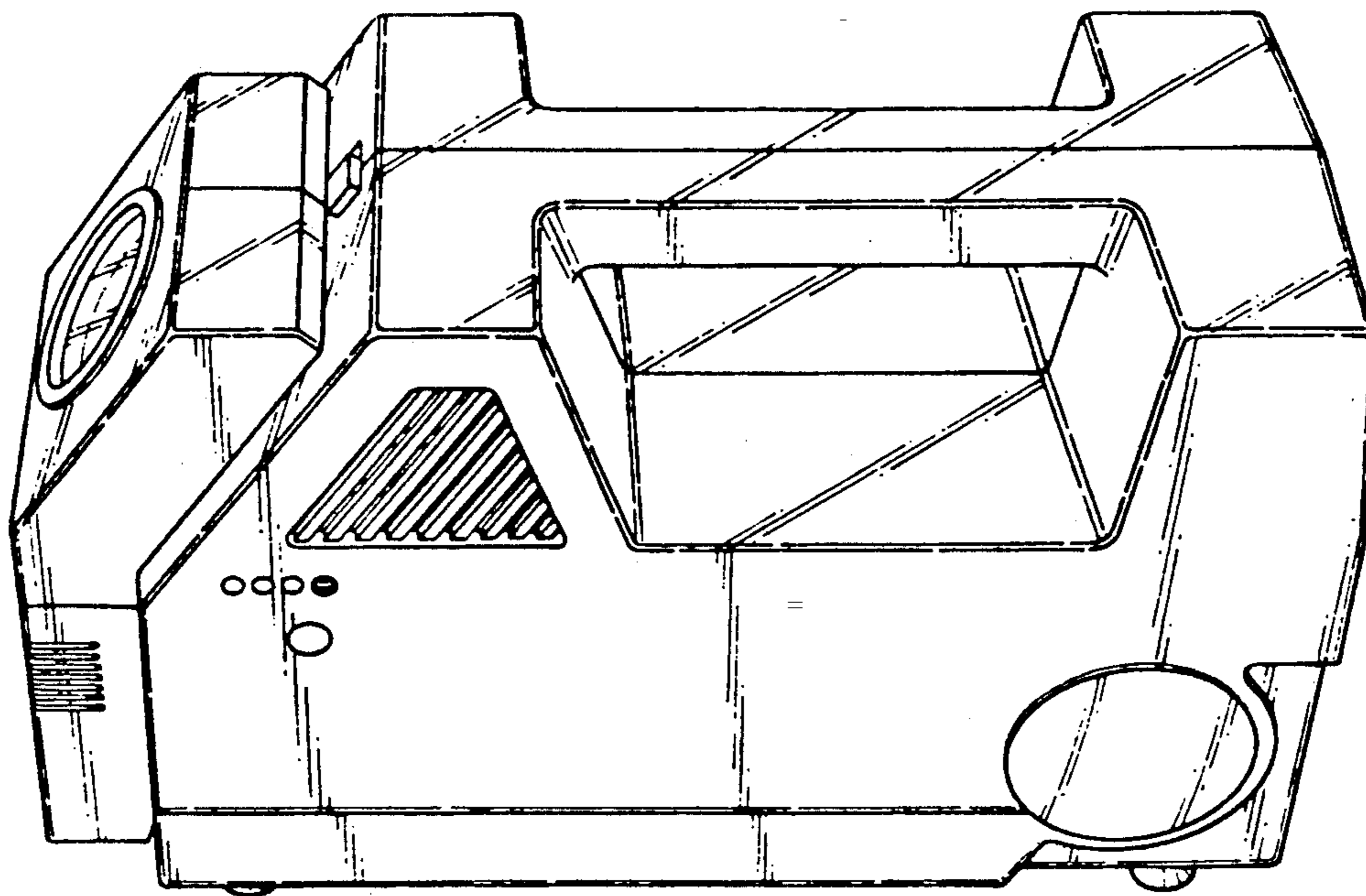


FIG. 1

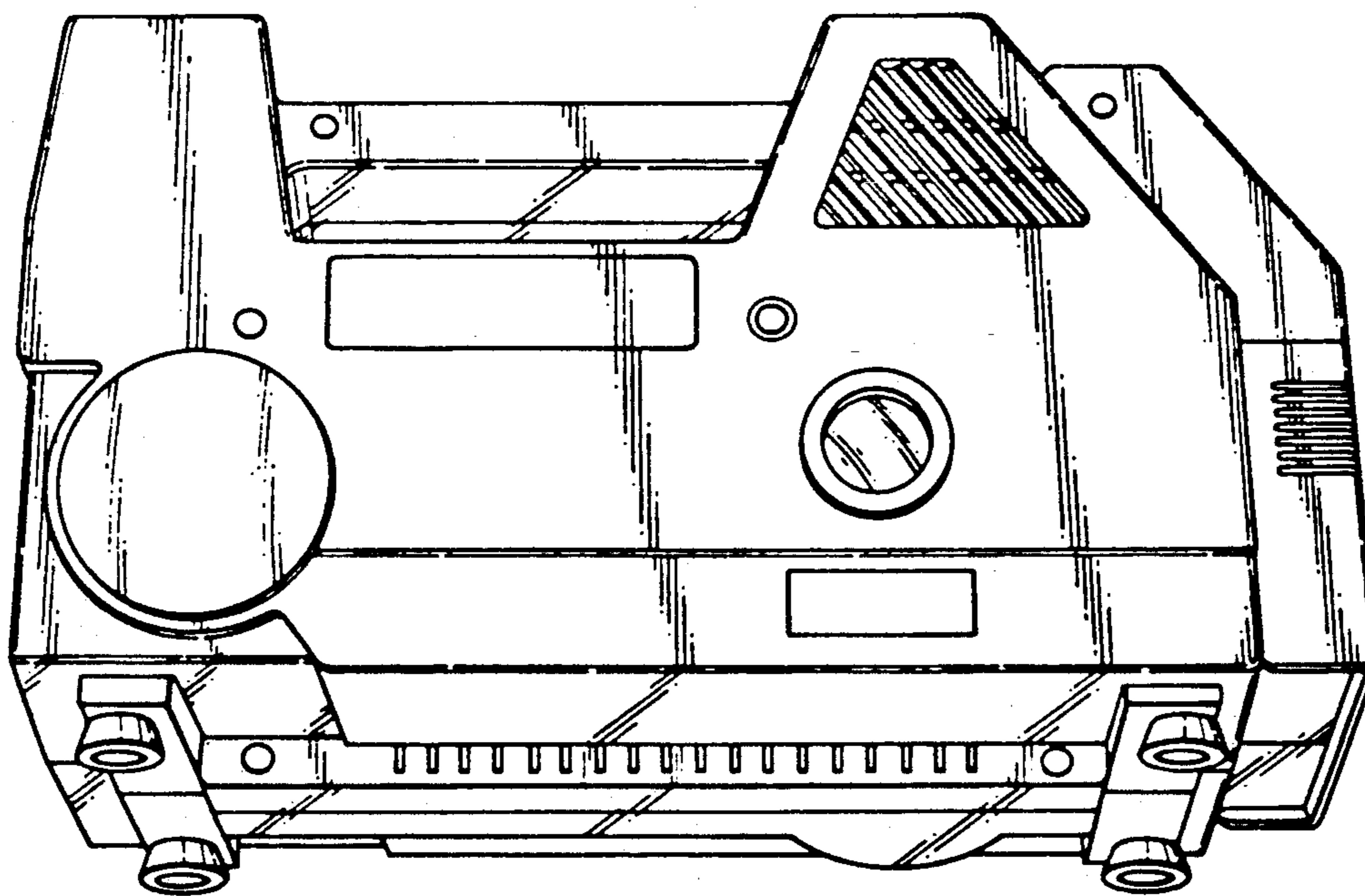


FIG. 2

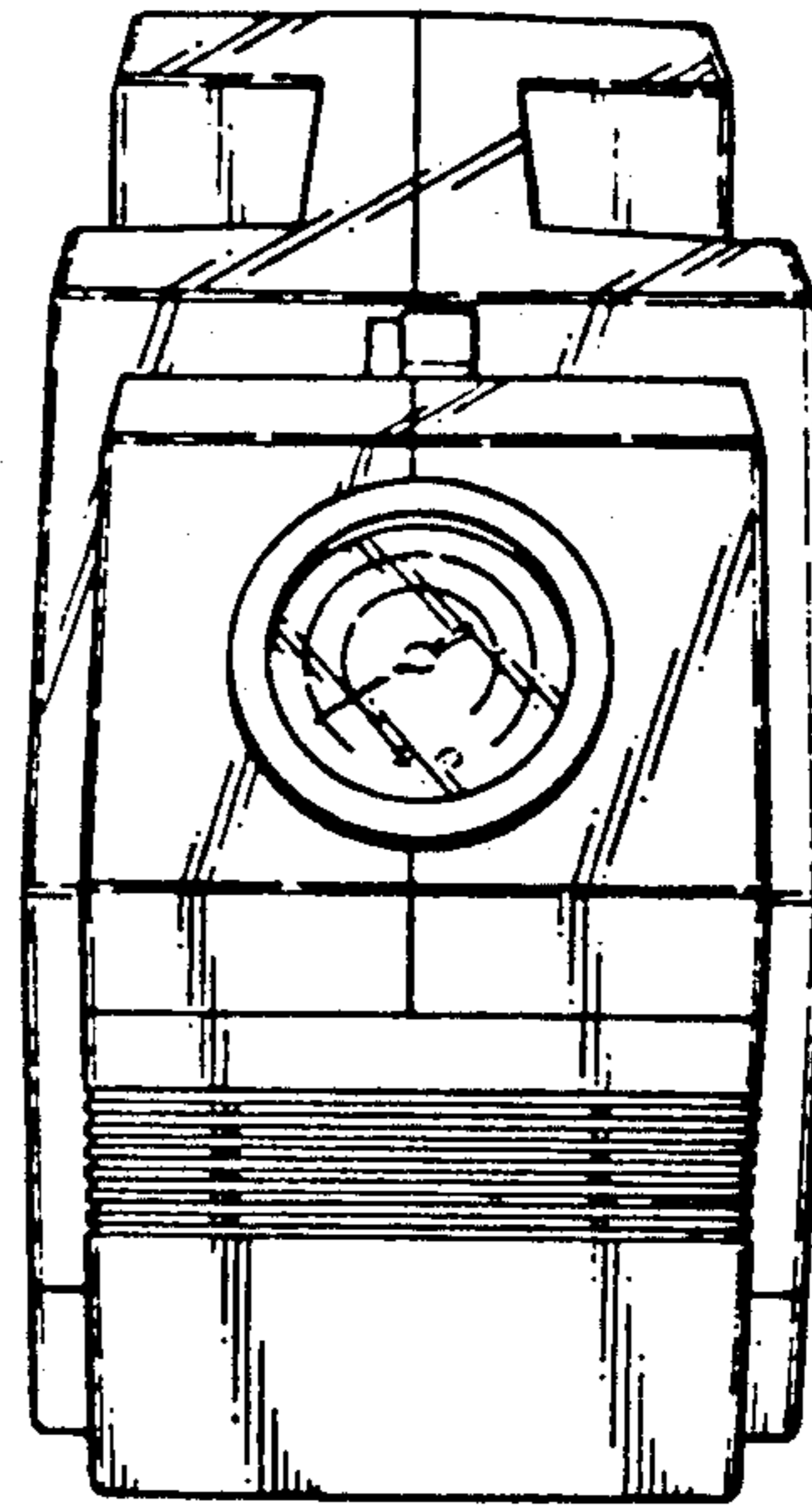


FIG. 3

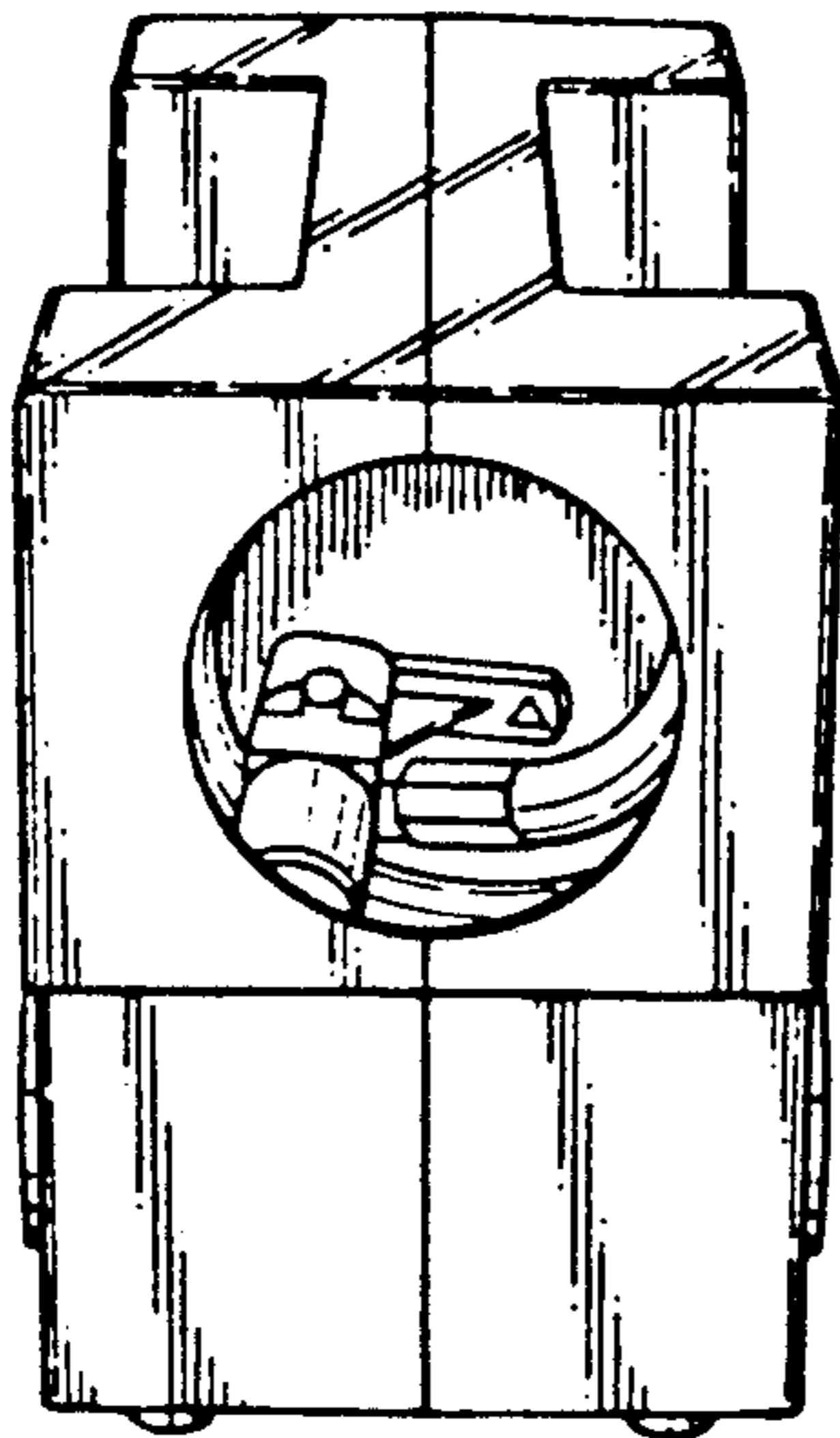


FIG. 4

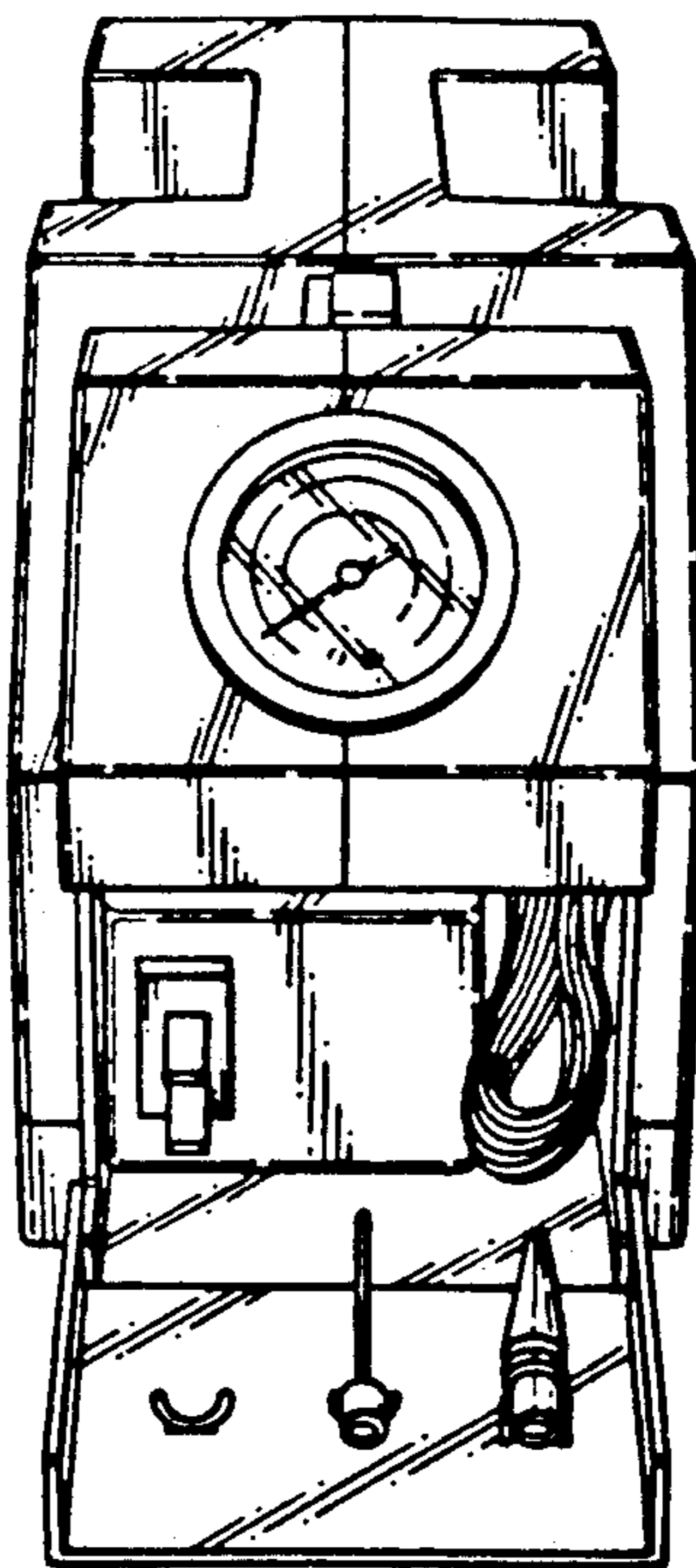


FIG. 5



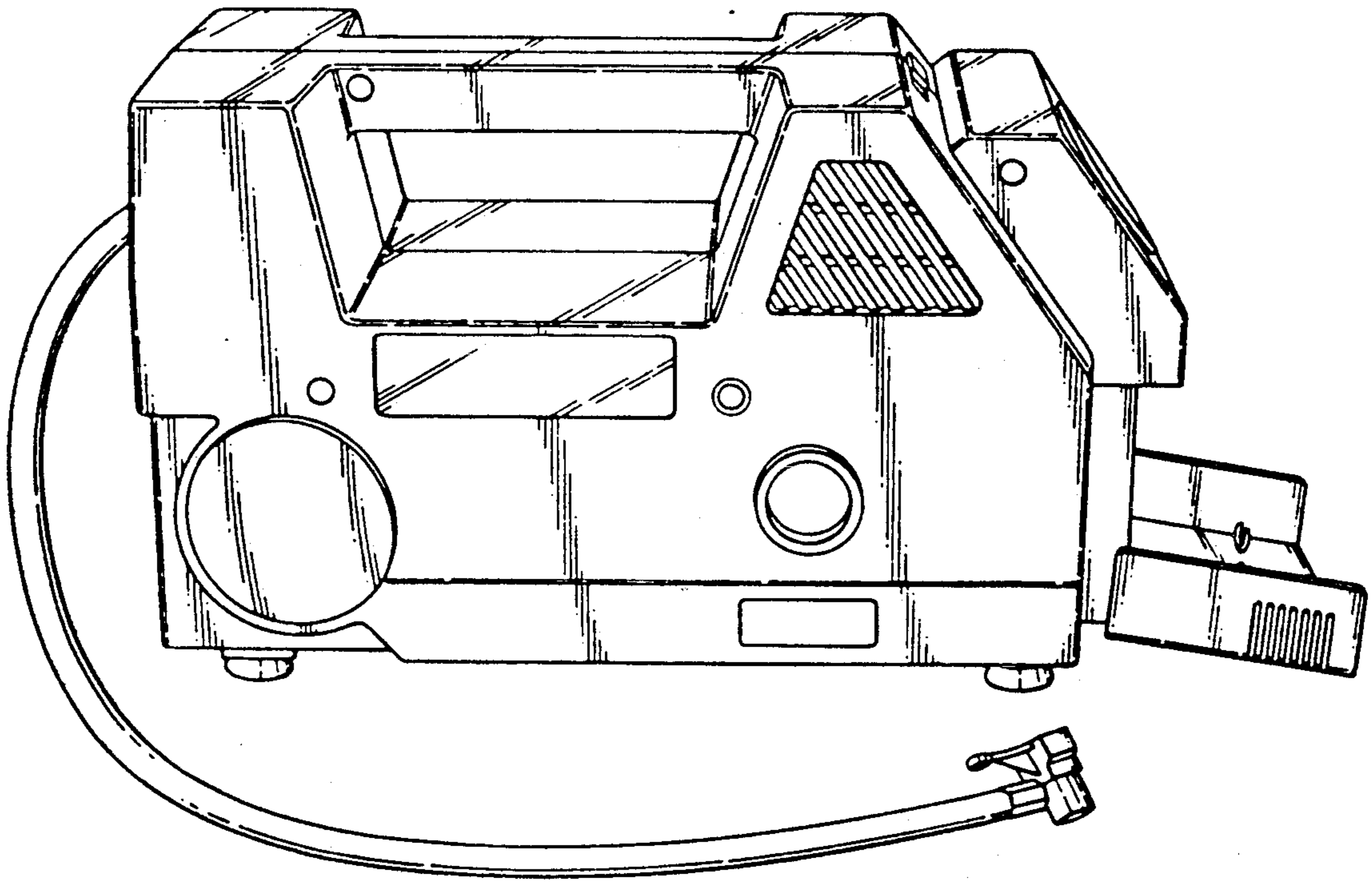


FIG. 6