



US00D328304S

# United States Patent [19]

[11] Patent Number: **Des. 328,304**

Frohn et al.

[45] Date of Patent: **\*\* Jul. 28, 1992**

## [54] ROTARY FLUID FLOW MACHINE

## [56] References Cited

[75] Inventors: **Dieter Frohn, Wuppertal; Bernhard Hanitsch, Solingen; Hans-Heinrich Henning, Ennepetal; Michael Osenberg; Detlef Radtke, both of Wuppertal, all of Fed. Rep. of Germany**

### U.S. PATENT DOCUMENTS

D. 116,252	8/1939	Van Doren et al. ....	D15/7
D. 210,706	4/1968	Zalis .....	D15/7
D. 215,885	11/1969	Svenson .....	D15/7
D. 263,302	3/1982	Terajima et al. ....	D15/7
D. 274,433	6/1984	Boller .....	D15/7
D. 275,198	8/1984	Yokota et al. ....	D15/1
D. 293,114	12/1987	Brogdon .....	D15/1
1,082,183	12/1913	Vernon .....	D15/7
4,190,402	2/1980	Meece et al. ....	417/415

[73] Assignee: **Gerb. Becker GmbH & Co., Wuppertal, Fed. Rep. of Germany**

*Primary Examiner*—A. Hugo Word  
*Assistant Examiner*—R. Seifert  
*Attorney, Agent, or Firm*—Peter K. Kontler

[\*\*] Term: **14 Years**

## [57] CLAIM

[21] Appl. No.: **613,221**

The ornamental design for a rotary fluid flow machine, as shown and described.

[22] Filed: **Nov. 8, 1990**

## DESCRIPTION

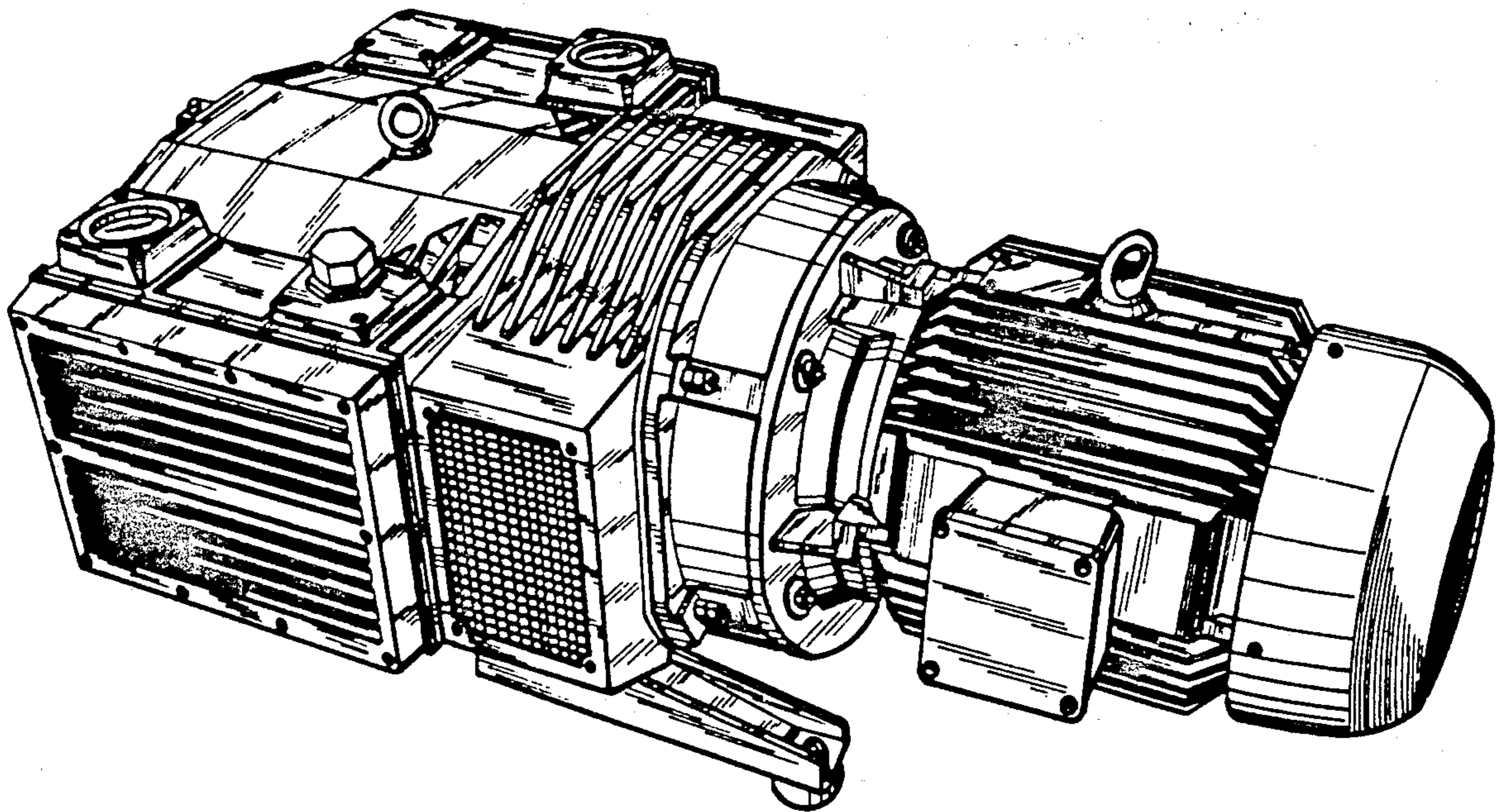
### [30] Foreign Application Priority Data

May 11, 1990 [DE] Fed. Rep. of Germany ..... 9003294

[52] U.S. Cl. .... **D15/7; D15/1; D15/9**

FIG. 1 is a front perspective view of a rotary fluid flow machine showing our new design; FIG. 2 is a side perspective view; FIG. 3 is a front elevational view; FIG. 4 is a rear elevational view; FIG. 5 is a left side elevational view; FIG. 6 is a right side elevational view; FIG. 7 is a top plan view; and, FIG. 8 is a bottom plan view.

[58] Field of Search ..... **D15/1-7; 417/415, 419, 362, 234, 405, 424.1**



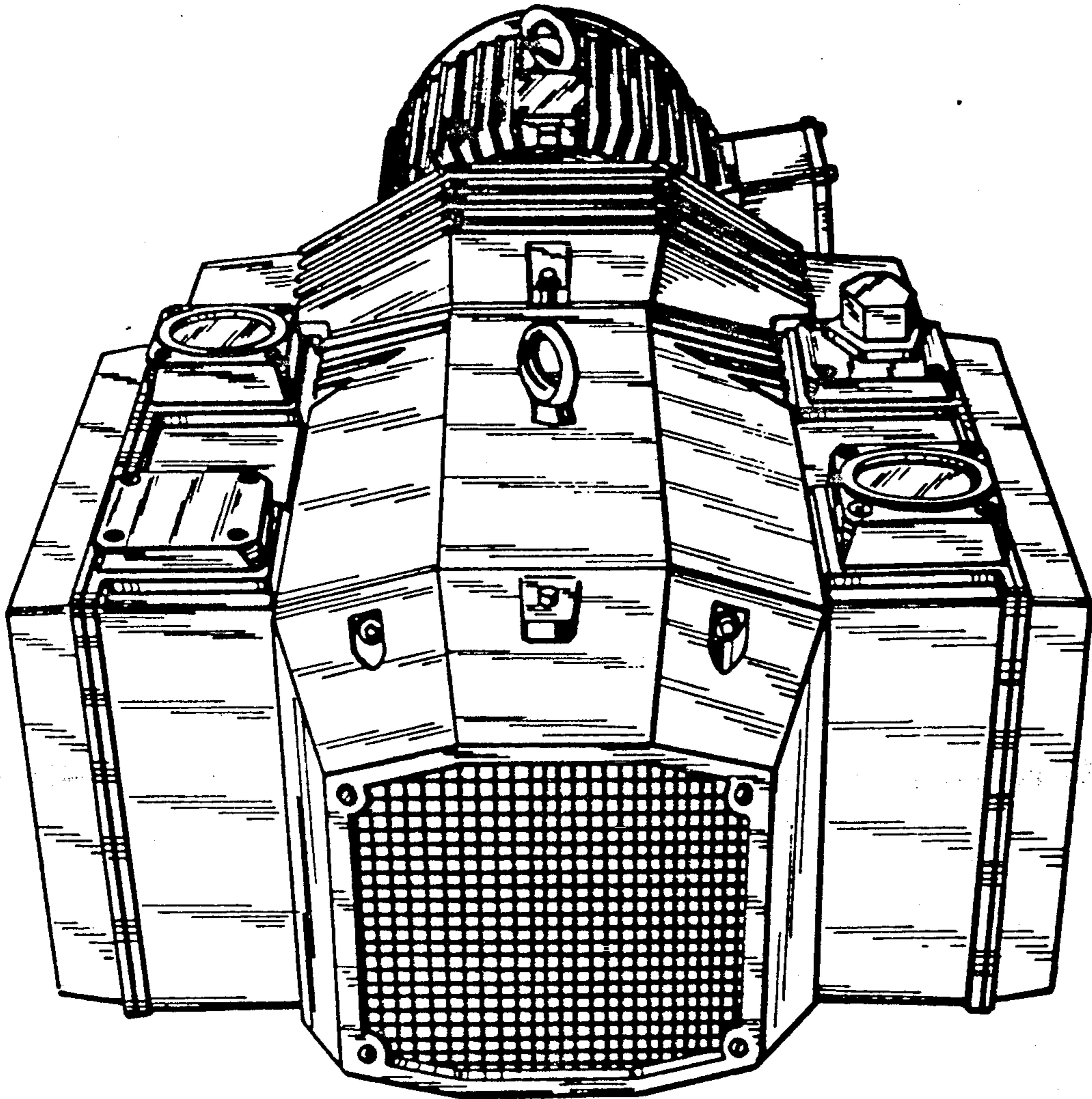
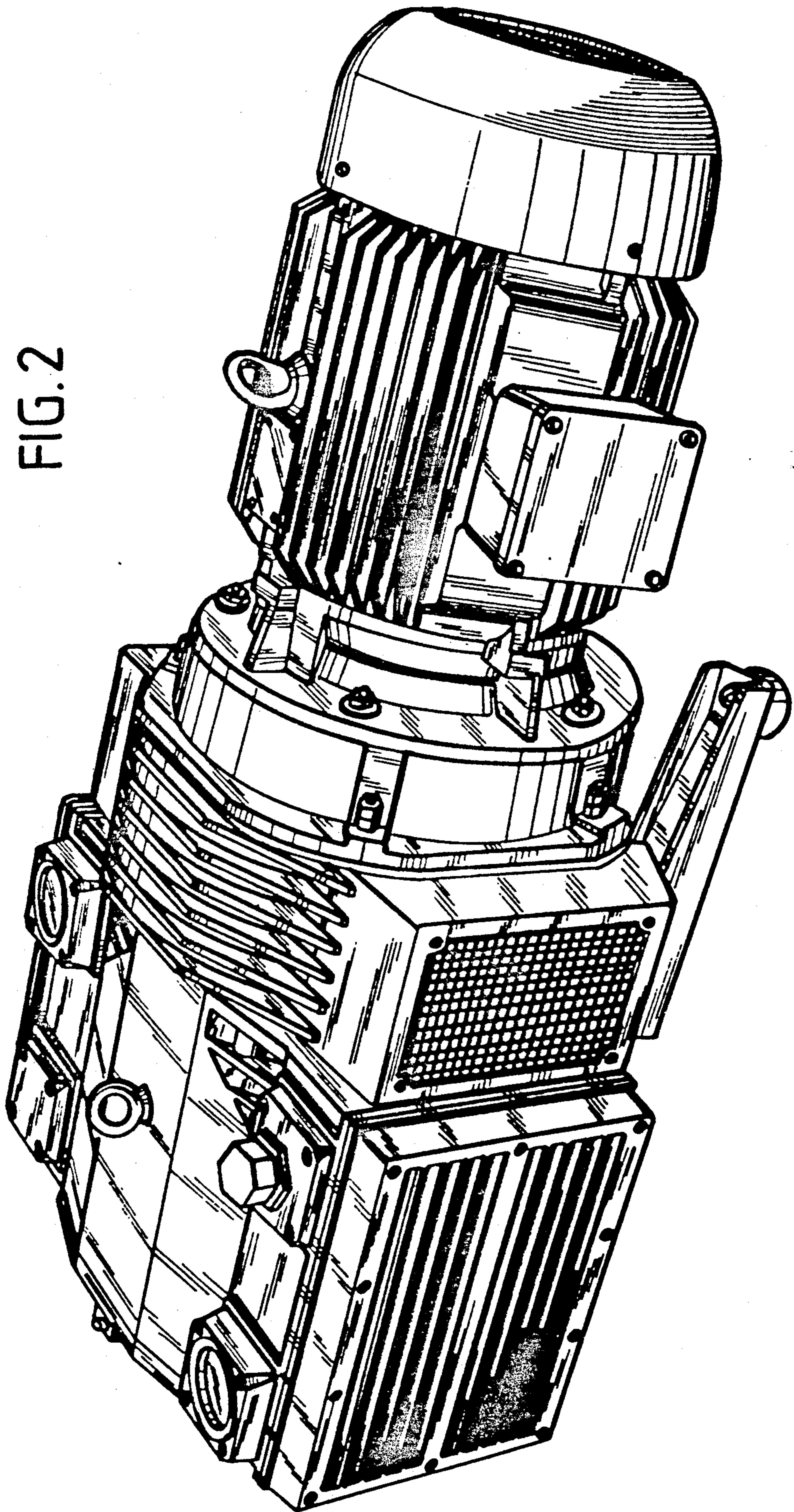


FIG.1



FIG. 2



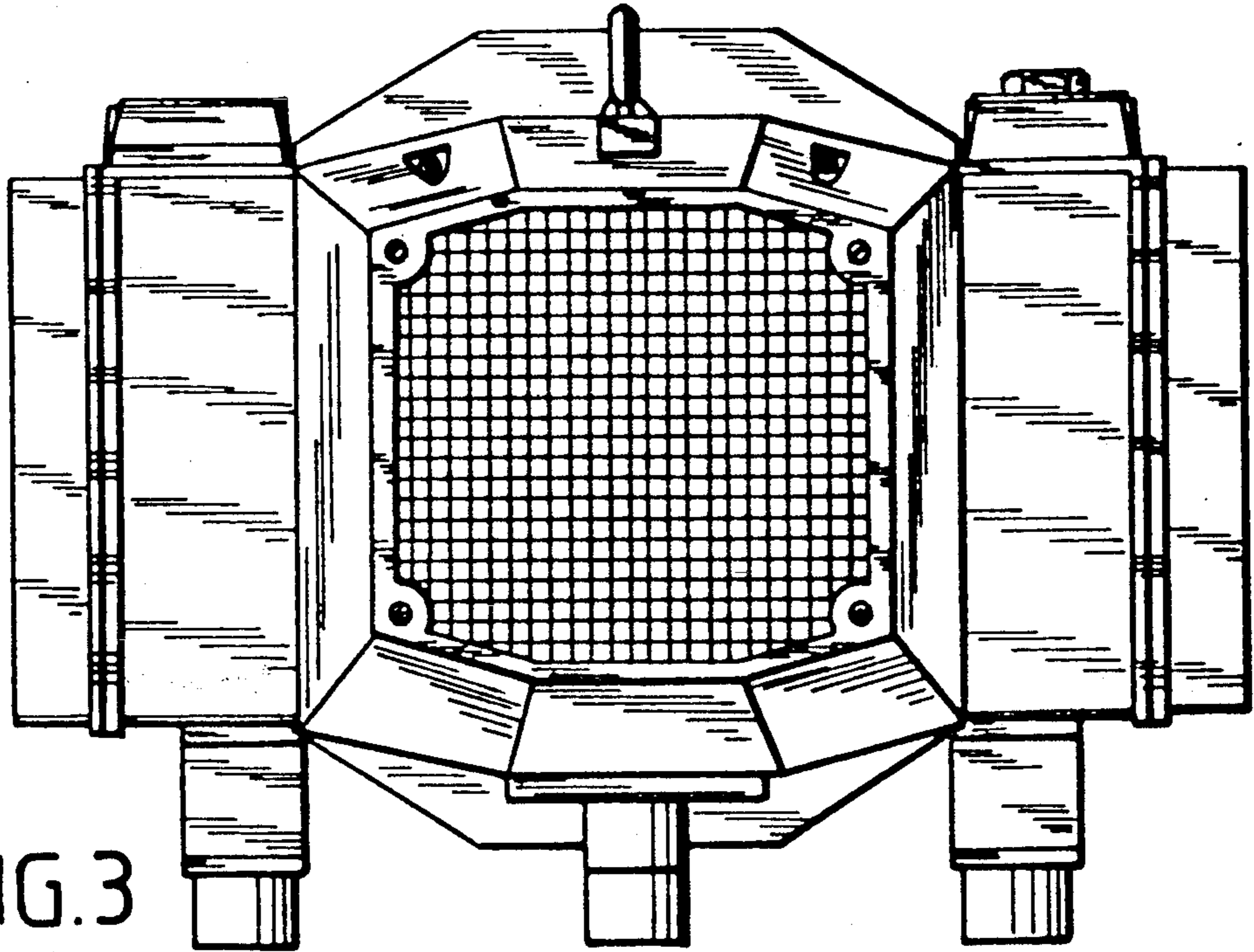


FIG. 3

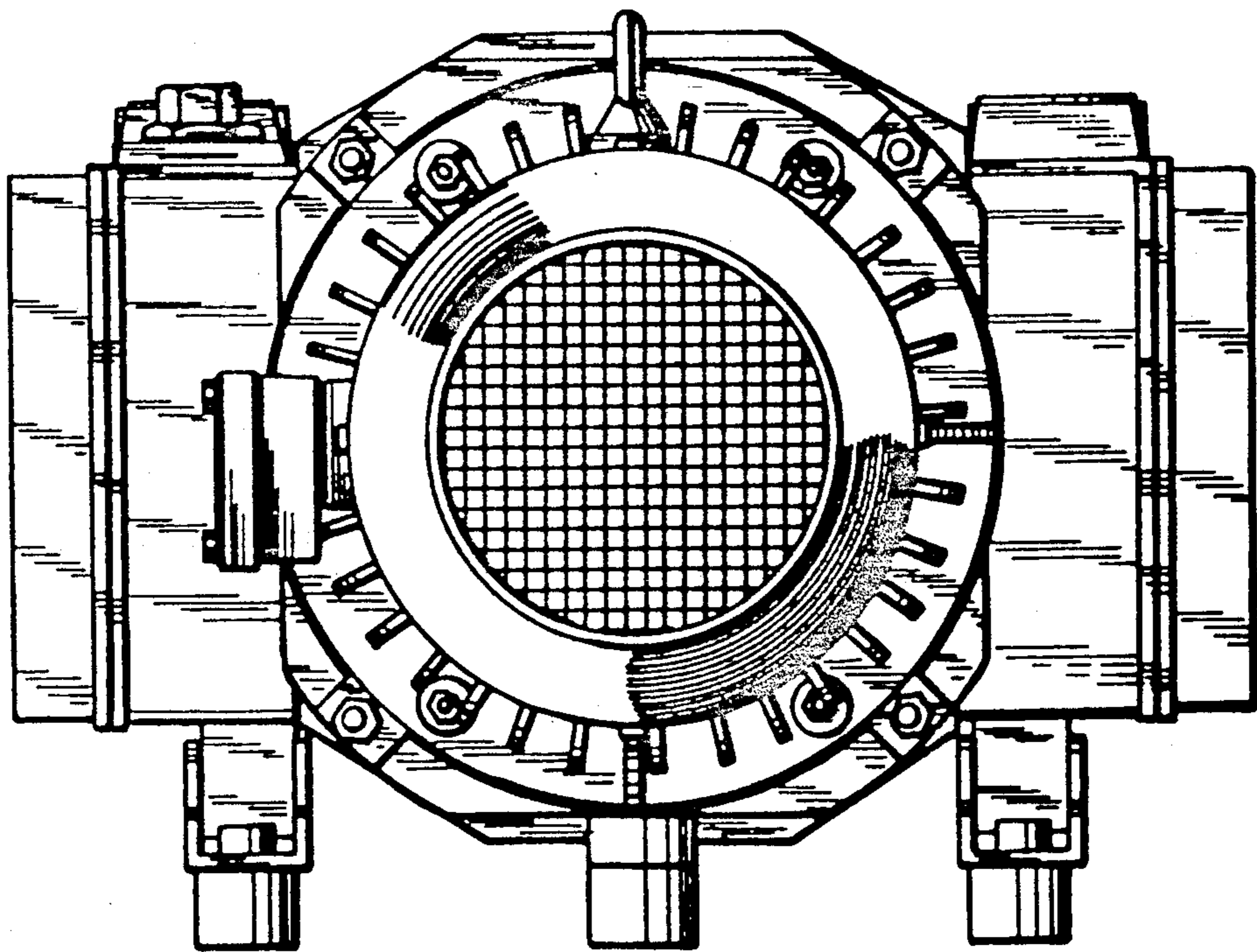


FIG. 4



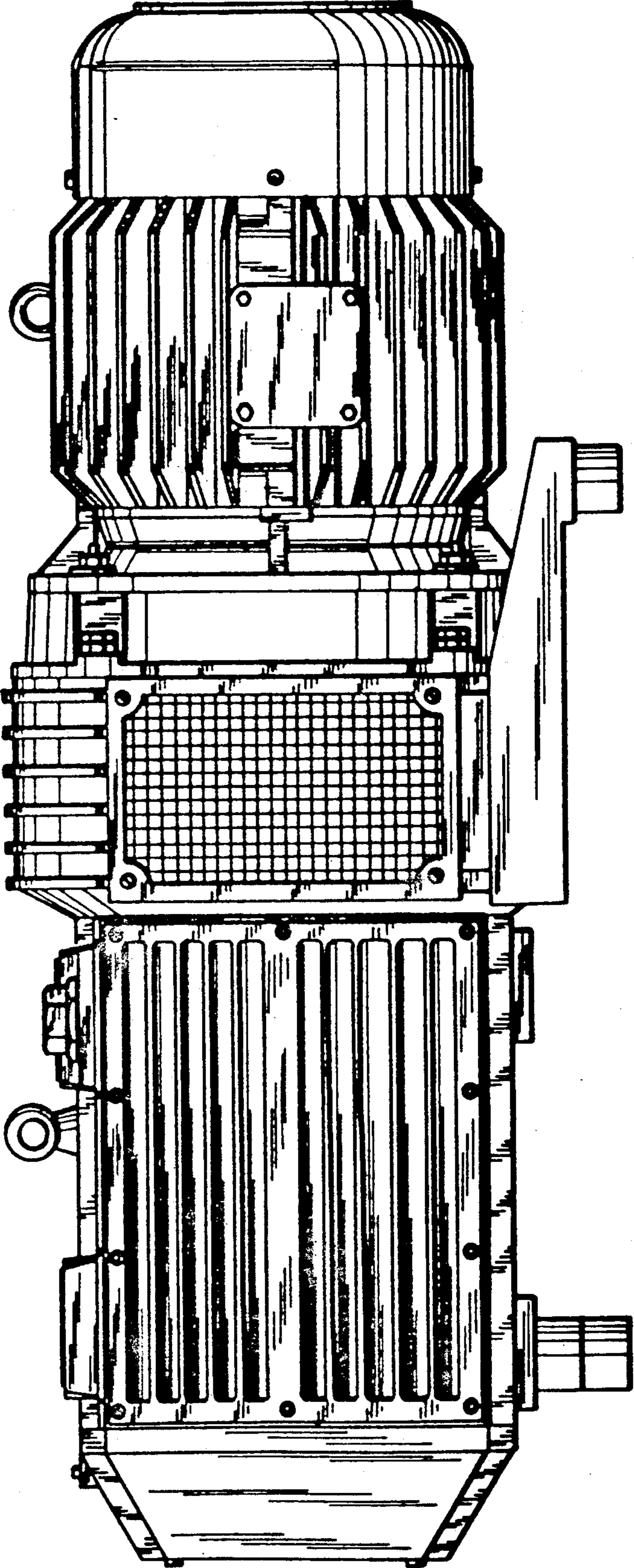


FIG. 5

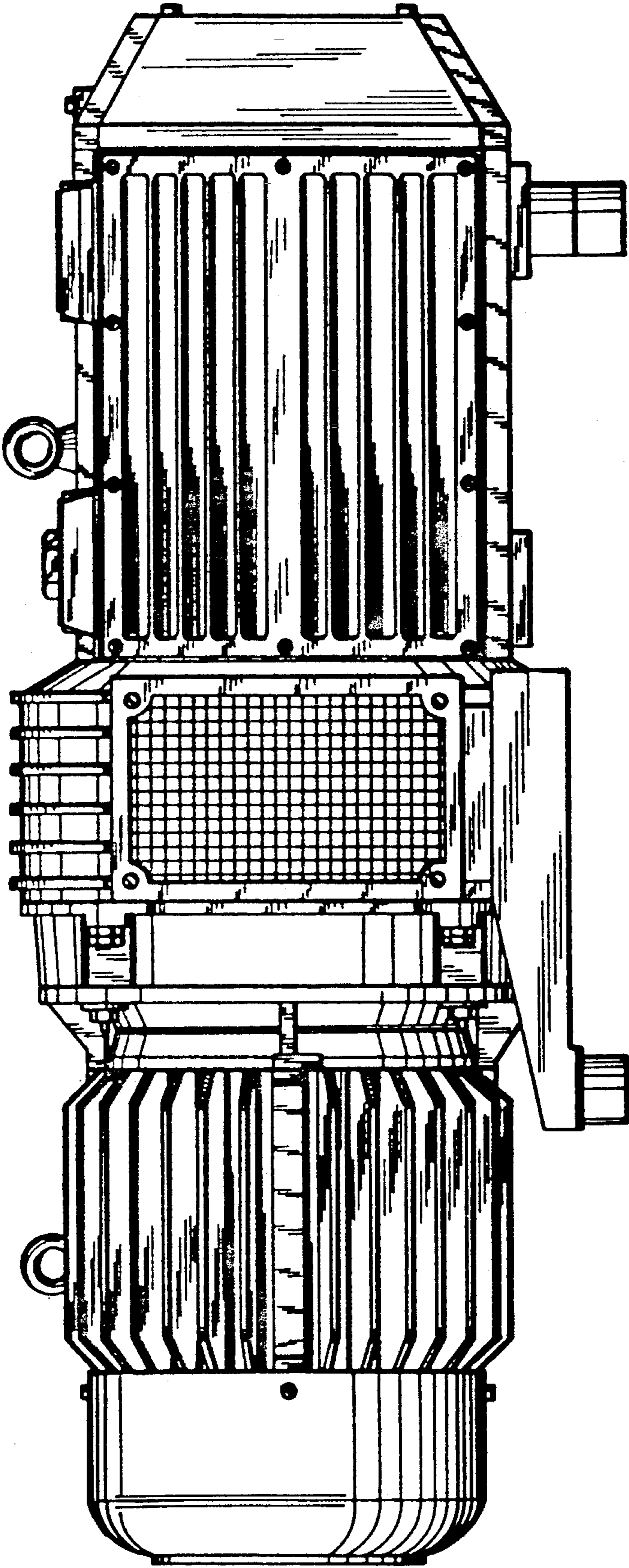


FIG.6

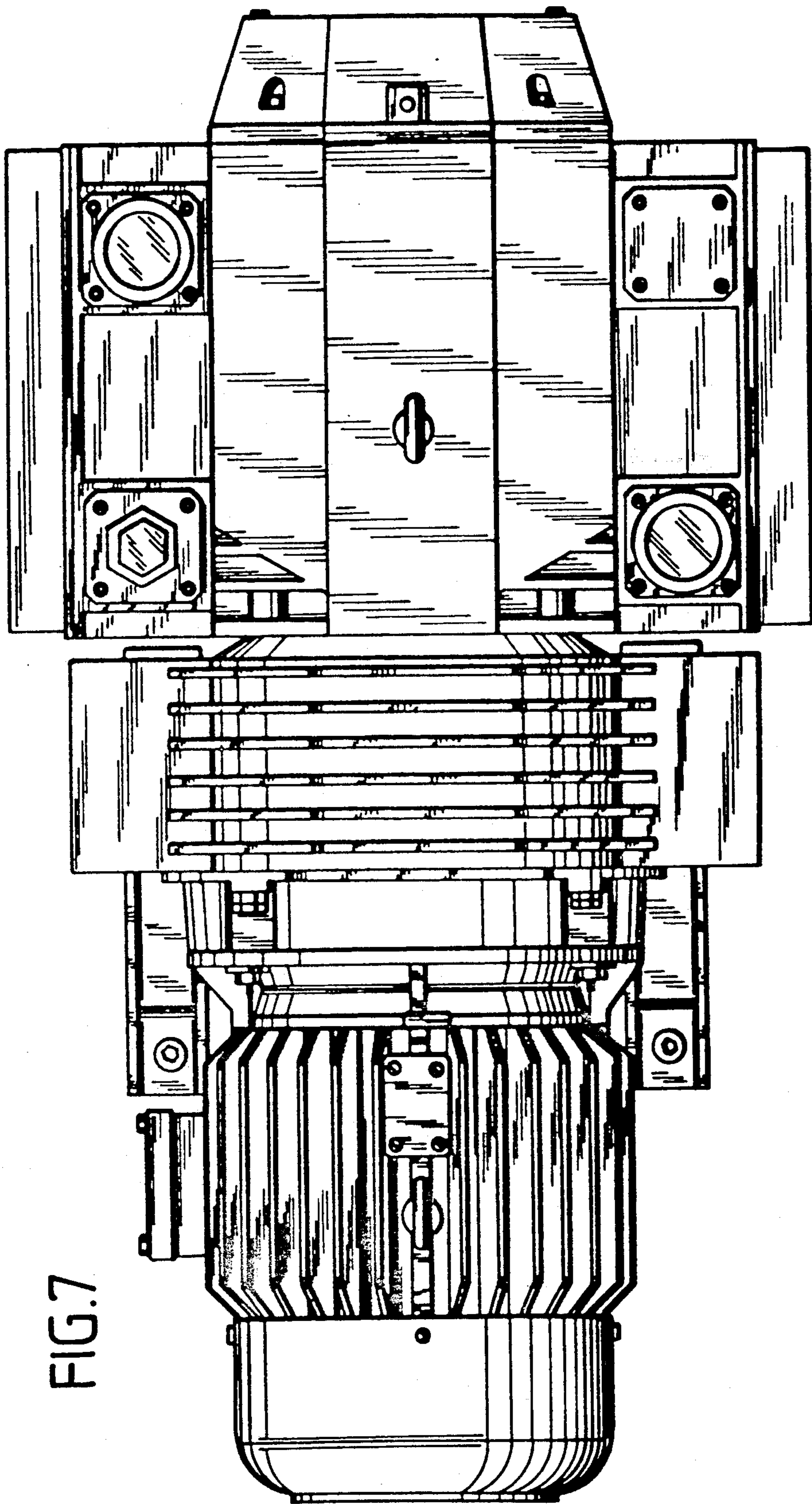


FIG. 7



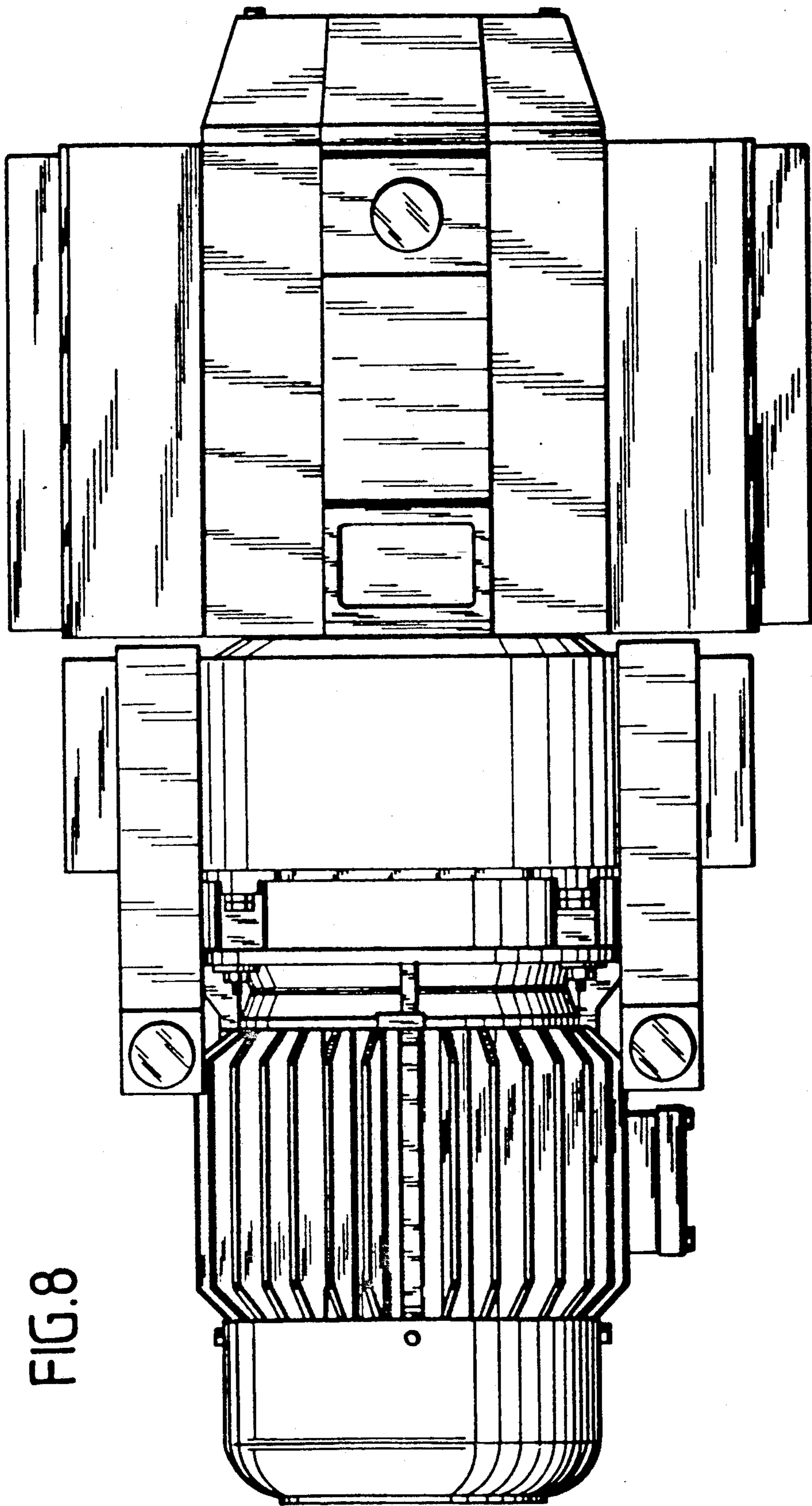


FIG. 8



UNITED STATES PATENT AND TRADEMARK OFFICE  
**CERTIFICATE OF CORRECTION**

PATENT NO. : Des. 328,304  
DATED : July 28, 1992  
INVENTOR(S) : Dieter FROHN et al.

It is certified that error appears in the above-identified patent and that said Letters Patent is hereby corrected as shown below:

On the title page, item [73], "Gerb." should read --Gebr.--.

Signed and Sealed this  
Nineteenth Day of March, 1996

*Attest:*



BRUCE LEHMAN

*Attesting Officer*

*Commissioner of Patents and Trademarks*