



US00D328302S

United States Patent [19]

[11] Patent Number: **Des. 328,302**

Murzanski et al.

[45] Date of Patent: **** Jul. 28, 1992**

[54] TELEPHONE HANDSET HANG-UP CUP OR SIMILAR ARTICLE

[75] Inventors: John P. Murzanski, Schaumburg; Allen Wong, Streamwood; Ernie Fluder, Hoffman Estates; Anthony Scianna, Sr., Morton Grove; Andrew W. Iu, Arlington Heights, all of Ill.

[73] Assignee: Motorola, Inc., Schaumburg, Ill.

[**] Term: 14 Years

[21] Appl. No.: 668,427

[22] Filed: Mar. 12, 1991

[52] U.S. Cl. D14/253

[58] Field of Search D14/253, 251; 279/428, 279/454, 455, 446; 248/221; 312/7.1

[56] References Cited

U.S. PATENT DOCUMENTS

D. 187,849	3/1950	Dreyfuss	D14/253
D. 209,967	1/1968	Clearman	D14/253
D. 216,641	2/1970	Phillips	D14/253
D. 227,264	6/1973	Kennedy	D14/253

D. 229,944	1/1974	Eddy	D14/253
D. 276,809	12/1984	Taylor	D14/253
D. 317,157	5/1991	Jondelius	D14/253
D. 320,991	10/1991	Nagi et al.	D14/251
D. 321,885	11/1991	Sheldrake	D14/253
2,987,585	6/1961	Abusalh	179/146
4,472,606	9/1984	Krolopp et al.	179/146 R

Primary Examiner—Horace B. Fay, Jr.

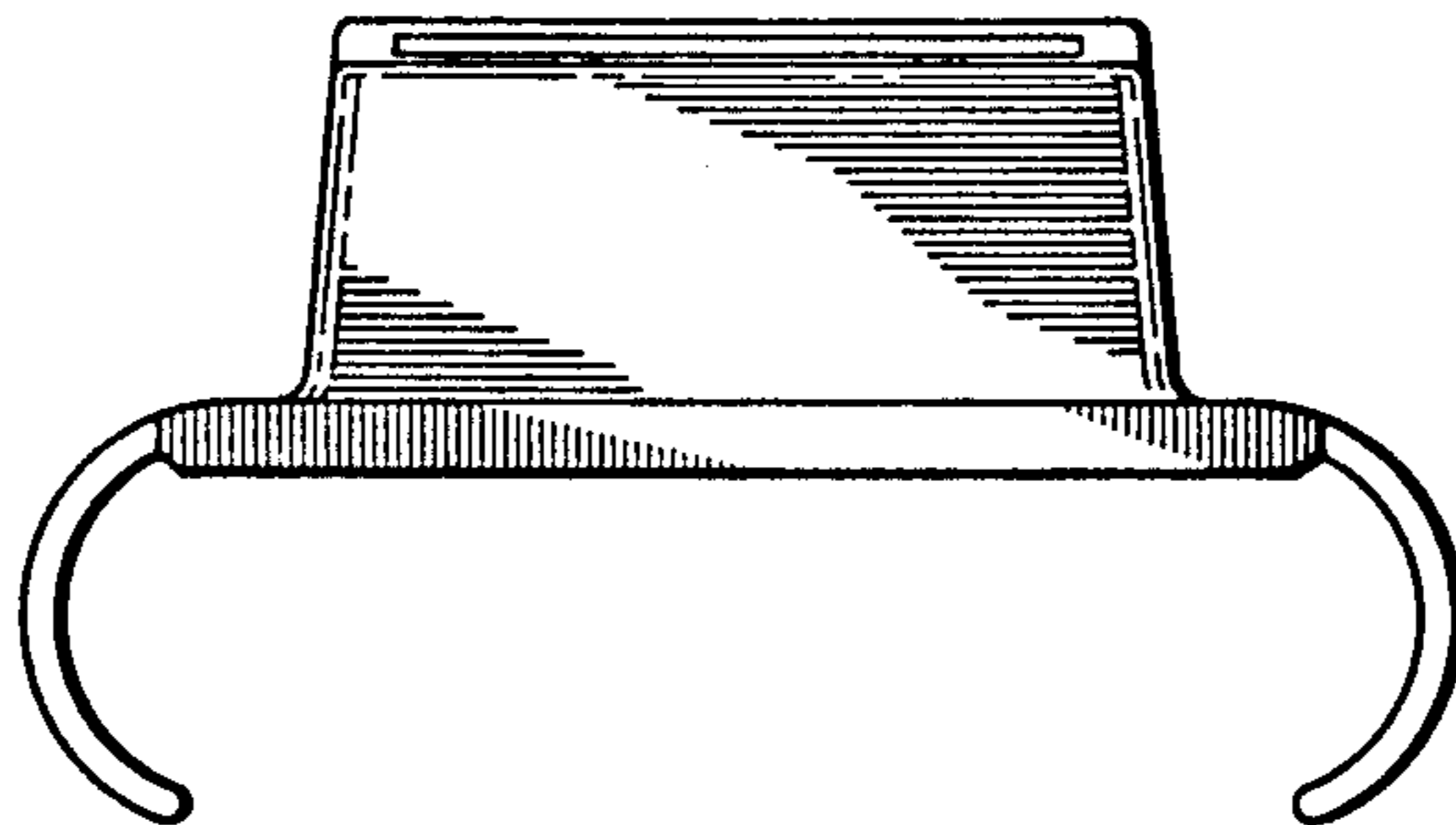
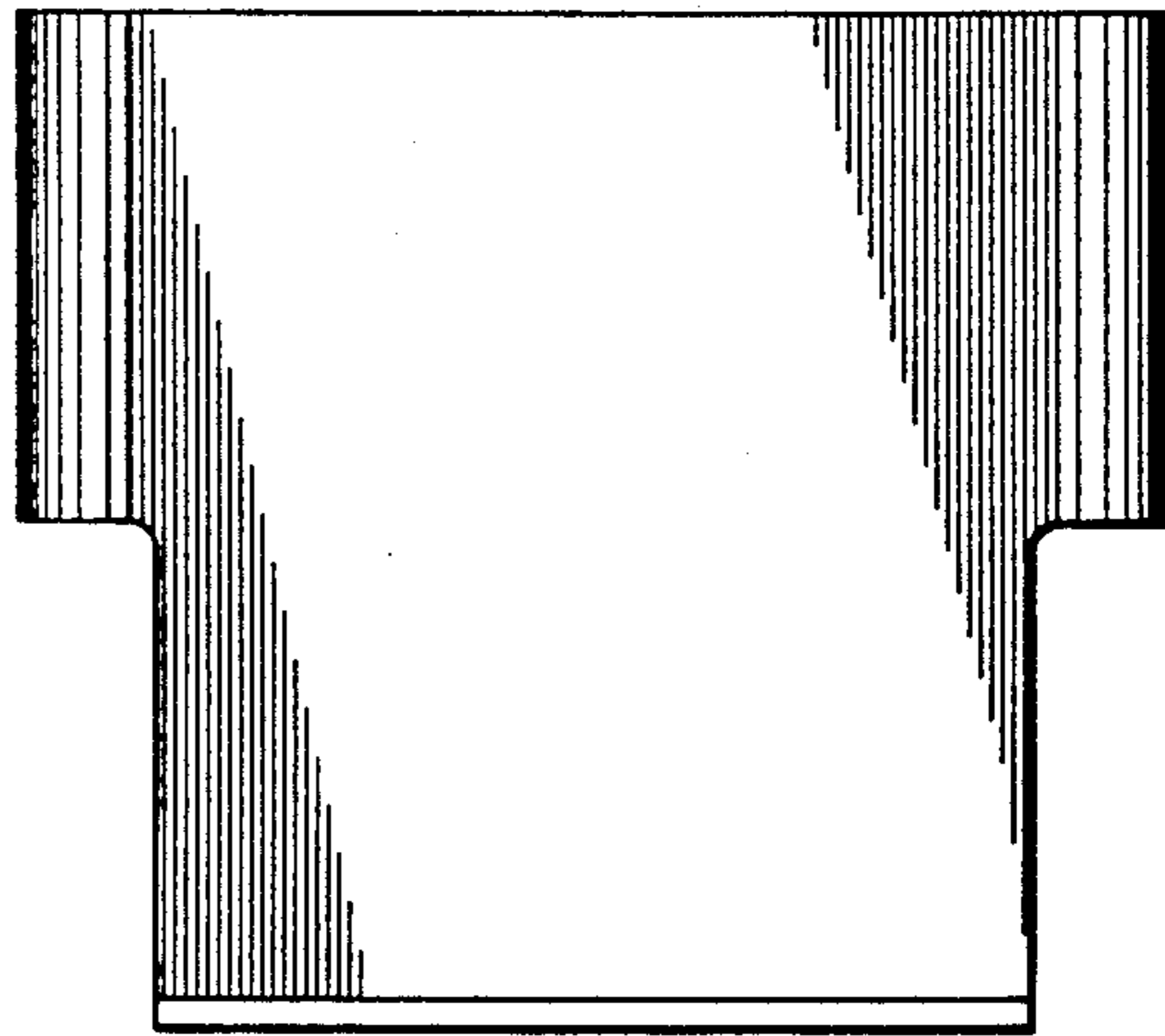
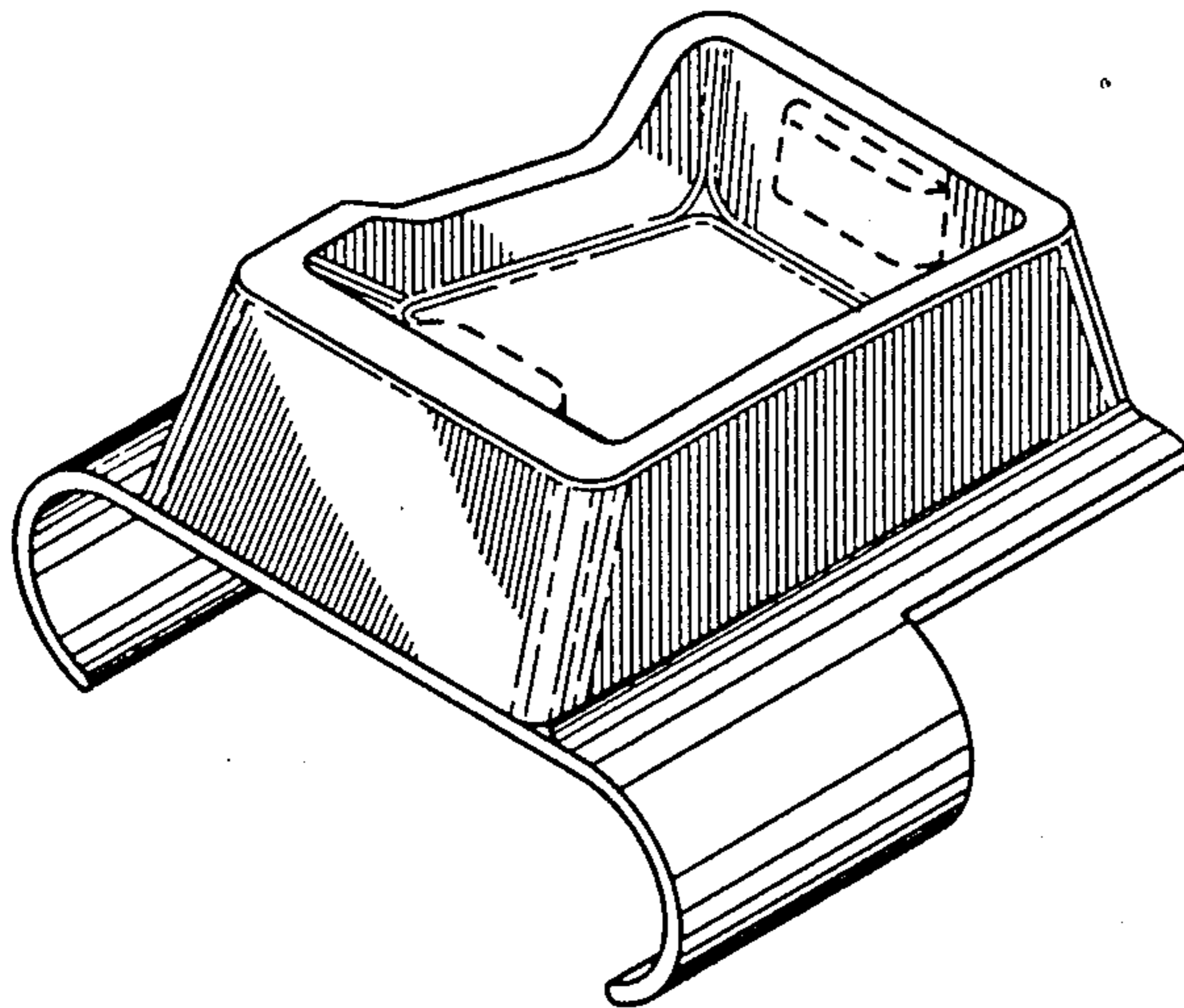
Attorney, Agent, or Firm—Kenneth W. Bolvin

[57] CLAIM

The ornamental design for a telephone handset hang-up cup or similar article, substantially as shown and described.

DESCRIPTION

FIG. 1 is a front, top and right side perspective view of a telephone handset hang-up cup or similar article showing our new design with environmental structure on broken lines for illustrative purposes only; FIG. 2 is a left side elevational view thereof; FIG. 3 is a rear elevational view thereof; and, FIG. 4 is a bottom plan view thereof. The broken line showing in FIG. 1 is for illustrative purposes only and forms no part of the claimed design.



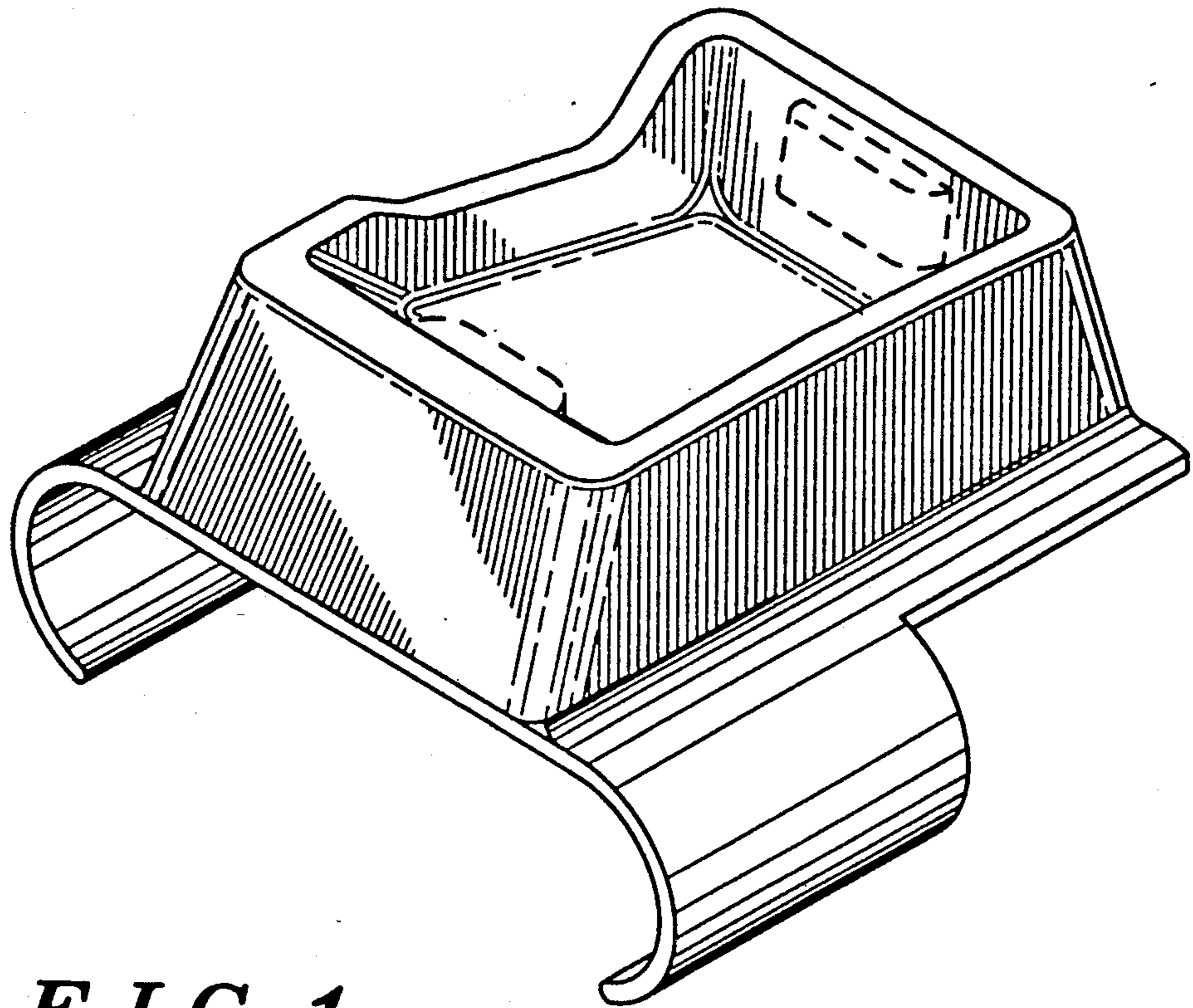


FIG. 1

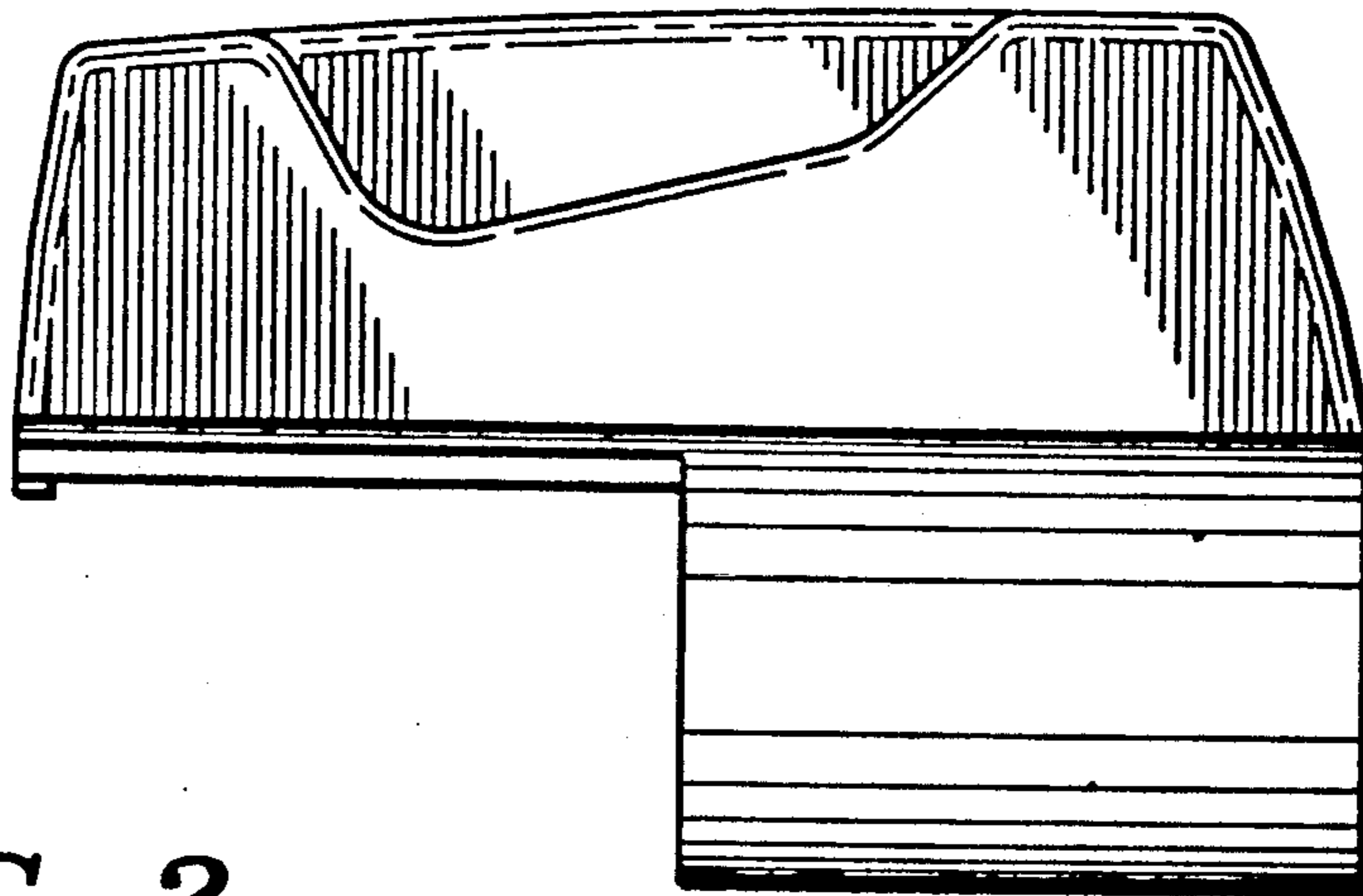


FIG. 2

FIG. 3

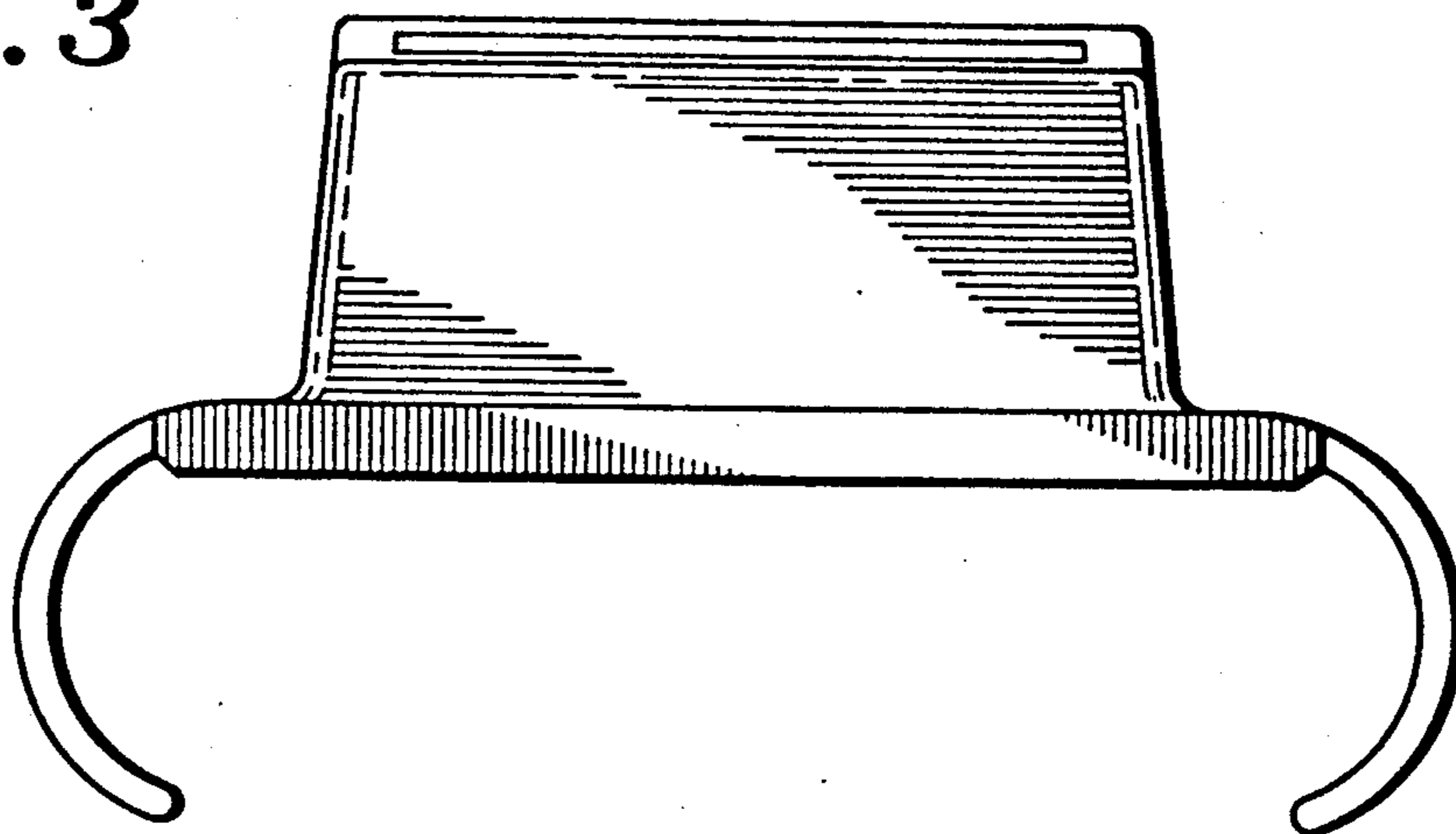
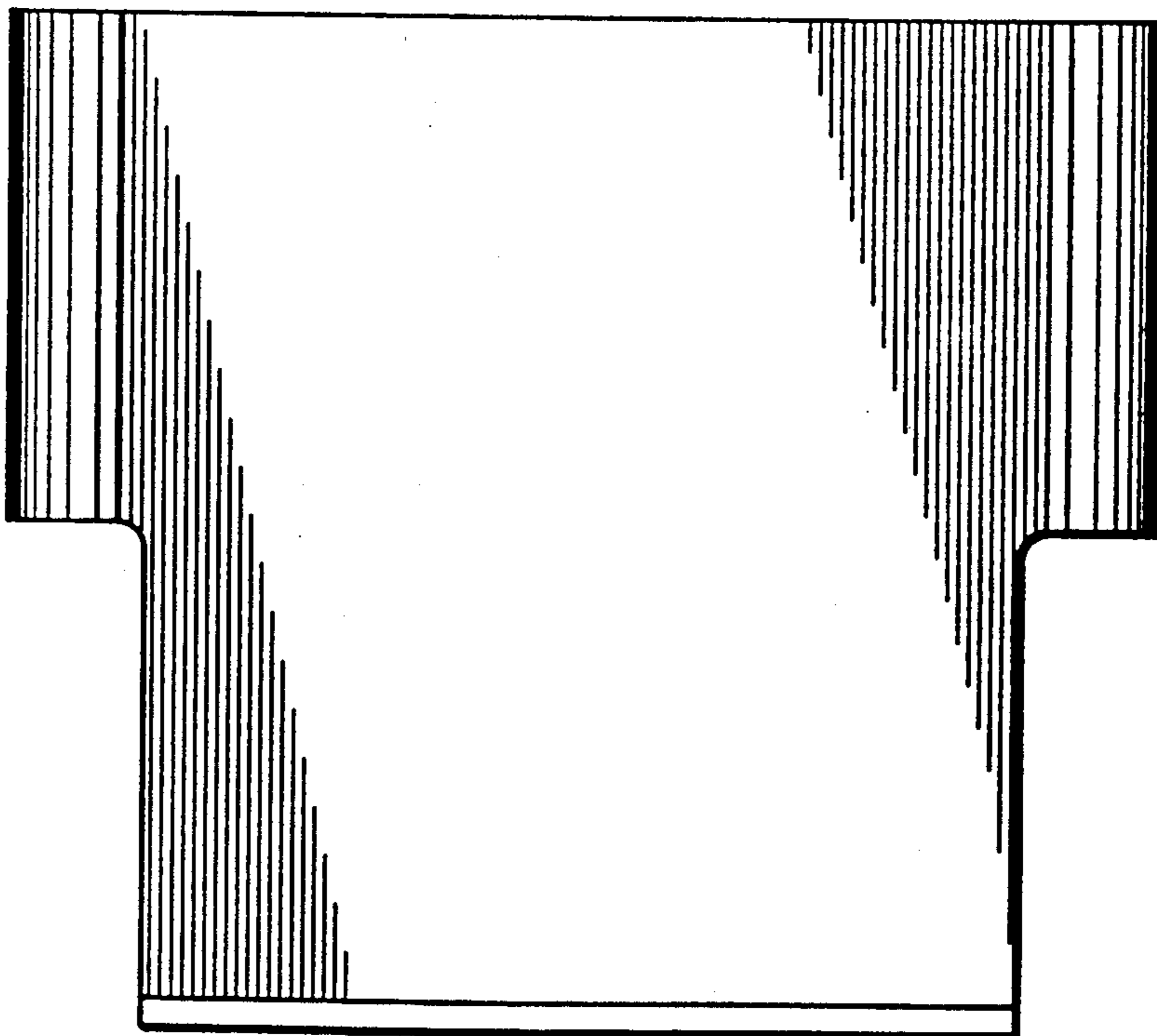


FIG. 4



UNITED STATES PATENT AND TRADEMARK OFFICE
CERTIFICATE OF CORRECTION

PATENT NO. : D 328,302

DATED : July 28, 1992

INVENTOR(S) : John P. Murzanski et al.

It is certified that error appears in the above-identified patent and that said Letters Patent is hereby corrected as shown below:

On the title page: Item [75]:

Please correct the spelling of inventor Andrew W. "Iu" to --Andrew W. Ill--.

Signed and Sealed this
Tenth Day of August, 1993

Attest:



MICHAEL K. KIRK

Attesting Officer

Acting Commissioner of Patents and Trademarks