



US00D328300S

United States Patent [19]

[11] Patent Number: Des. 328,300

Hattori et al.

[45] Date of Patent: ** Jul. 28, 1992

[54] EXTENSION RINGING CONSOLE
APPARATUS FOR TELEPHONE SETS

[75] Inventors: Akiyoshi Hattori; Masanori Suzuki,
both of Kawasaki, Japan

[73] Assignee: Nitsuko Corporation, Japan

[**] Term: 14 Years

[21] Appl. No.: 603,856

[22] Filed: Oct. 26, 1990

[30] Foreign Application Priority Data

May 25, 1990 [JP] Japan 2-17336

[52] U.S. Cl. D14/241

[58] Field of Search D14/240, 241, 151;
379/440, 428

[56] References Cited

U.S. PATENT DOCUMENTS

- D. 212,230 7/1968 Kamp D14/241
- D. 232,563 8/1974 Manchese D14/241
- D. 266,086 7/1982 Fuggia et al. D14/241

- D. 267,173 12/1982 Geongopulos D14/241
- D. 271,763 12/1983 Brown et al. D14/241
- D. 272,439 1/1984 Gibson D14/241
- D. 277,477 2/1985 Fuggia et al. D14/241
- D. 282,745 2/1986 Brown D14/241
- D. 294,499 3/1988 Yamagishi D14/62
- D. 300,028 2/1989 To D14/151
- D. 307,588 5/1990 Barker et al. D14/151

Primary Examiner—Horace B. Fay, Jr.
Attorney, Agent, or Firm—Leydig, Voit & Mayer

[57] CLAIM

The ornamental design for an extension ringing console apparatus for telephone sets, as shown and described.

DESCRIPTION

FIG. 1 is a front, top and right side perspective view of an extension ringing console for telephone sets; FIGS. 2 and 3 are respectively front and rear elevational views thereof; FIGS. 4 and 5 are left and right side elevational views thereof; and, FIGS. 6 and 7 are respectively top and bottom plan views thereof.

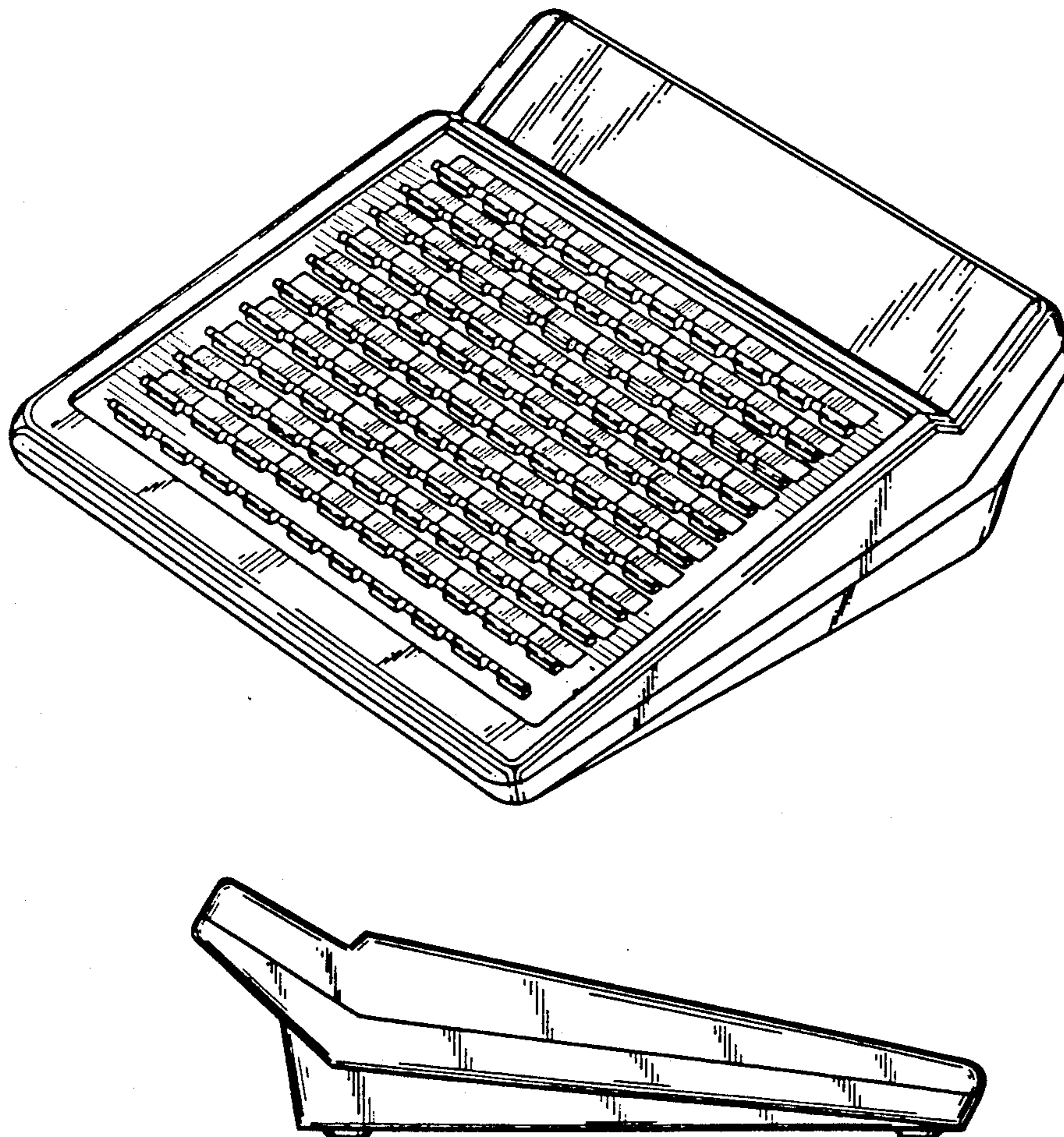


Fig. 1

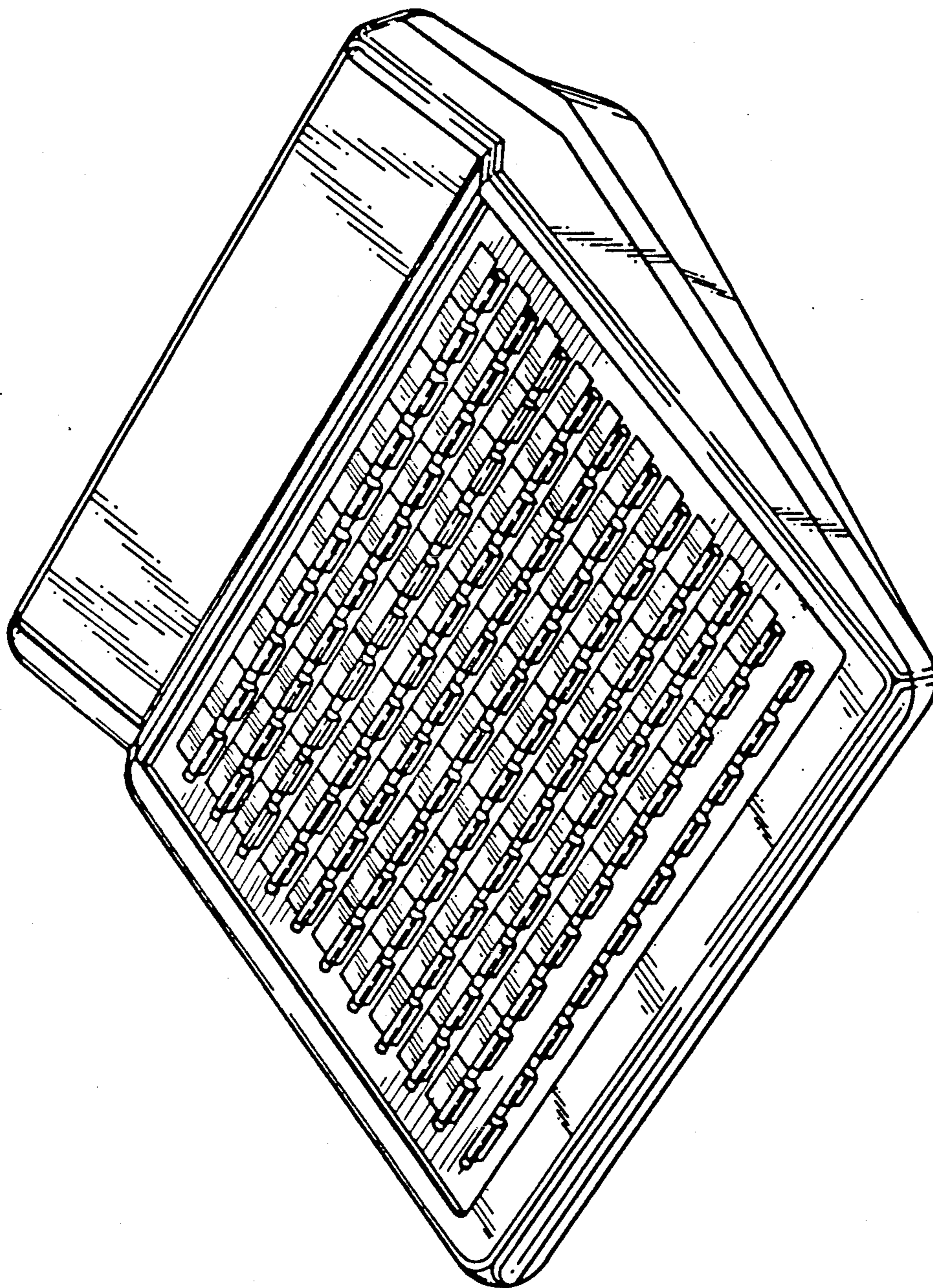


Fig. 2

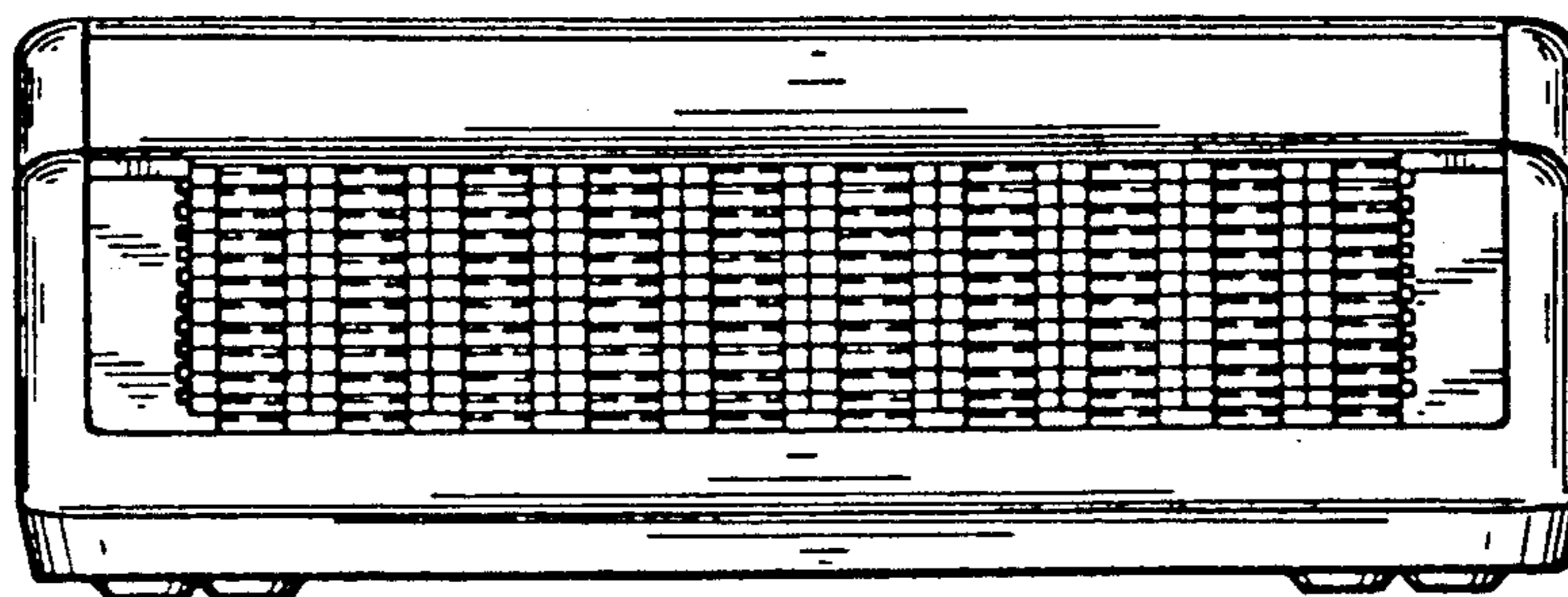


Fig. 3

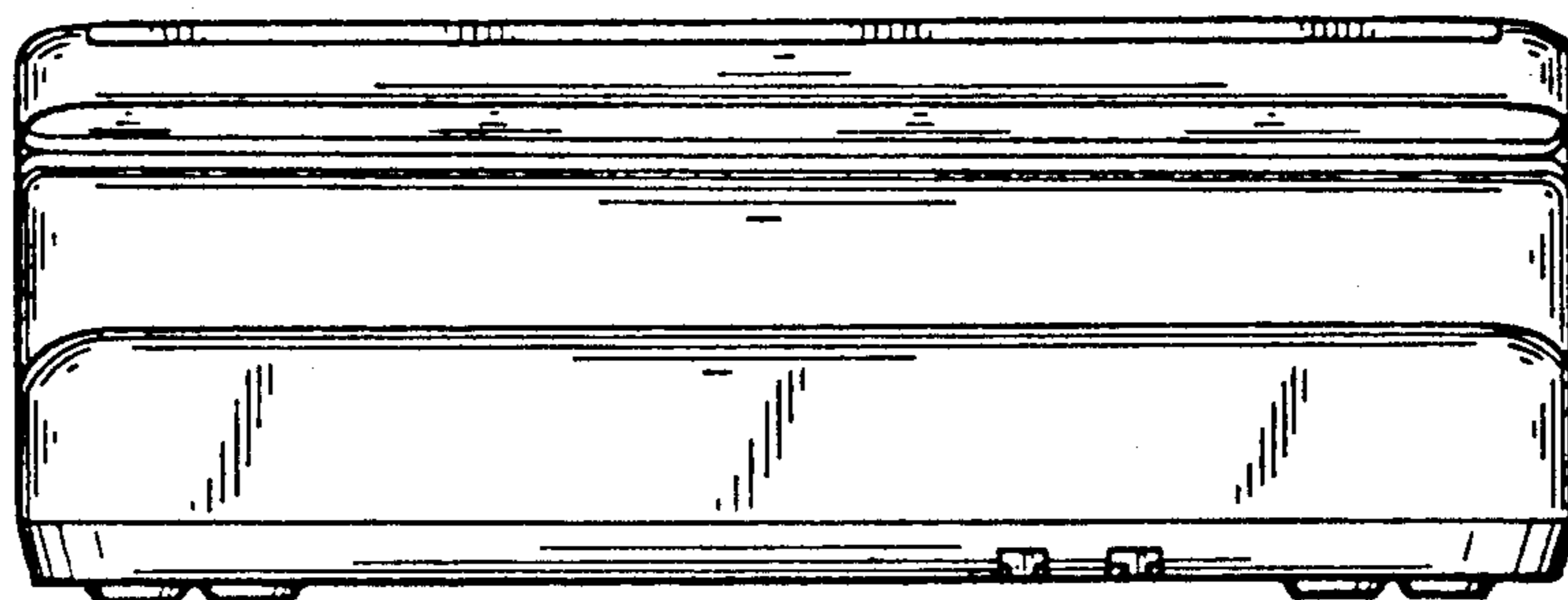


Fig. 4

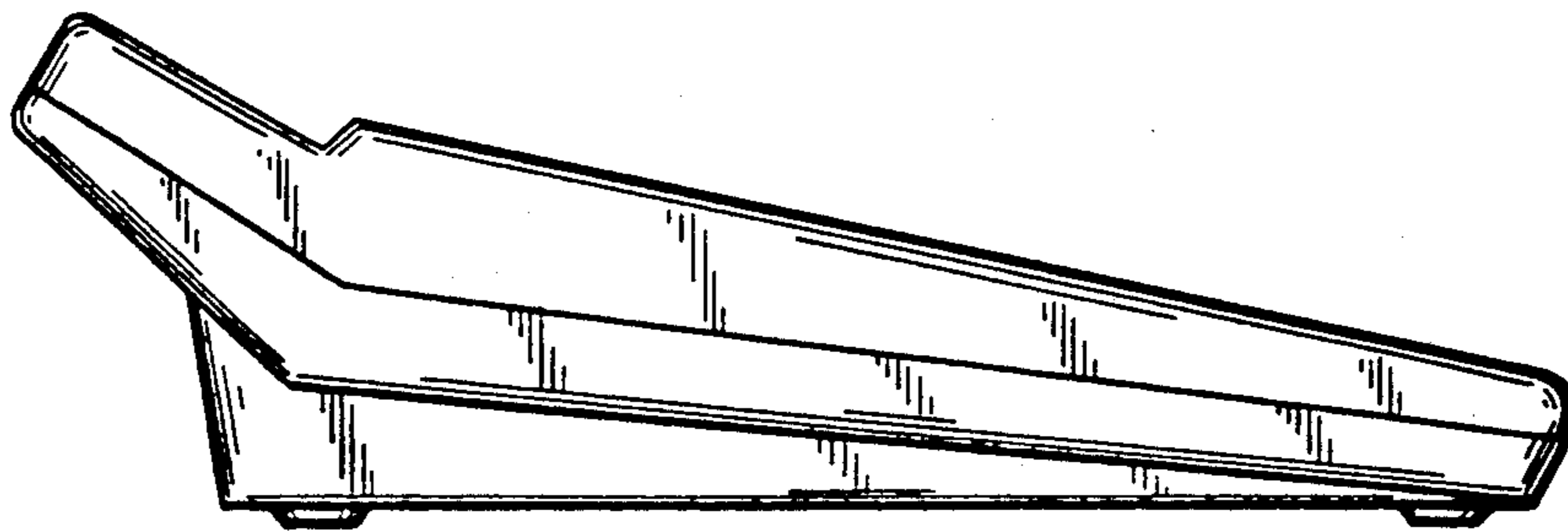


Fig. 5

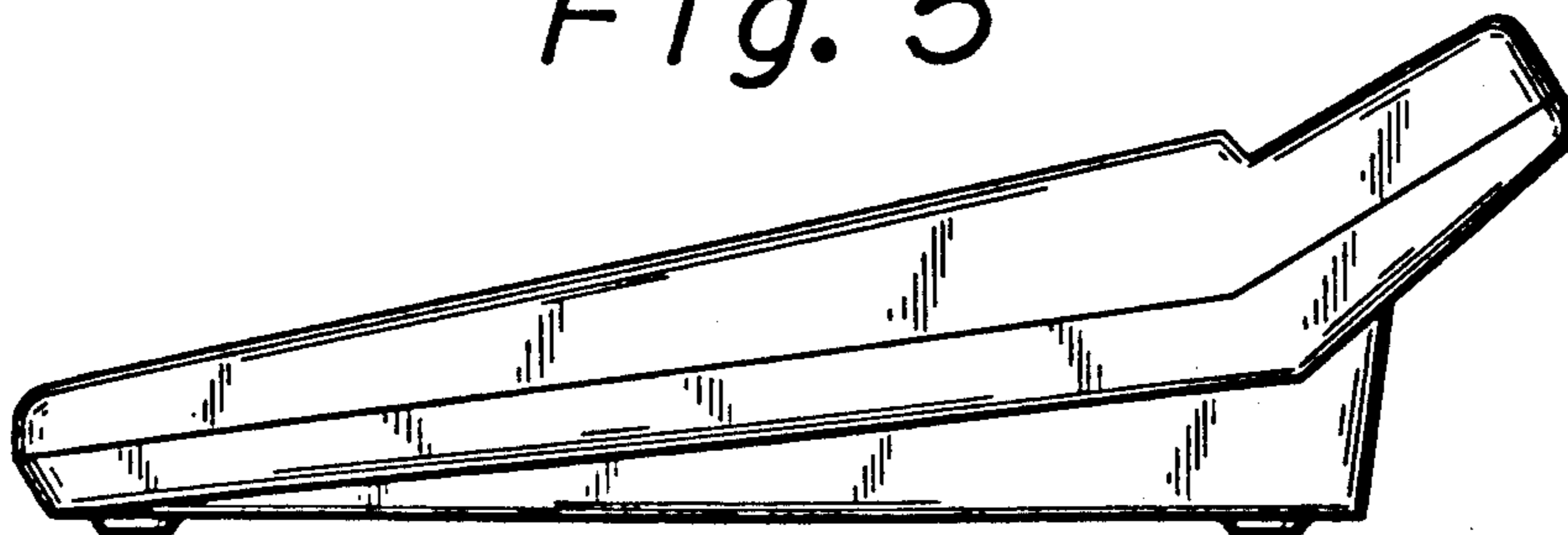


Fig. 6

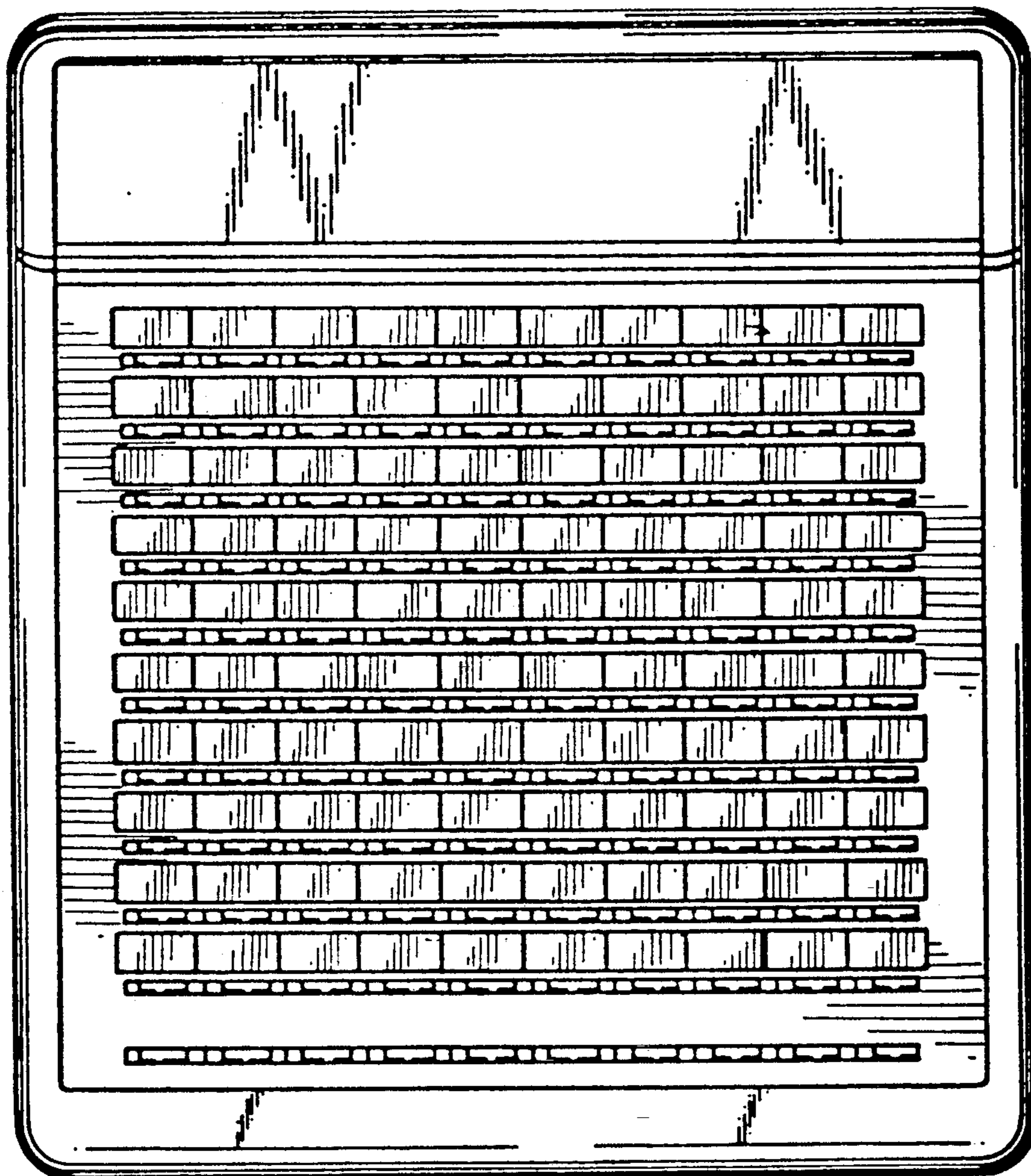


Fig. 7

