



US00D328296S

United States Patent [19] Yan

[11] Patent Number: **Des. 328,296**

[45] Date of Patent: **** Jul. 28, 1992**

[54] TELEPHONE BASE UNIT

[76] Inventor: **Mao-Ye Yan**, 6th Floor, Yiko Industrial Building, 10 Ka Yip Street, Chaiwan, Hong Kong

[**] Term: **14 Years**

[21] Appl. No.: **684,370**

[22] Filed: **Apr. 12, 1991**

[52] U.S. Cl. **D14/151**

[58] Field of Search **D14/140, 142, 151, 241; 379/436, 440, 432**

- D. 308,059 5/1990 Desbarts D14/149 X
- D. 318,051 7/1991 Danielson et al. D14/142
- D. 319,641 9/1991 Sugi et al. D14/241 X
- D. 319,826 9/1991 Hung D14/142

Primary Examiner—Horace B. Fay, Jr.
Attorney, Agent, or Firm—Burns, Doane, Swecker & Mathis

[57] **CLAIM**

The ornamental design for a telephone base unit, as shown and described.

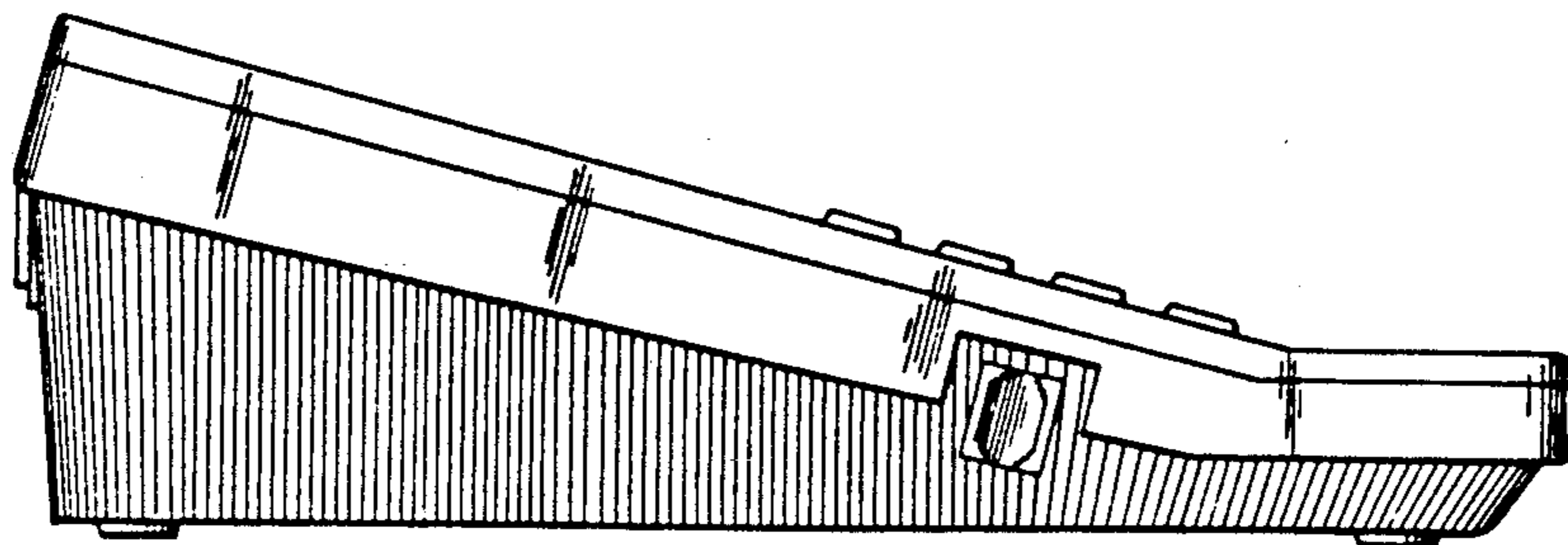
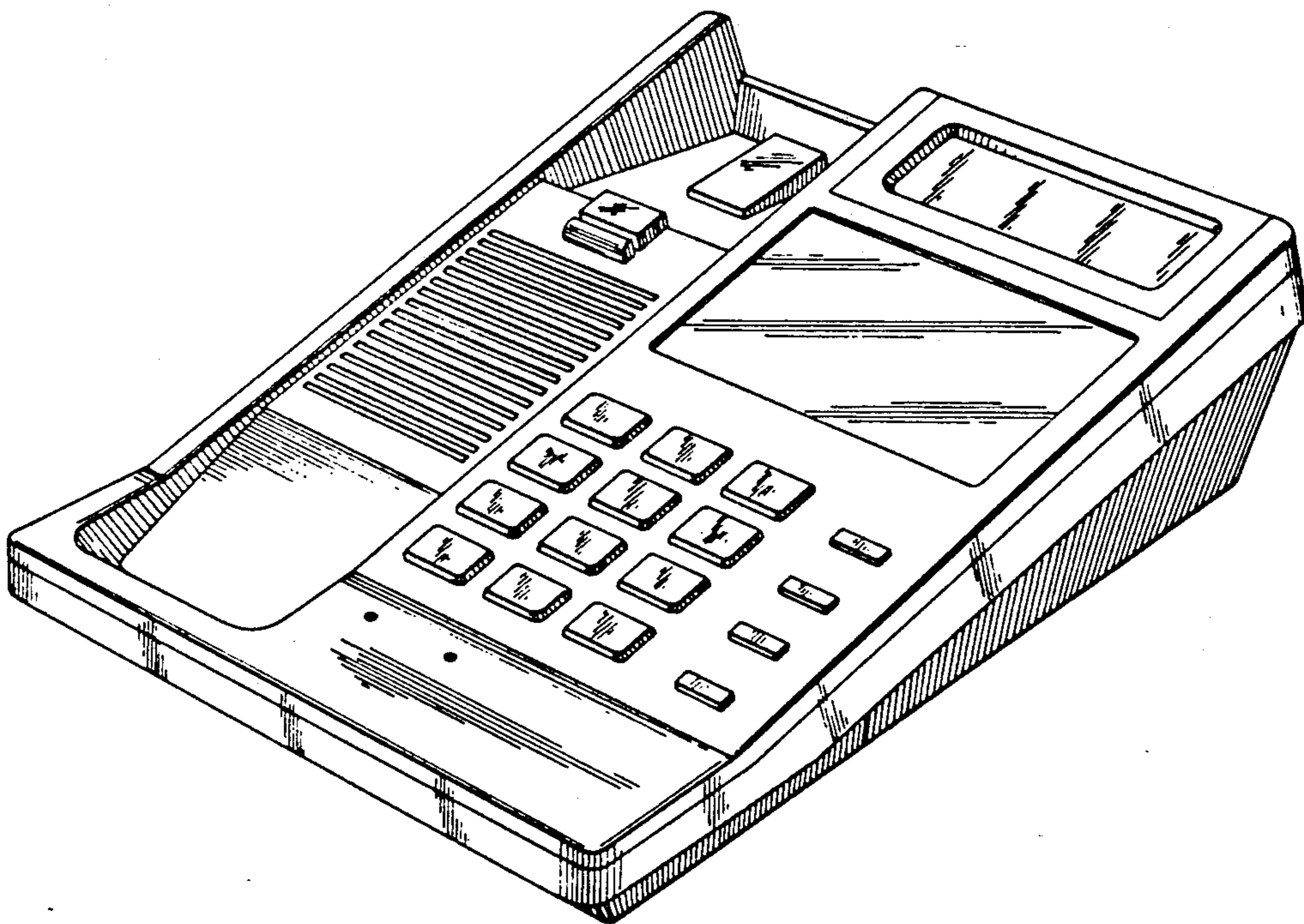
DESCRIPTION

FIG. 1 is a front, top and right side perspective view of a telephone base unit showing my new design; FIG. 2 is a front elevational view thereof; FIG. 3 is the rear elevational view thereof; FIG. 4 is the left side view thereof; FIG. 5 is the right side view thereof; FIG. 6 is the top plan view thereof; and, FIG. 7 is the bottom view thereof.

[56] **References Cited**

U.S. PATENT DOCUMENTS

- D. 265,089 6/1982 Bee D14/151
- D. 280,988 10/1985 Williams D14/151
- D. 282,840 3/1986 Marshall D14/151
- D. 285,803 9/1986 Leone D14/151
- D. 303,114 7/1989 Danielson et al. D14/149 X
- D. 307,430 4/1990 Desbarts D14/149 X



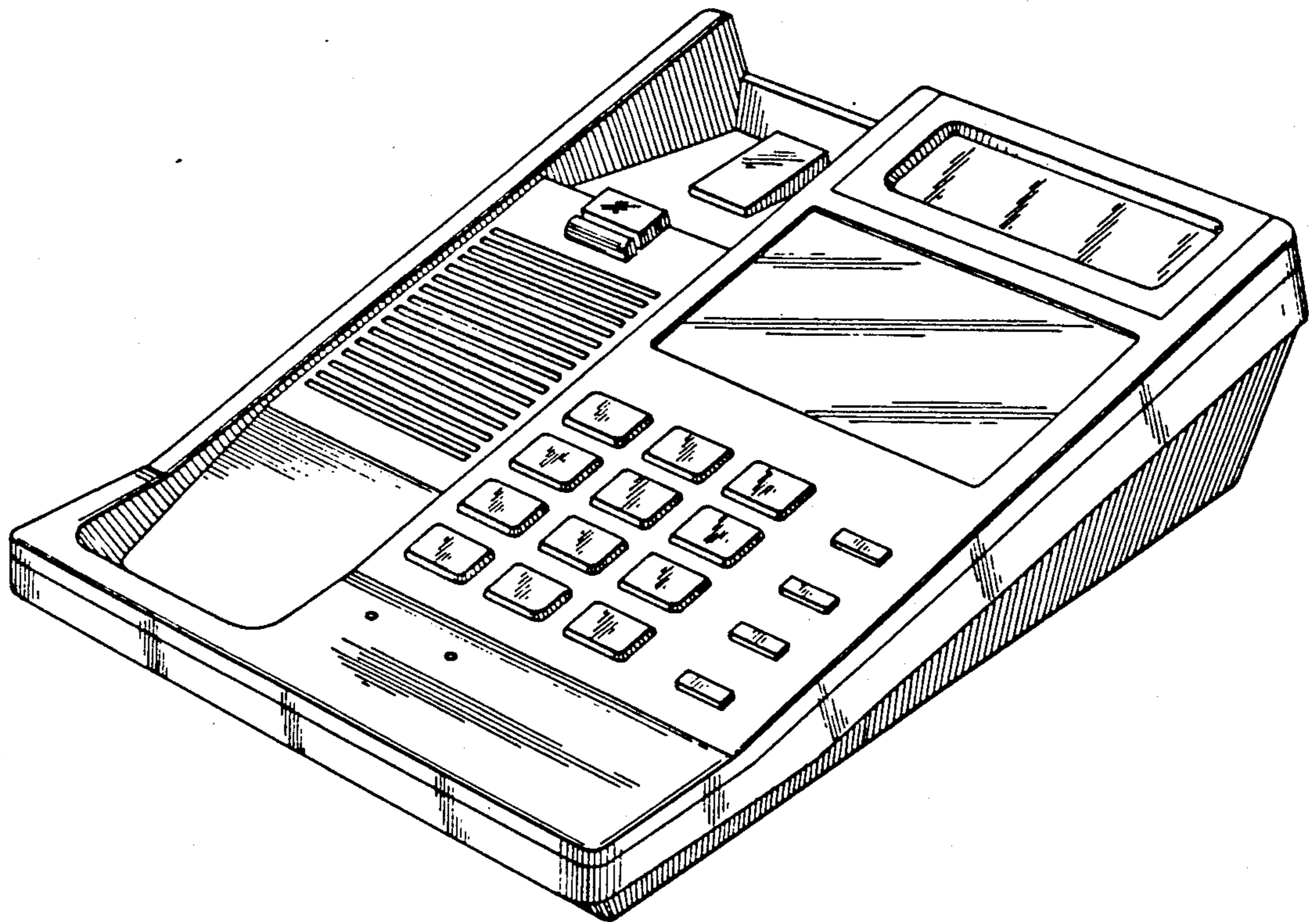


FIG. 1

Fig. 2

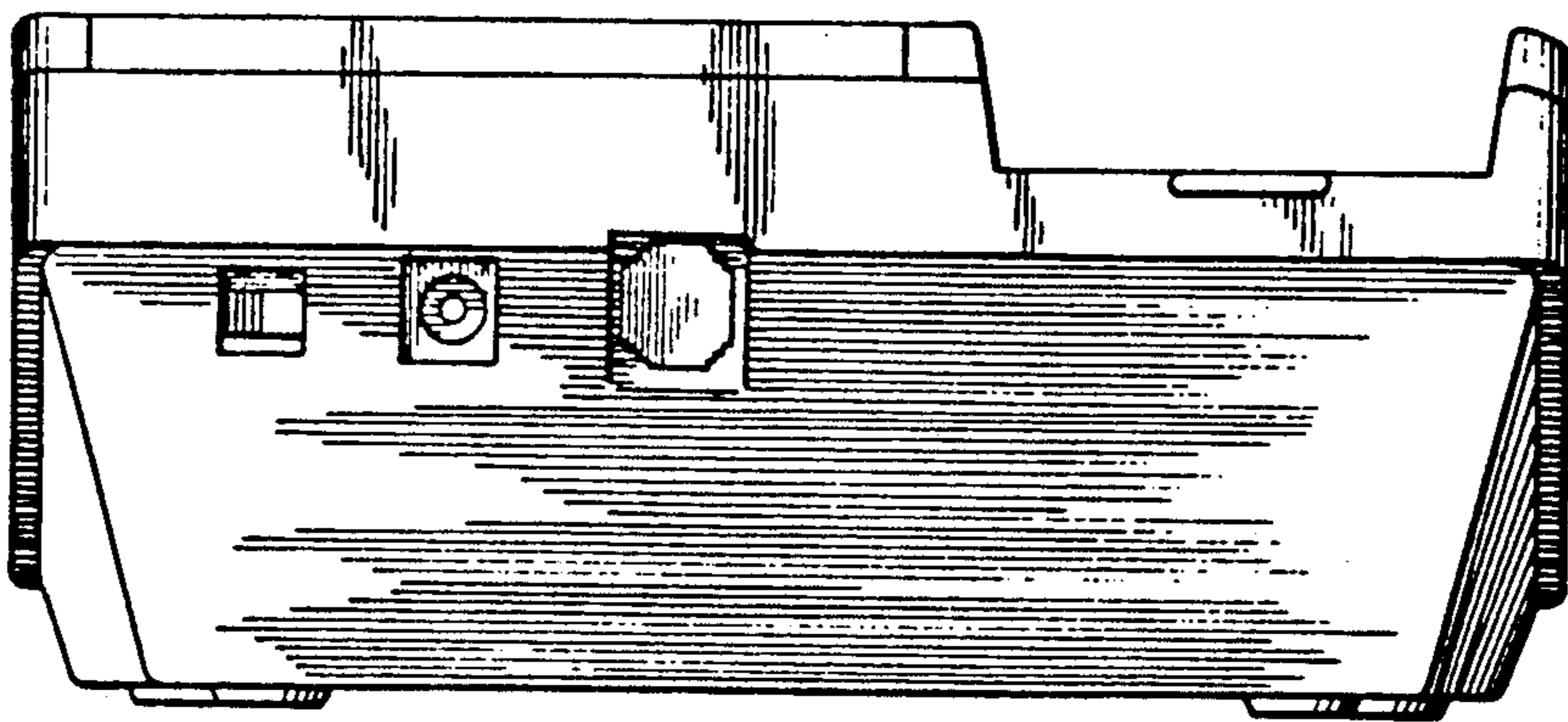
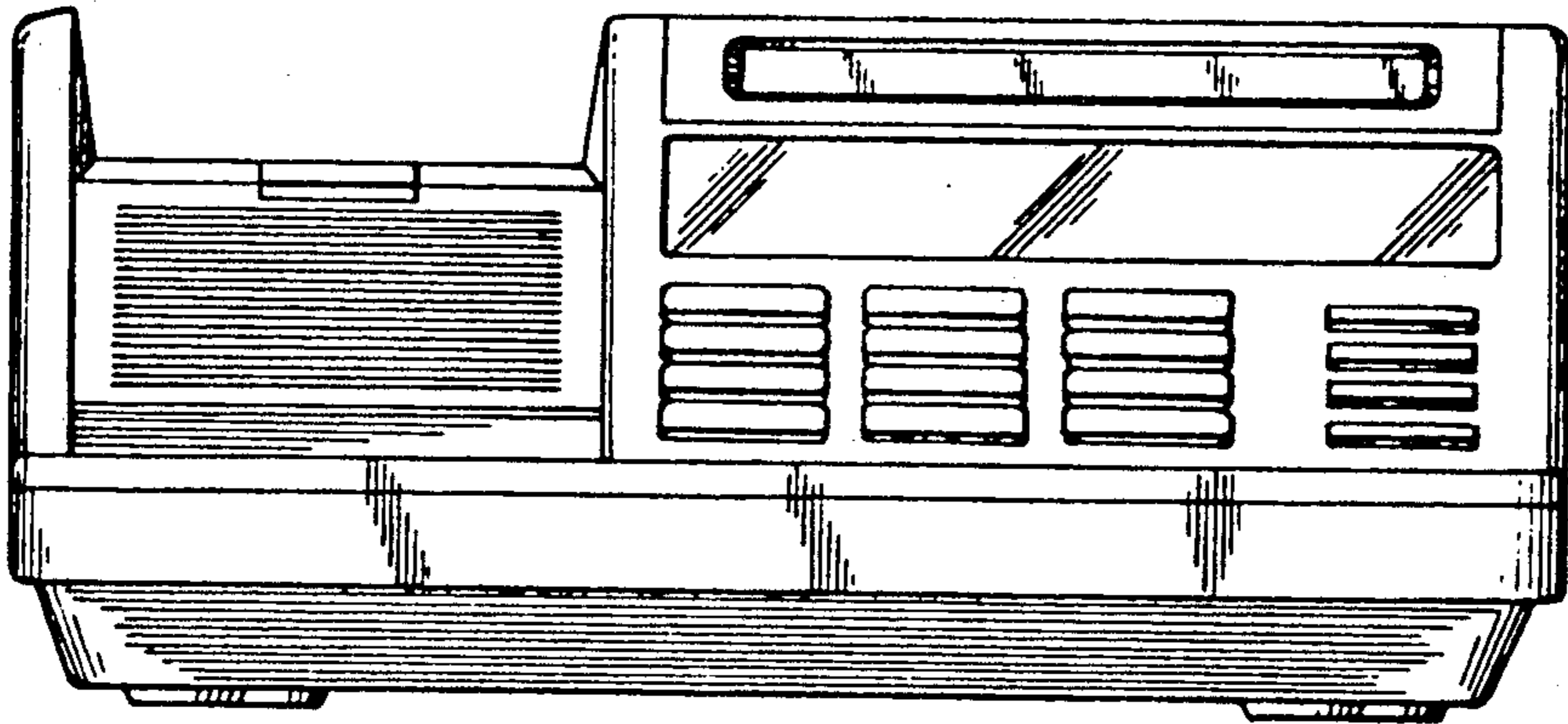


Fig. 3

Fig. 4

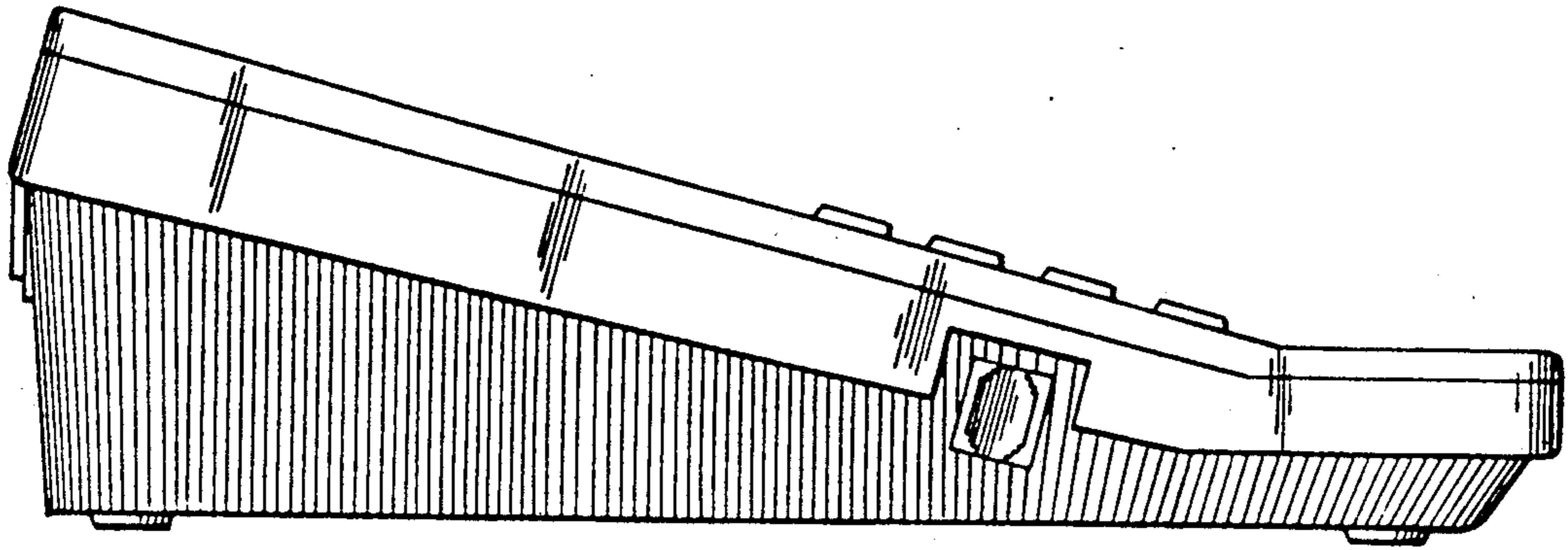


Fig. 5

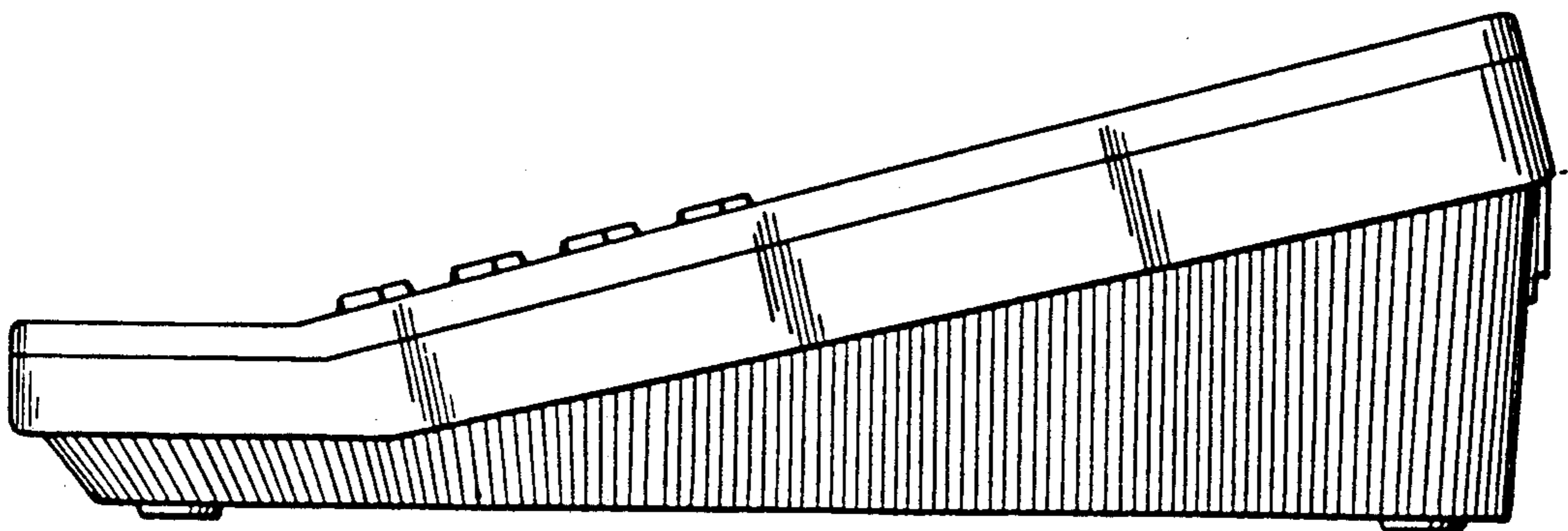


Fig. 6

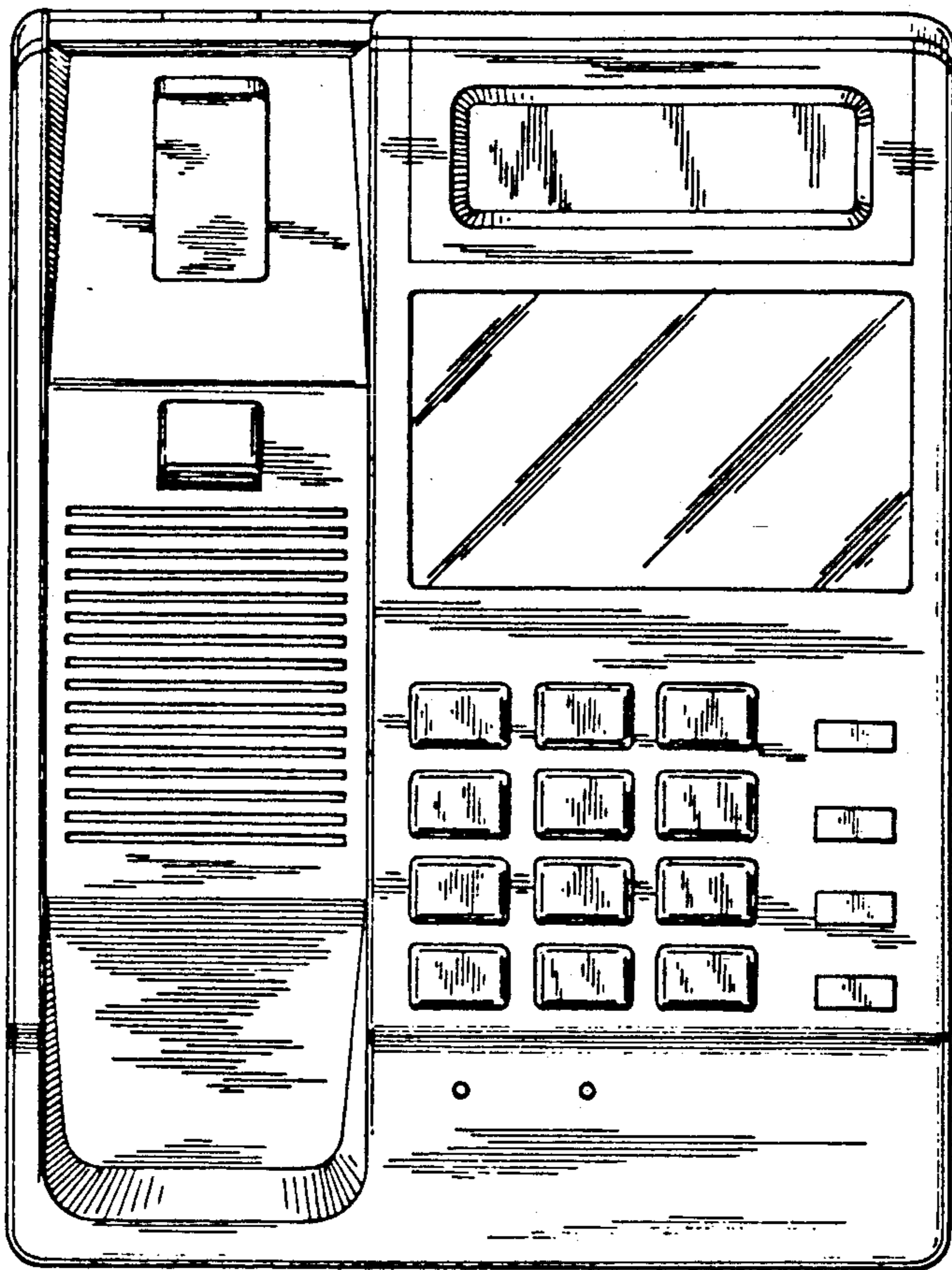


Fig. 7

