



US00D328291S

# United States Patent [19]

[11] Patent Number: **Des. 328,291**

Falkner

[45] Date of Patent: **\*\* Jul. 28, 1992**

[54] **DISPLAY ENCLOSURE**

[75] Inventor: **Maria J. Falkner, Arlington, Mass.**

[73] Assignee: **Digital Equipment Corporation, Maynard, Mass.**

[\*\*] Term: **14 Years**

[21] Appl. No.: **467,211**

[22] Filed: **Jan. 19, 1990**

[52] U.S. Cl. .... **D14/113; D14/100**

[58] Field of Search ..... **D14/100, 101, 105, 106, D14/107, 113, 114, 115, 124-126; D18/1, 4, 7, 11, 12; 340/700, 706, 711, 712; 341/22, 23, 26; 358/248, 249, 252-255, 64; 364/706-710.14; 312/208; 313/422; 315/85, 366**

[56] **References Cited**

**U.S. PATENT DOCUMENTS**

D. 239,392	3/1976	Baughman	.....	D14/100
D. 270,727	9/1983	Gonzales	.....	D14/100
D. 293,241	12/1987	Wan et al.	.....	D14/100
D. 303,374	9/1989	Larson et al.	.....	D14/100
D. 306,720	3/1990	Flies	.....	D14/113

D. 315,549 3/1991 Clough et al. .... D14/100

**FOREIGN PATENT DOCUMENTS**

0091642 5/1984 Japan ..... 313/422

*Primary Examiner*—Wallace R. Burke

*Assistant Examiner*—Freda S. Nunn

*Attorney, Agent, or Firm*—Kenyon & Kenyon

[57] **CLAIM**

The ornamental design for a display enclosure, as shown and described.

**DESCRIPTION**

FIG. 1 is a top perspective view of a display enclosure showing my new design;

FIG. 2 is a bottom perspective view thereof;

FIG. 3 is a top plan view thereof;

FIG. 4 is a front elevational view thereof;

FIG. 5 is a left side elevational view thereof;

FIG. 6 is a right side elevational view thereof;

FIG. 7 is a rear elevational view thereof; and,

FIG. 8 is a bottom plan view thereof.

The display enclosure is shown on a reduced scale in FIGS. 3-8.

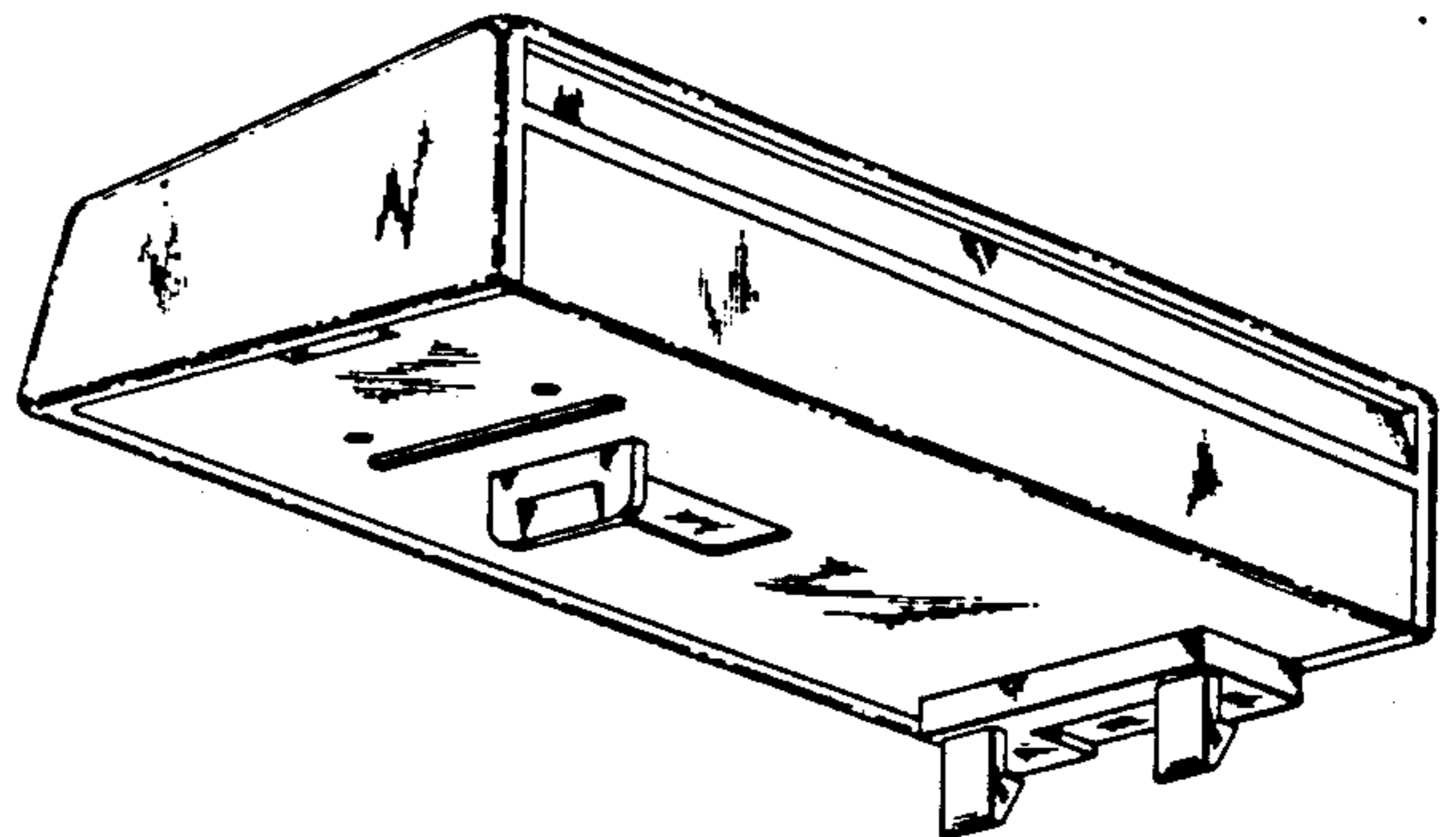
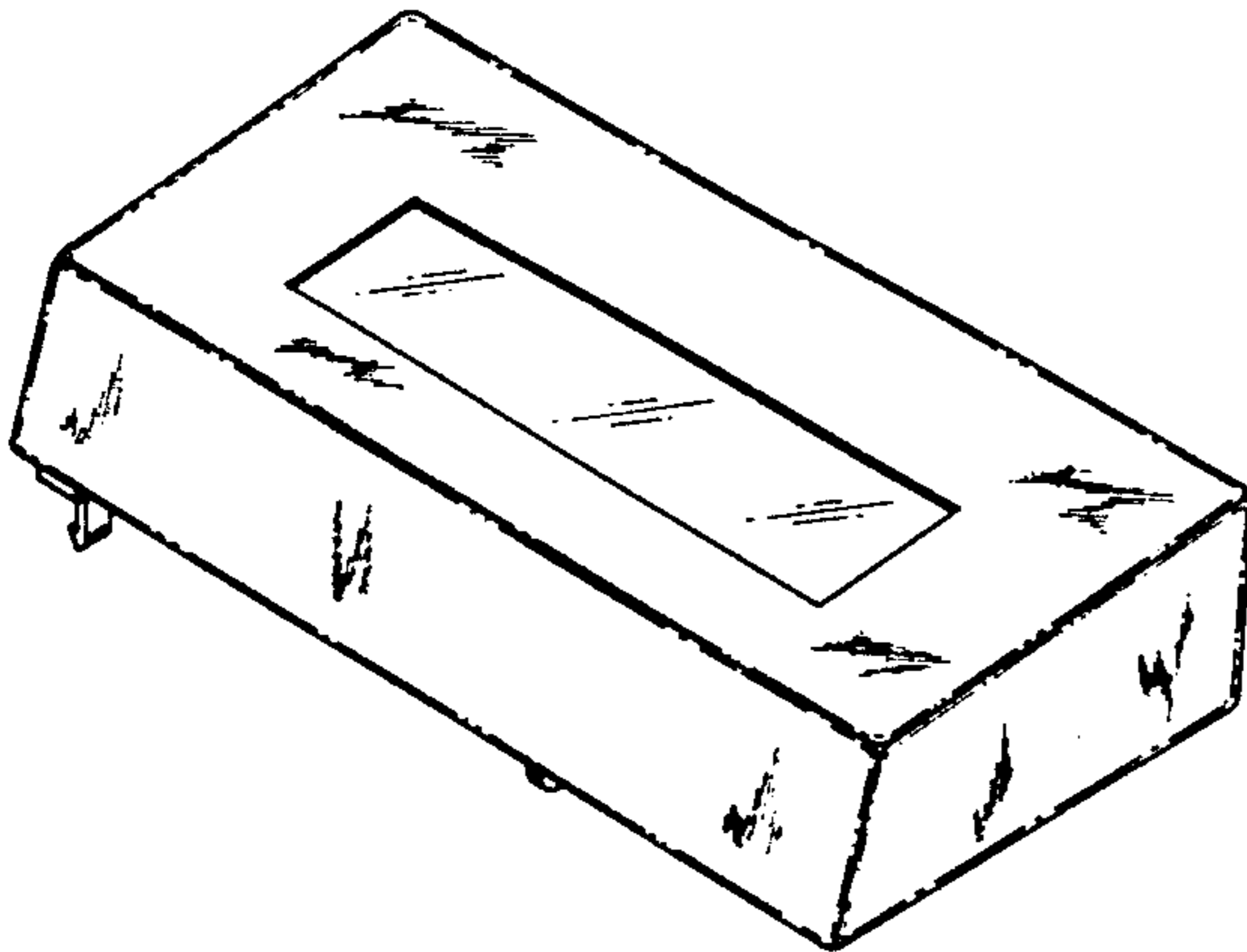


FIG. 1

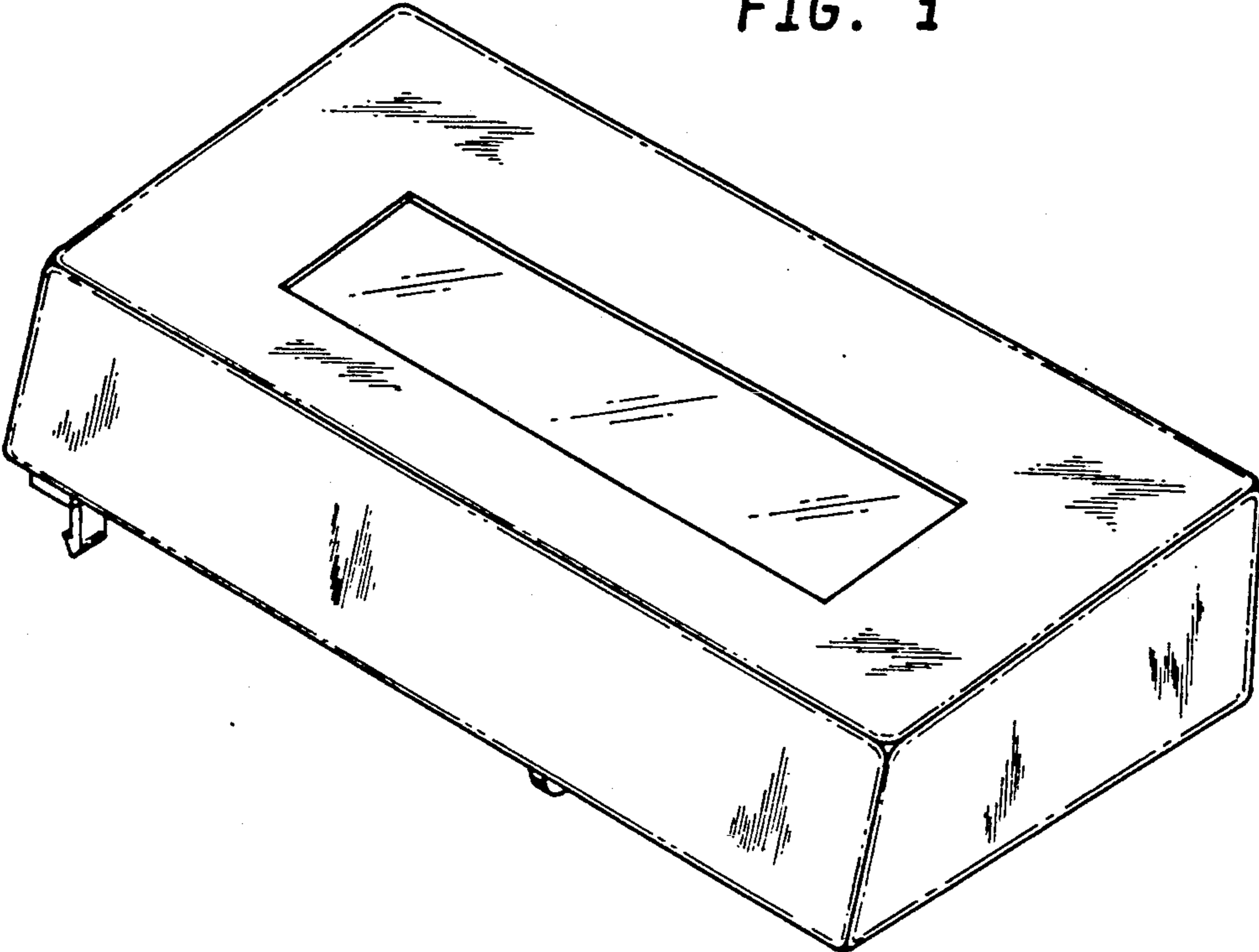


FIG. 2

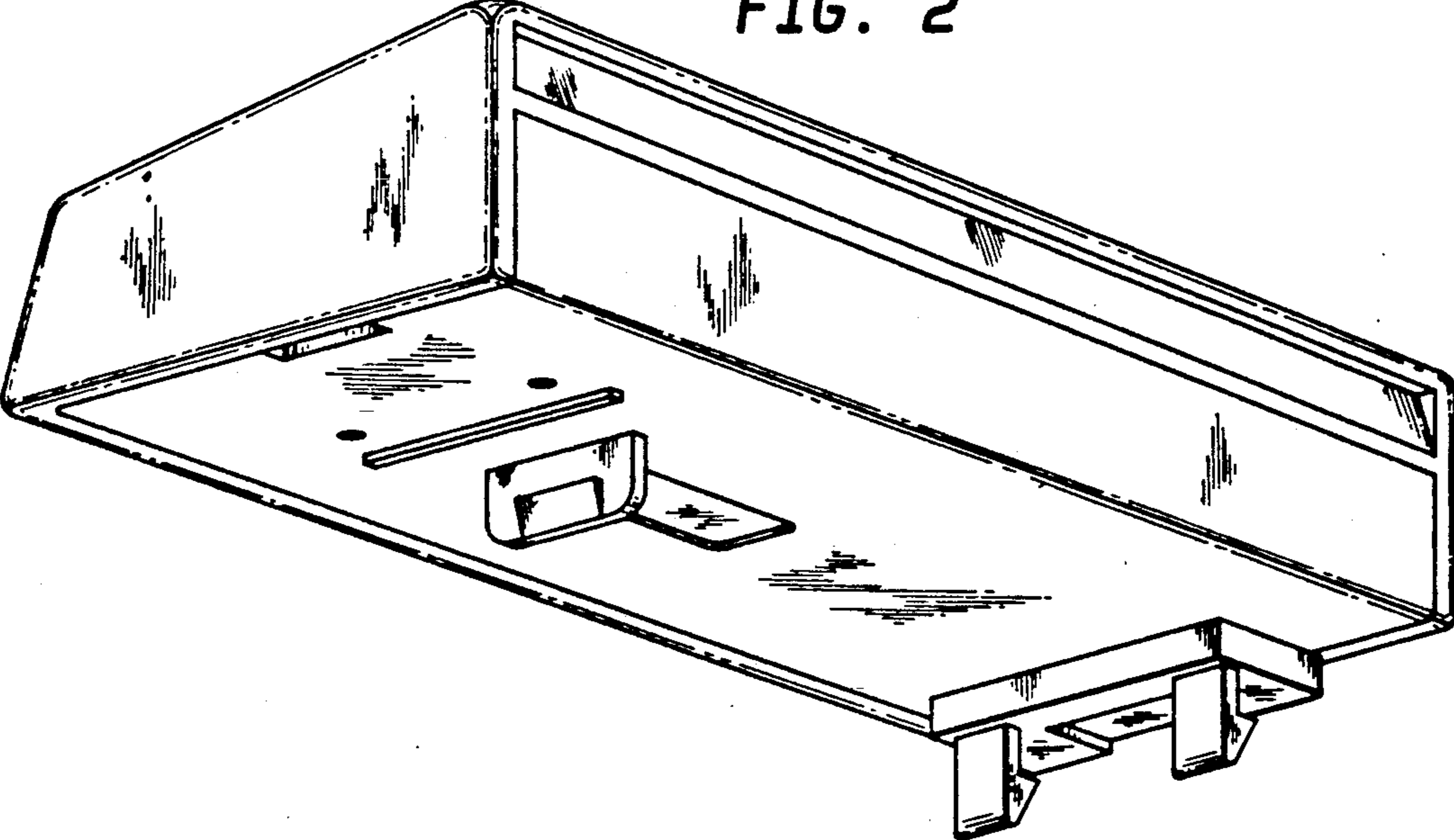


FIG. 3

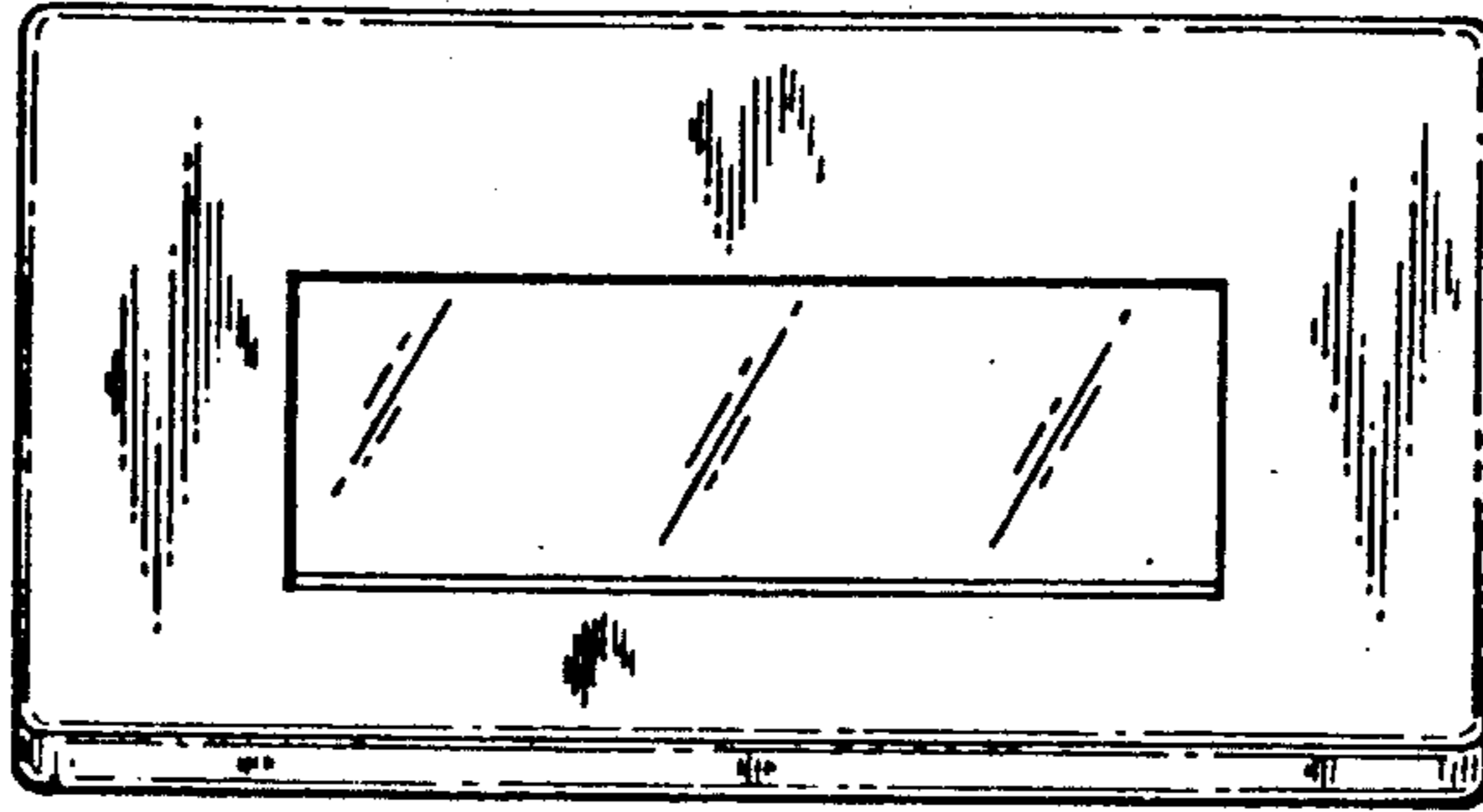


FIG. 4

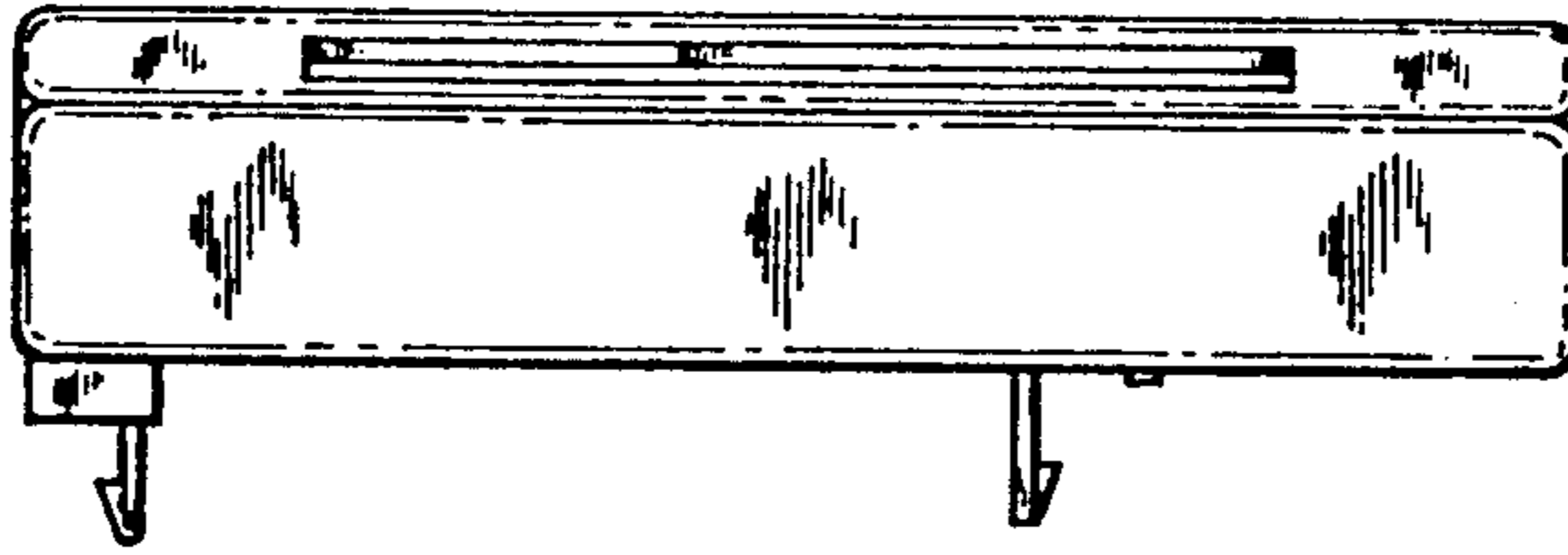


FIG. 7

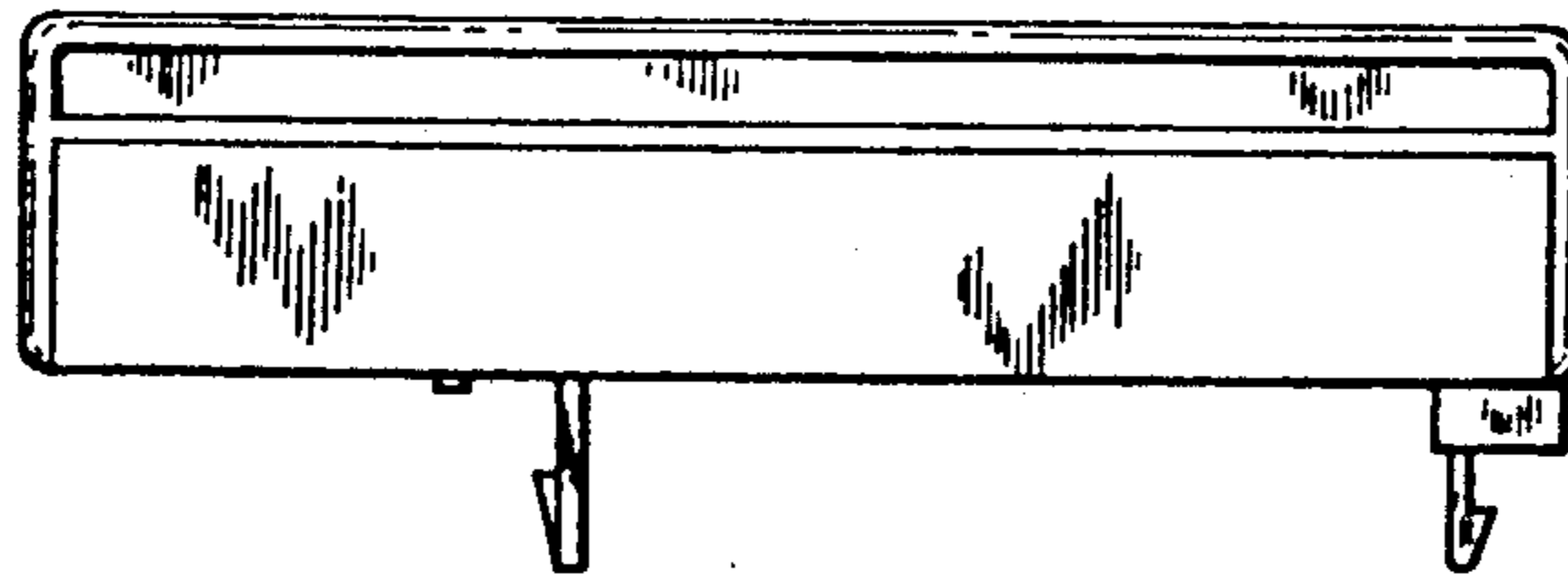


FIG. 5

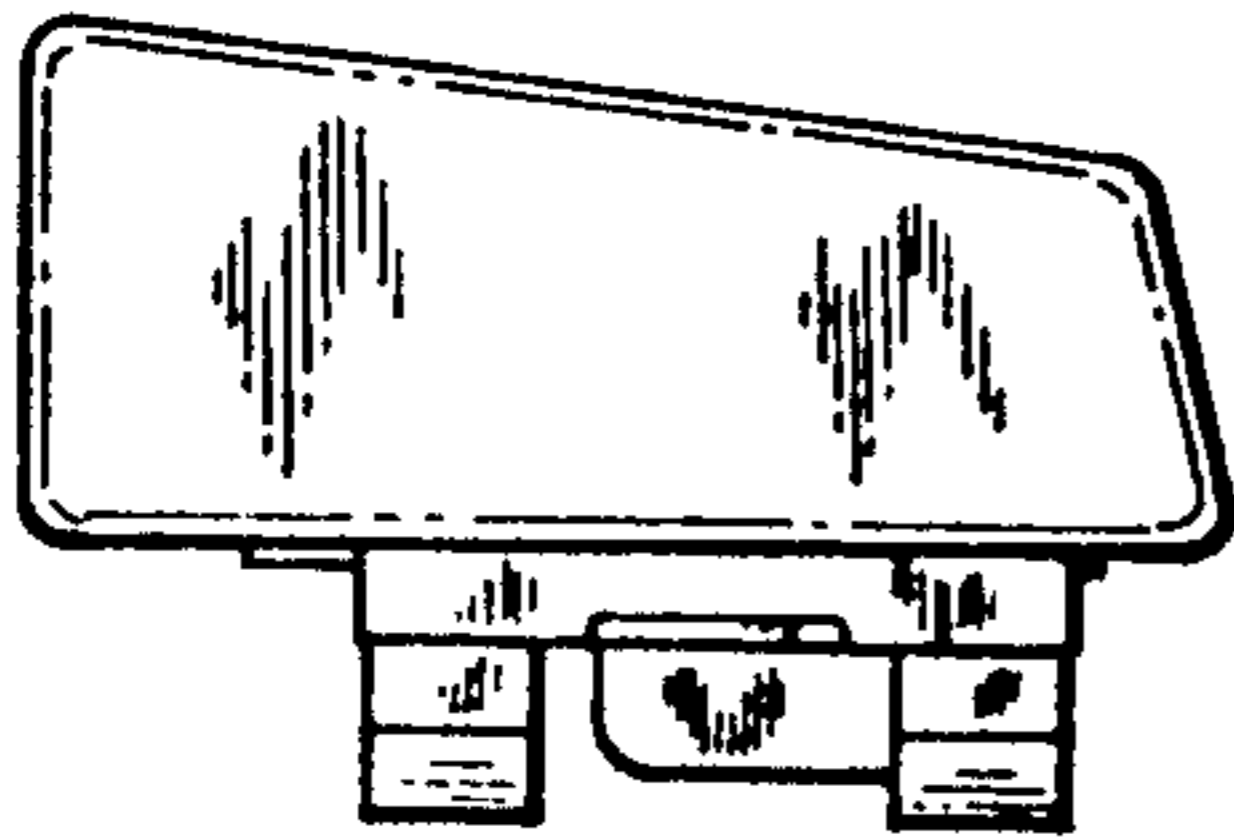


FIG. 6

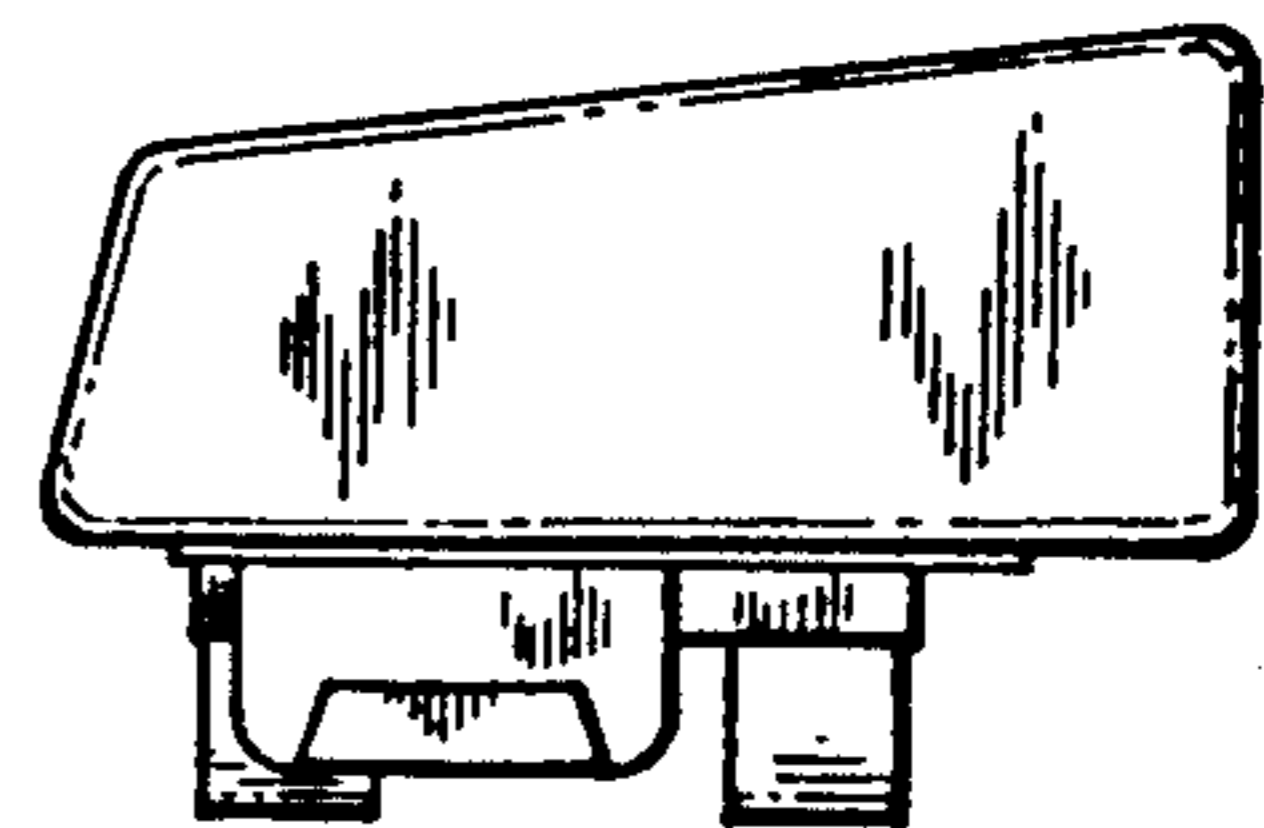


FIG. 8

