



US00D328284S

**United States Patent** [19]  
**Brenner**

[11] **Patent Number: Des. 328,284**  
[45] **Date of Patent: \*\* Jul. 28, 1992**

[54] **THERMAL PROTECTOR HOUSING**

[75] **Inventor: Stanley S. Brenner, East Northport, N.Y.**

[73] **Assignee: Leviton Manufacturing Company, Inc., Little Neck, N.Y.**

[\*\*] **Term: 14 Years**

[21] **Appl. No.: 759,742**

[22] **Filed: Sep. 12, 1991**

**OTHER PUBLICATIONS**

Miniature relays on p. 210 of *Allied Electronics Catalog No. 750, 1975.*

Standard and Miniature reed relays on p. 213 of *Allied Electronics Catalog No. 750, 1975.*

*Primary Examiner—Wallace R. Burke*  
*Assistant Examiner—Joel Sincavage*  
*Attorney, Agent, or Firm—Paul J. Sutton*

[57] **CLAIM**

The ornamental design for a thermal protector housing, as shown and described.

**DESCRIPTION**

FIG. 1 is a front elevational view of a thermal protector housing showing my new design;

FIG. 2 is a rear elevational view thereof;

FIG. 3 is a top plan view thereof;

FIG. 4 is a bottom plan view thereof;

FIG. 5 is a right side elevational view thereof, the left side elevational view thereof being a mirror image;

FIG. 6 is a front and upper right perspective view thereof;

FIG. 7 is a cross-sectional view thereof taken along line 7—7 of FIG. 6; and,

FIG. 8 is a rear and lower right perspective view of the thermal protector housing shown in FIGS. 1-7.

The broken line showing is included for the purpose of illustrating environmental elements only and forms no part of the claimed design.

**Related U.S. Application Data**

[63] Continuation of Ser. No. 355,181, May 24, 1989, abandoned.

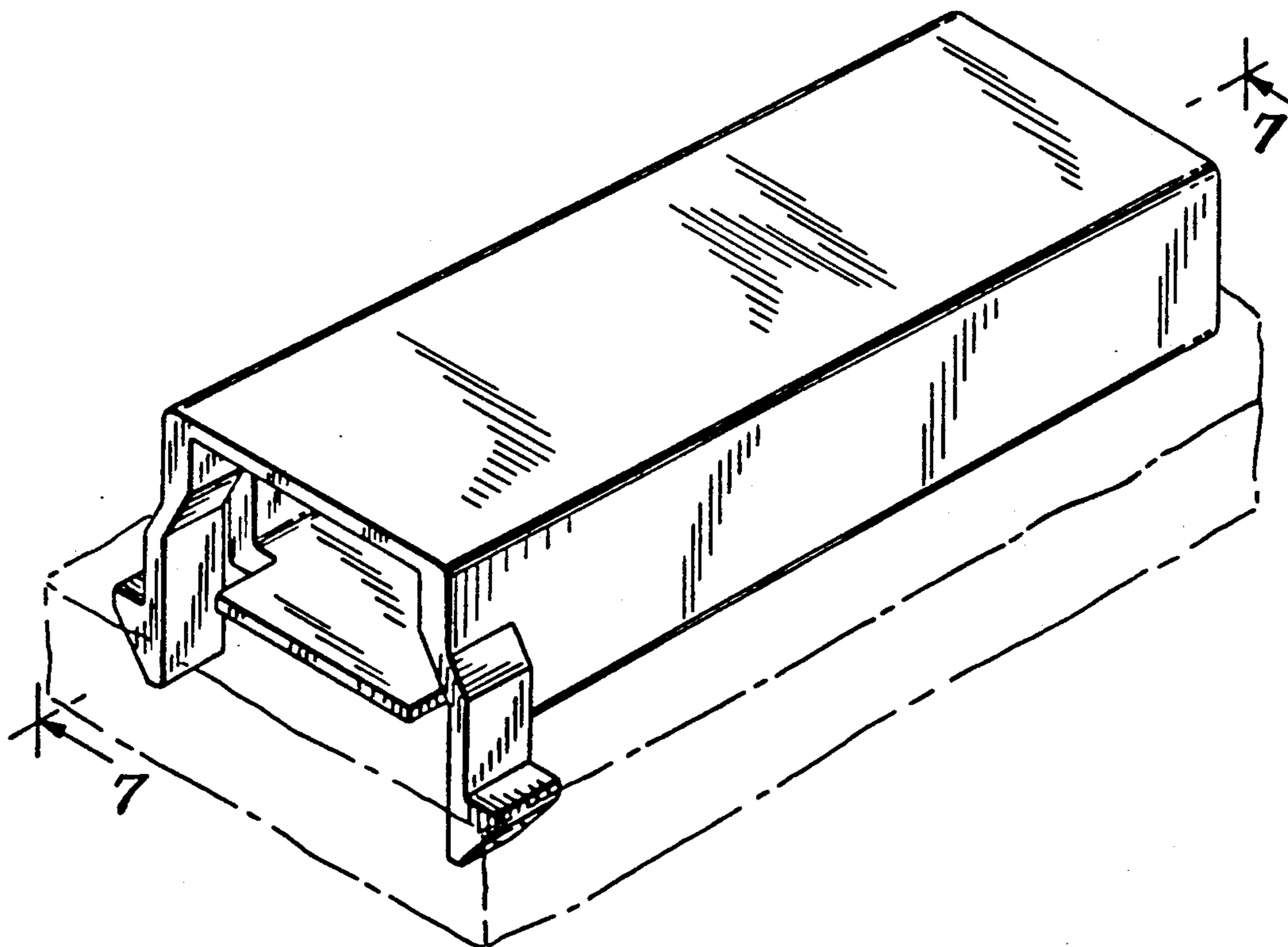
[52] **U.S. Cl.** ..... D13/160; D13/158; D13/199

[58] **Field of Search** ..... D13/158, 160, 169; 335/8, 9, 10, 17, 44, 132, 202; 200/293, 294, 303, 308, 309

[56] **References Cited**

**U.S. PATENT DOCUMENTS**

1,593,193	7/1926	Ryno	.....	200/293 X
2,745,924	5/1956	Coates	.....	D13/158 X
3,268,839	8/1966	McFarland	.....	335/202
4,371,856	2/1983	Holce et al.	.....	200/51 R X



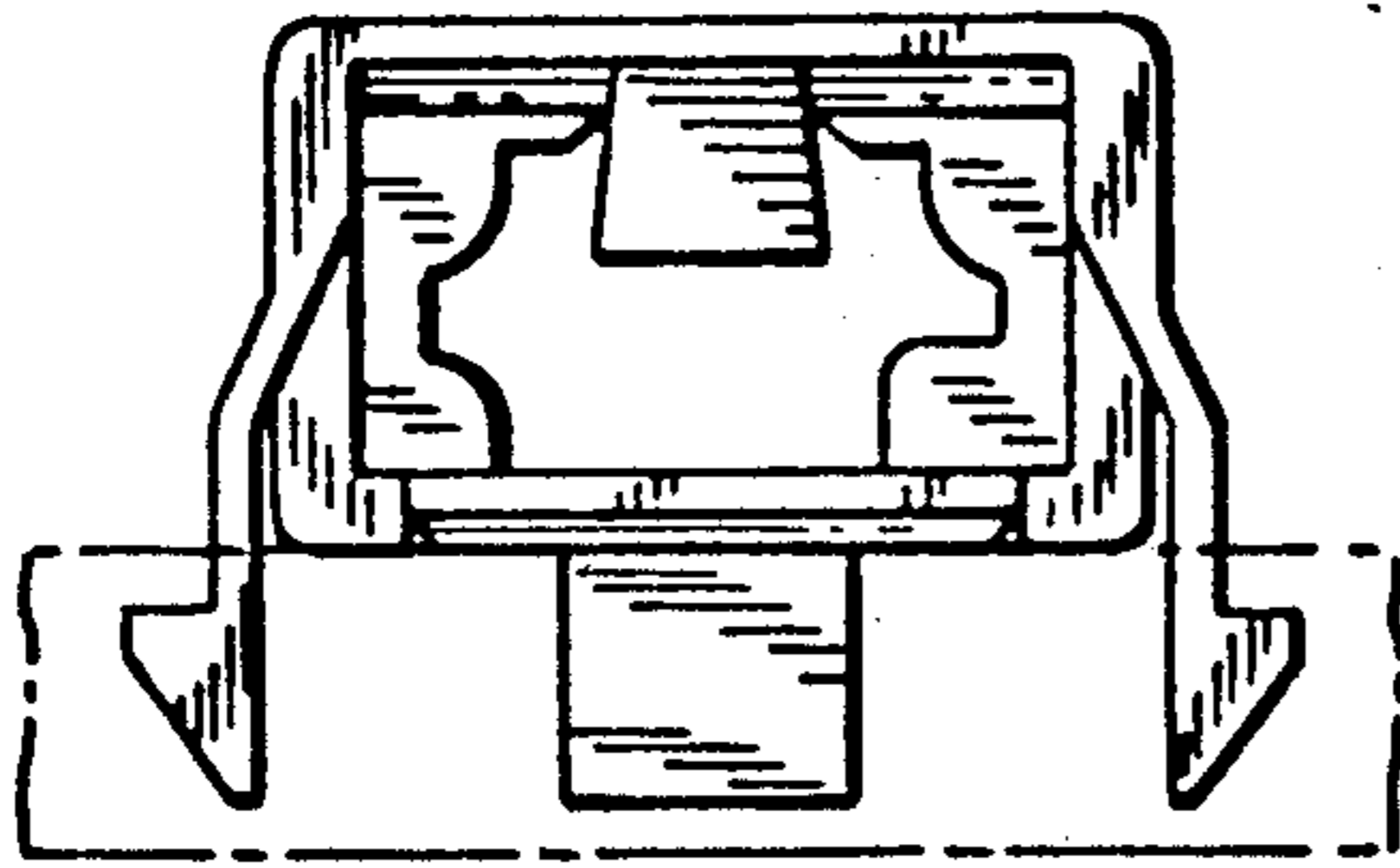


FIG. 1

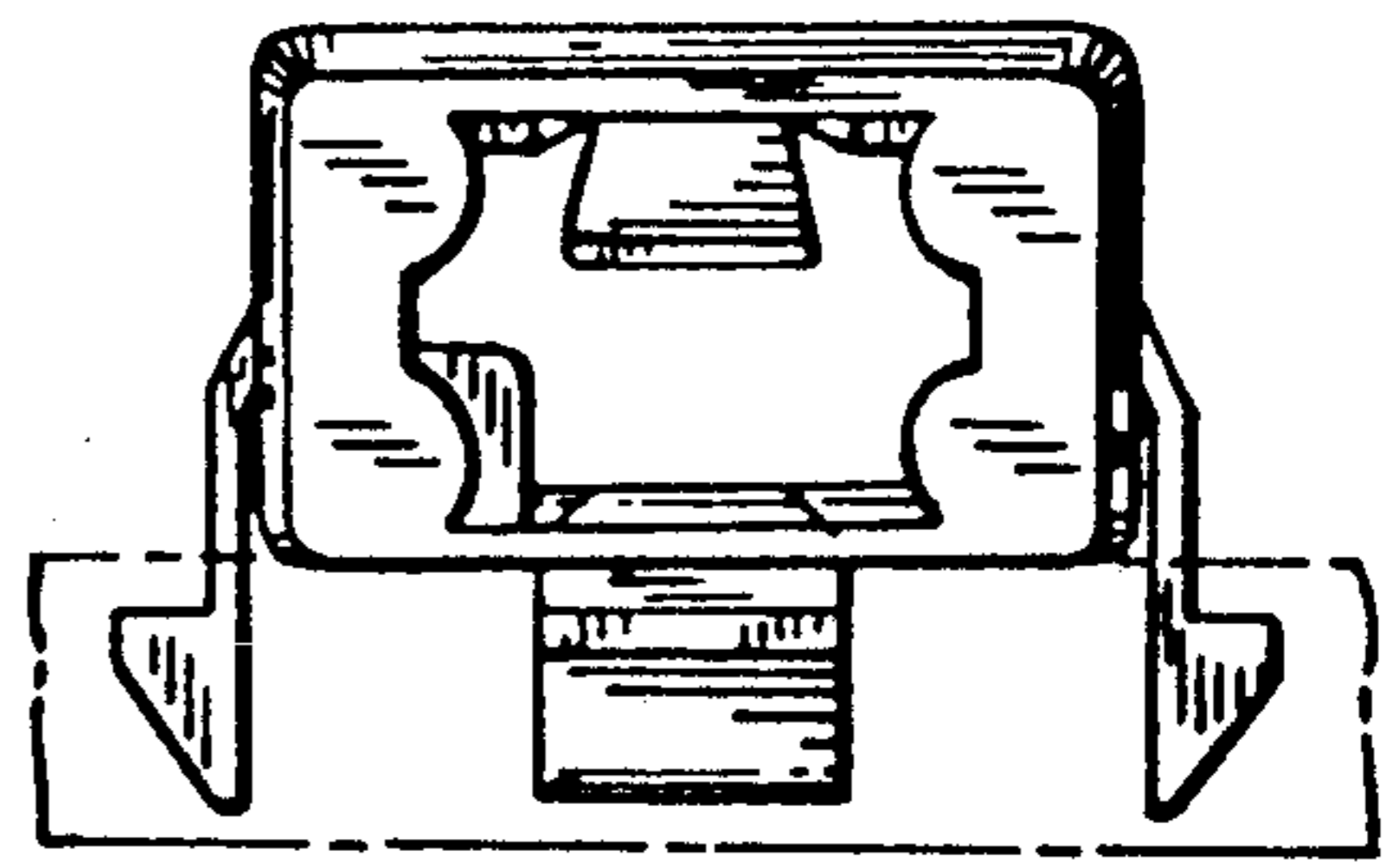


FIG. 2

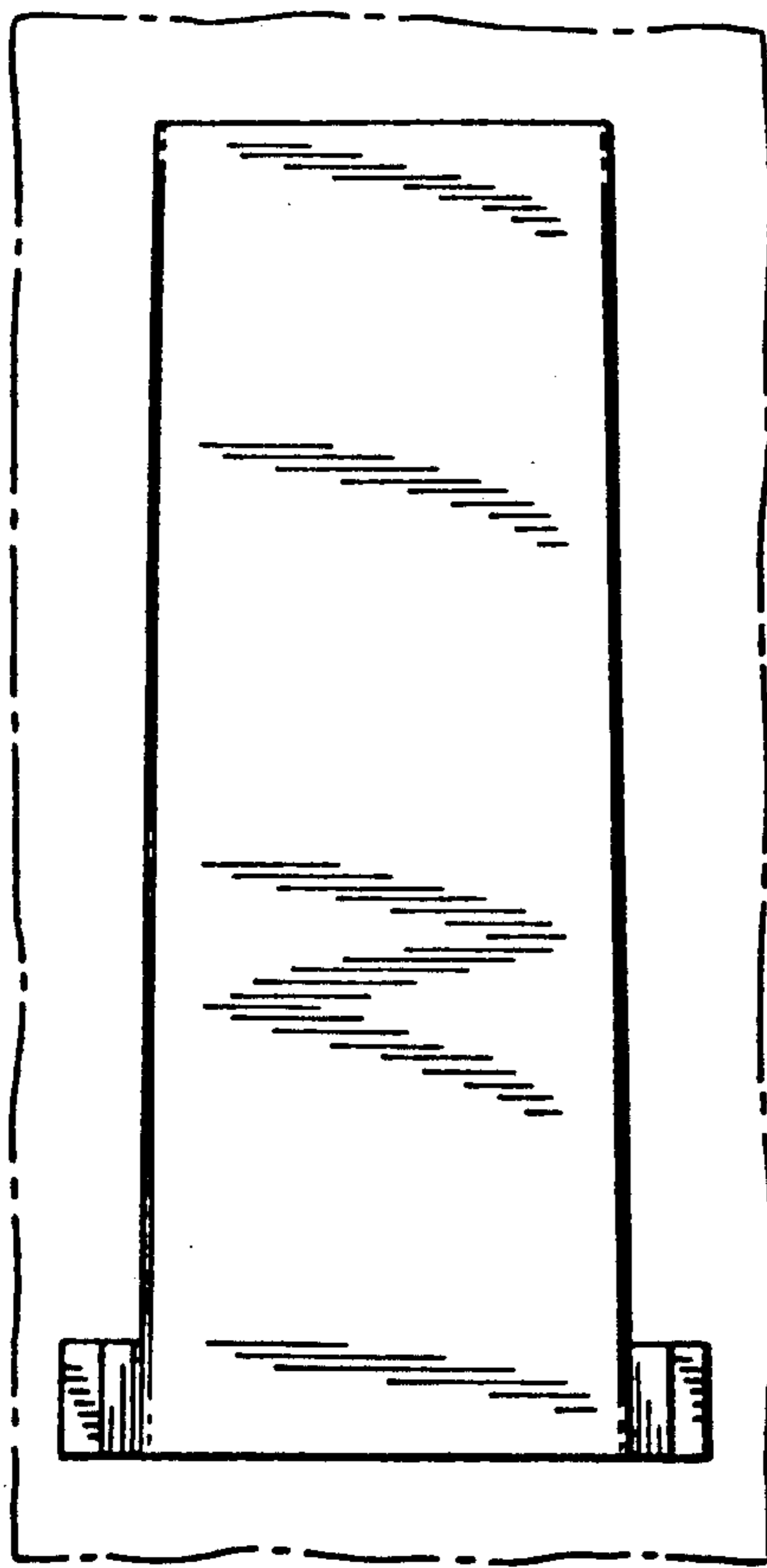


FIG. 3

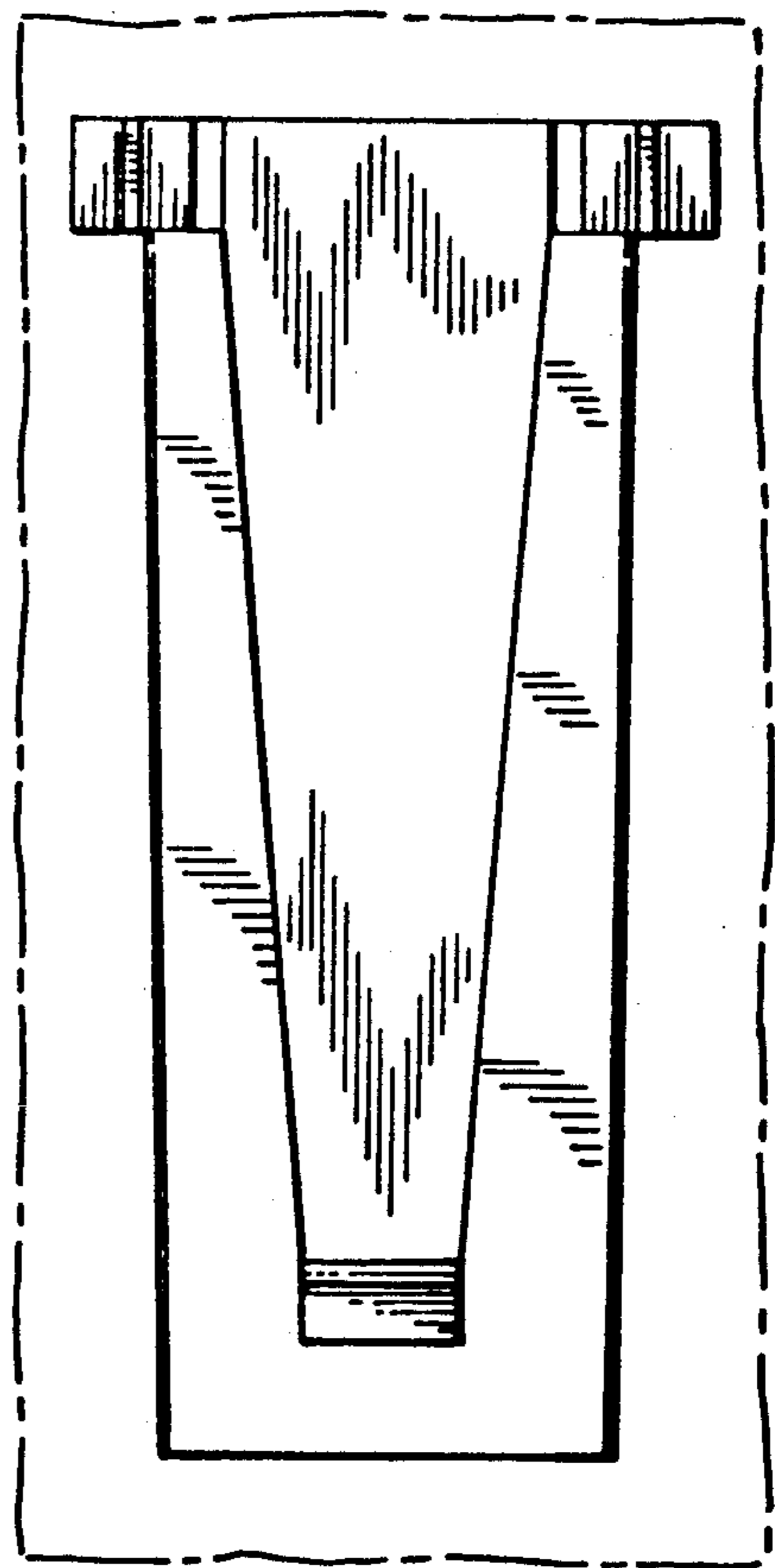


FIG. 4

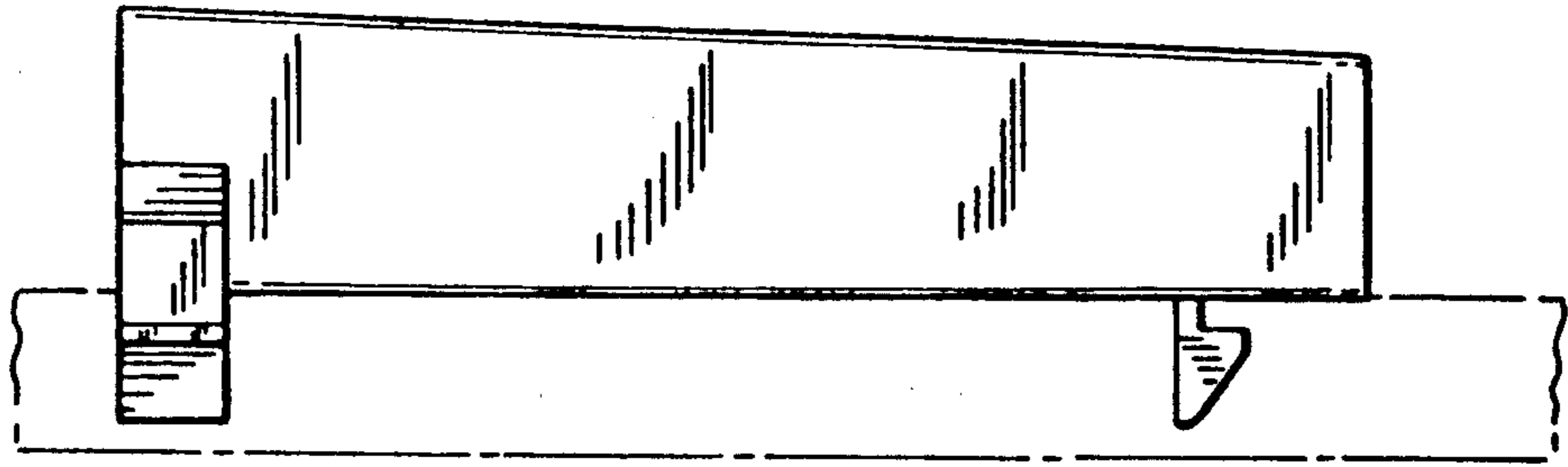


FIG. 5

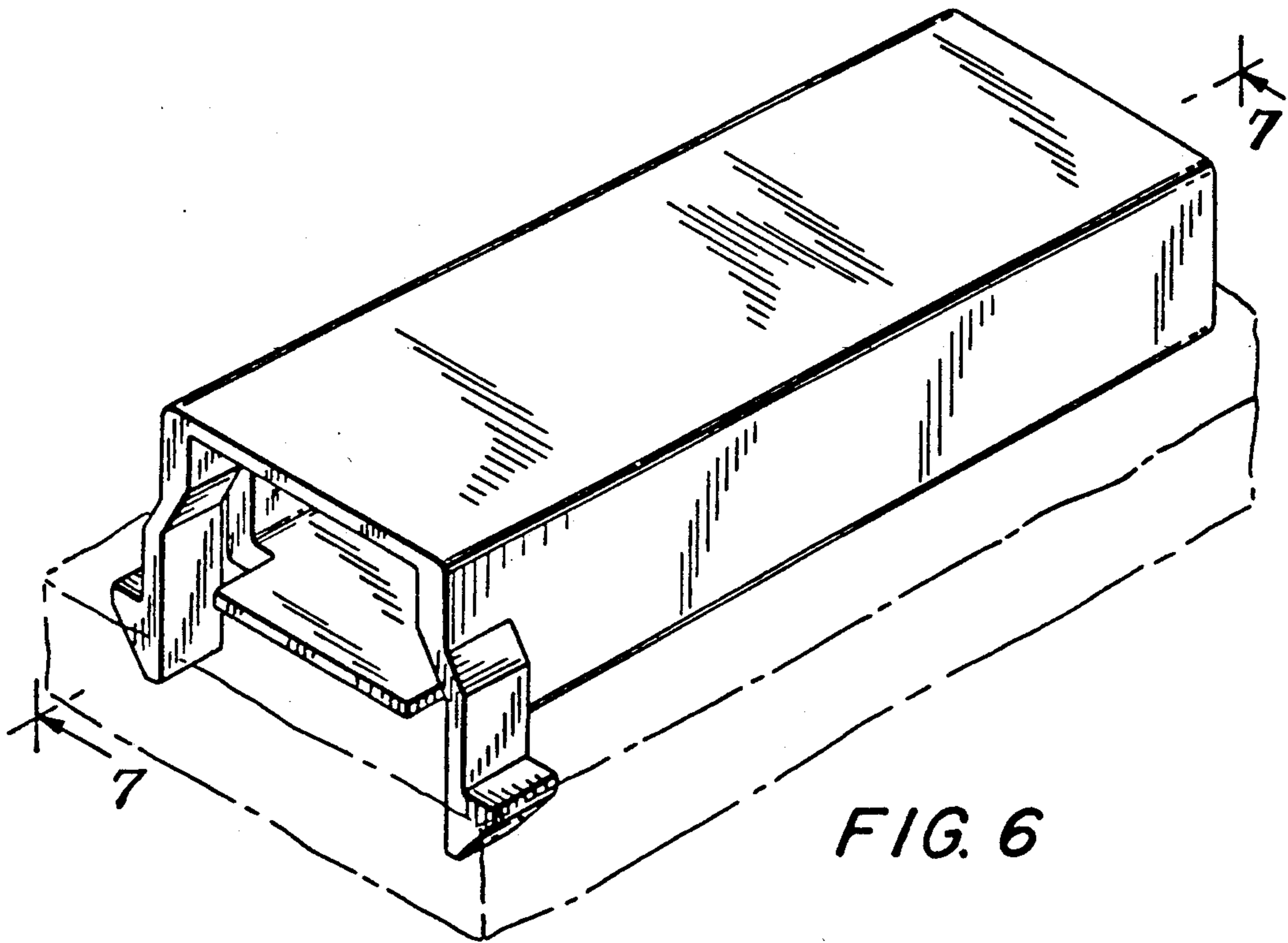


FIG. 6

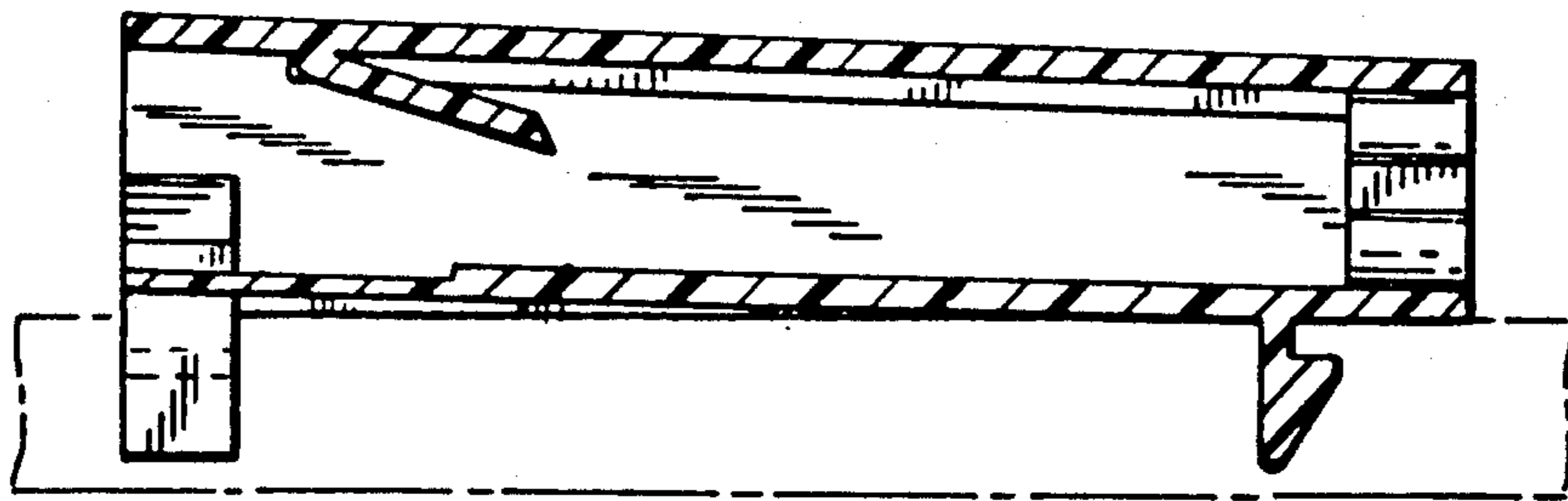


FIG. 7

*FIG. 8*

