



US00D328283S

United States Patent [19] Strand

[11] Patent Number: **Des. 328,283**

[45] Date of Patent: **** Jul. 28, 1992**

[54] **ELECTRICAL CLIP FOR THE LEAD WIRE OF A MEDICAL ELECTRODE**

4,550,961 11/1985 Aicher et al. 439/347
4,761,143 8/1988 Owens et al. 439/372
4,768,969 9/1988 Bauer et al. 439/372 X

[75] Inventor: **Jerome E. Strand, Hudson, Wis.**

FOREIGN PATENT DOCUMENTS

[73] Assignee: **Minnesota Mining and Manufacturing Company, St. Paul, Minn.**

3821017 1/1989 Fed. Rep. of Germany 439/447

[**] Term: **14 Years**

Primary Examiner—Wallace R. Burke
Assistant Examiner—Joel Sincavage
Attorney, Agent, or Firm—Gary L. Griswold; Walter N. Kirn; John H. Hornickel

[21] Appl. No.: **502,656**

[22] Filed: **Apr. 2, 1990**

[57] CLAIM

[52] U.S. Cl. **D13/149; D13/133; D24/168**

The ornamental design for an electrical clip for the lead wire of a medical electrode, as shown and described.

[58] Field of Search **D13/133, 146, 147; D24/168, 187; 439/345, 347, 372, 370, 725, 836, 492, 447, 449; 128/640**

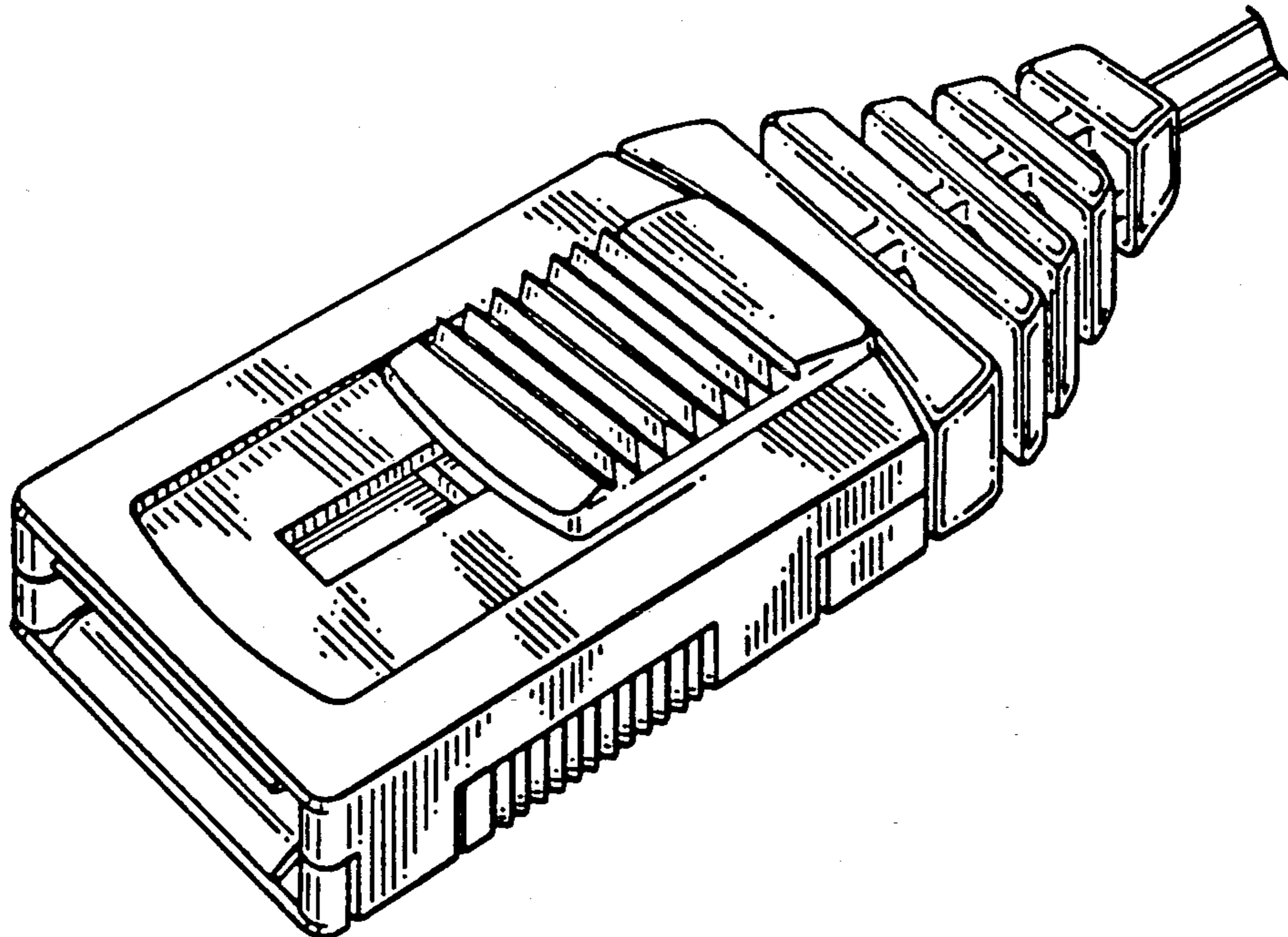
DESCRIPTION

[56] References Cited

U.S. PATENT DOCUMENTS

D. 244,879 6/1977 Manno D24/184 X
D. 279,669 7/1985 Robinson D13/133
4,014,343 3/1977 Esty 439/347 X
4,490,003 12/1984 Robinson 439/347 X

FIG. 1 is a front and upper right perspective view of an electrical clip showing my new design;
FIG. 2 is a top plan view thereof;
FIG. 3 is a left side elevational view thereof;
FIG. 4 is a rear elevational view thereof;
FIG. 5 is a right side elevational view thereof;
FIG. 6 is a front elevational view thereof; and,
FIG. 7 is a bottom plan view thereof.



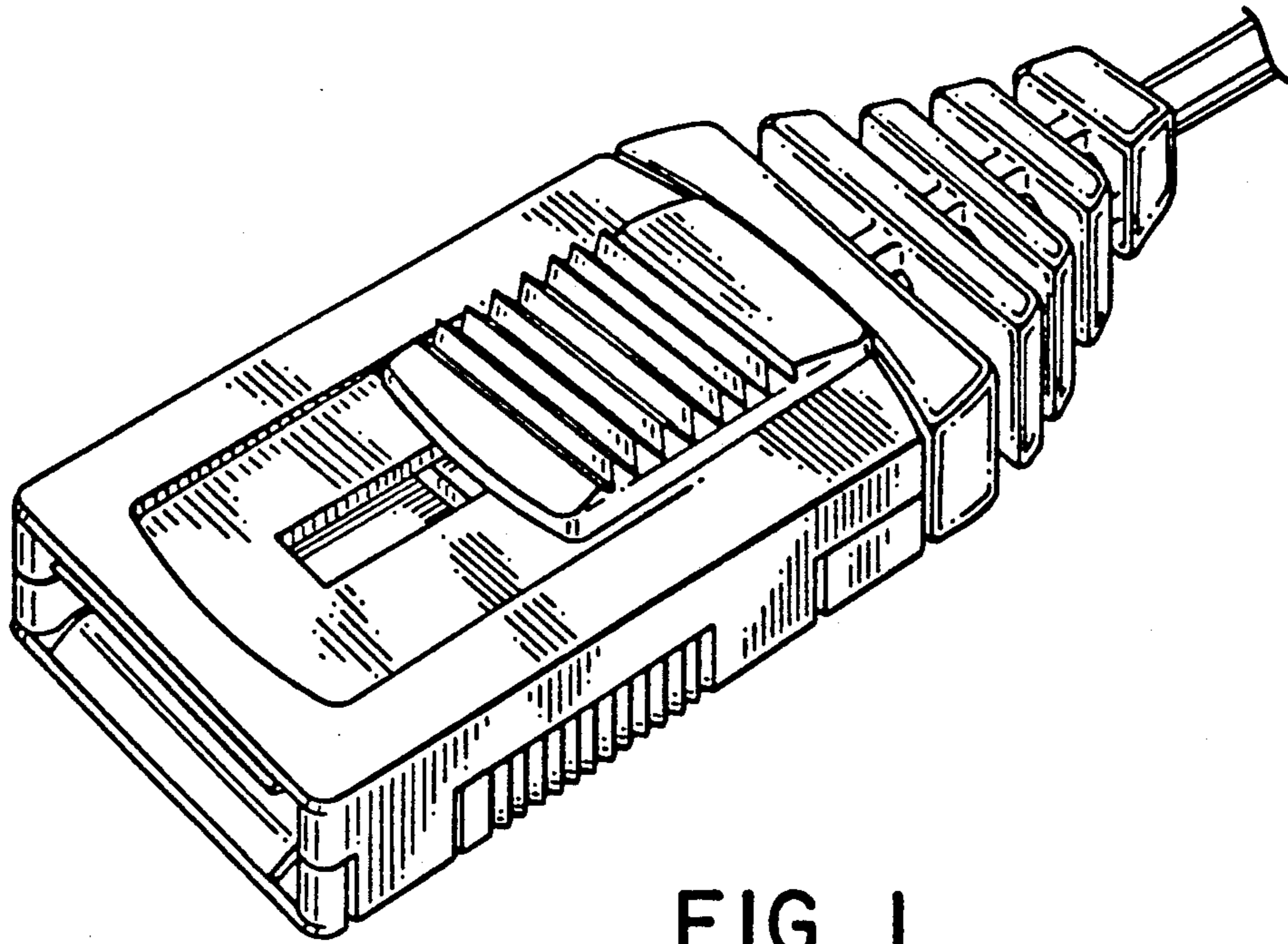


FIG. 1

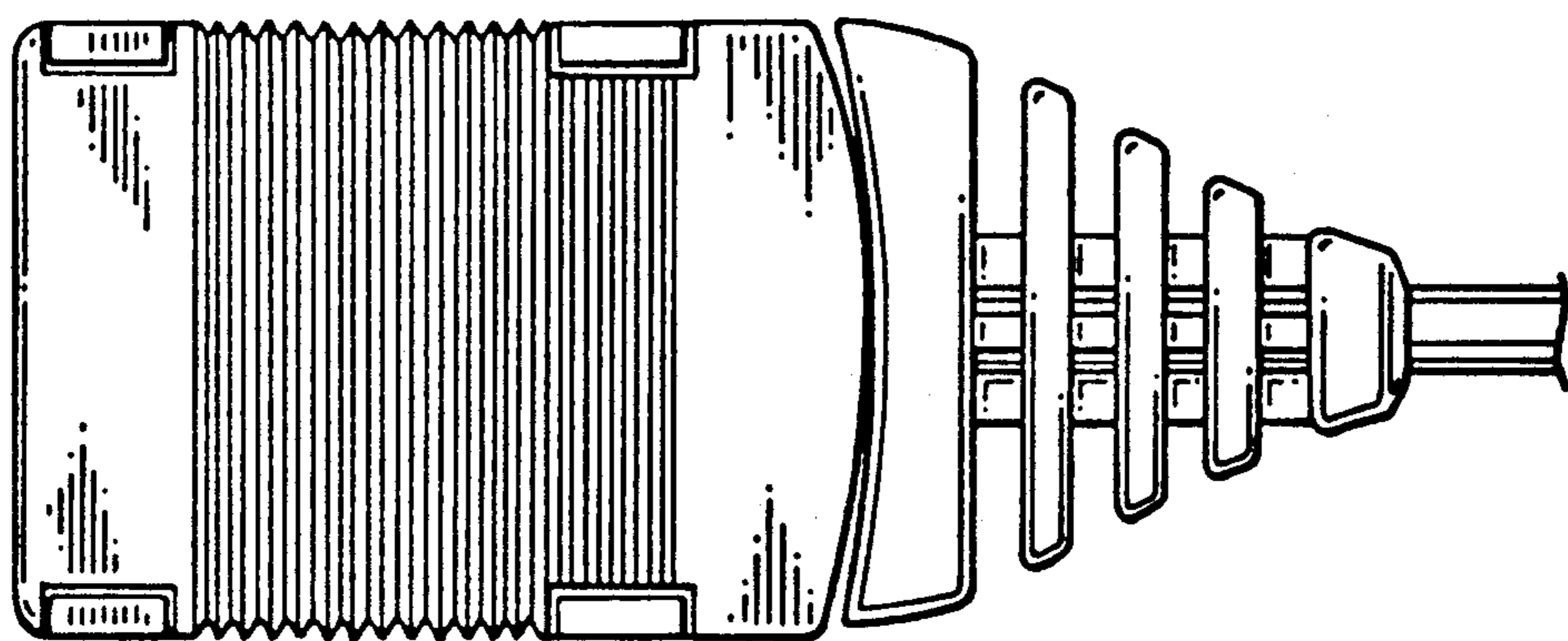


FIG. 7

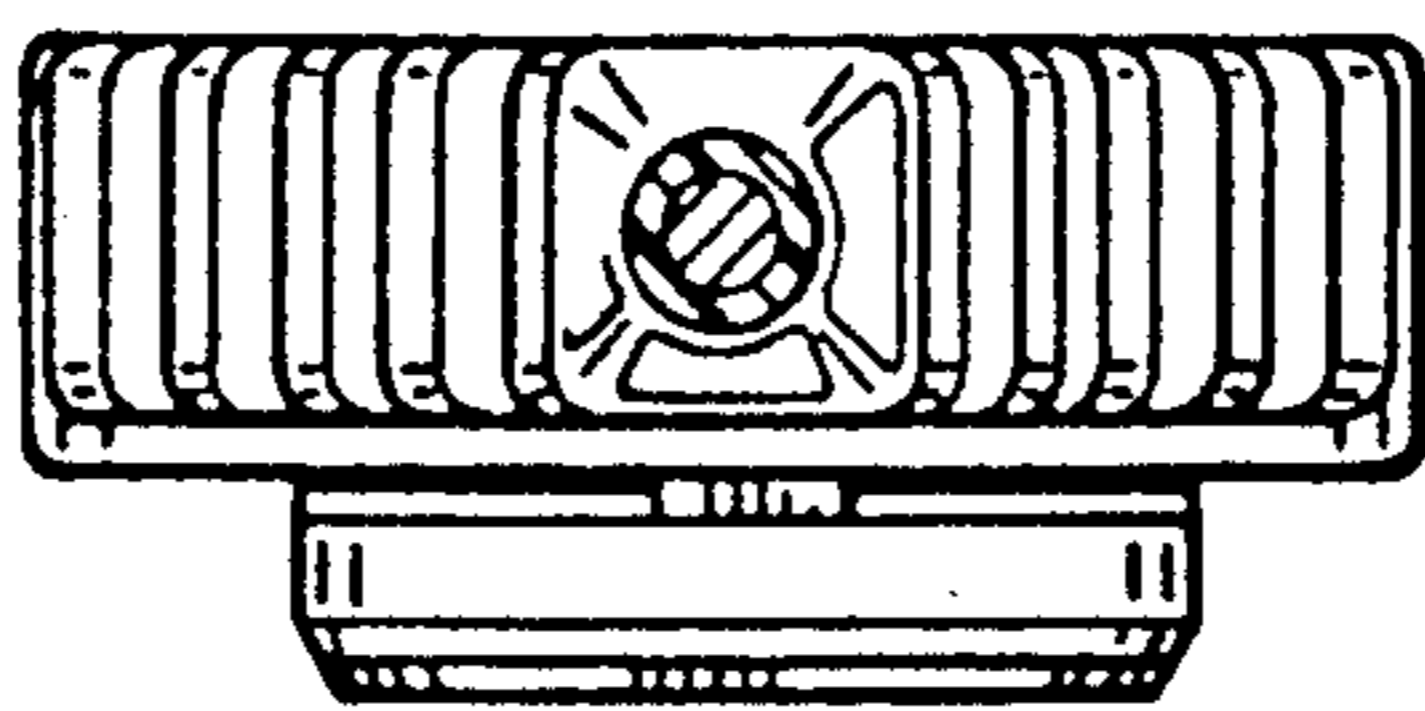


FIG. 4

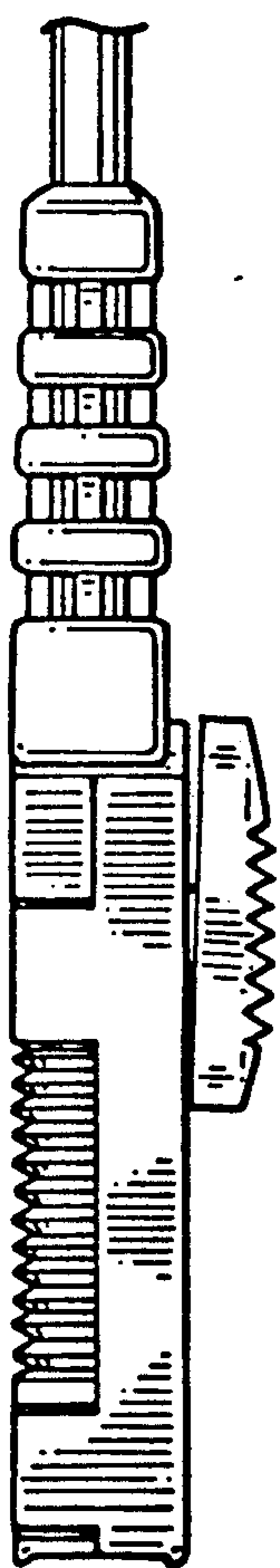


FIG. 3

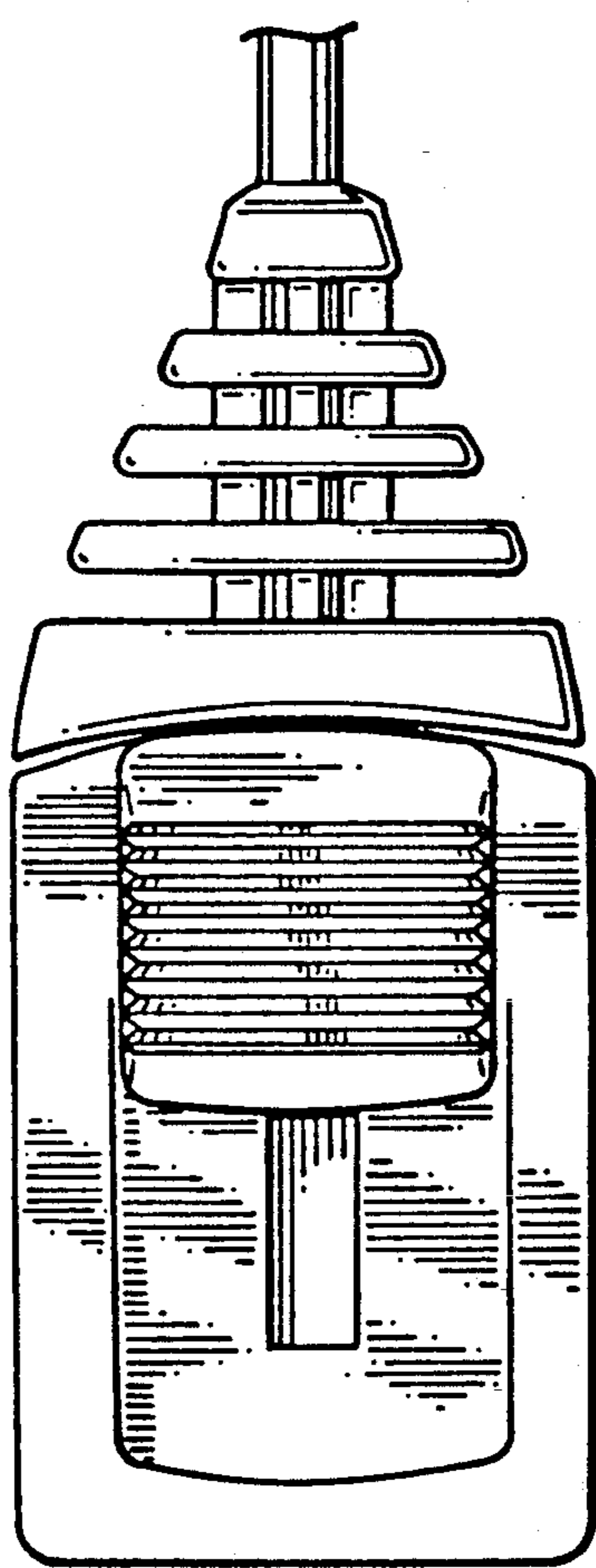


FIG. 2

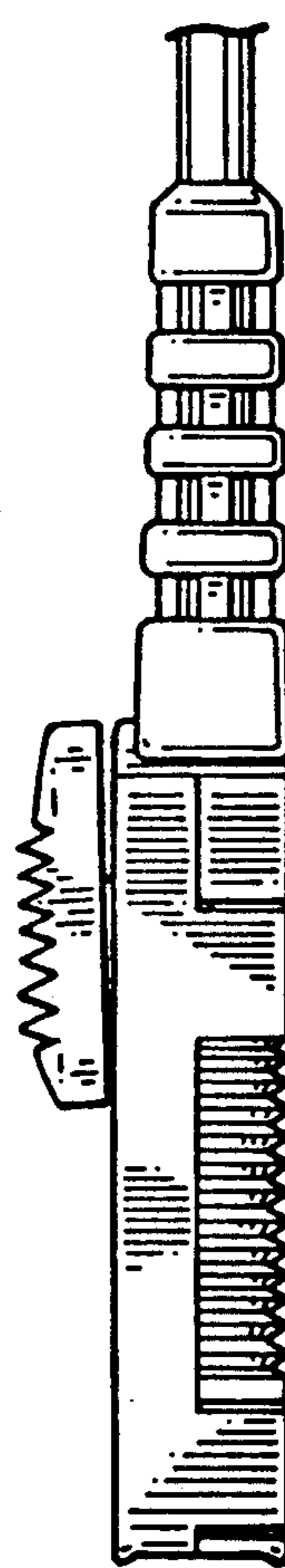


FIG. 5

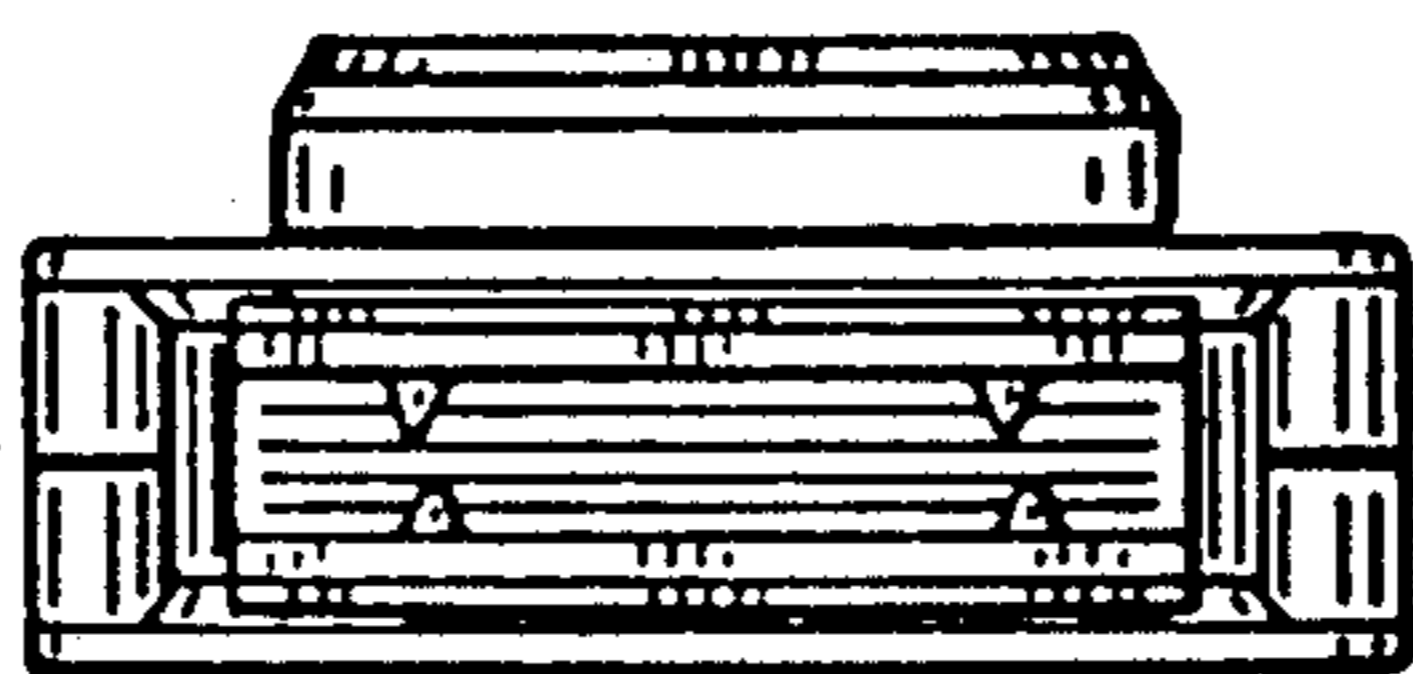


FIG. 6

UNITED STATES PATENT AND TRADEMARK OFFICE
CERTIFICATE OF CORRECTION

PATENT NO. : Des. 328,283
DATED : July 28, 1992
INVENTOR(S) : Jerome E. Strand

Page 1 of 2

It is certified that error appears in the above-identified patent and that said Letters Patent is hereby corrected as shown below: On the title page:

Item [56] add the following References Cited:

Signed and Sealed this

Twenty-sixth Day of October, 1993

Attest:



BRUCE LEHMAN

Attesting Officer

Commissioner of Patents and Trademarks

**UNITED STATES PATENT AND TRADEMARK OFFICE
CERTIFICATE OF CORRECTION**

PATENT NO. : Des. 328,283
DATED : July 28, 1992
INVENTOR(S) : Strand

Page 2 of 2

It is certified that error appears in the above-identified patent and that said Letters Patent is hereby corrected as shown below:

Doc. No.	Date	Name	Class	SubClass
1,662,446	03/13/28	Wappler	416	116X
3,543,760	03/11/68	Bolduc	128	416
4,166,465	09/04/79	Esty et al.	128	303.13
4,365,634	12/28/82	Bare et al.	128	640
4,543,958	10/01/85	Cartmell	128	640
4,554,924	11/26/85	Engel	128	640
4,555,155	11/26/85	Drake	339	61R
4,640,289	02/03/87	Craighead	128	639
4,643,193	02/17/87	Demarzo	128	639
4,657,023	04/14/87	Kuhn	128	640
4,679,563	07/14/87	Wada et al.	128	640
4,694,835	09/22/87	Strand	128	640
4,700,997	10/20/87	Strand	439	372
4,702,256	10/27/87	Robinson et al.	128	639
4,842,558	06/27/89	Strand	439	863
4,852,571	08/01/89	Gadsby et al.	128	640
1519782	08/02/78	U.K.	A61N	1/04