



US00D328279S

United States Patent [19]

[11] Patent Number: Des. 328,279

Couto et al.

[45] Date of Patent: ** Jul. 28, 1992

[54] ELECTRICAL CONNECTOR

[75] Inventors: Luis R. Couto, Hillside; Nicholas Pulitano, Livingston, both of N.J.

[73] Assignee: Thomas & Betts Corporation, Bridgewater, N.J.

[**] Term: 14 Years

[21] Appl. No.: 459,107

[22] Filed: Dec. 28, 1989

[52] U.S. Cl. D13/133

[58] Field of Search D13/133; 439/447, 449-450, 439/456, 462, 469-470, 472, 497, 610, 101; 174/135, 78, 65 R

[56] References Cited

U.S. PATENT DOCUMENTS

3,788,582	1/1974	Swanquist	174/65 R X
4,323,727	4/1982	Berg	174/135
4,358,079	11/1982	Navano	174/65 R X
4,481,697	11/1984	Bachle	439/449 X
4,486,065	12/1984	Wittes	439/450

OTHER PUBLICATIONS

Thomas & Betts Electrical Construction and Maintenance Products, Electrical Division, 1988, pp. 170-172, 189-195, 203-204, 215-217, 233.

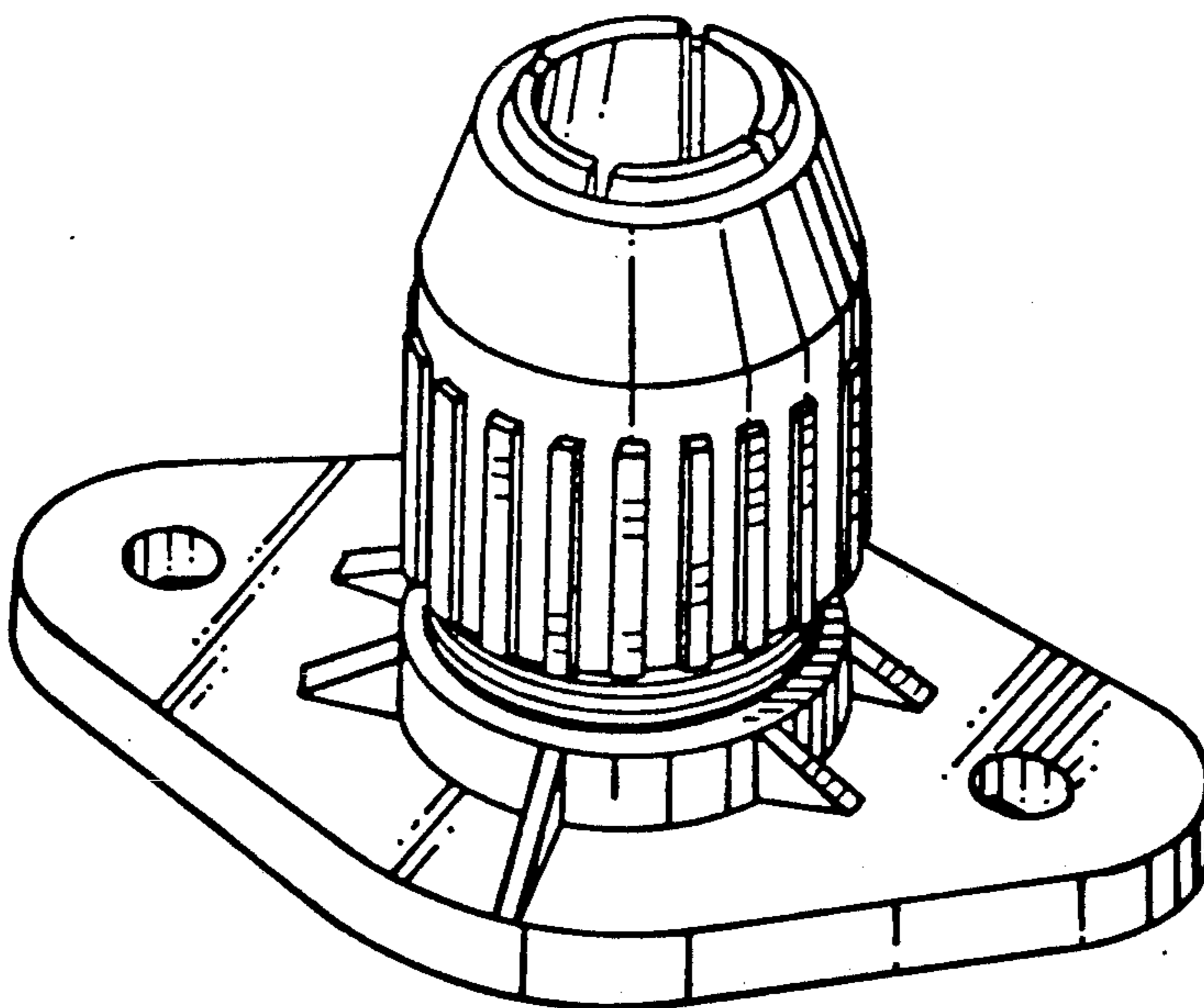
Primary Examiner—Susan J. Lucas
Assistant Examiner—M. H. Tung
Attorney, Agent, or Firm—Robert M. Rodrick; Salvatore J. Abbruzzese

[57] CLAIM

The ornamental design for an electrical connector, as shown and described.

DESCRIPTION

FIG. 1 is a front top perspective view of an electrical connector showing our new design; FIG. 2 is a front elevational view thereof the rear view being identical; FIG. 3 is a side elevational view thereof, the opposite side being identical; FIG. 4 is a top plan view thereof; and, FIG. 5 is a bottom plan view thereof.



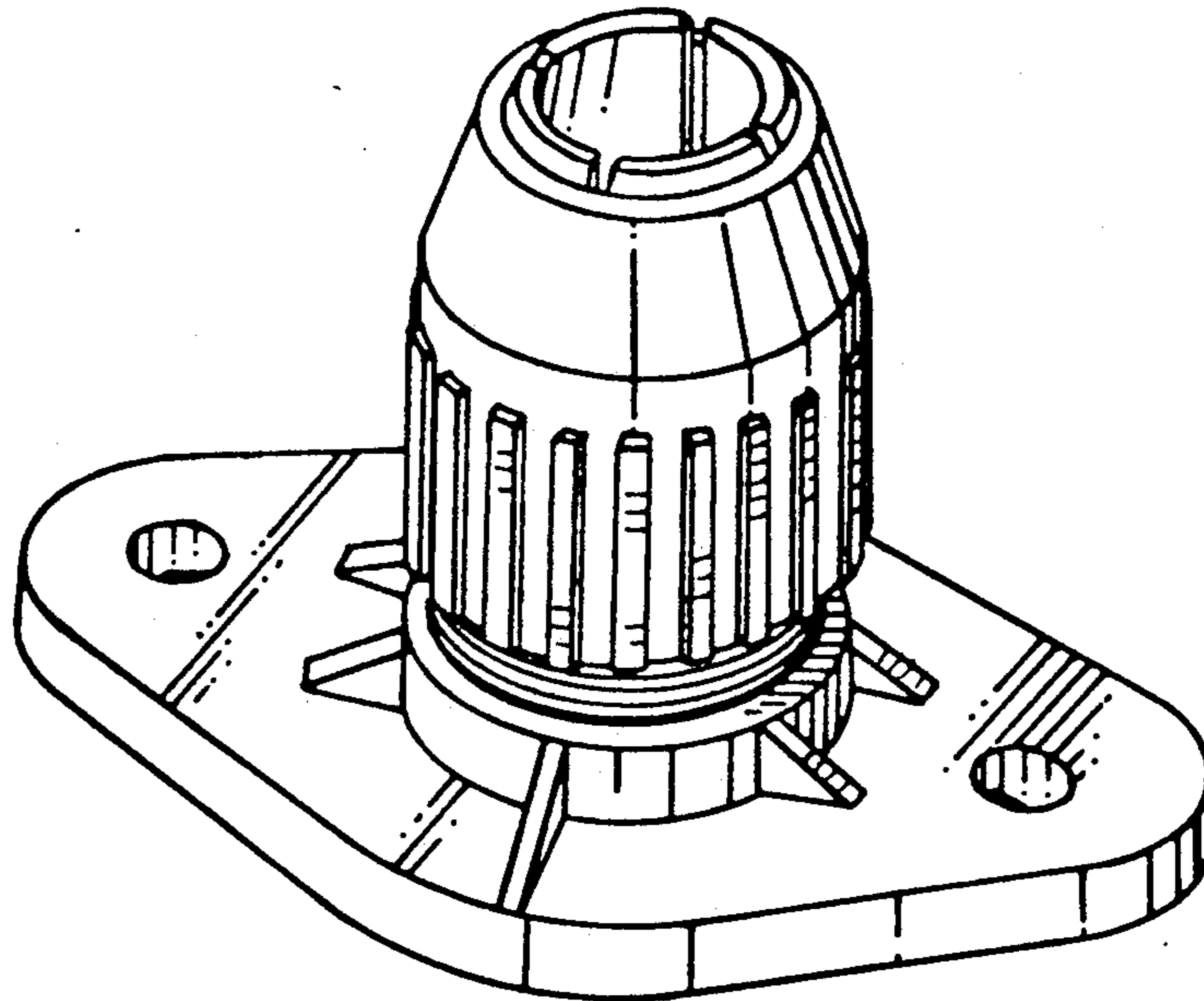


FIG. 1

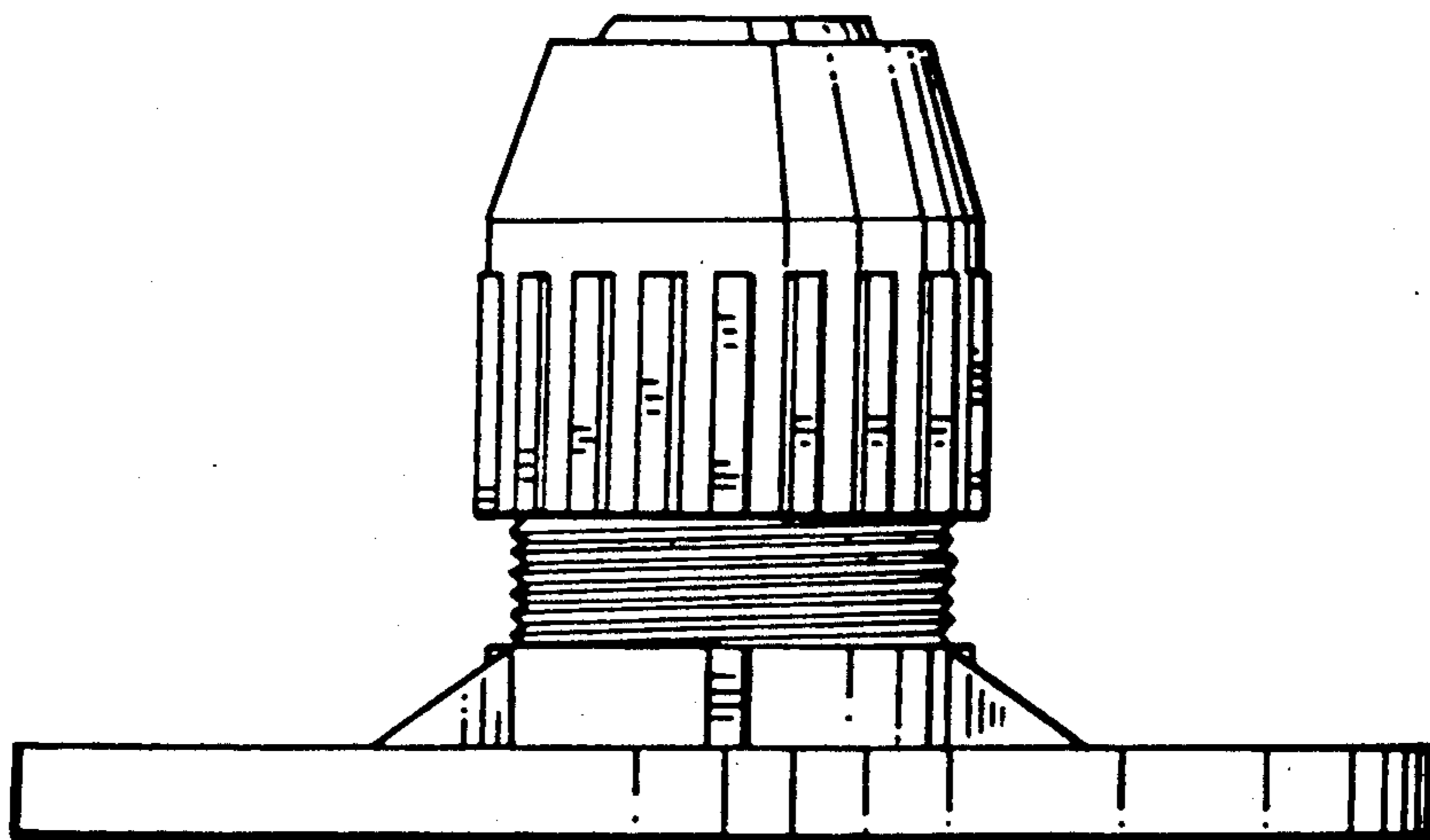


FIG. 2

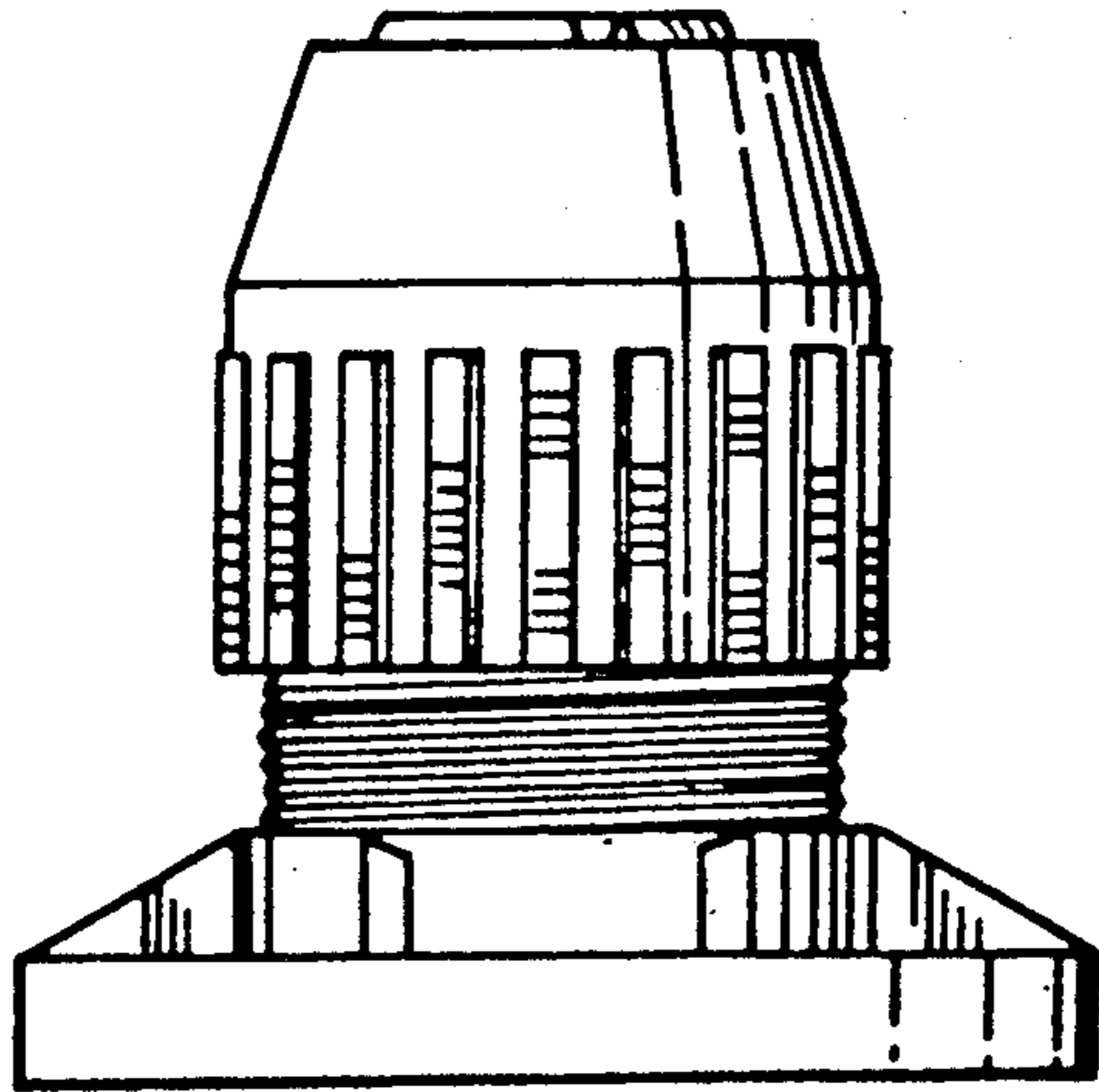


FIG. 3

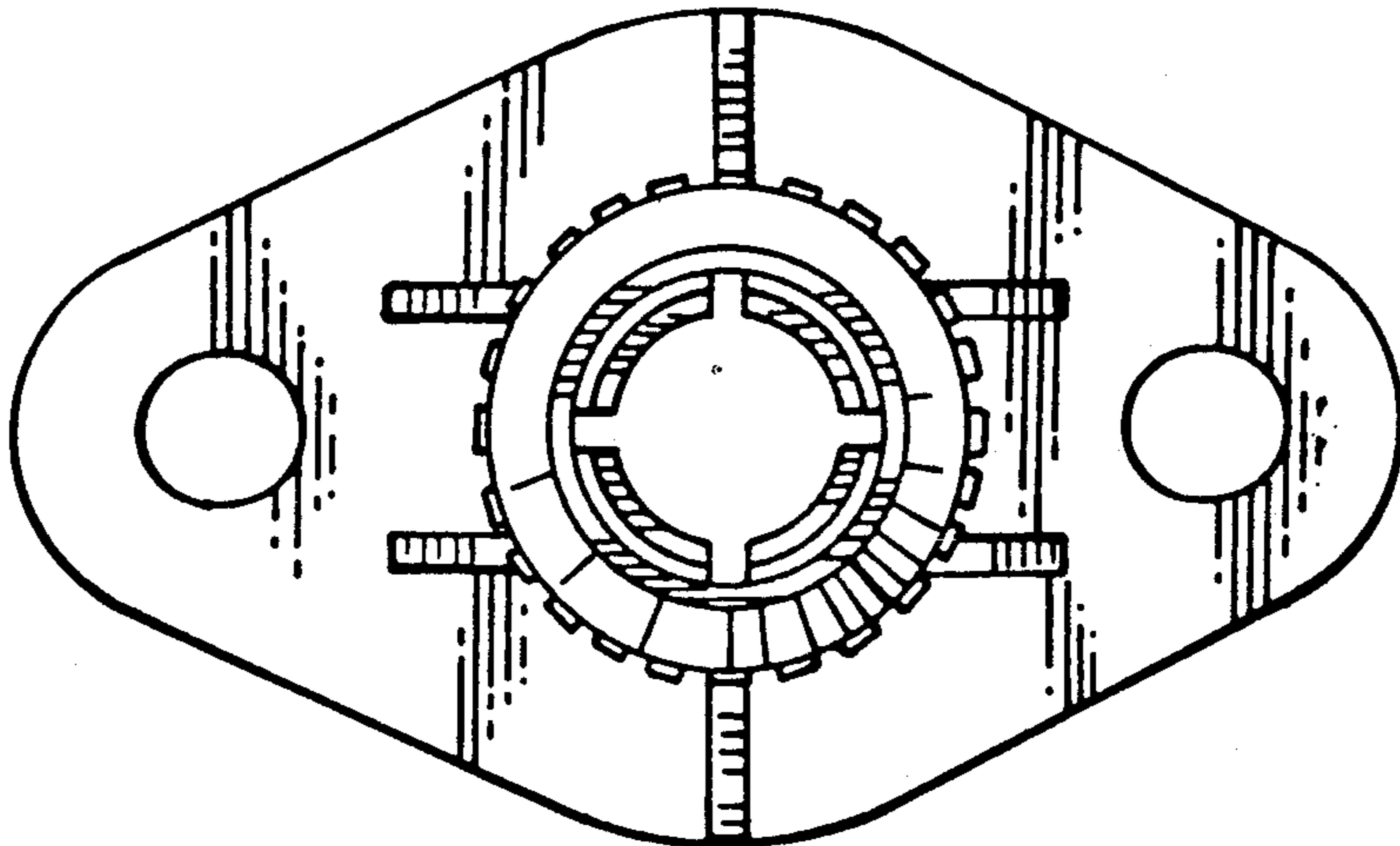


FIG. 4

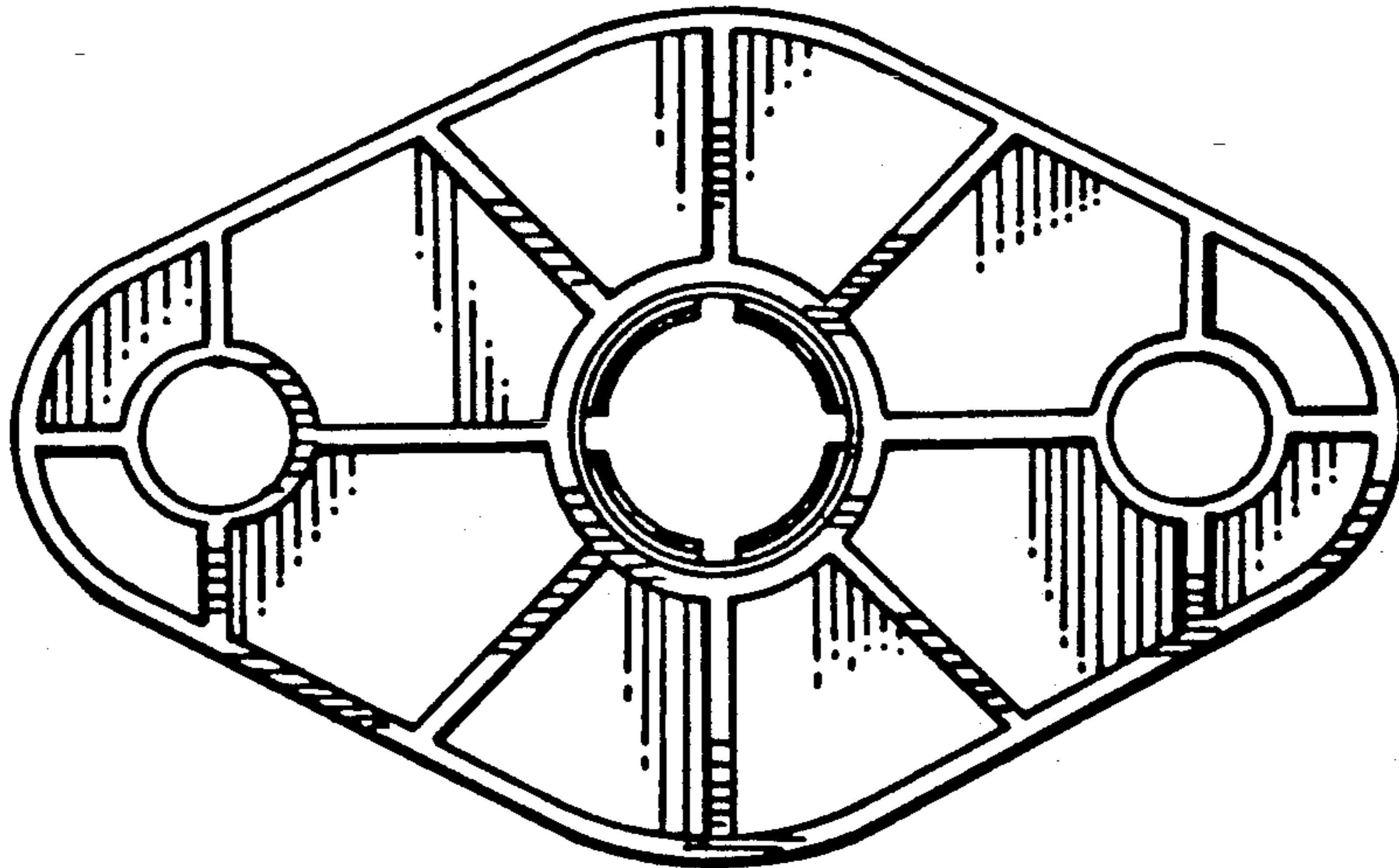


FIG. 5