



US00D328278S

# United States Patent [19]

[11] Patent Number: **Des. 328,278**

Nagasaka et al.

[45] Date of Patent: **\*\* Jul. 28, 1992**

[54] **ELECTRICAL CONNECTOR HOUSING**

[75] Inventors: **Yasuhiro Nagasaka; Yasuo Hirayama; Ichiro Shibata, all of Toyota; Tadahiro Sueyoshi, Shizuoka; Masanori Tsuji, Shizuoka; Yoshihiro Murakami, Shizuoka; Takayuki Yamamoto, Shizuoka; Masaru Fukuda, Shizuoka, all of Japan**

[73] Assignee: **Yazaki Corporation, Tokyo, Japan**

[\*\*] Term: **14 Years**

[21] Appl. No.: **374,863**

[22] Filed: **Jul. 3, 1989**

[30] **Foreign Application Priority Data**

Jan. 6, 1989 [JP] Japan ..... 64-000063

[52] U.S. Cl. .... **D13/133**

[58] Field of Search ..... **D13/146, 147; 439/147, 439/246, 247, 282, 292, 293, 345, 350, 352, 353, 357, 358, 577, 586, 587, 595, 598, 600, 680, 686, 695, 701, 724**

[56] **References Cited**

**U.S. PATENT DOCUMENTS**

D. 252,082 6/1979 Voelkert ..... D13/146  
D. 308,511 6/1990 Makita et al. .... D13/146

D. 310,994 10/1990 Yagi et al. .... D13/146  
D. 311,518 10/1990 Kuzuno et al. .... D13/146  
4,772,229 9/1988 Nix et al. .... 439/752 X  
4,867,699 9/1989 Oda et al. .... 439/350 X

**OTHER PUBLICATIONS**

Connectors pictured on p. 348 of article entitled Versatility in a Sealed Connector.

*Primary Examiner*—Wallace R. Burke  
*Assistant Examiner*—Joel Sincavage  
*Attorney, Agent, or Firm*—Armstrong, Nikaido, Marmelstein, Kubovcik & Murray

[57] **CLAIM**

The ornamental design for an electrical connector housing, as shown and described.

**DESCRIPTION**

FIG. 1 is a top plan view of an electrical connector housing showing our new design; FIG. 2 is a front elevational view thereof; FIG. 3 is a bottom plan view thereof; FIG. 4 is a rear elevational view thereof; FIG. 5 is a right side elevational view thereof; FIG. 6 is a left side elevational view thereof; FIG. 7 is a cross-sectional view thereof, taken along line 7—7 of FIG. 2; and, FIG. 8 is a perspective view thereof taken from the rear and upper left.

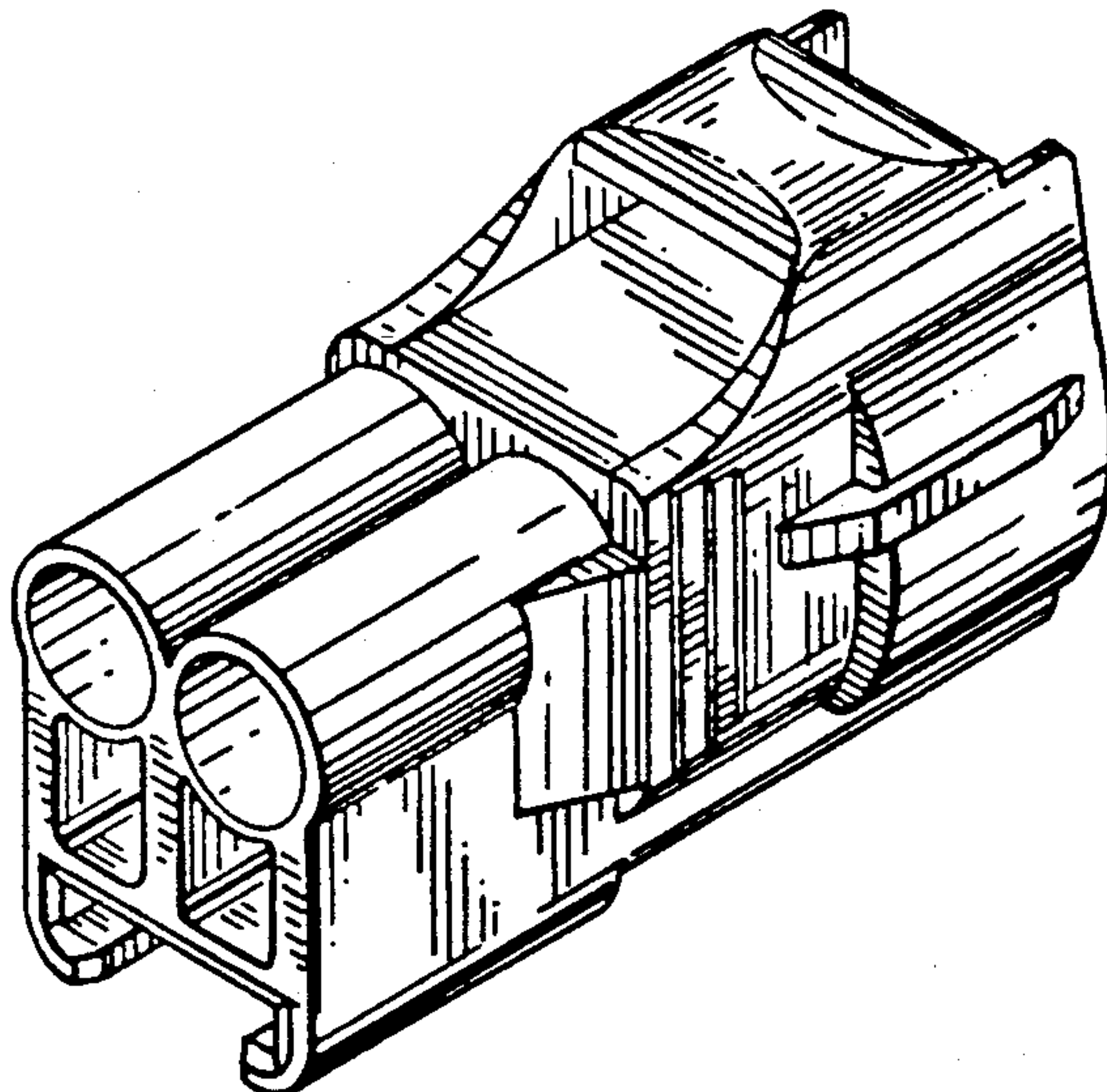


FIG. 1

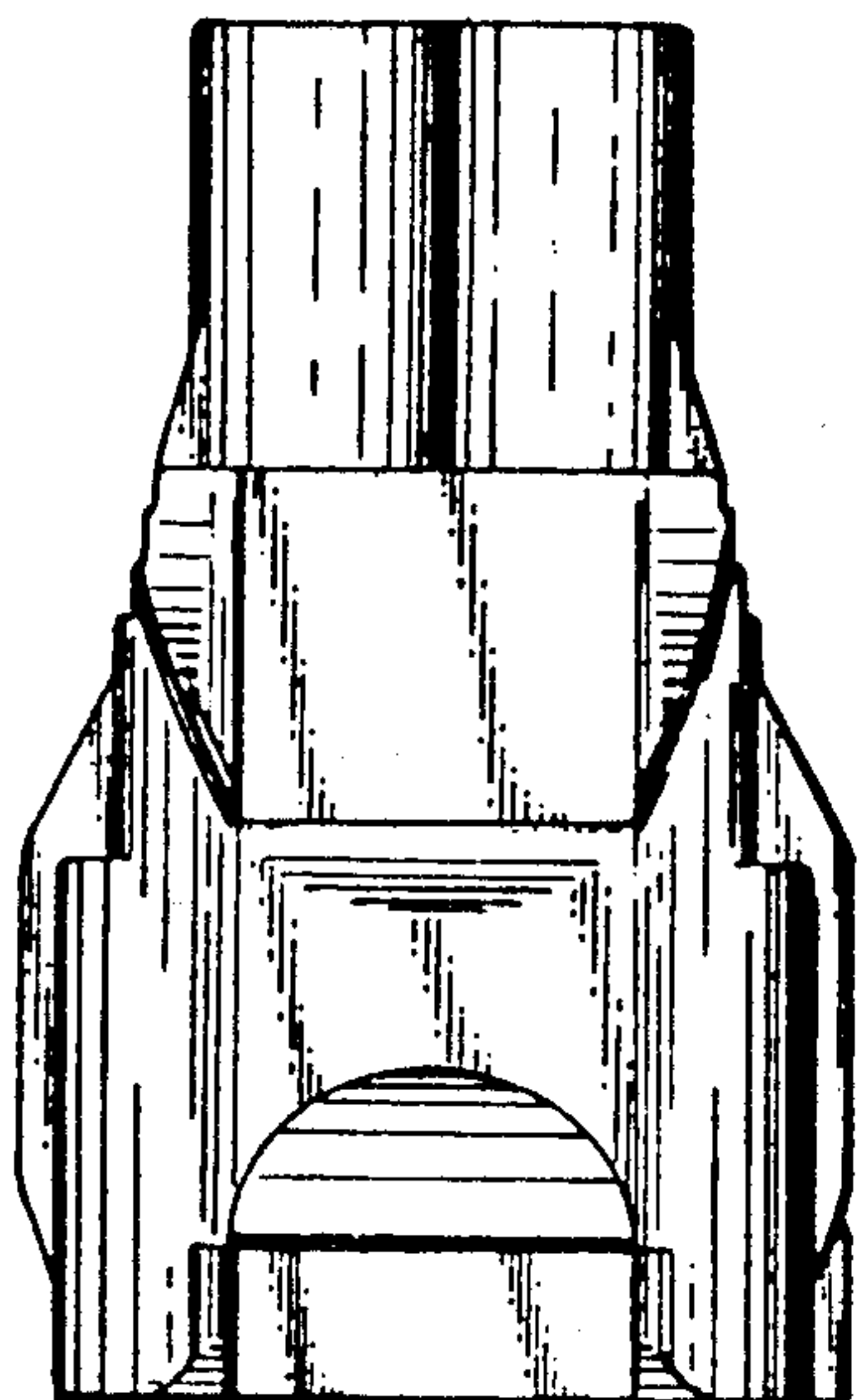


FIG. 3

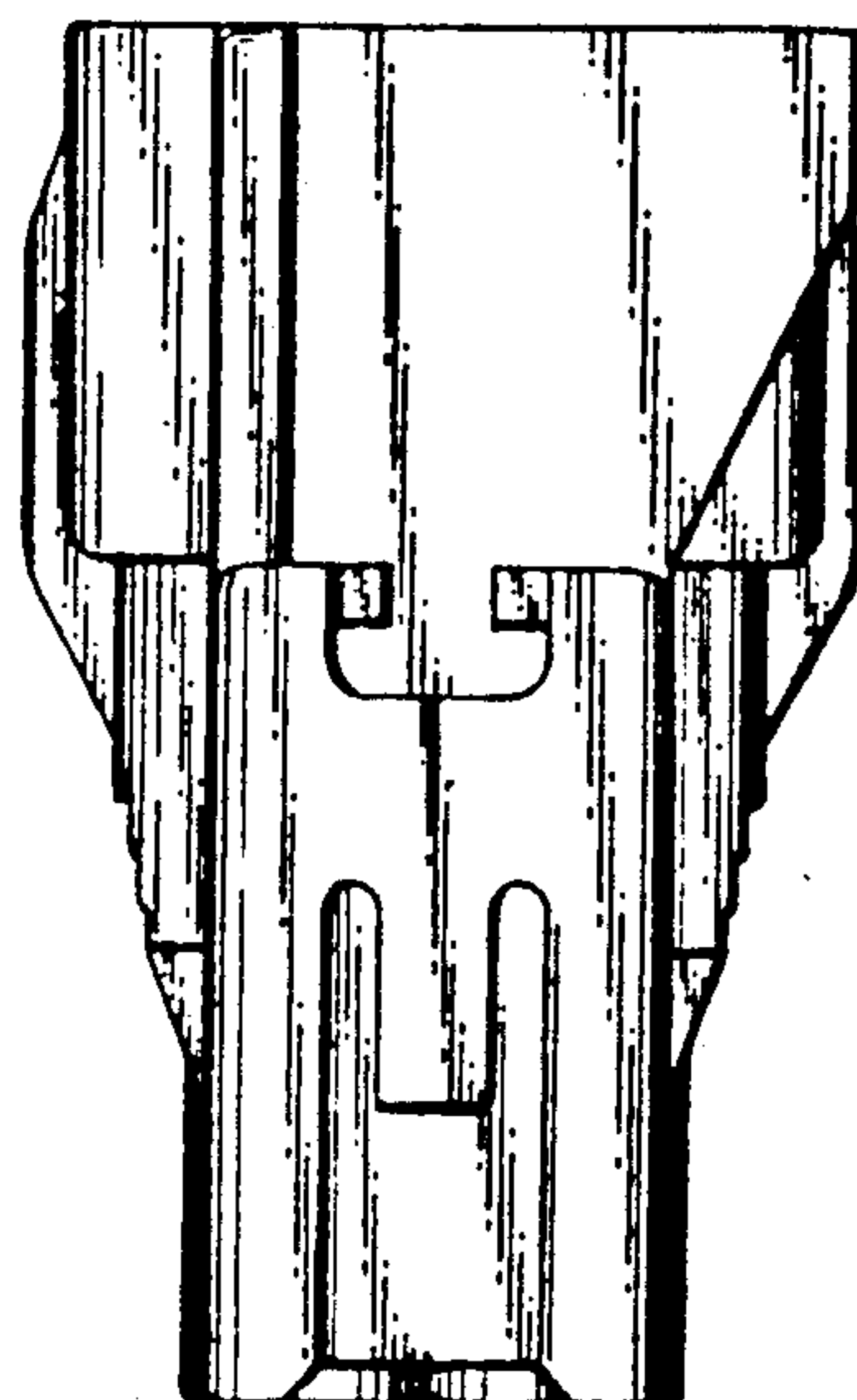
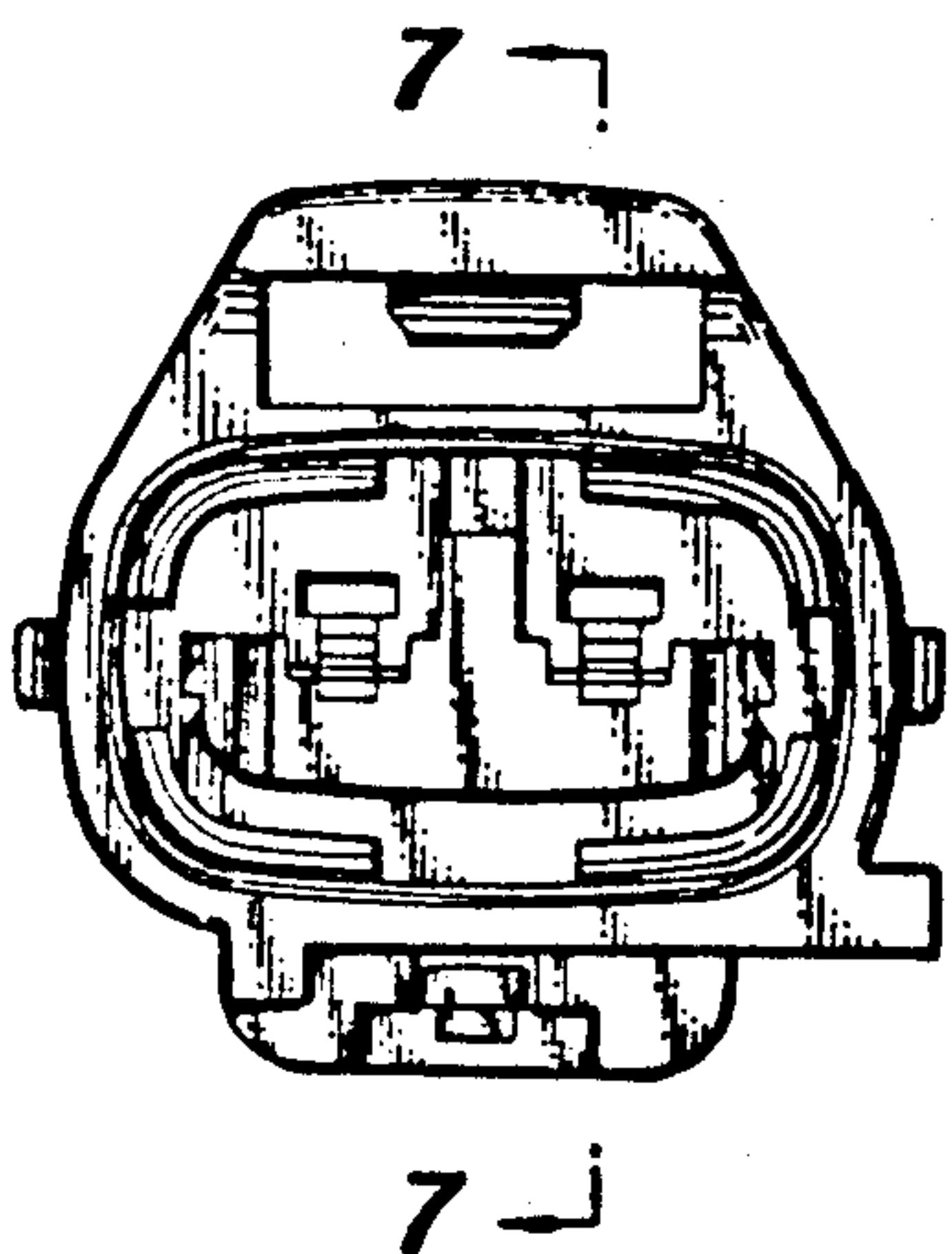


FIG. 2



7-7

7-7

FIG. 4

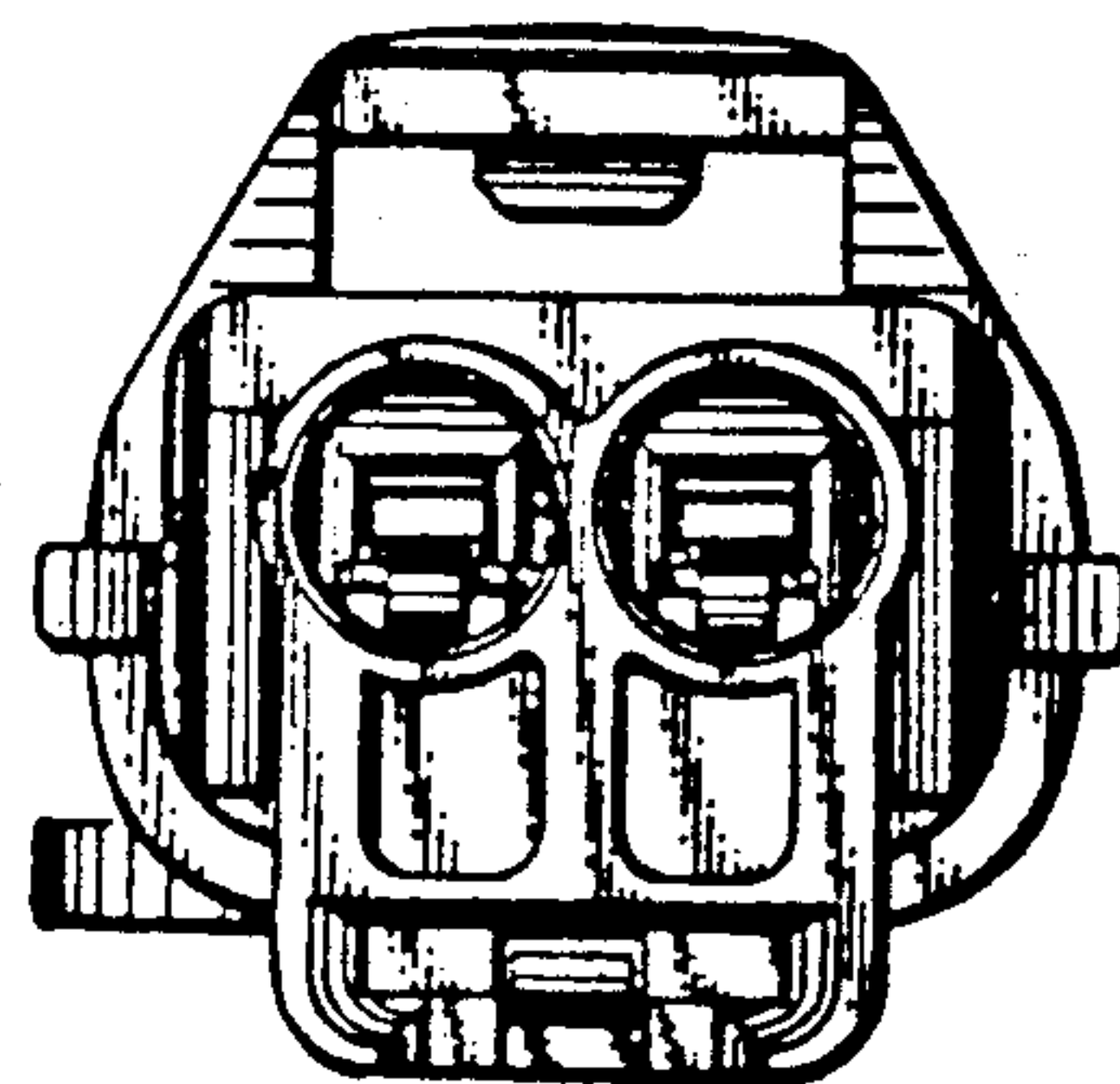


FIG. 5

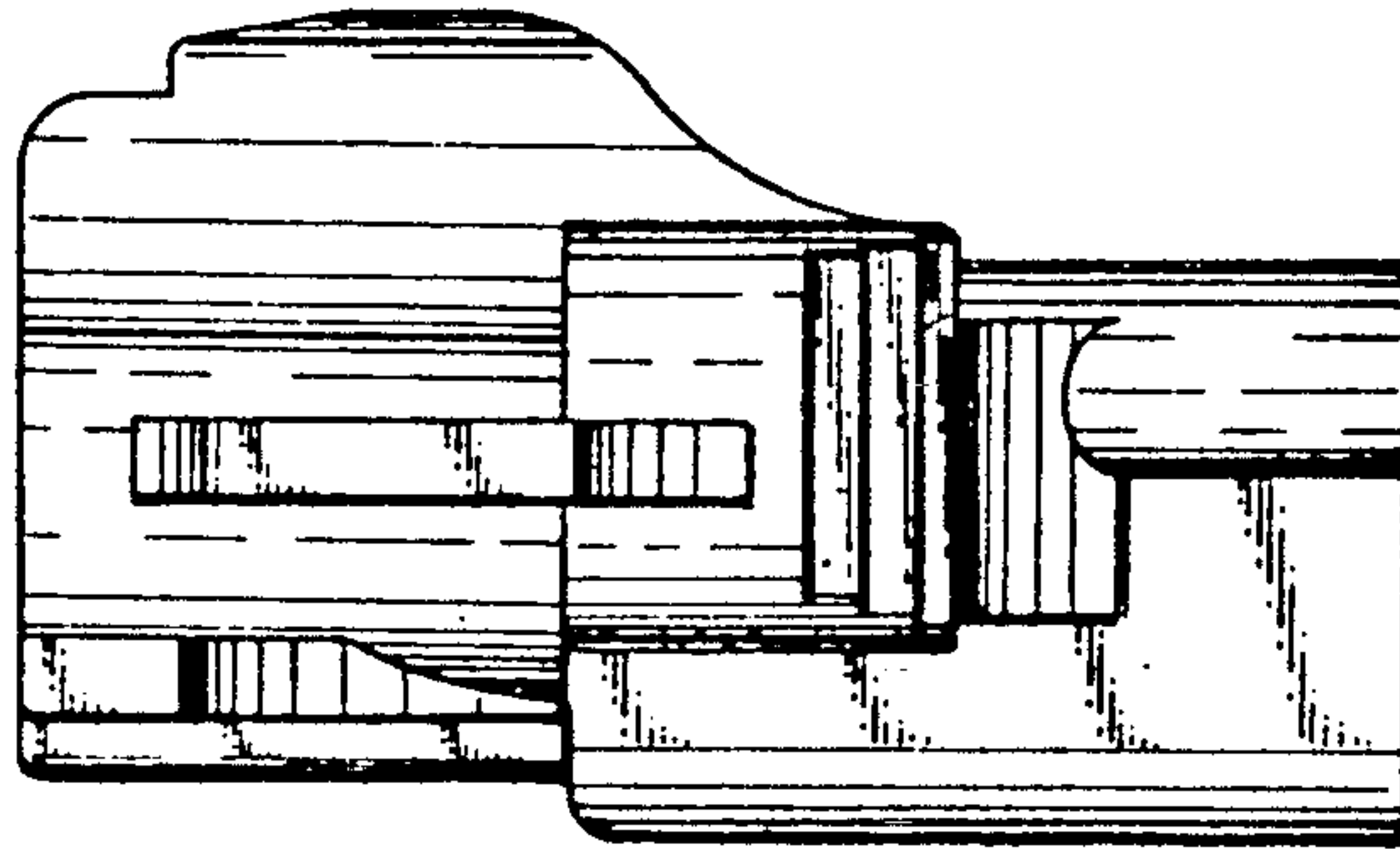


FIG. 6

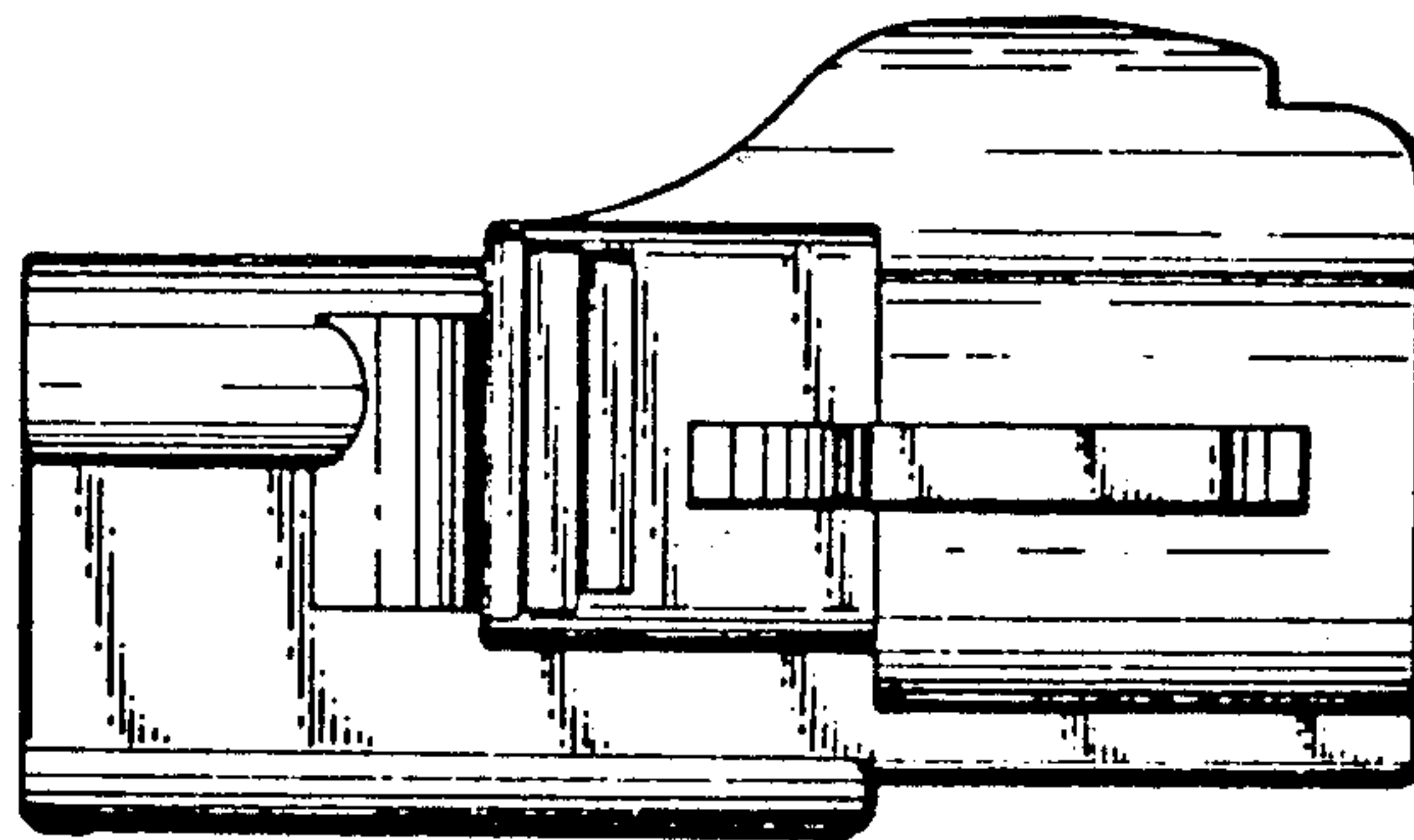
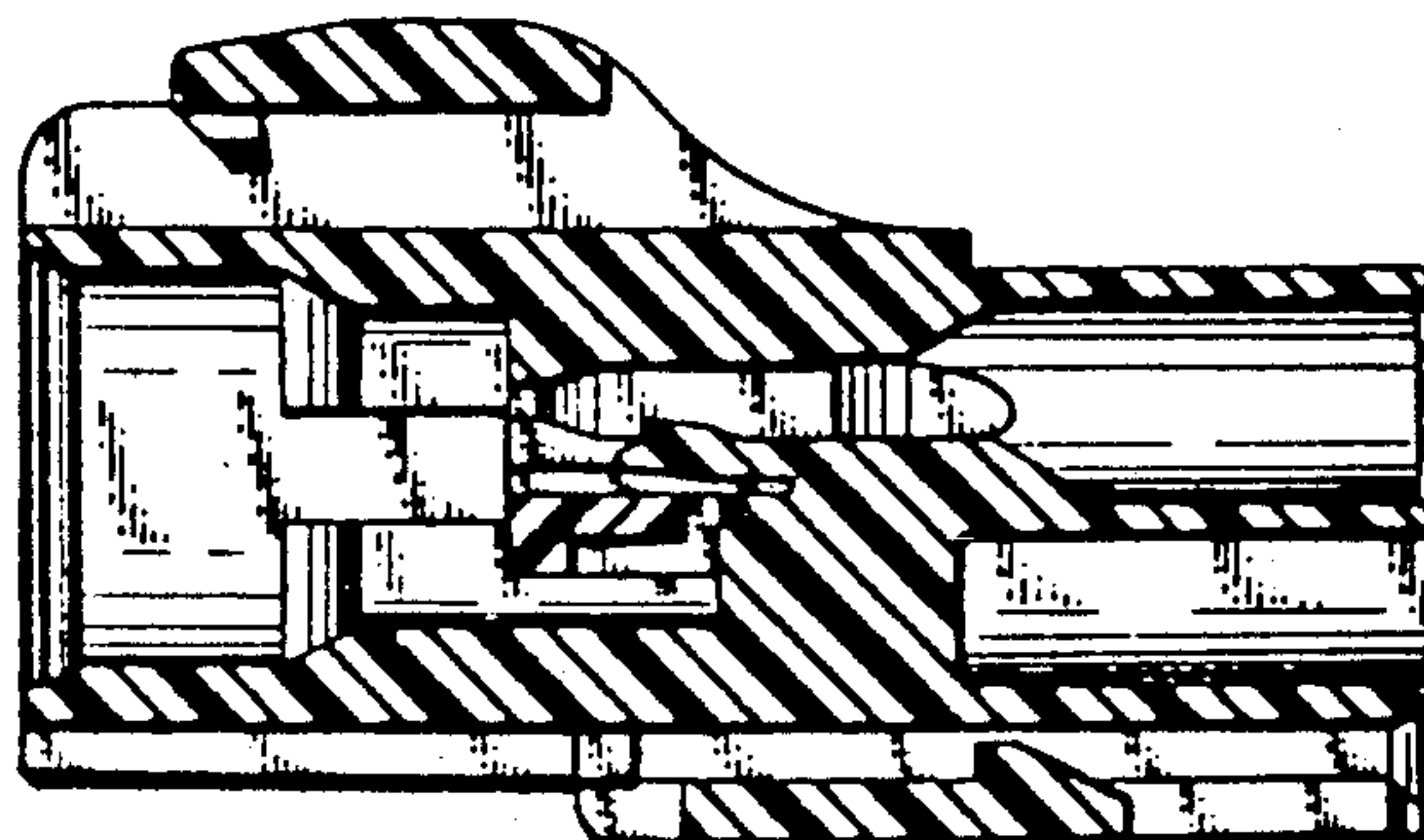


FIG. 7



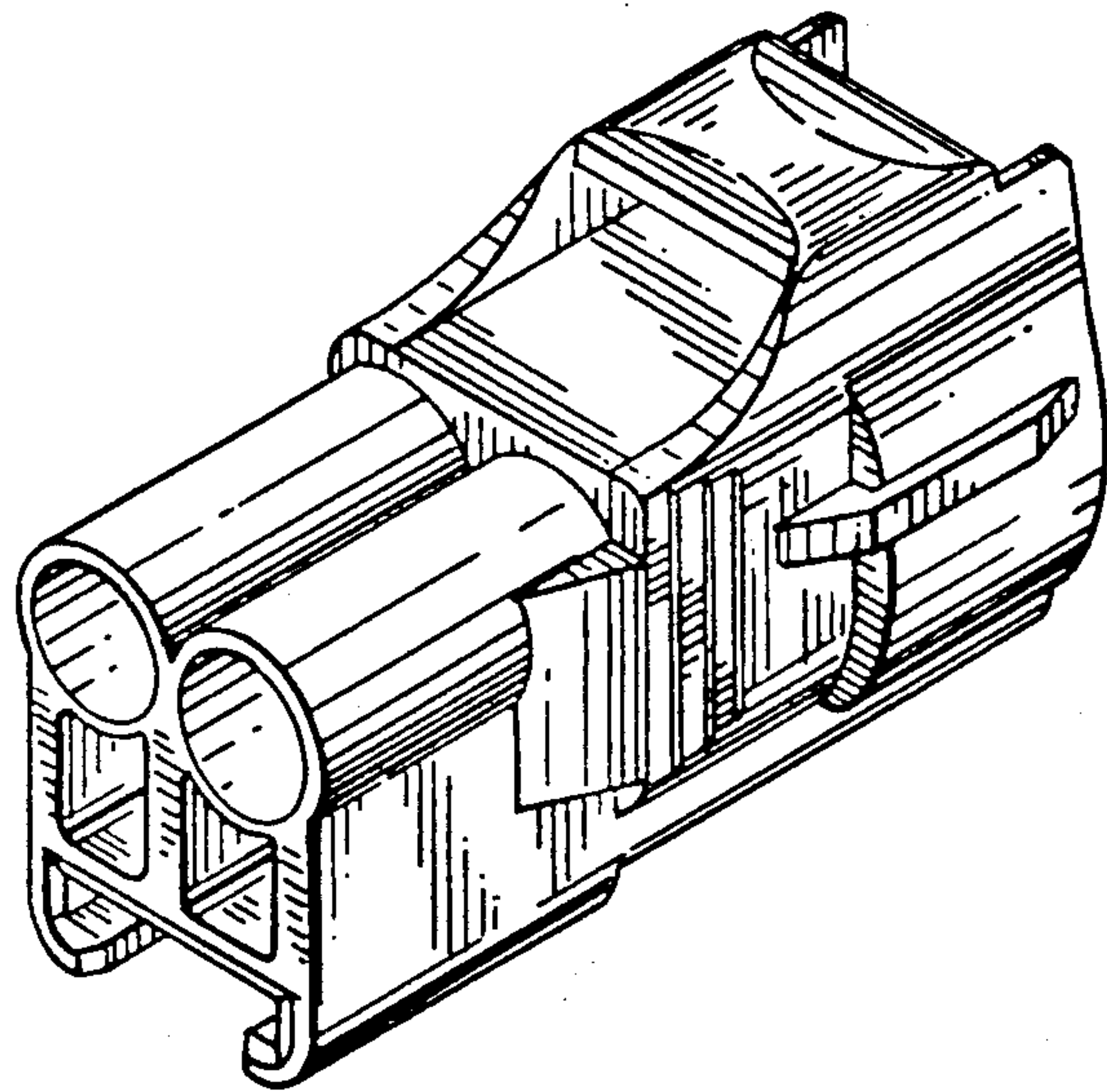


FIG. 8