



US00D328276S

# United States Patent [19]

[11] Patent Number: **Des. 328,276**

Koinuma

[45] Date of Patent: **\*\* Jul. 28, 1992**

[54] **COMBINED AC ADAPTER AND BATTERY CHARGER**

### FOREIGN PATENT DOCUMENTS

0074033 3/1989 Japan ..... 320/2

[75] Inventor: Masahiro Koinuma, Tokyo, Japan

*Primary Examiner*—Susan J. Lucas

*Assistant Examiner*—Joel Sincavage

[73] Assignee: Asahi Kogaku Kogyo K.K., Tokyo, Japan

*Attorney, Agent, or Firm*—Sughrue, Min, Zinn, Macpeak & Seas

[\*\*] Term: 14 Years

### [57] CLAIM

The ornamental design for a combined AC adapter and battery charger, as shown and described.

[21] Appl. No.: 548,636

### DESCRIPTION

[22] Filed: Jul. 5, 1990

FIG. 1 is a front and upper right perspective view of a combined AC adapter and battery charger showing my new design;

### [30] Foreign Application Priority Data

Feb. 5, 1990 [JP] Japan ..... 2-3246

FIG. 2 is a front and upper right perspective view of a combined AC adapter and battery charger showing my new design with the sliding cover in the closed position;

[52] U.S. Cl. .... D13/107

FIG. 3 is a left side elevational view of a combined AC adapter and battery charger showing my new design with the sliding cover in the open position;

[58] Field of Search ..... D13/107, 108; 320/23; 307/150

FIG. 4 is a right side elevational view thereof;

### [56] References Cited

#### U.S. PATENT DOCUMENTS

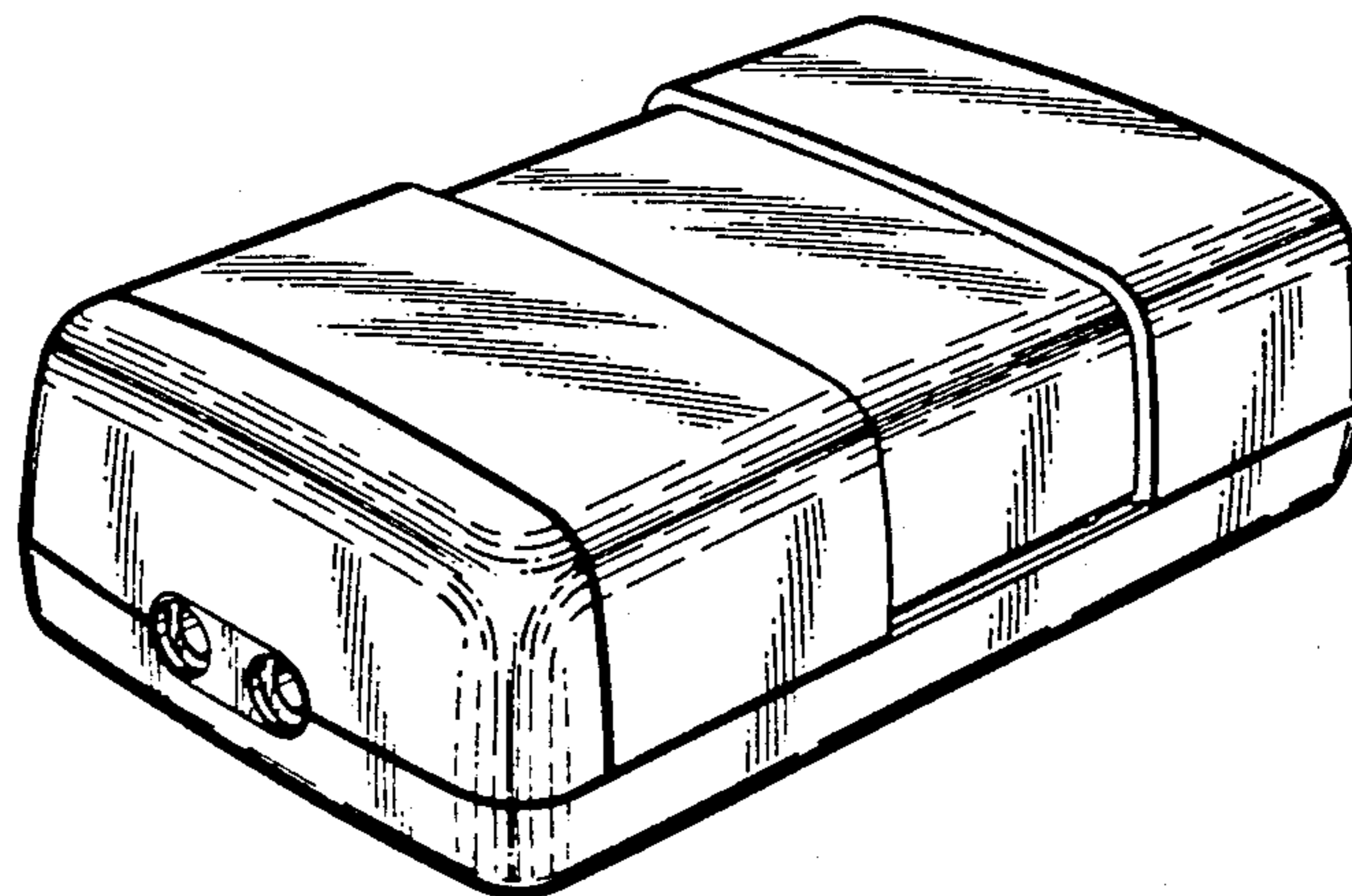
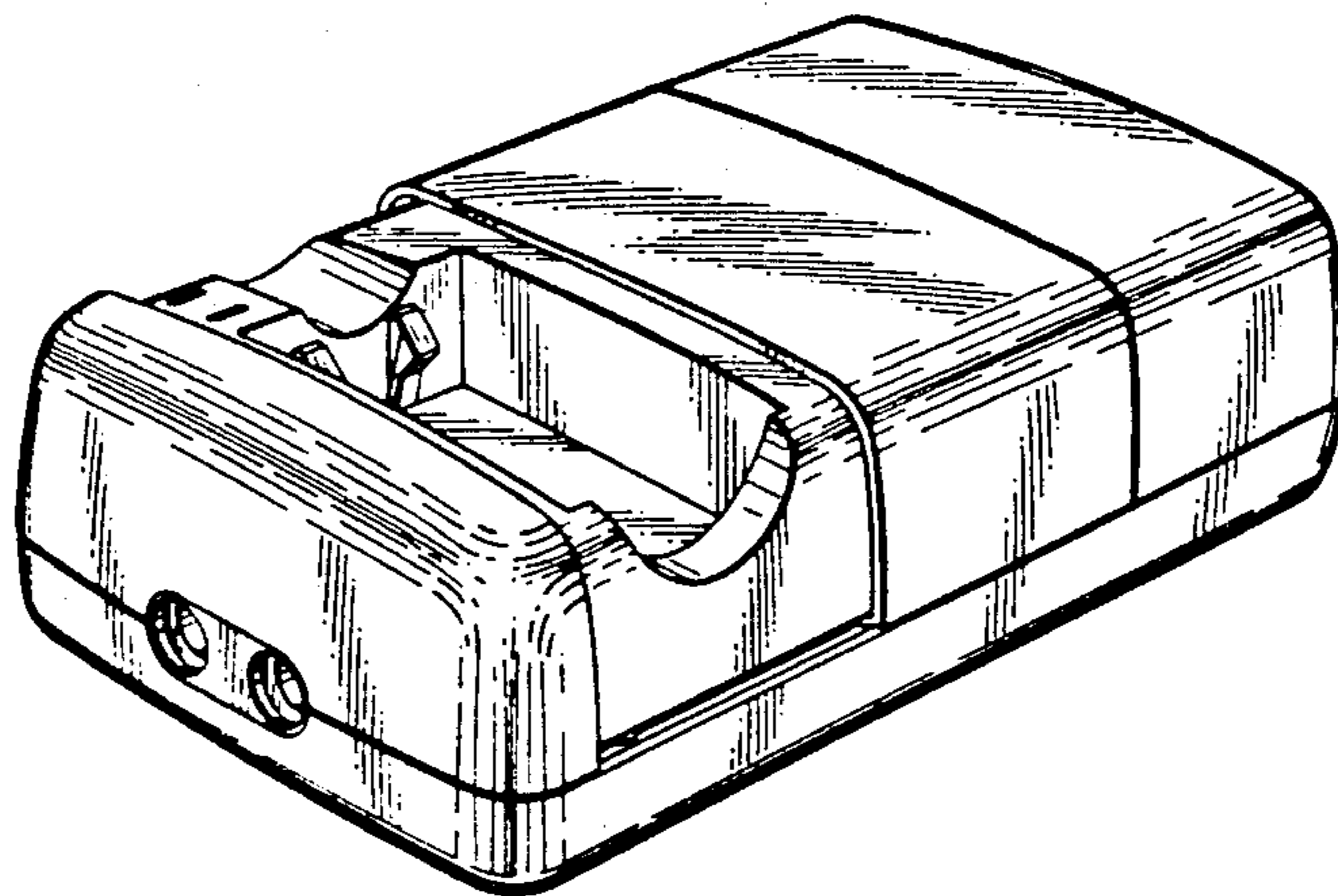
D. 310,203 8/1990 Takahashi et al. .... D13/107  
5,019,767 5/1991 Shirai et al. .... 307/150 X

FIG. 5 is a top plan view thereof;

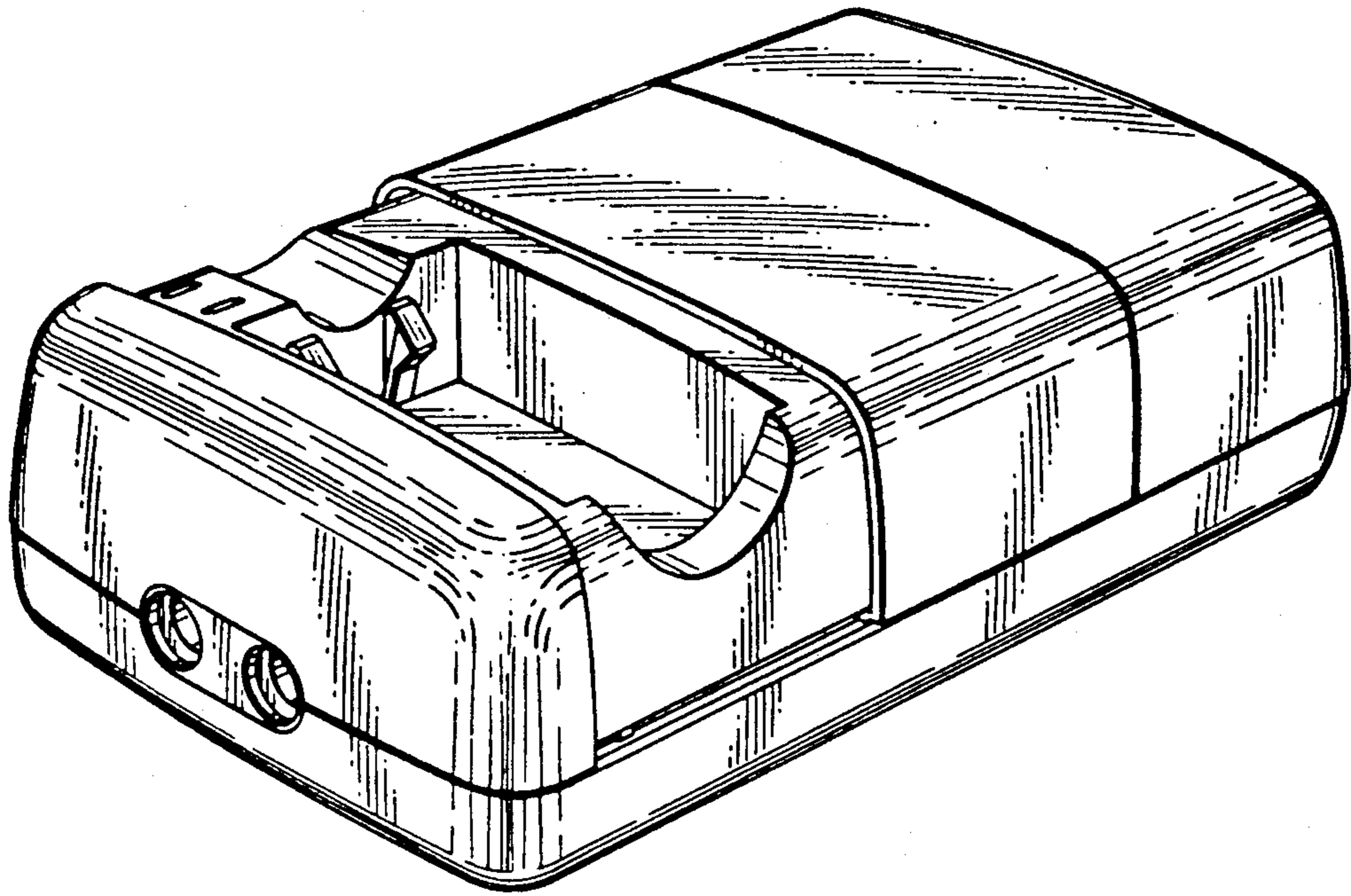
FIG. 6 is a bottom plan view thereof;

FIG. 7 is a front elevational view thereof; and,

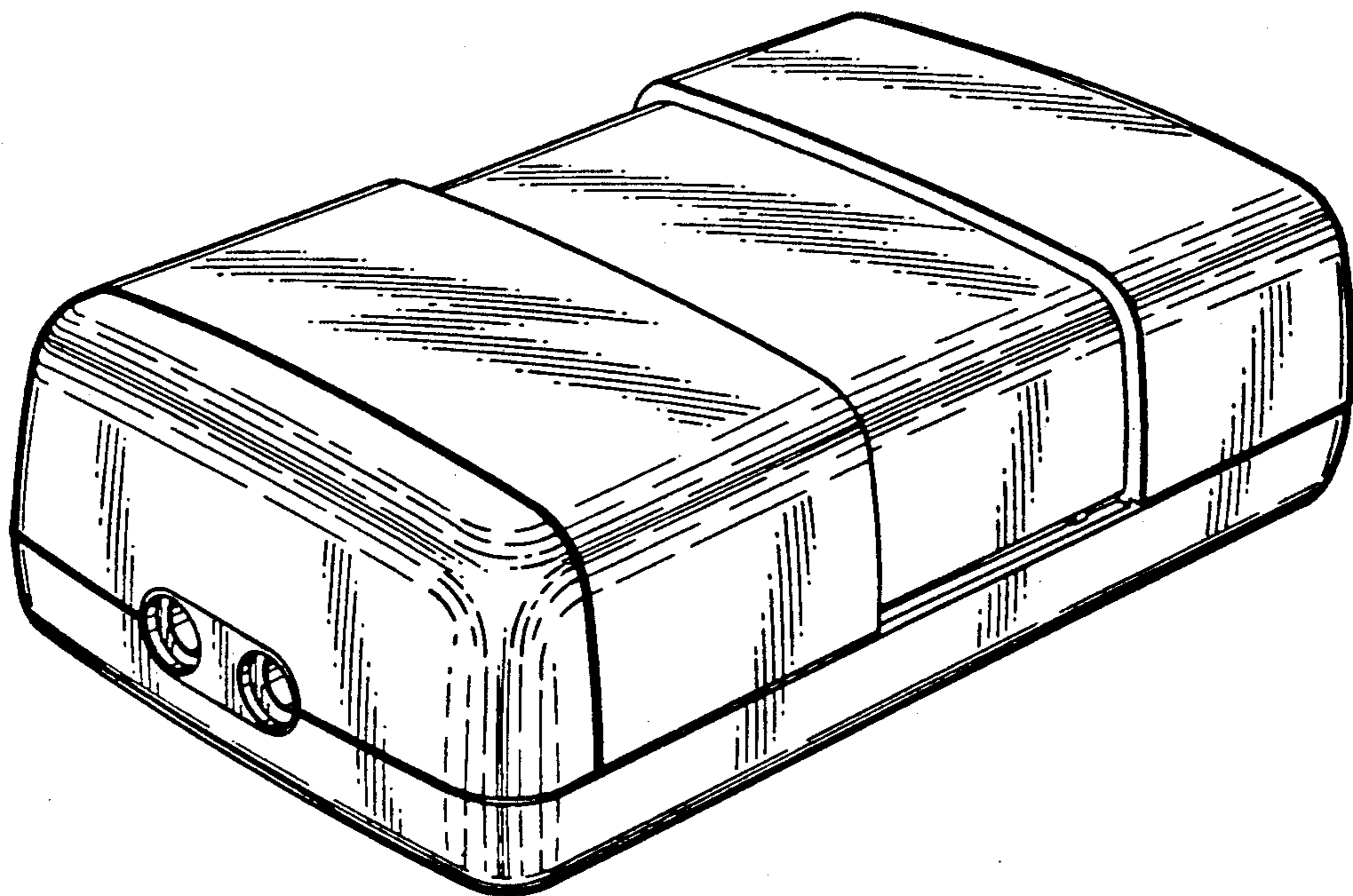
FIG. 8 is a rear elevational view thereof.



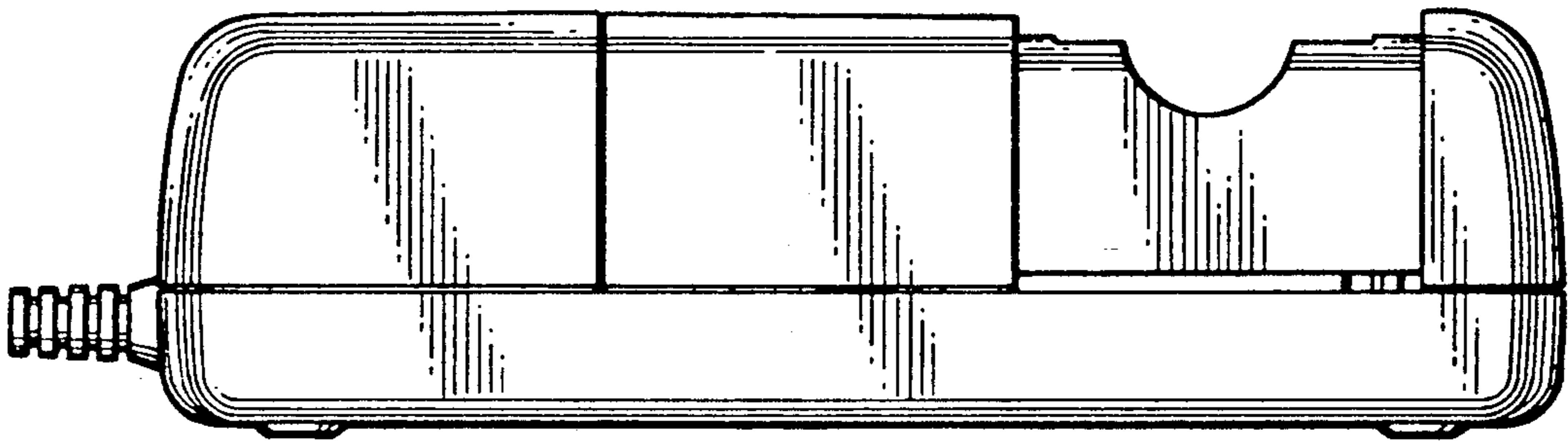
*Fig. 1*



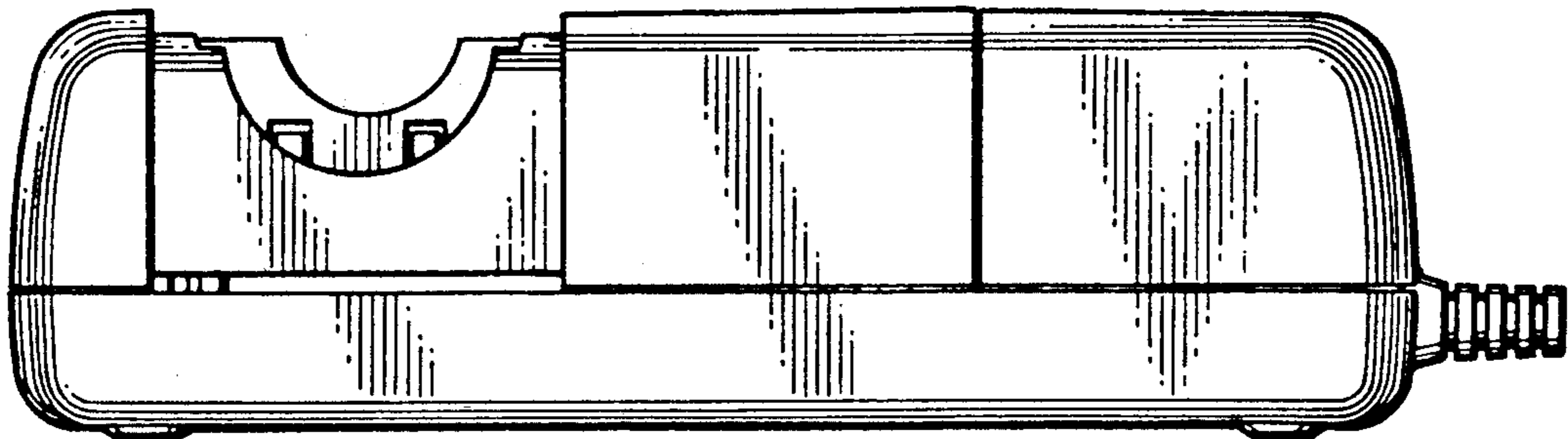
*Fig. 2*



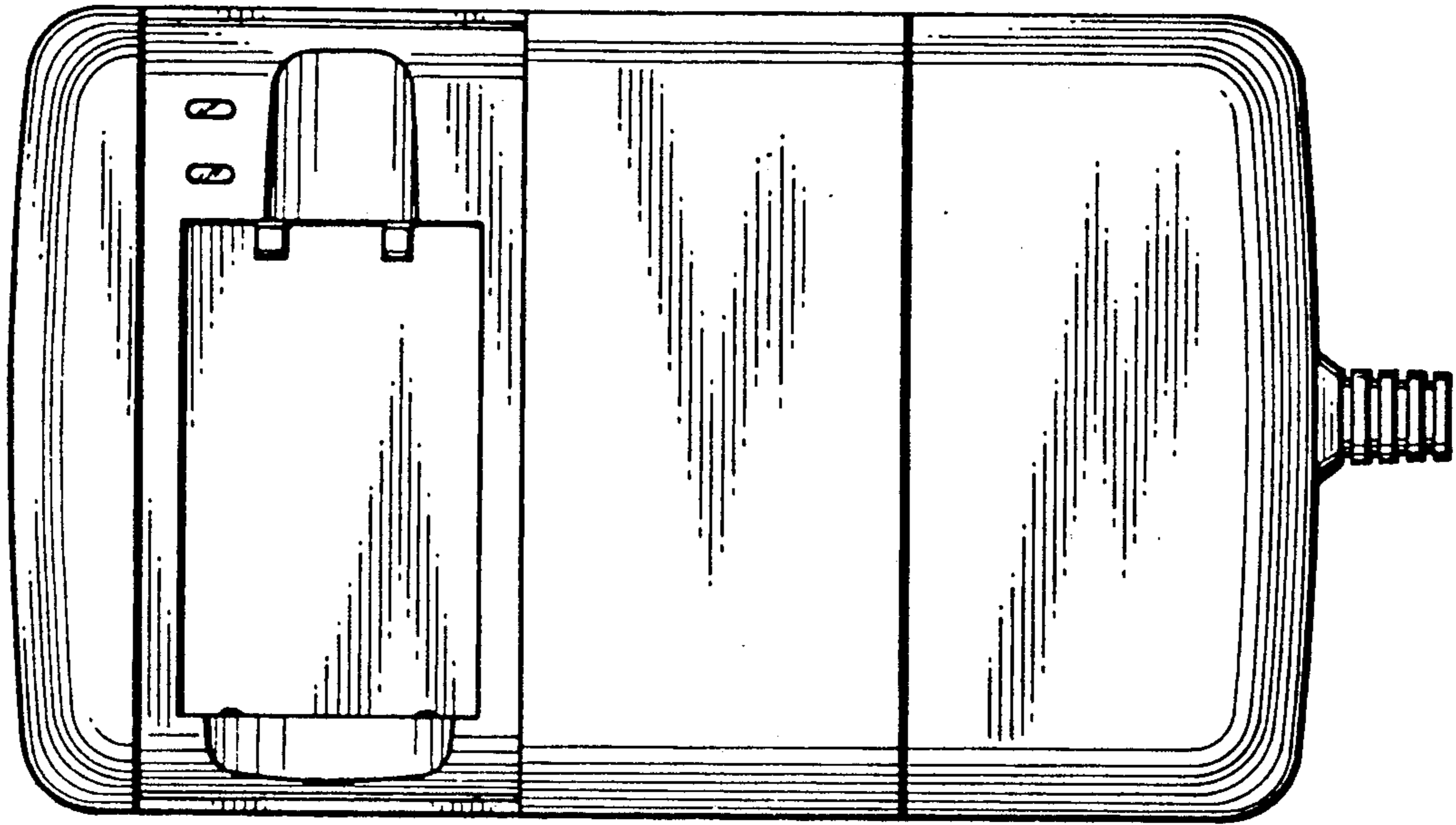
*Fig.3*



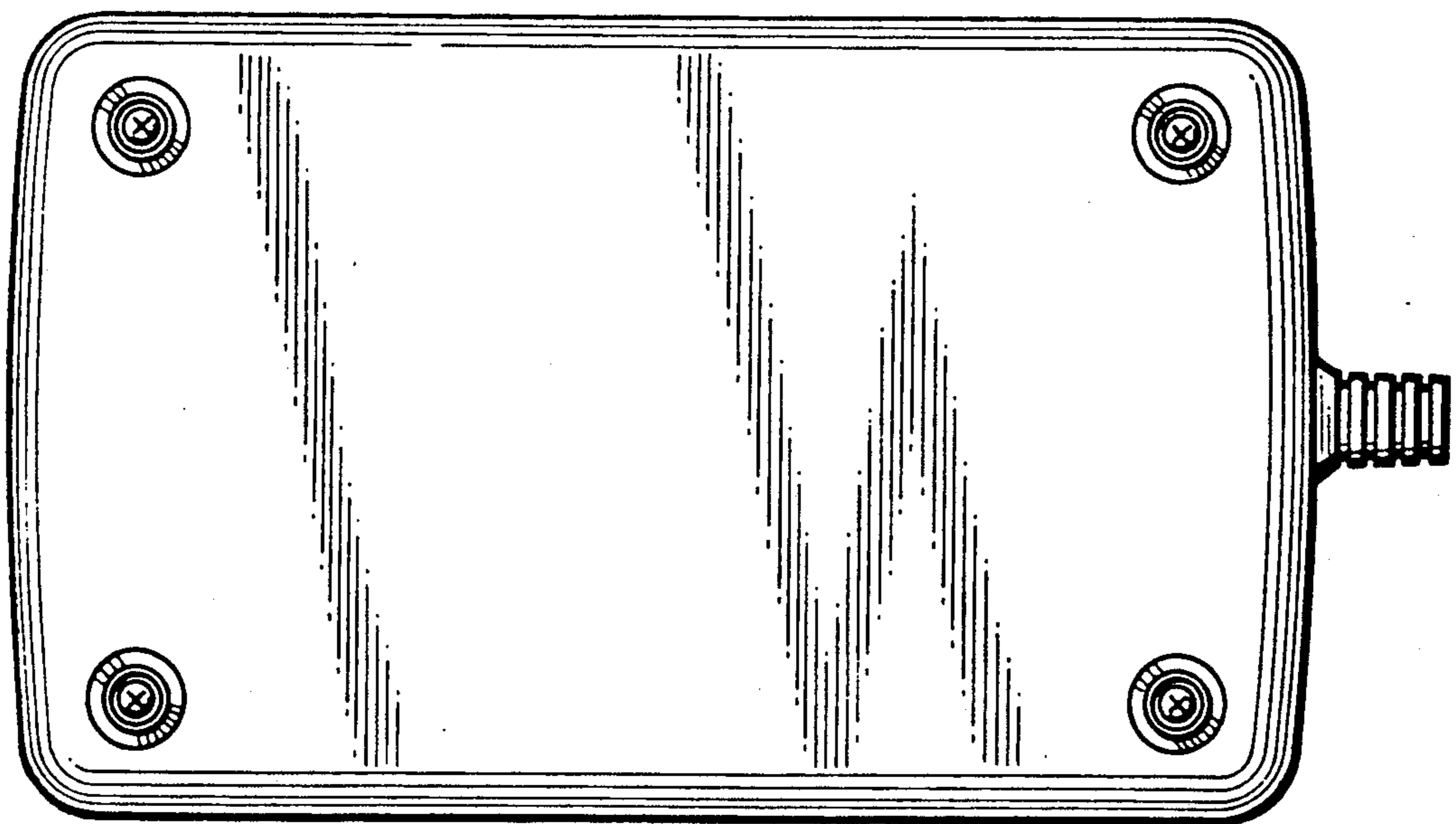
*Fig.4*



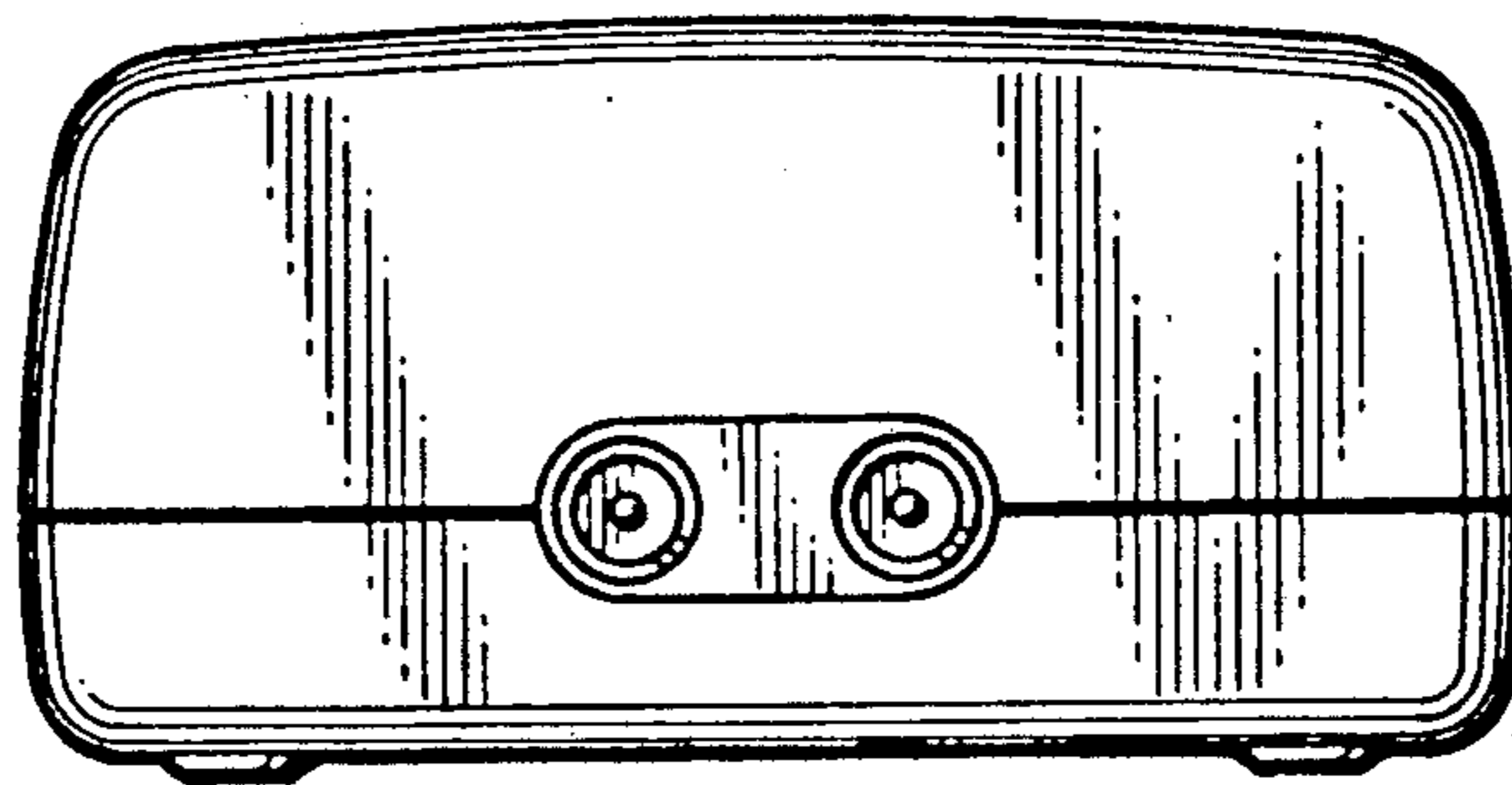
*Fig.5*



*Fig.6*



*Fig.7*



*Fig.8*

