



US00D328266S

United States Patent [19]

Cummings

[11] Patent Number: **Des. 328,266**

[45] Date of Patent: **** Jul. 28, 1992**

[54] TRICYCLE

[76] Inventor: Darold B. Cummings, 5320 W. 124th Pl., Hawthorne, Calif. 90250

[**] Term: 14 Years

[21] Appl. No.: 604,600

[22] Filed: Oct. 29, 1990

[52] U.S. Cl. D12/112

[58] Field of Search D12/112; 280/282, 267

[56] **References Cited**

U.S. PATENT DOCUMENTS

- D. 290,451 6/1987 Evgum D12/112
- D. 306,988 4/1990 Cummings D12/112
- D. 320,586 10/1991 Fellinghusen D12/112

- 4,863,183 9/1989 Hwang et al. 280/267
- 4,917,396 4/1990 Mereses et al. 280/267

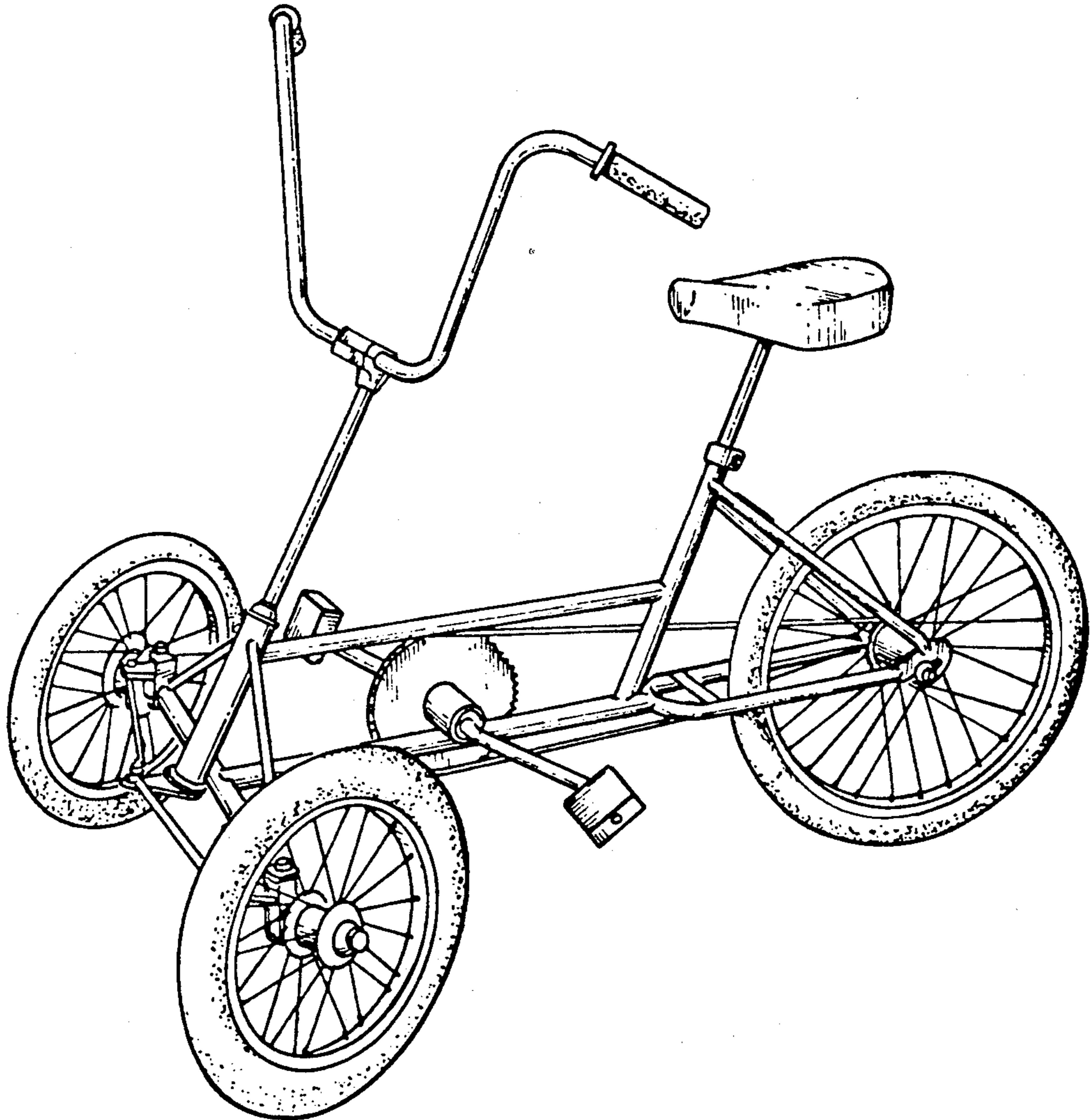
Primary Examiner—James M. Gandy
Assistant Examiner—Melody Brown
Attorney, Agent, or Firm—Charles Silberberg

[57] **CLAIM**

The ornamental design for a tricycle, as shown.

DESCRIPTION

FIG. 1 is a front, top, and left side perspective view of a tricycle showing my new design; FIG. 2 is a right side elevational view thereof; FIG. 3 is a front elevational view thereof; FIG. 4 is a rear elevational view thereof; FIG. 5 is a top plan view thereof; and, FIG. 6 is a bottom plan view thereof.



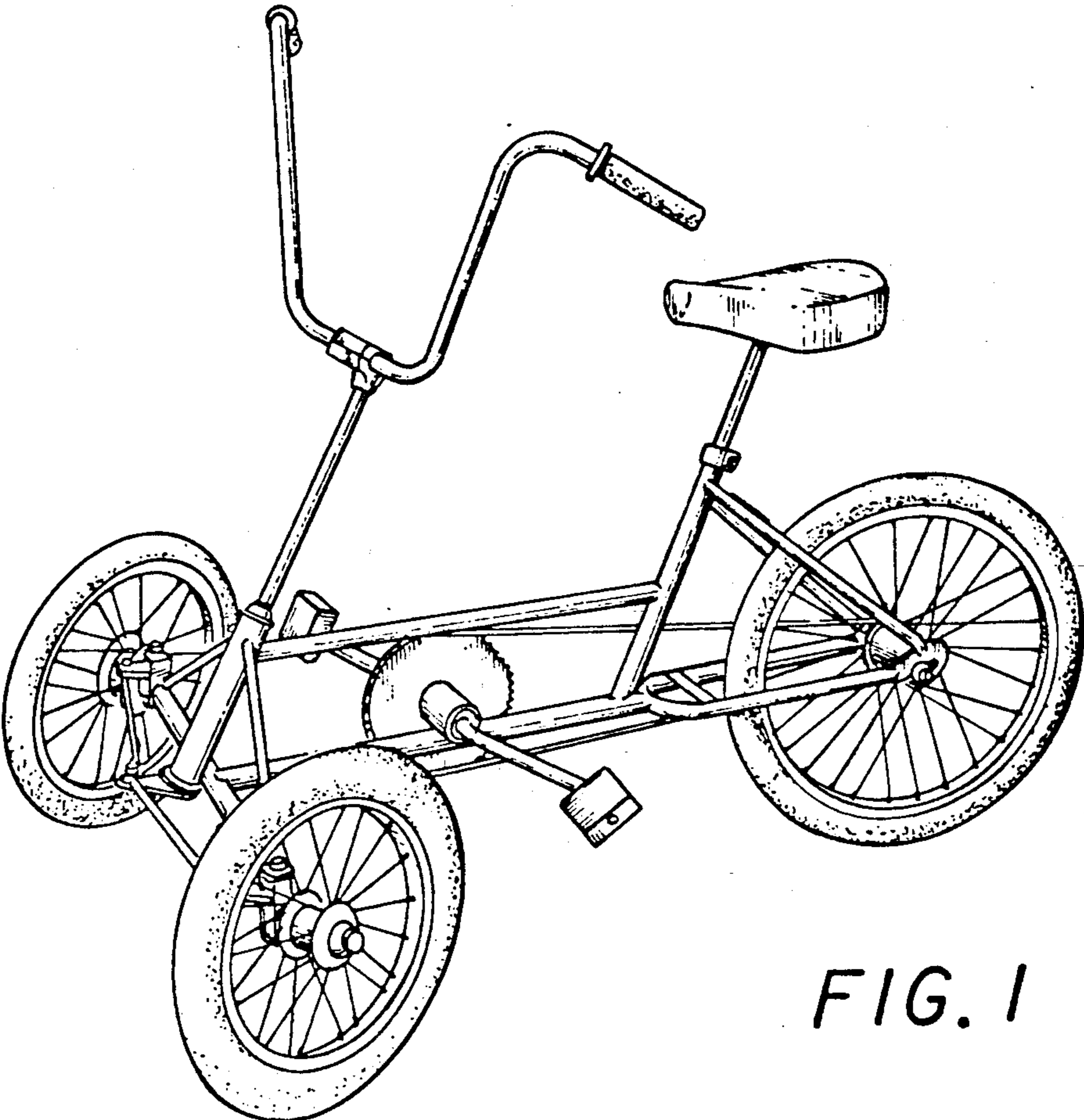
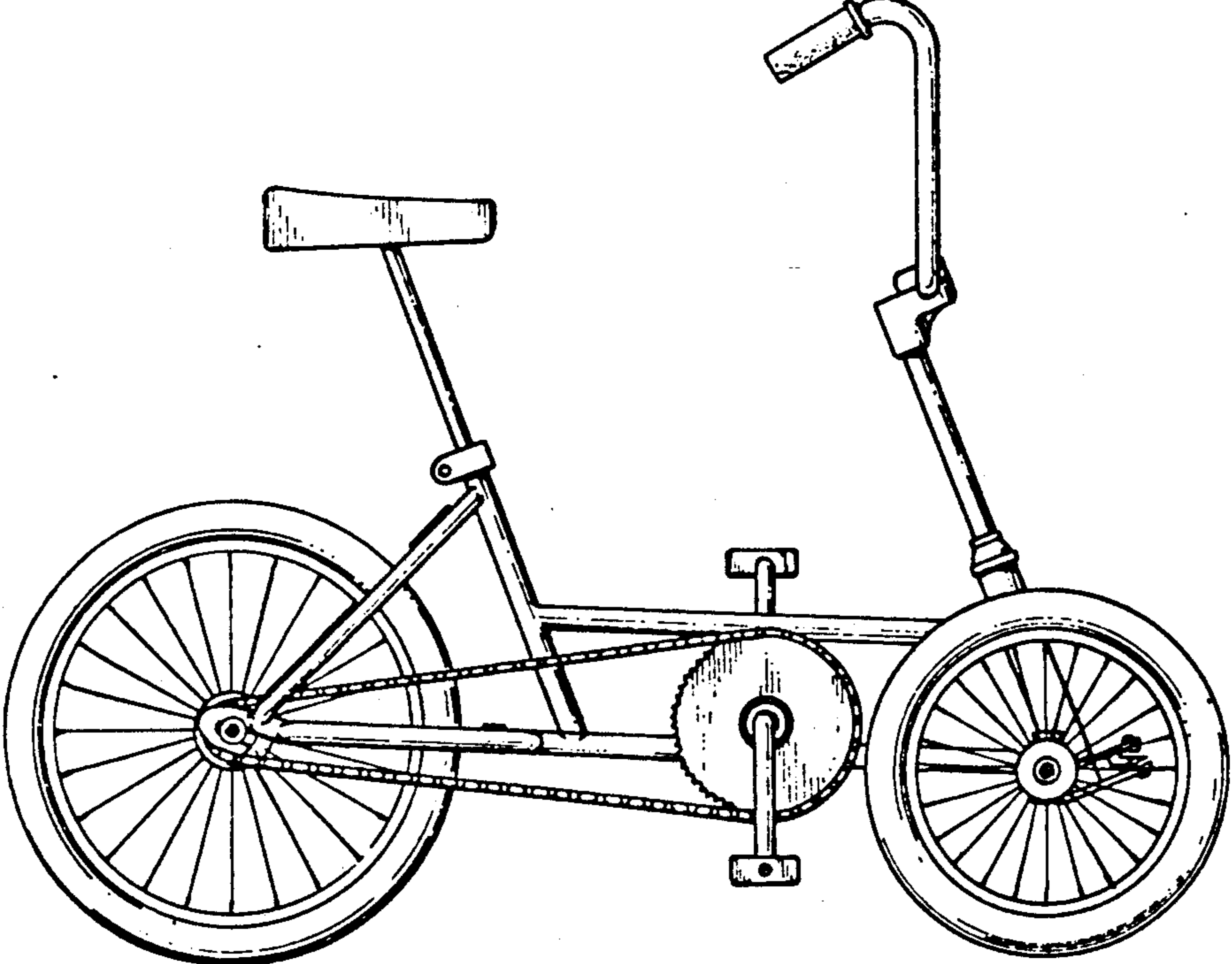


FIG. 1

FIG. 2



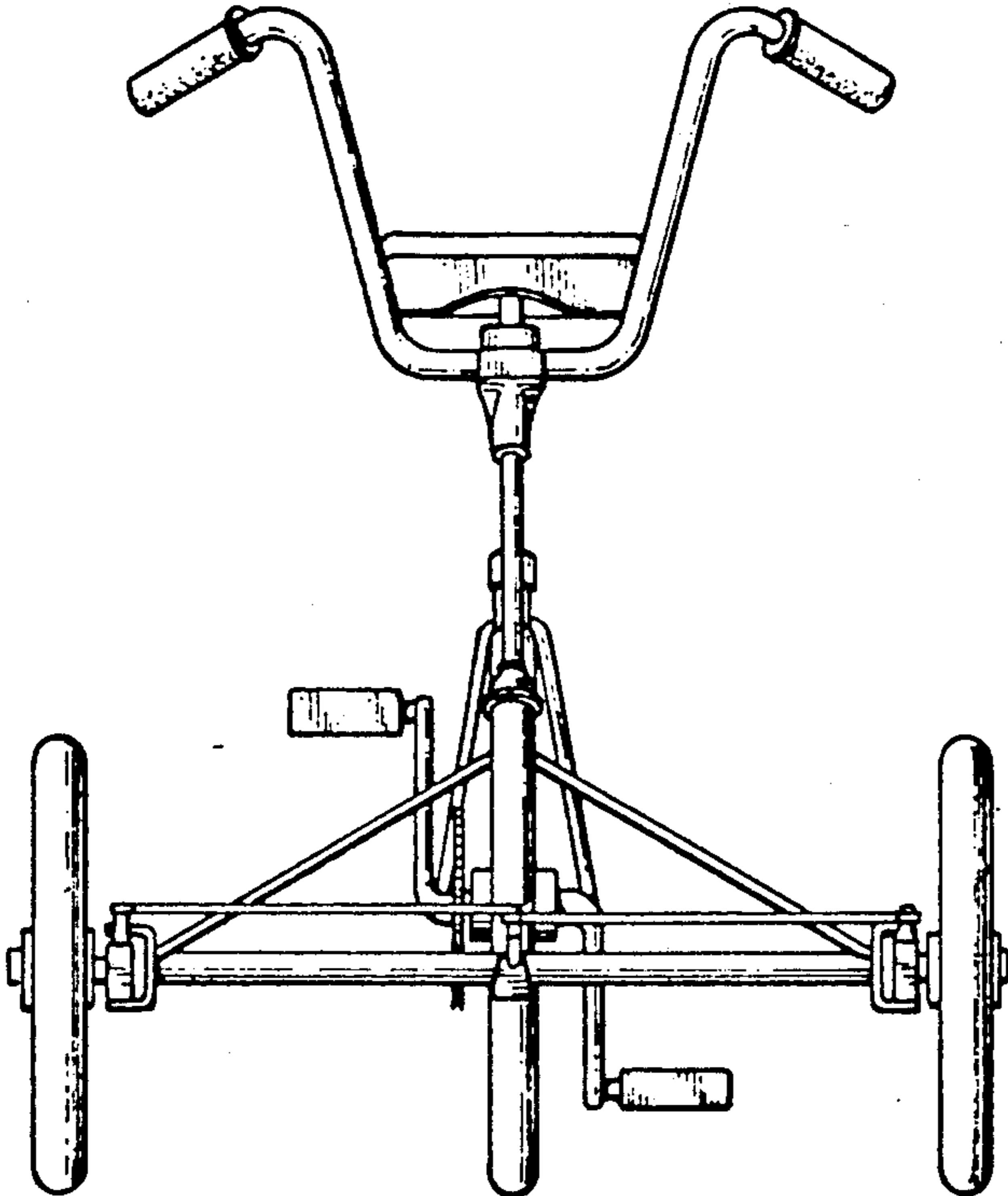


FIG. 3

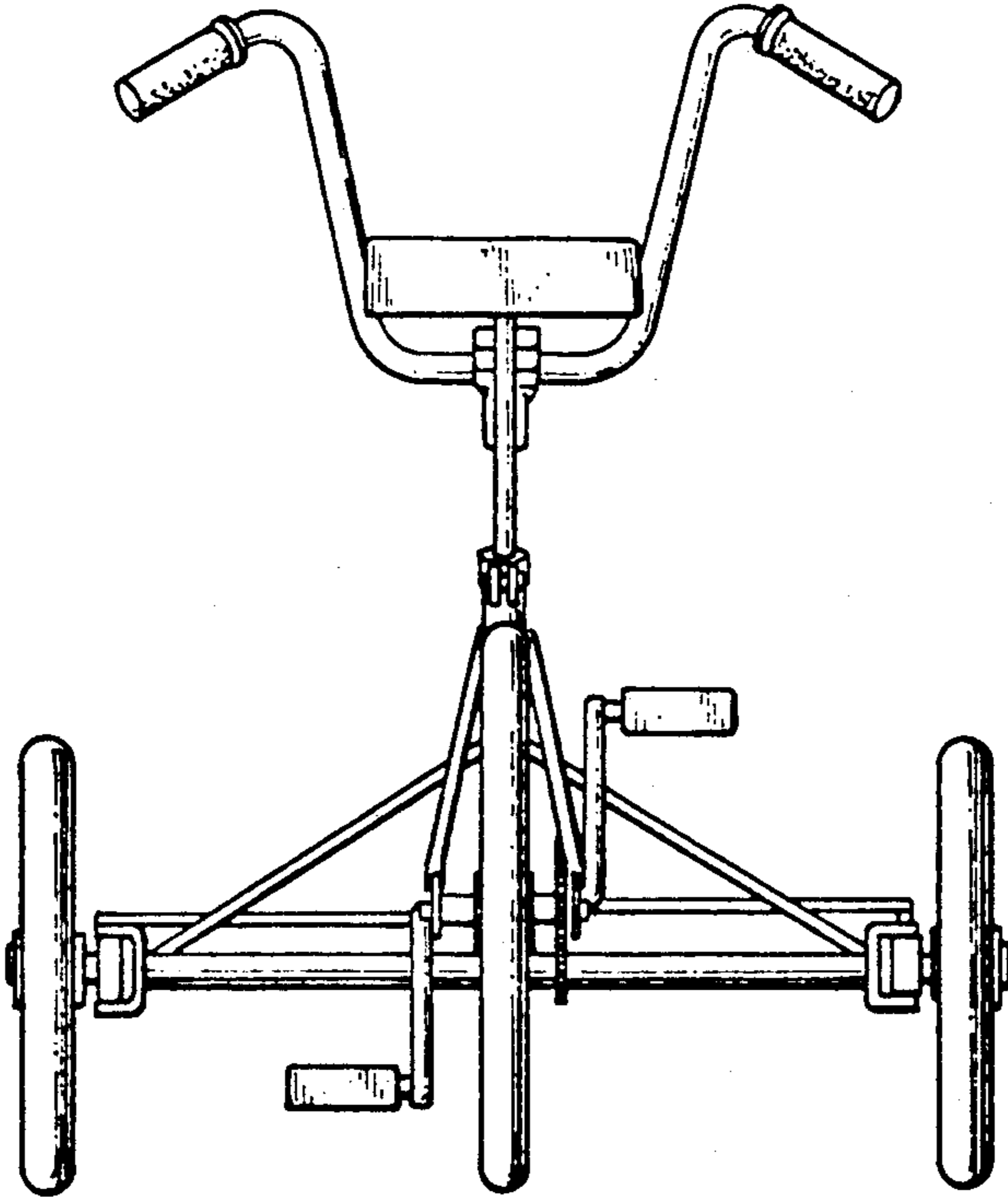


FIG. 4

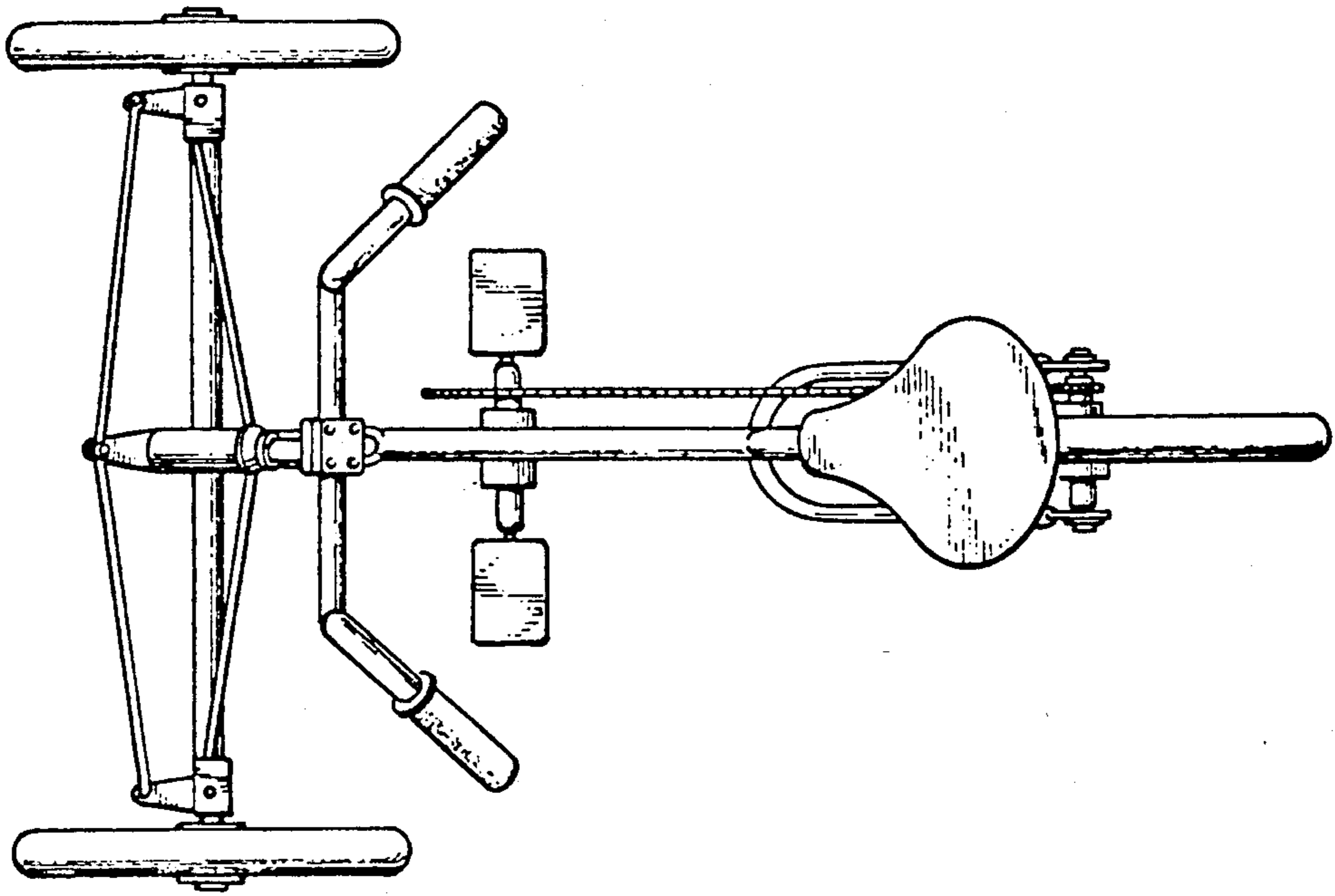


FIG. 5

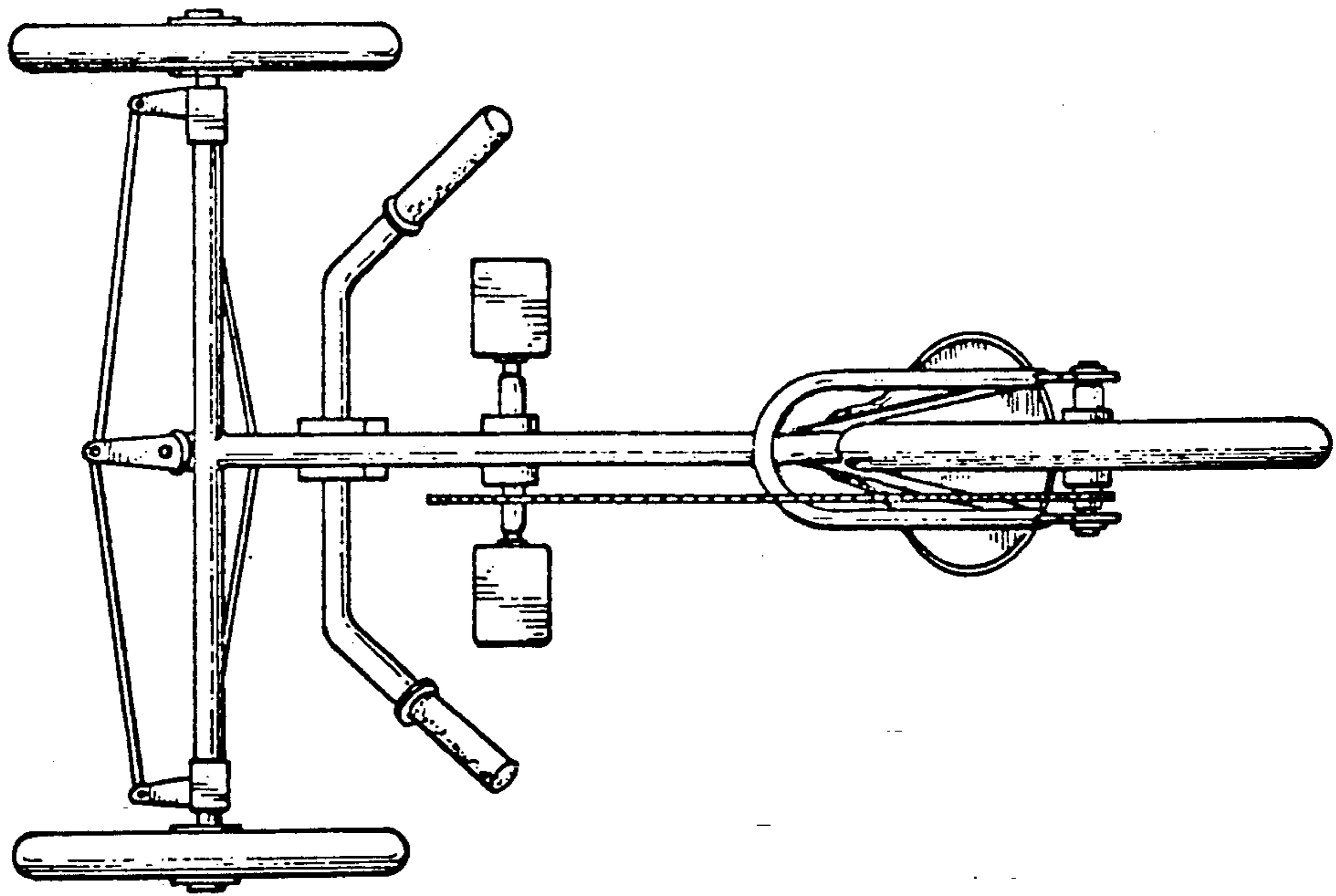


FIG. 6