



US00D328263S

United States Patent [19]

[11] Patent Number: **Des. 328,263**

Cowan

[45] Date of Patent: **** Jul. 28, 1992**

[54] **TOP SHELL FOR EXPANSION BRACELET LINK**

[75] Inventor: **Murray L. Cowan, Norwood, Mass.**

[73] Assignee: **Textron, Inc., Providence, R.I.**

[**] Term: **14 Years**

[21] Appl. No.: **513,189**

[22] Filed: **Apr. 23, 1990**

[52] U.S. Cl. **D11/93; D11/4; D11/19**

[58] Field of Search **D11/1-13, D11/19-25, 93-94, 15-18; 59/80-88, 90; 63/1.1-6; 224/171, 175, 178; D10/30-32**

[56] **References Cited**

U.S. PATENT DOCUMENTS

D. 190,048	4/1961	Cowan	D11/21
D. 190,670	6/1961	Goodman	D11/93
D. 196,193	9/1963	Cowan	D11/21
D. 200,337	2/1965	Augenstein	D11/22

D. 201,146	5/1965	Rodriquez	D11/22
D. 211,599	7/1968	Luft	D11/21
D. 220,525	4/1971	Cowan	D11/23
D. 221,018	6/1971	Williams	D11/21
D. 222,650	11/1971	Cowan	D11/23
D. 226,967	5/1973	Fontaine	D11/93
D. 228,012	7/1973	Fontaine	D11/93
2,790,302	4/1957	Minematsu	63/5.1

Primary Examiner—A. Hugo Word

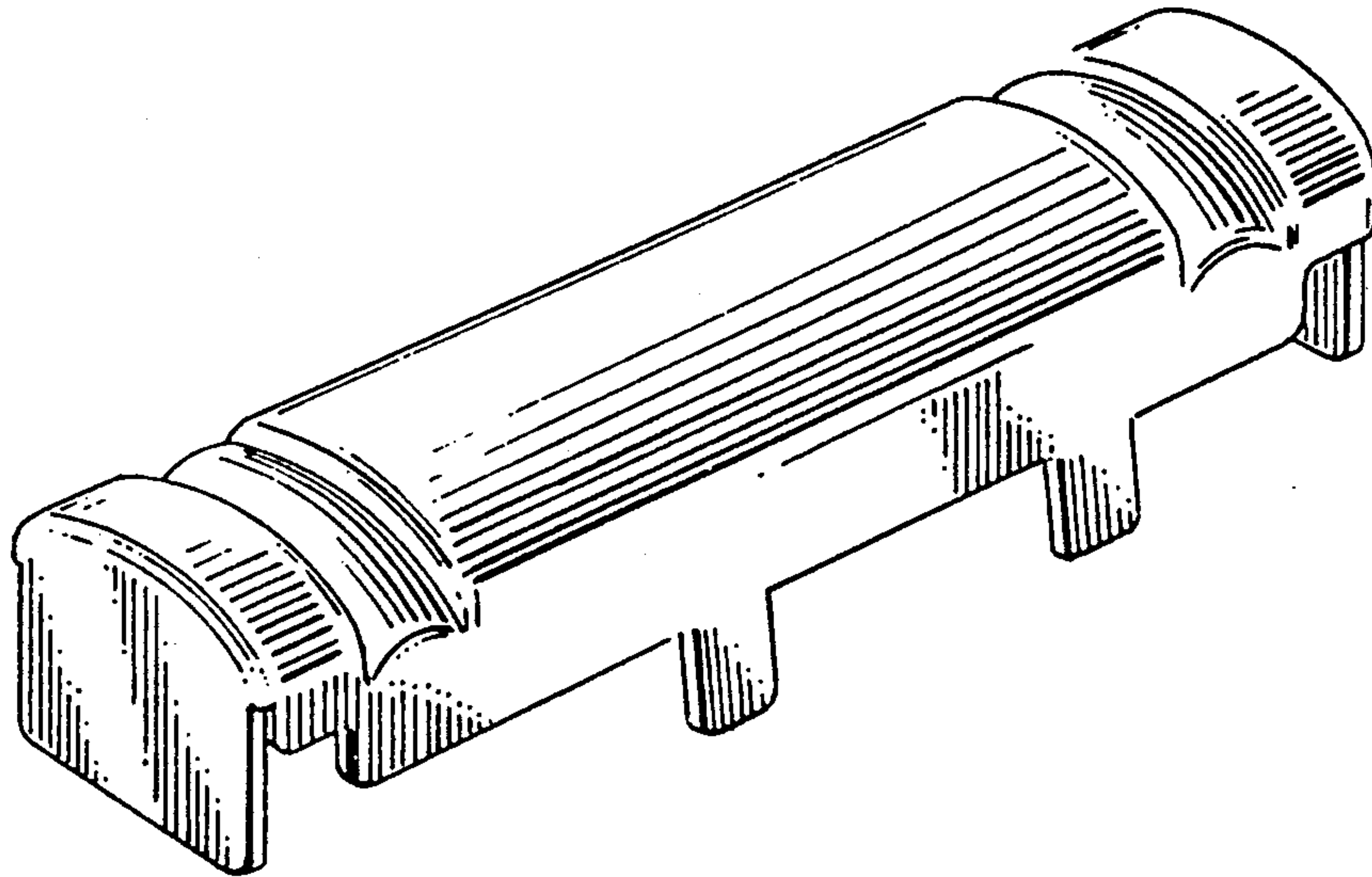
Assistant Examiner—R. Seifert

[57] CLAIM

The ornamental design for a top shell for expansion bracelet link, as shown and described.

DESCRIPTION

FIG. 1 is a perspective view of a top shell for expansion bracelet link showing my new design; FIG. 2 is a top plan view thereof; FIG. 3 is a side elevational view thereof; FIG. 4 is an end elevational view thereof; and, FIG. 5 is a bottom plan view thereof.



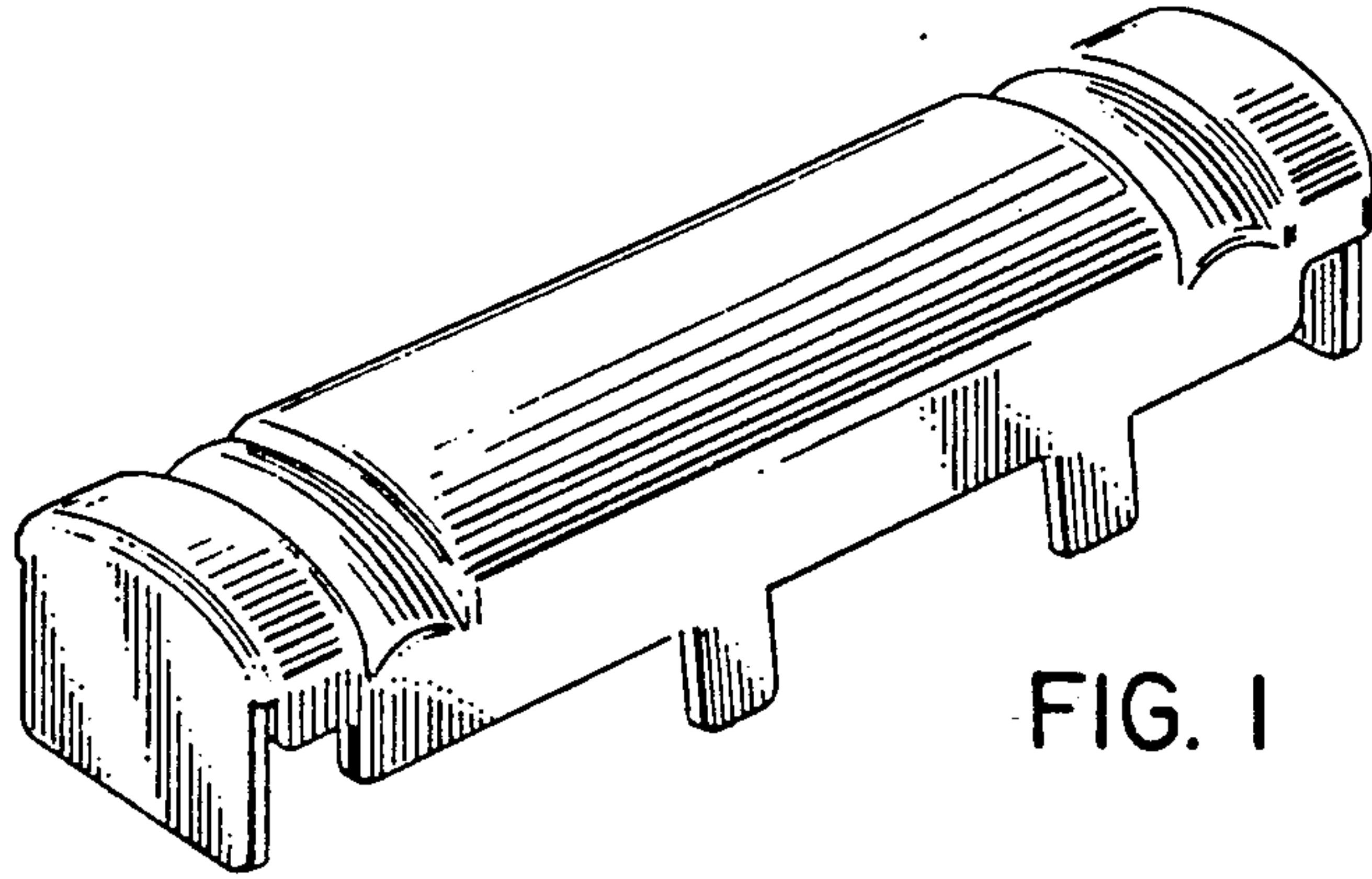


FIG. 1

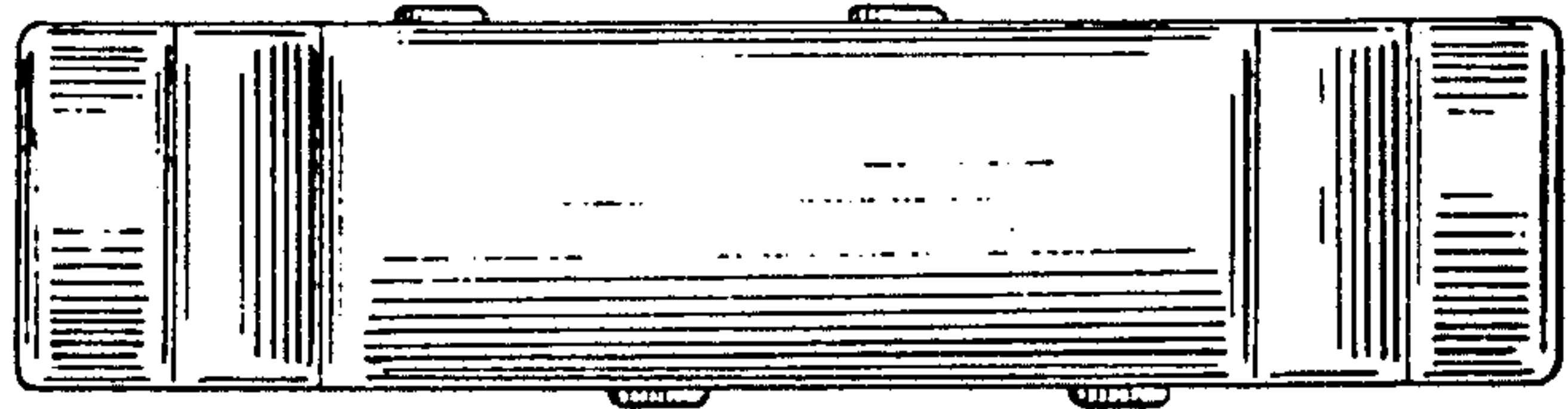


FIG. 2

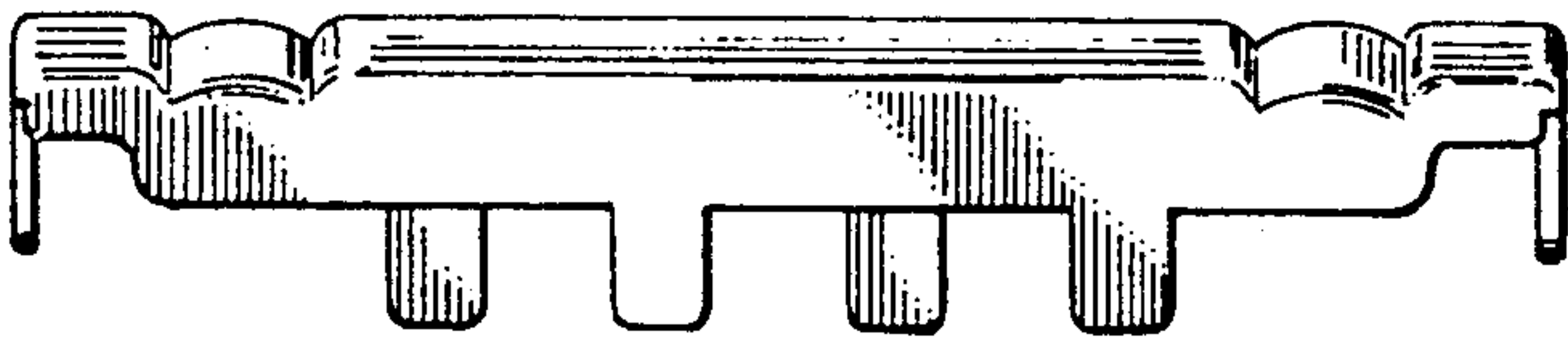


FIG. 3

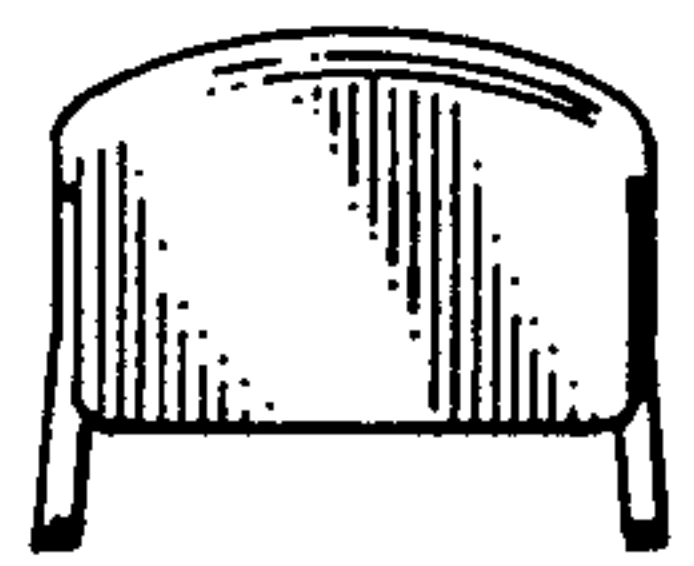


FIG. 4

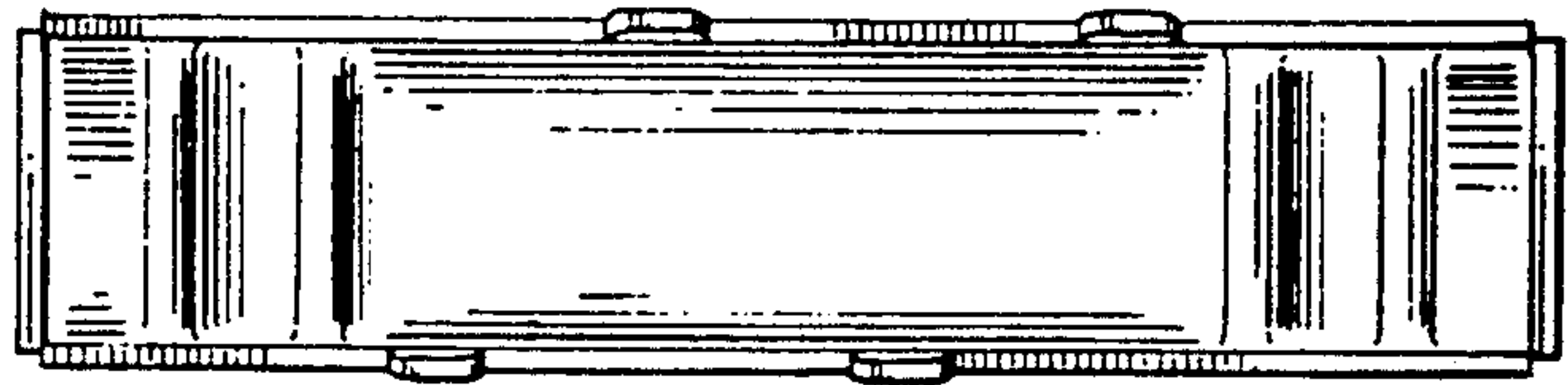


FIG. 5