



US00D328261S

United States Patent [19]

[11] Patent Number: **Des. 328,261**

Weeks

[45] Date of Patent: **** Jul. 28, 1992**

[54] SAFETY WAND FOR BICYCLES OR THE LIKE

2,211,182 8/1940 Tibbetts 116/28 A
2,452,161 10/1948 Squires D10/117

[76] Inventor: Gary T. Weeks, 26549 Lanse Creuse St., Mt. Clemens, Mich. 48045

Primary Examiner—Wallace R. Burke
Assistant Examiner—Marcus Jackson
Attorney, Agent, or Firm—Leon Gilden

[**] Term: 14 Years

[21] Appl. No.: 539,519

[57] CLAIM

[22] Filed: Jun. 15, 1990

The ornamental design for a safety wand for bicycles or the like, as shown and described.

[52] U.S. Cl. D10/110

[58] Field of Search D10/109, 110, 117, 121;
116/28 A, 28 R, 29

DESCRIPTION

[56] References Cited

U.S. PATENT DOCUMENTS

D. 233,510	11/1974	Baker	D10/109
D. 234,191	1/1975	Might et al.	D10/109
D. 239,926	5/1976	Baker	D10/109
D. 244,917	7/1977	Lewis	D10/109
2,035,880	3/1936	Goodall	116/28 A
2,143,997	1/1939	Parkinson	D10/117
2,183,438	12/1939	Zaiger	D10/117

FIG. 1 is an exploded front elevational view of a safety wand for bicycles or the like showing my new design, with the holding elements shown separated for clarity of illustration only;

FIG. 2 is an exploded rear elevational view thereof; FIG. 3 is an enlarged exploded left side elevational view thereof;

FIG. 4 is an enlarged exploded right side elevational view thereof;

FIG. 5 is an exploded top plan view thereof; and, FIG. 6 is an exploded bottom plan view thereof.

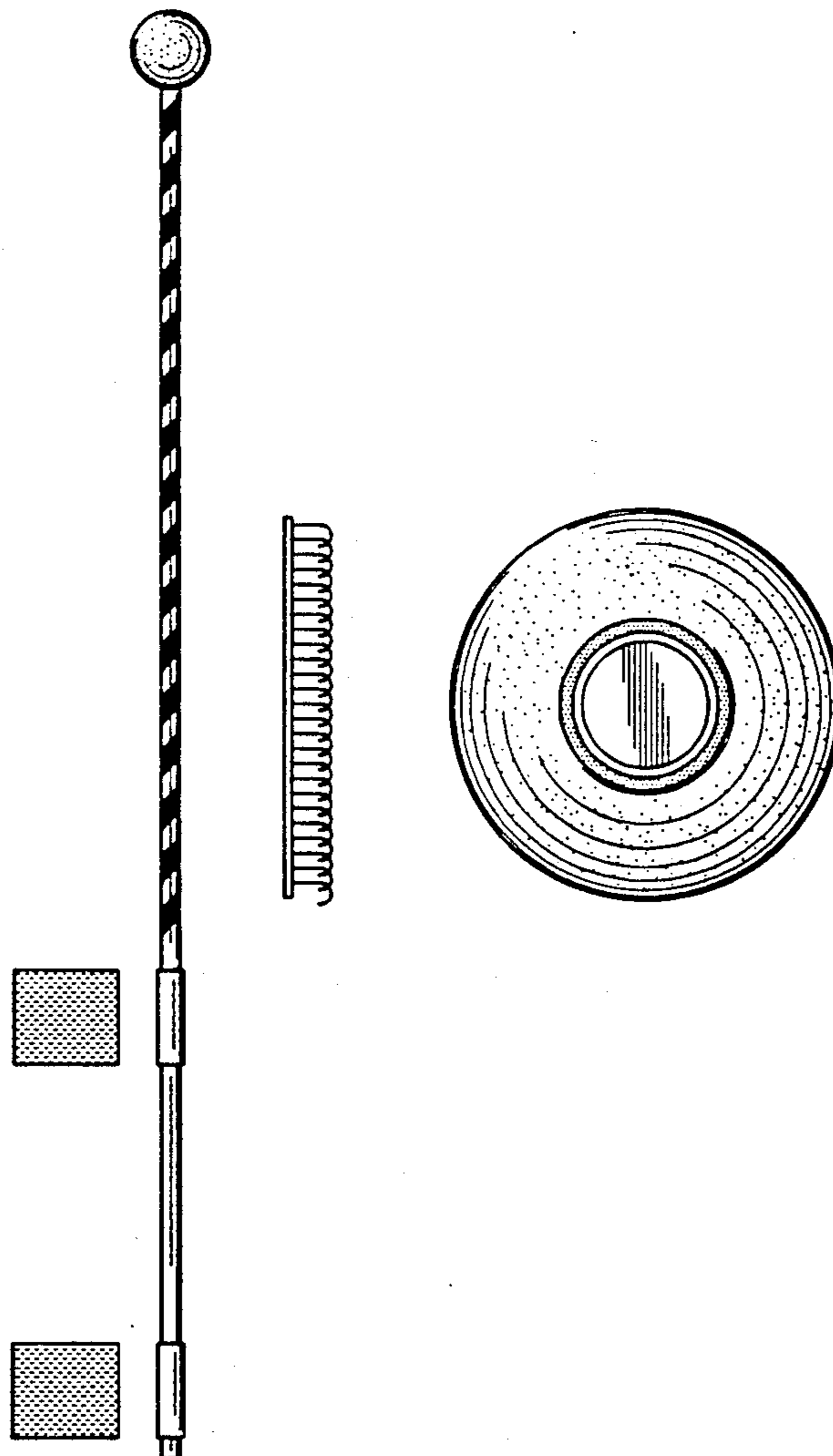


FIG. 1

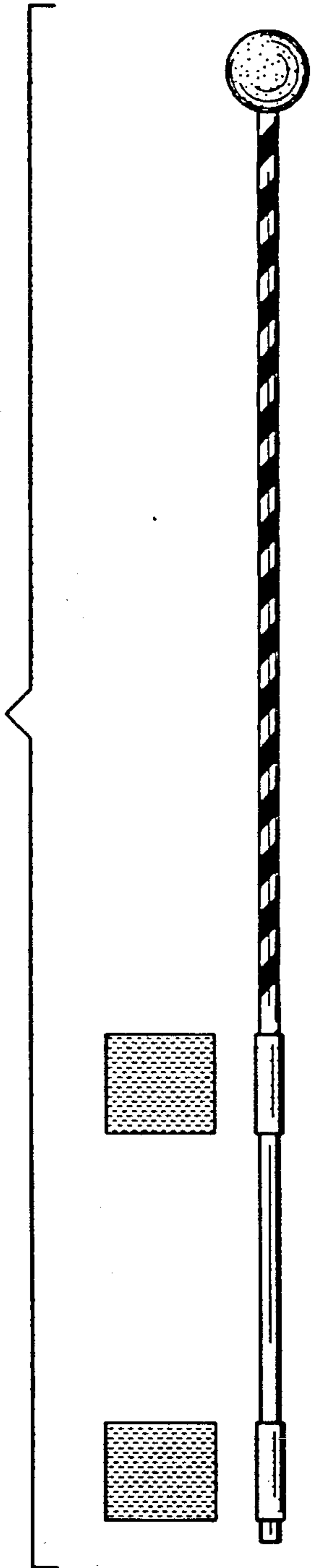


FIG. 2

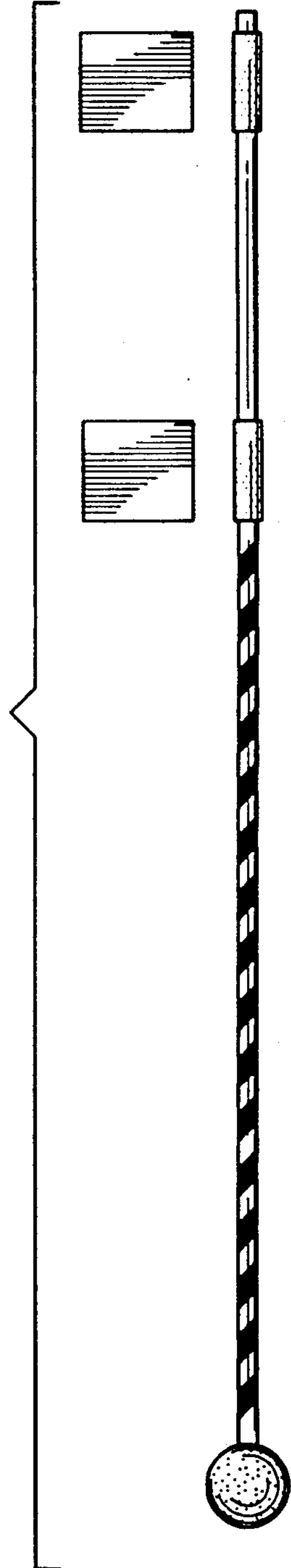


FIG. 3

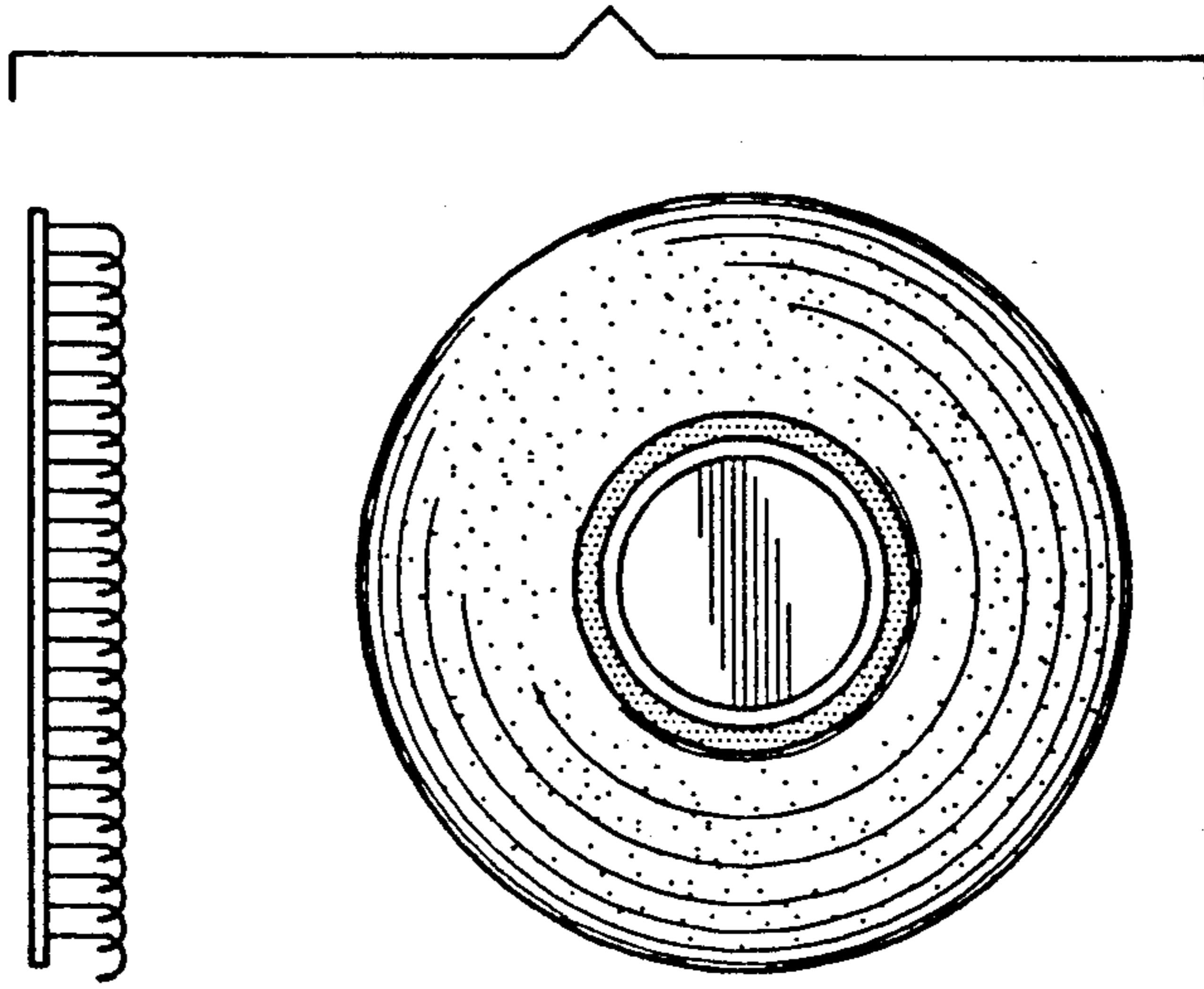


FIG. 4

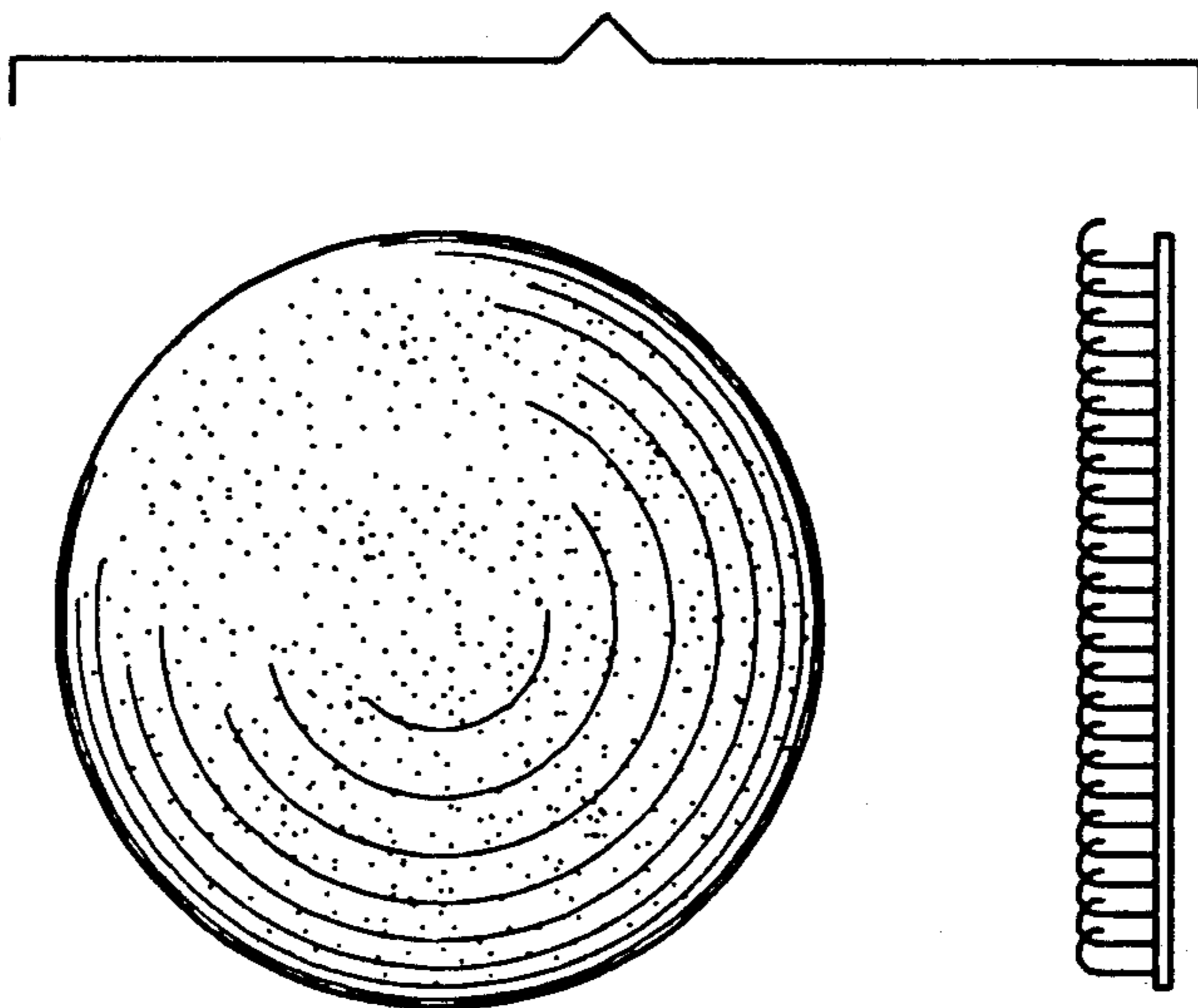


FIG. 5

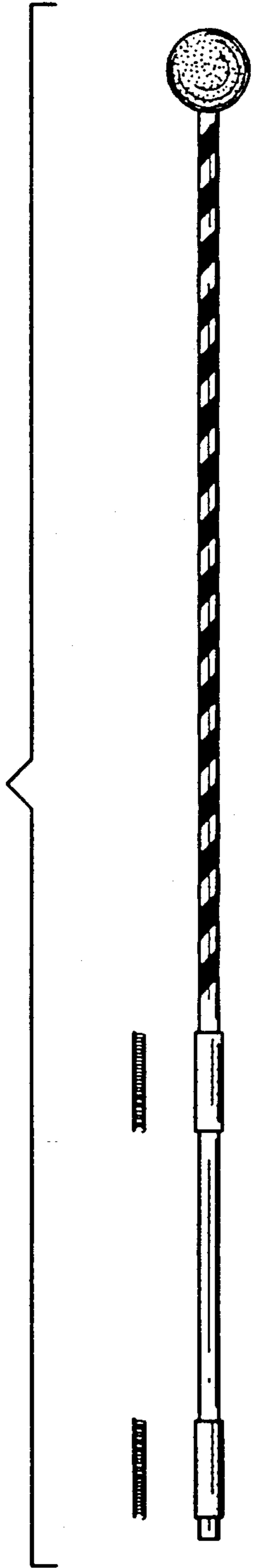


FIG. 6

