



US00D328258S

United States Patent [19]

[11] Patent Number: **Des. 328,258**

Millard et al.

[45] Date of Patent: **** Jul. 28, 1992**

[54] GOLF YARDAGE ODOMETER

3,784,913 1/1974 Maass 235/95 R X

[76] Inventors: Benjamin V. Millard; Steve V. Millard, both of 2432 Hillock Ct., Lansdale, Pa. 19446

Primary Examiner—Donald P. Walsh
Assistant Examiner—Antoine D Davis
Attorney, Agent, or Firm—Leon Gilden

[**] Term: 14 Years

[57] CLAIM

[21] Appl. No.: 426,690

The ornamental design for a golf yardage odometer, as shown and described.

[22] Filed: Oct. 26, 1989

[52] U.S. Cl. D10/98

[58] Field of Search D10/98; 235/95 R, 120, 235/121

DESCRIPTION

[56] References Cited

U.S. PATENT DOCUMENTS

D. 213,523 3/1969 Shea D10/98
3,251,132 5/1966 Hall 235/95 R
3,673,693 7/1972 Evans, Jr. 235/95 R X

FIG. 1 is a front elevational view of an golf yardage odometer showing our design;
FIG. 2 is a rear elevational view;
FIG. 3 is a right side elevational view;
FIG. 4 is a left side elevational view;
FIG. 5 is a bottom plan view;
FIG. 6 is a top plan view; and,
FIG. 7 is a perspective view thereof.

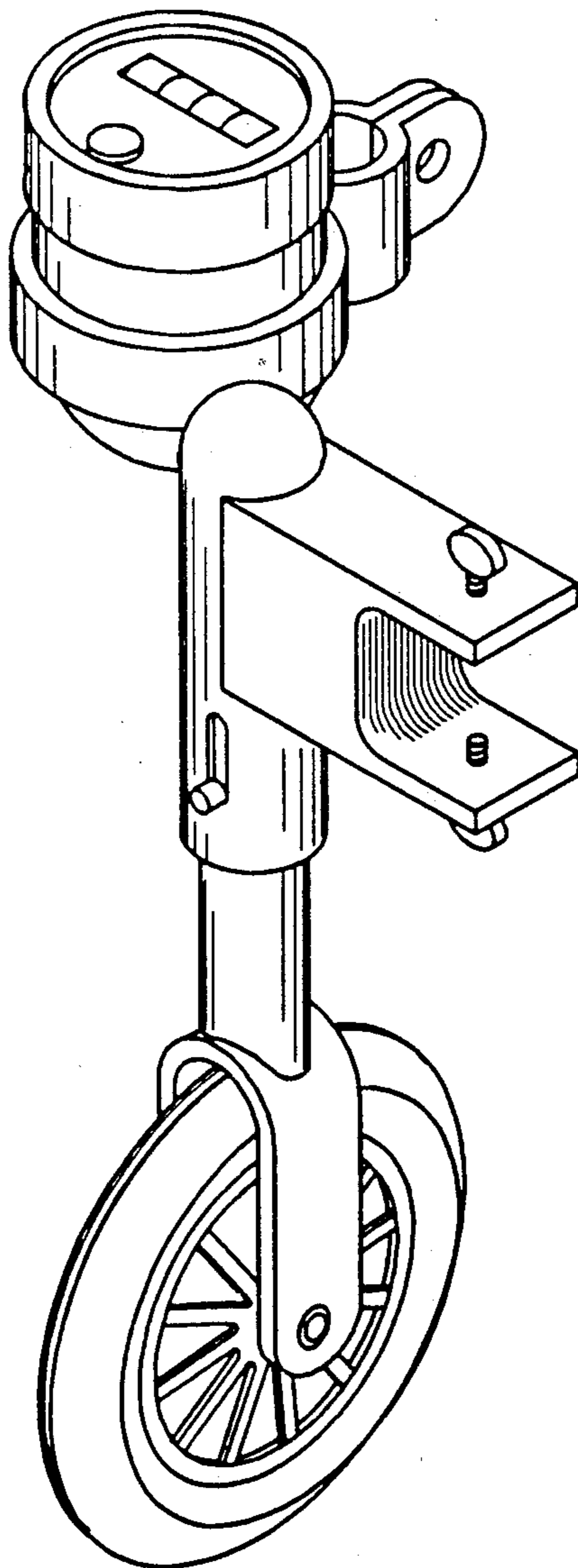


FIG. 1

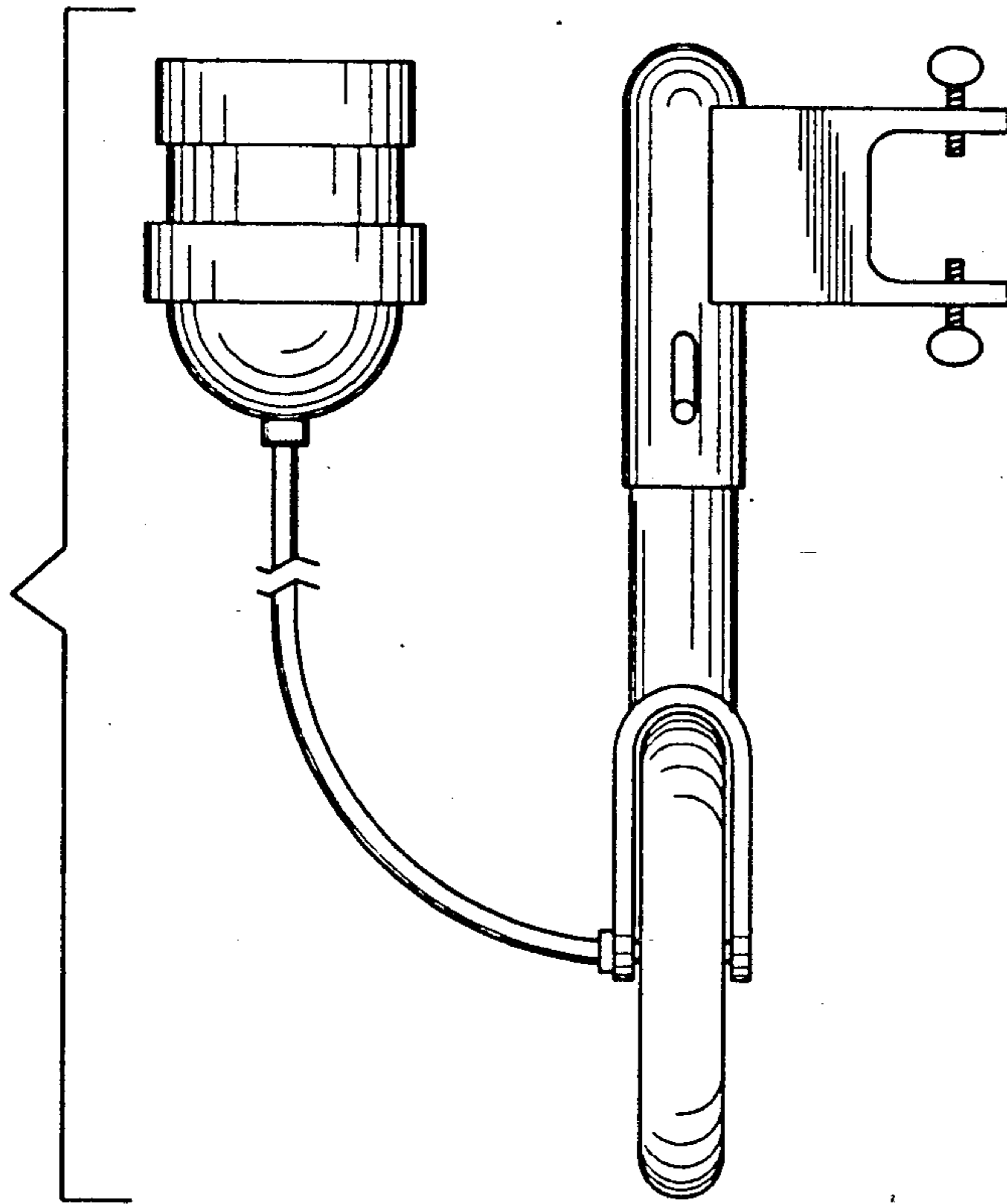


FIG. 2

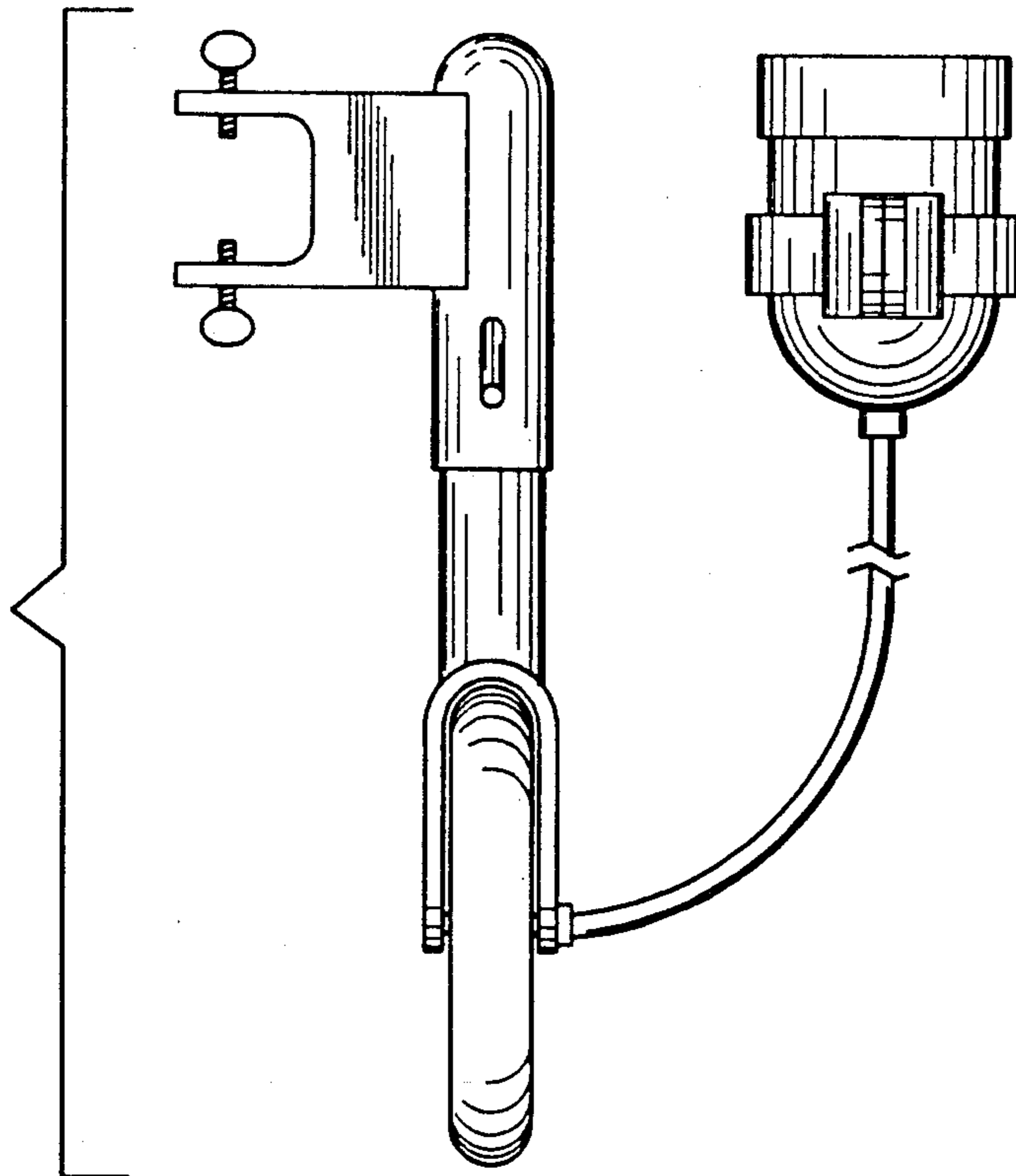


FIG. 3

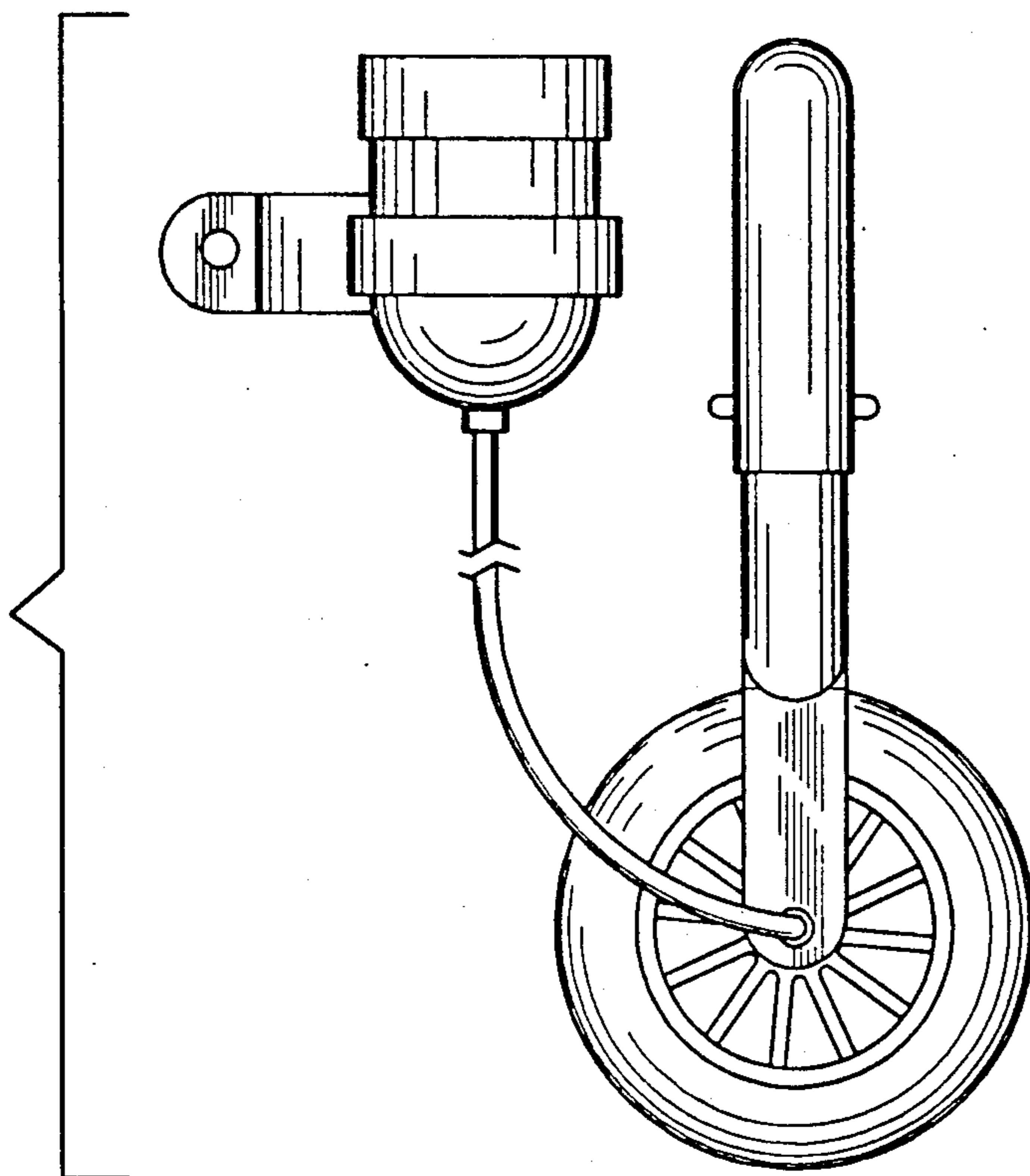


FIG. 4

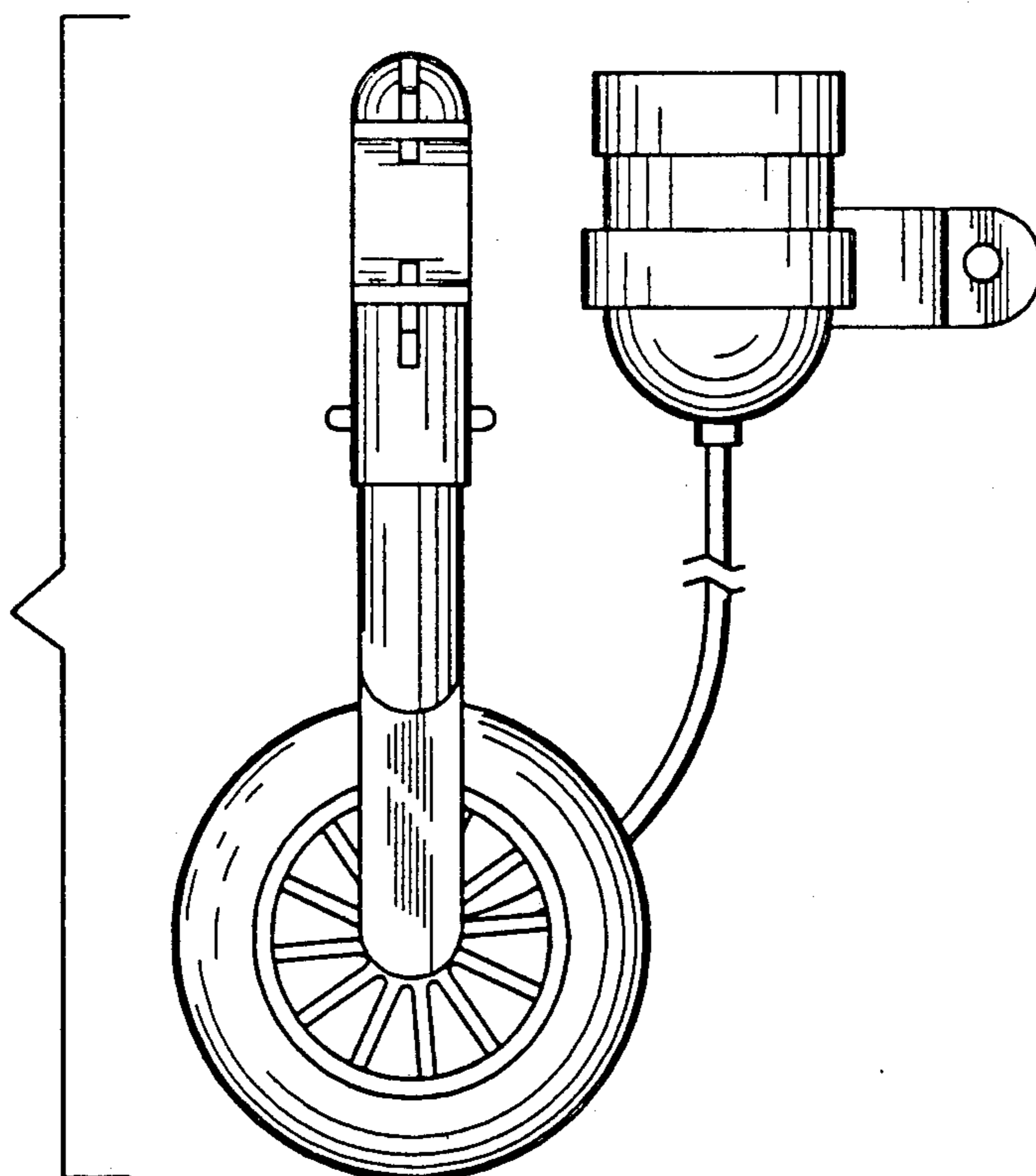


FIG. 5

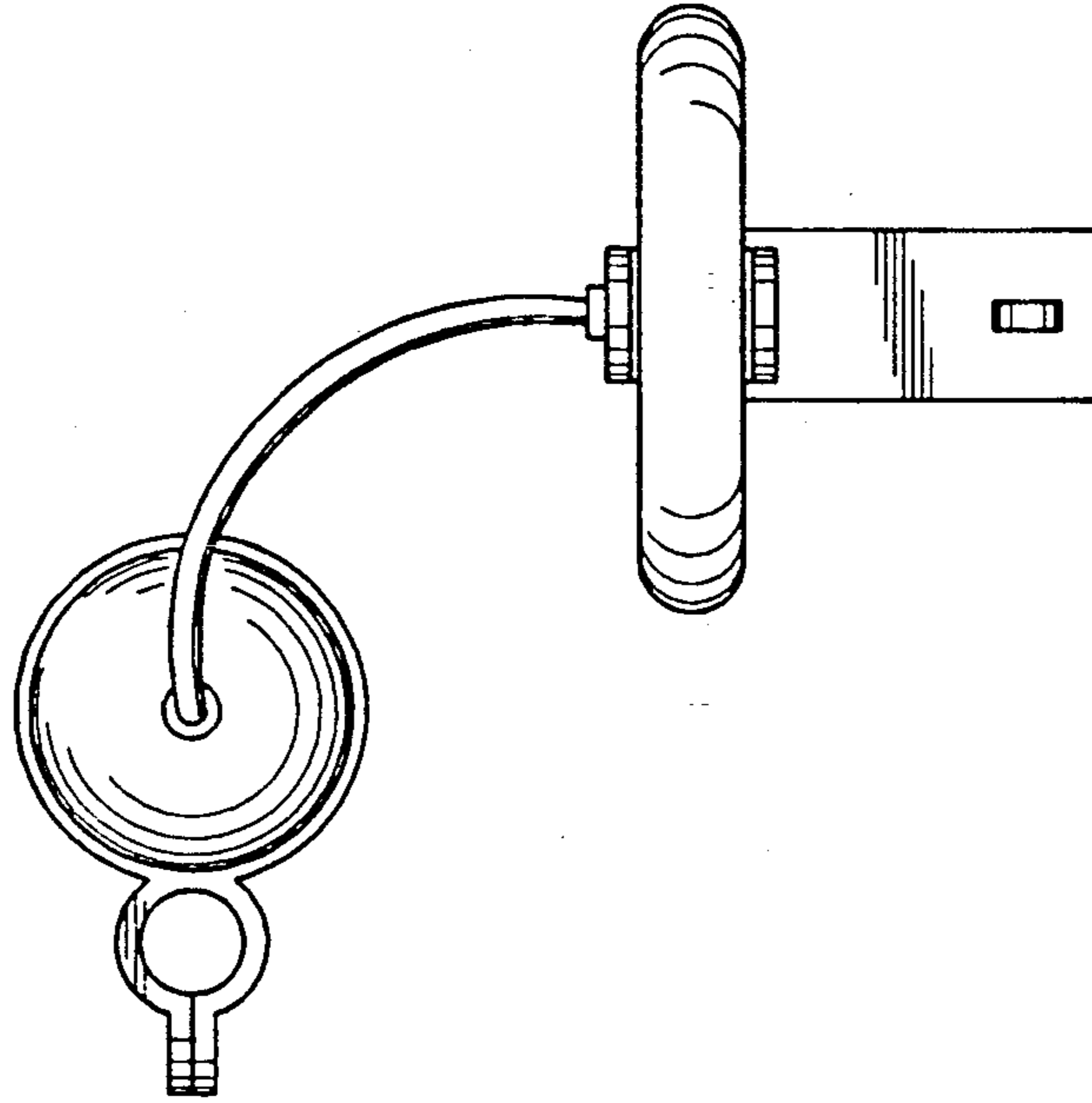


FIG. 6

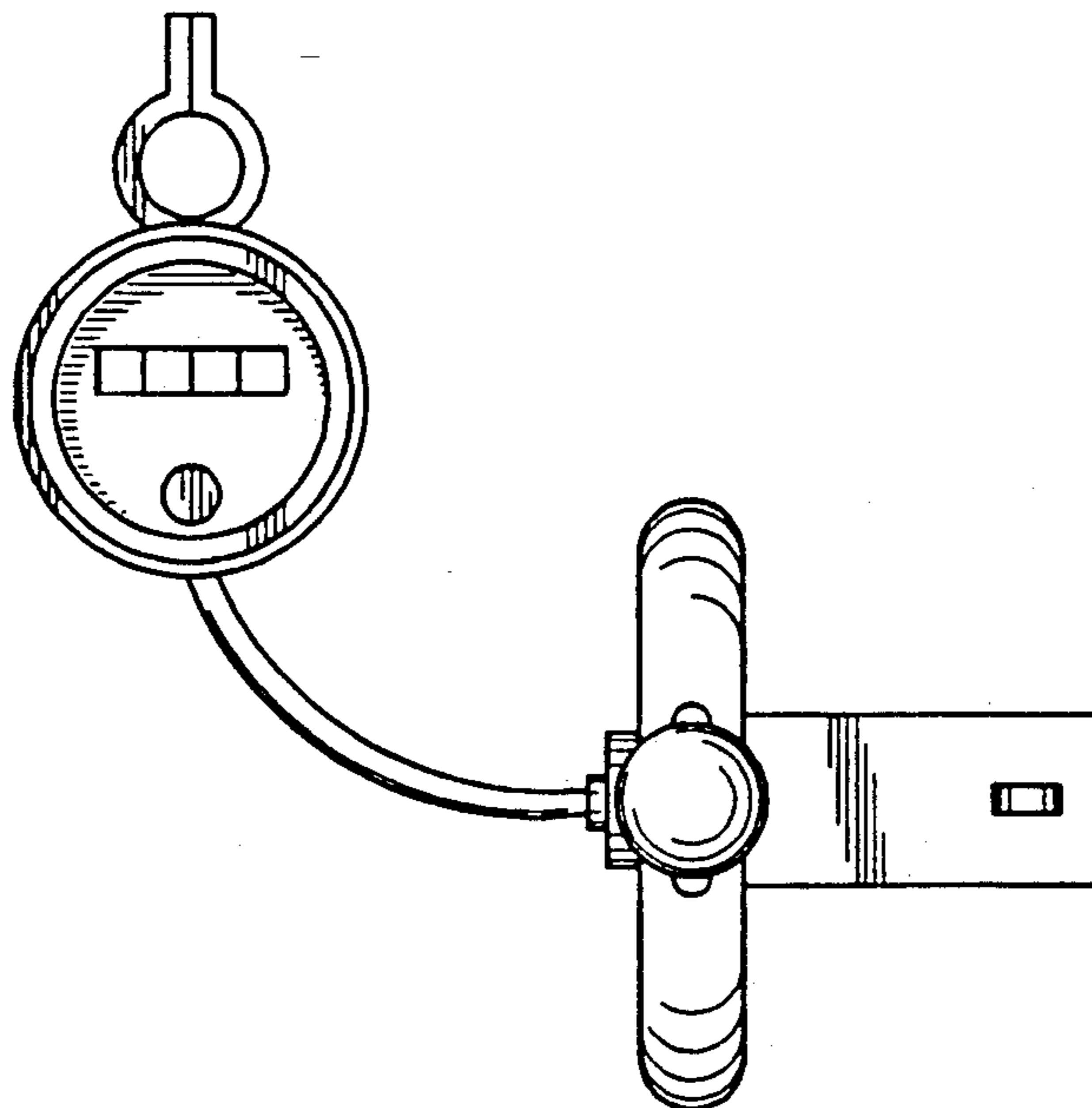


FIG. 7

