



US00D328257S

United States Patent [19]

[11] Patent Number: Des. 328,257

Ormand et al.

[45] Date of Patent: ** Jul. 28, 1992

[54] ELECTROMAGNETIC RADIATED SIGNAL TRANSMITTER

[75] Inventors: Tommy K. Ormand, Perry, Okla.; Mitchell H. Babkes; Benjamin C. Baugh, both of Wichita, Kans.; John W. Bieberdorf, Stillwater, Okla.

[73] Assignee: The Charles Machine Works, Inc., Perry, Okla.

[**] Term: 14 Years

[21] Appl. No.: 513,186

[22] Filed: Apr. 23, 1990

[52] U.S. Cl. D10/75; D10/46; D10/78

[58] Field of Search D10/56, 75, 78; 324/67, 324/207, 326, 327, 328, 329

[56] References Cited

U.S. PATENT DOCUMENTS

D. 162,750	4/1951	Polye et al.	D10/78 X
D. 175,284	8/1955	Wagenseller	D10/78 X
D. 175,591	9/1955	Darr	D10/78 X
D. 193,931	10/1962	Bagshaw	D10/46
D. 223,293	4/1972	Banks	D10/75 X
D. 232,660	9/1974	McKenney	D10/46 X
D. 273,039	3/1984	Behrens	D10/46 X
3,906,504	9/1975	Guster et al. .	
4,044,299	8/1977	Weber .	
4,303,879	12/1981	Podhrasky .	
4,348,639	9/1982	Karbowski .	
4,387,340	6/1983	Peterman .	
4,452,075	6/1984	Bockhorst et al. .	
4,806,869	2/1989	Chau et al. .	
4,837,489	6/1989	McFee .	

FOREIGN PATENT DOCUMENTS

63-26526 4/1988 Japan .

OTHER PUBLICATIONS

"3D-301A Pipe-Cable Locator/Tracer" brochure.

"Dynatel 4420 Power Cable/Fault Locator Operator's Manual".

"TELTRAK 2001", Metrotech brochure.

"Dynatel Locator—573DX and 573D Sheath Fruit/Cable Locators—500D Cable Locator".

SLIMDRIL brochure.

"Locator Cuts Time to Find Underground Cable Faults", a 3M Technical Article.

"Dynatel 500A Cable Locator" brochure.

"Dynatel 500A/P Cable Locator and Dynatel 573A/P Earth Return Fault and Cable Locator Operator's Manual".

"Metrotech Model 810 Fully Automatic Utility Line Tracer" brochure.

"The Lynch PL55 Pipeline and Cable Locator" brochure.

"The Lynch PL-801GXII Pipeline and Cable Locator" brochure.

"Micro-Computerized Pipe Locator MPL-H5-E" brochure.

"Dynatel Cable and Earth Fault Locators for Electrical Power Applications" brochure.

"RD800: Guided Boring Tool Monitor".

Primary Examiner—Donald P. Walsh

Assistant Examiner—Antoine D. Davis

Attorney, Agent, or Firm—Banner, Birch, McKie & Beckett

[57] CLAIM

The oramental design for a electromagnetic radiated signal transmitter, as shown and described.

DESCRIPTION

FIG. 1 is a top, front and left side perspective view of an electromagnetic radiated signal transmitter showing our new design;

FIG. 2 is a left side elevational view;

FIG. 3 is a right side elevational view;

FIG. 4 is a front elevational view;

FIG. 5 is a rear elevational view;

FIG. 6 is a top plan view; and,

FIG. 7 is a bottom plan view thereof.

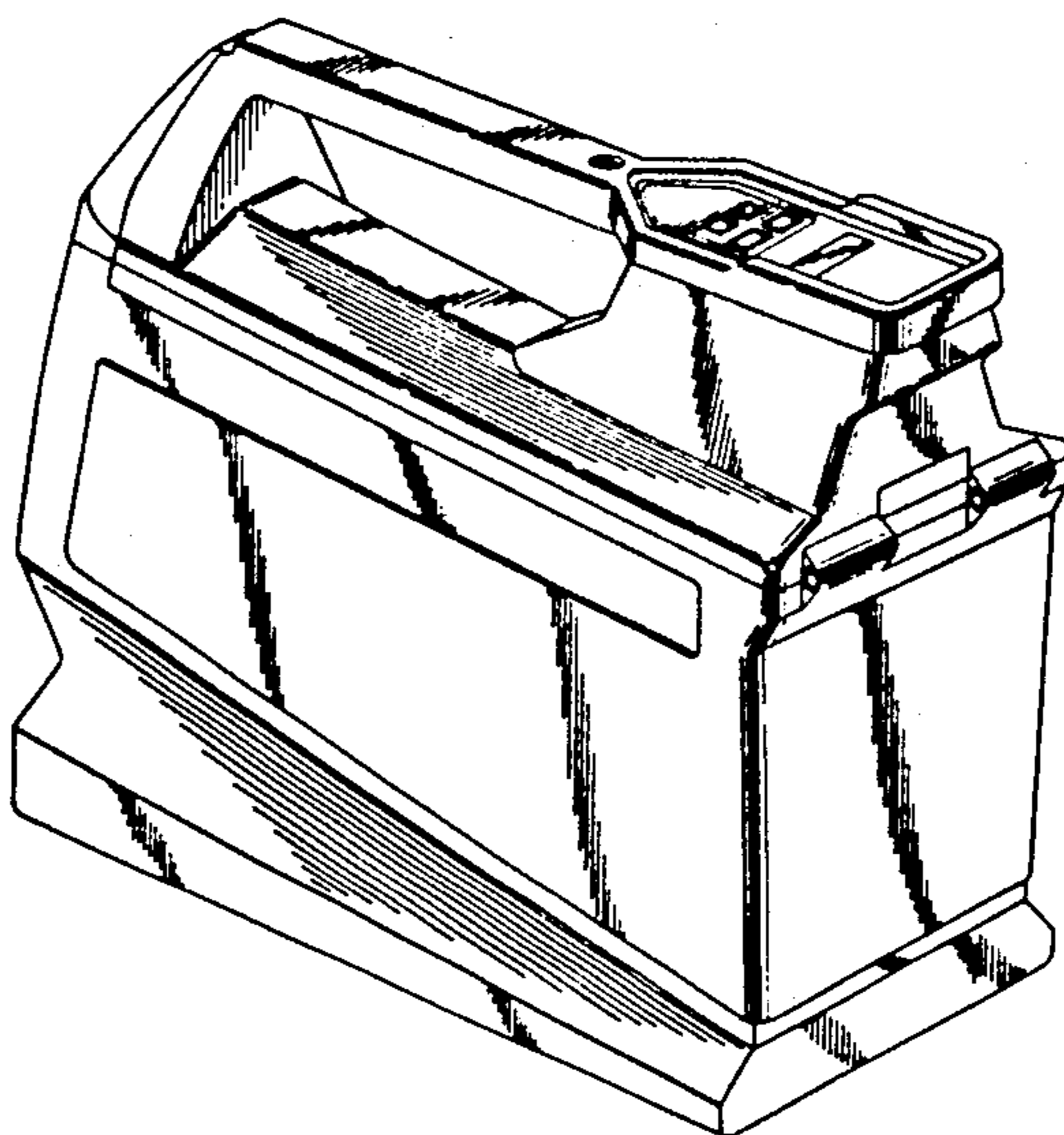


FIG. 1

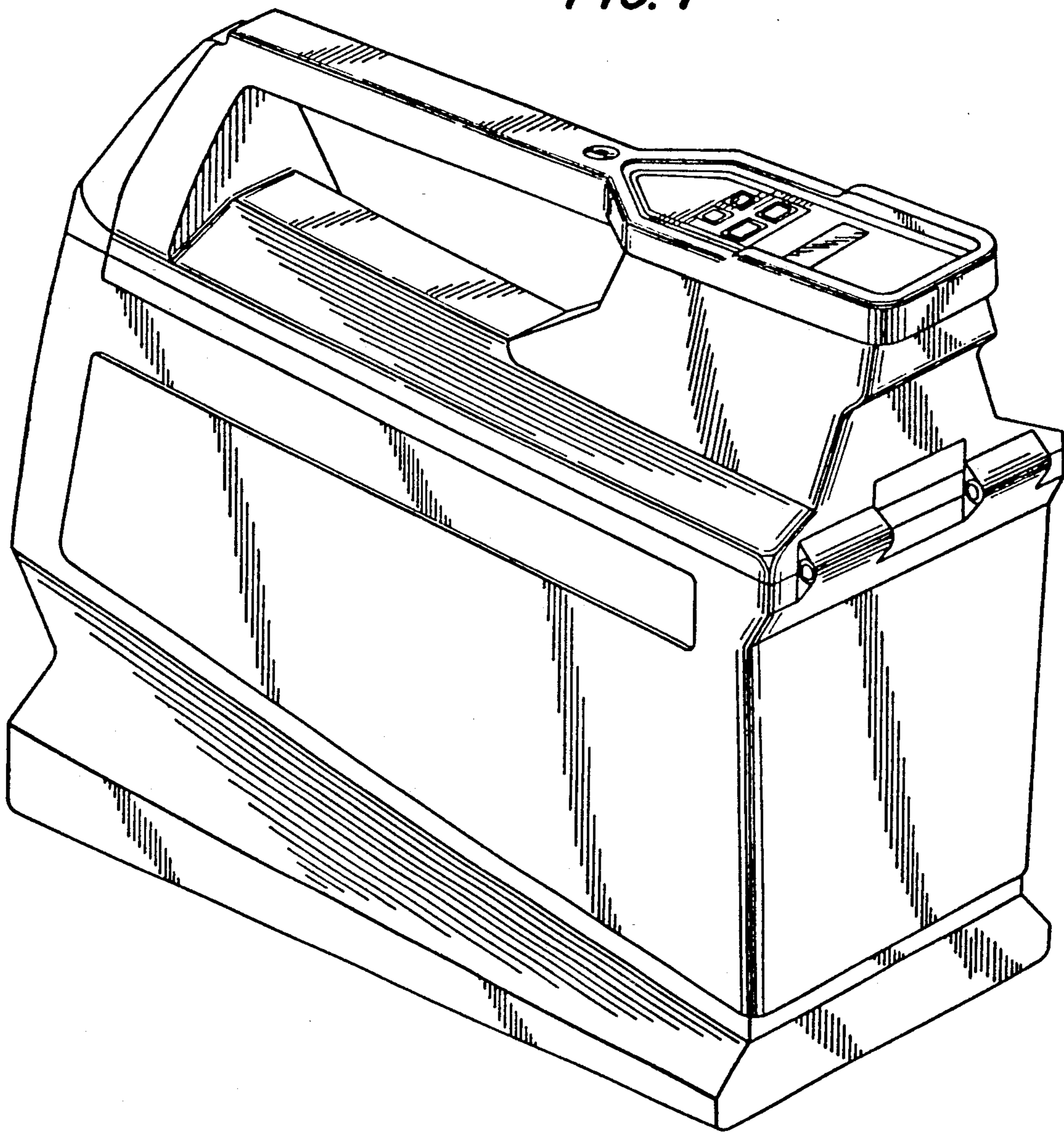


FIG. 2

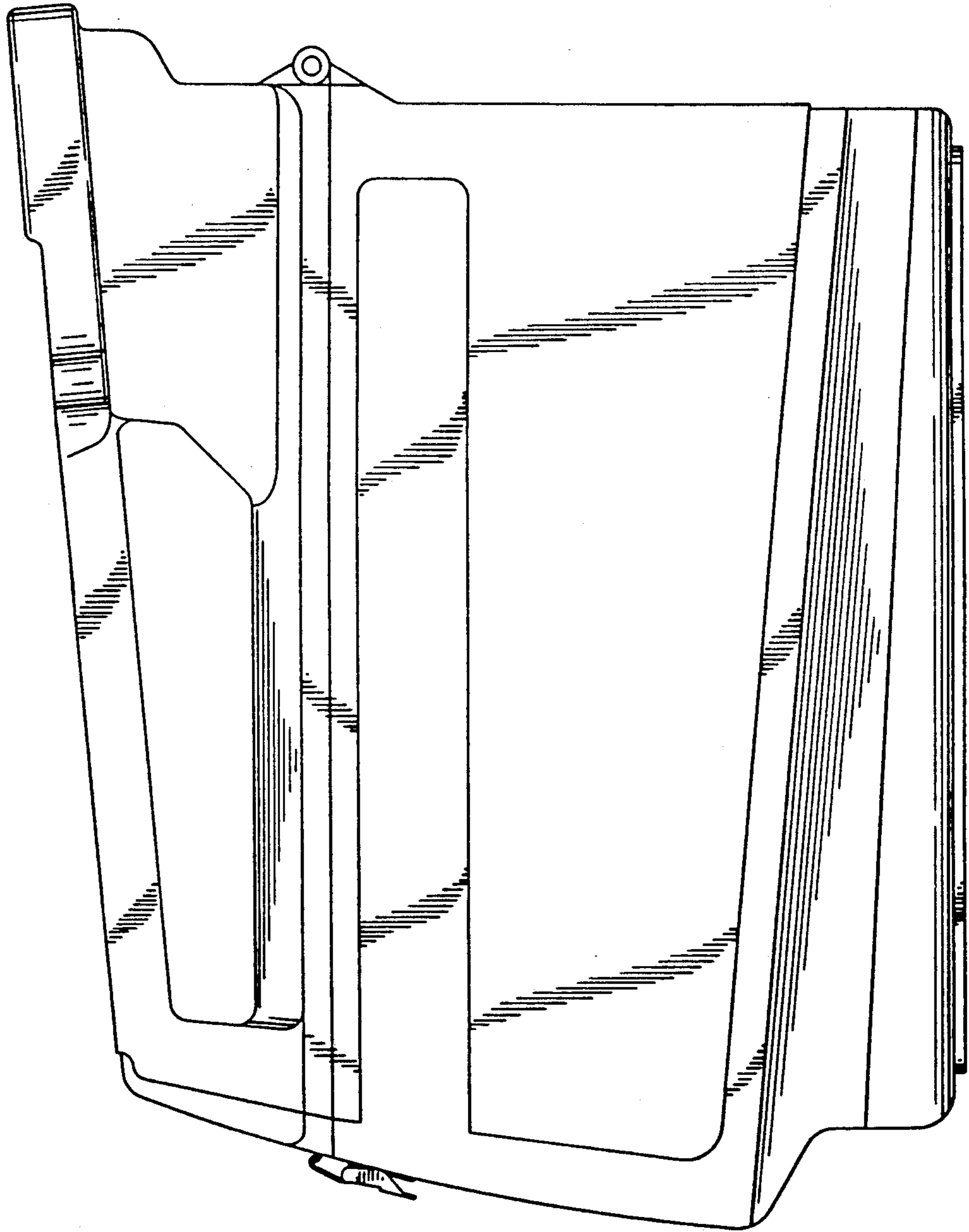


FIG. 3

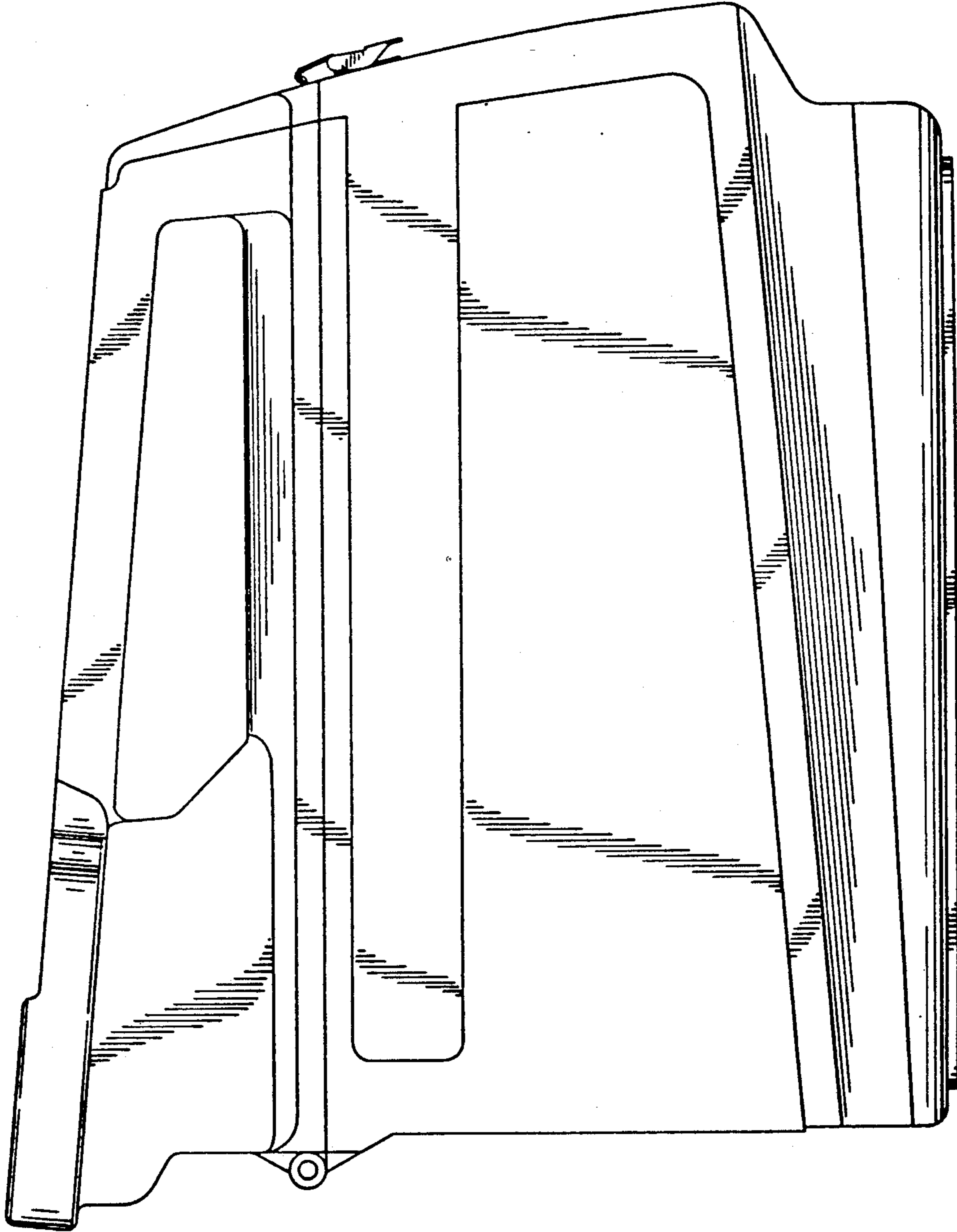


FIG. 5

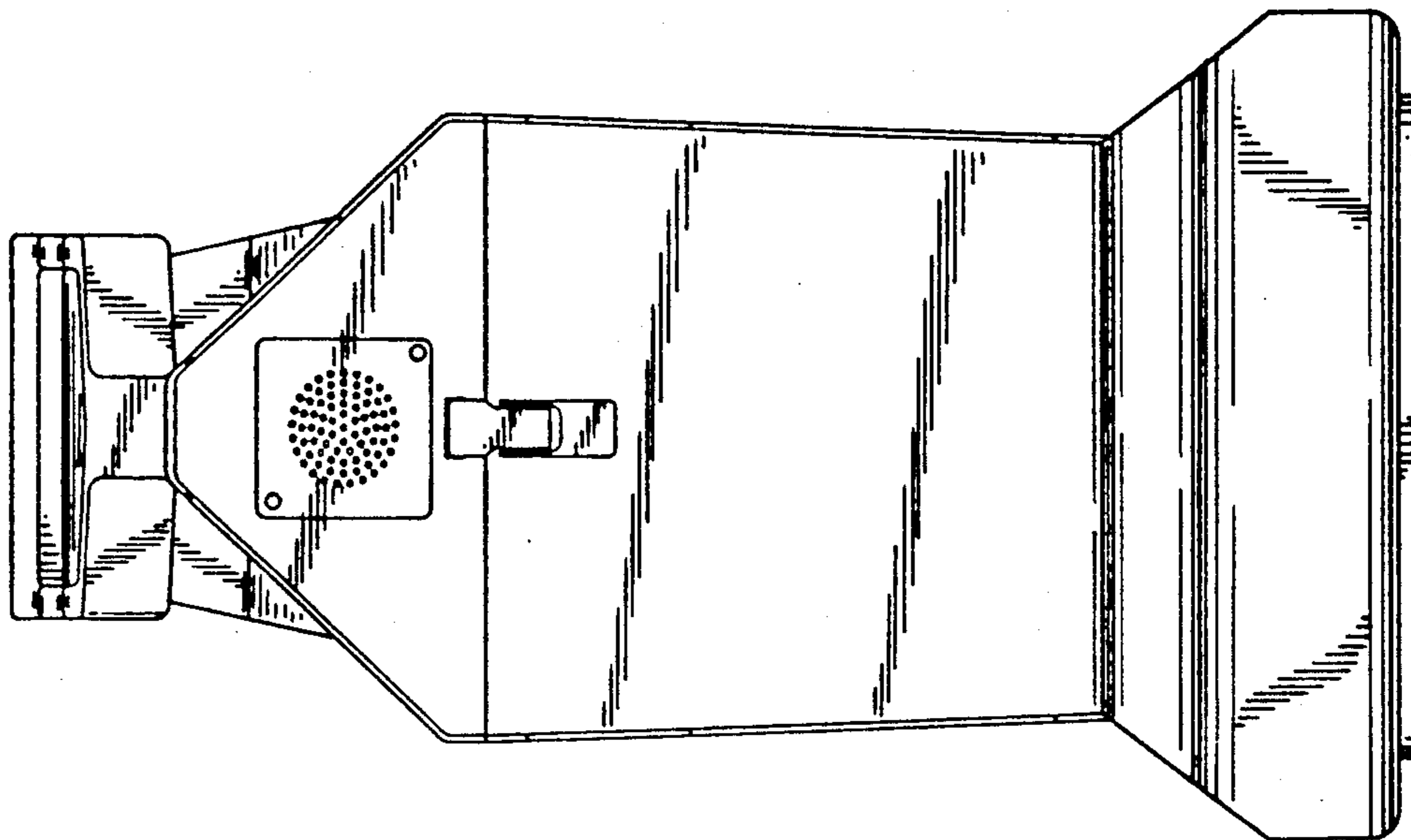
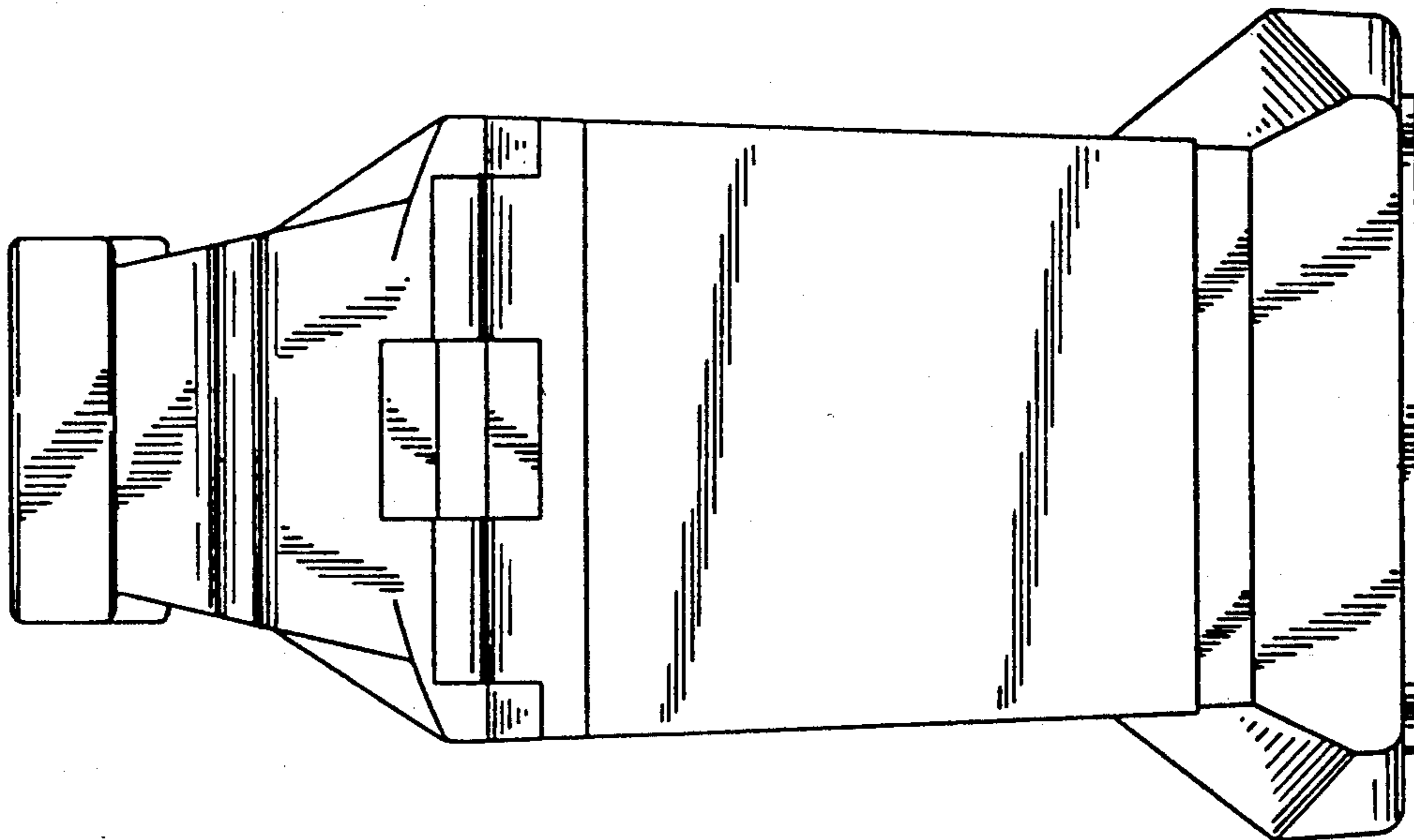


FIG. 4



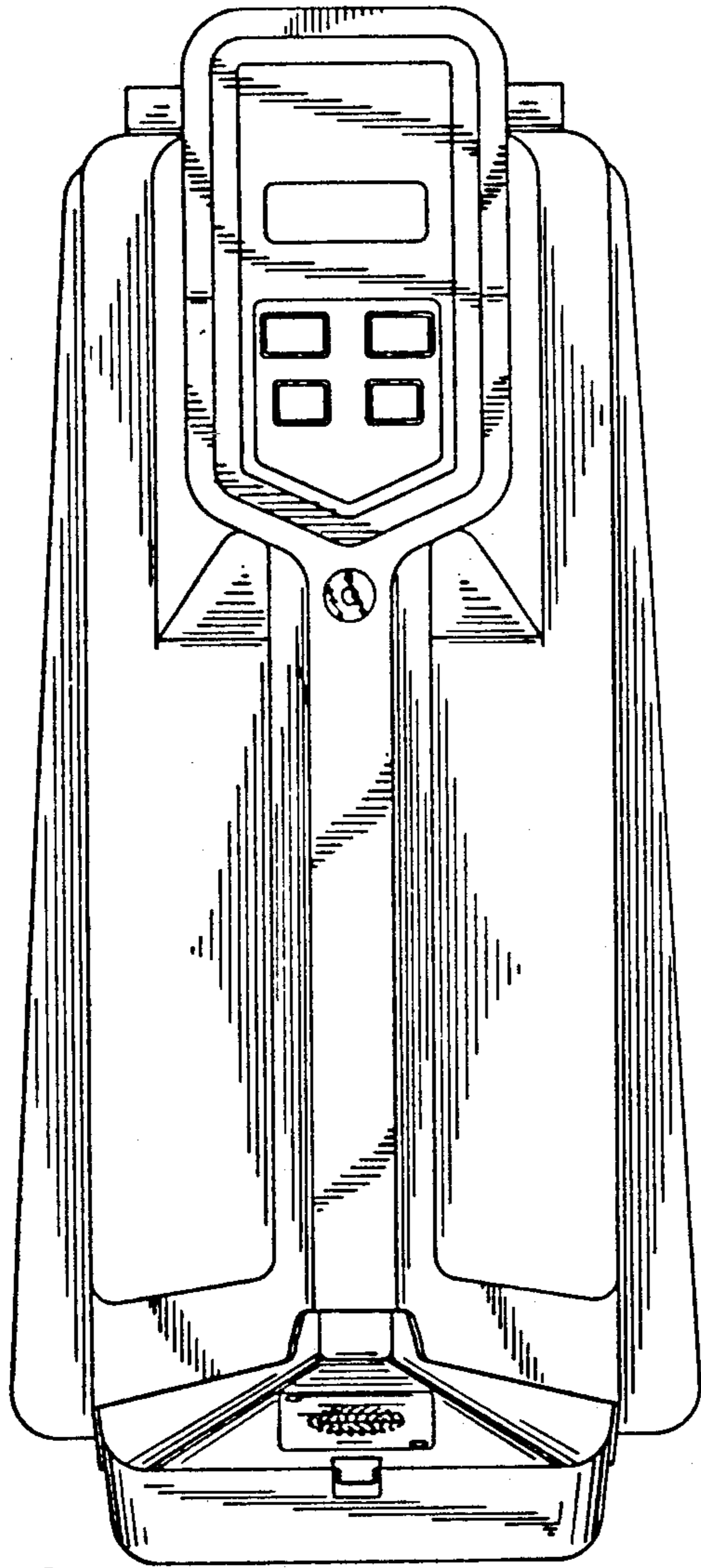


FIG. 6

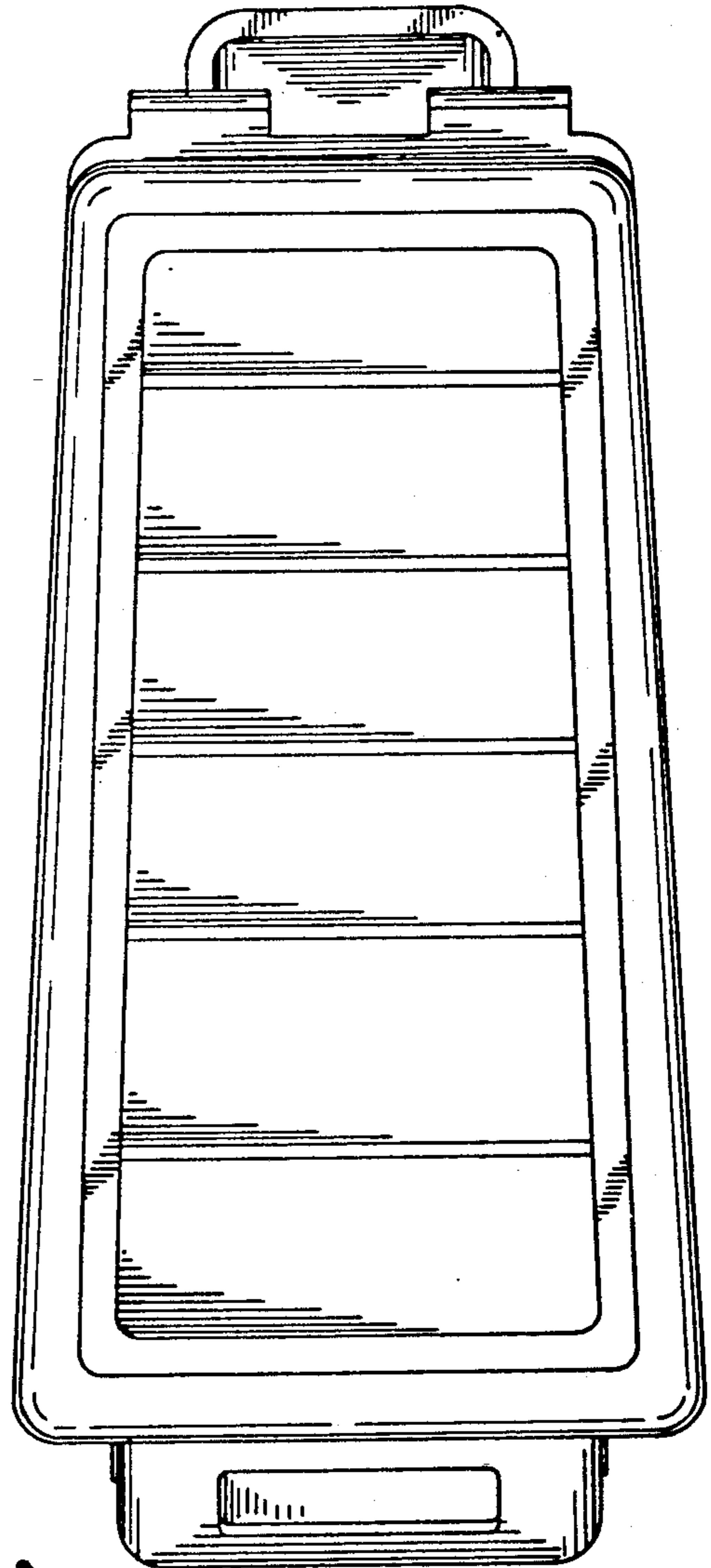


FIG. 7