



US00D328252S

United States Patent [19]

[11] Patent Number: **Des. 328,252**

Miyake

[45] Date of Patent: **** Jul. 28, 1992**

[54] **PLUG FOR BLOOD COLLECTING TUBE**

D. 315,680	3/1991	Baxter	D24/224 X
3,958,572	5/1976	Lawhead	215/320 X
4,444,330	4/1984	Kassai et al.	D24/224 X

[75] Inventor: **Sanae Miyake, Yamanashi, Japan**

[73] Assignee: **Terumo Kabushiki Kaisha, Tokyo, Japan**

Primary Examiner—Stella Reid
Attorney, Agent, or Firm—Frishauf, Holtz, Goodman & Woodward

[**] Term: **14 Years**

[57] **CLAIM**

[21] Appl. No.: **450,015**

The ornamental design for a plug for blood collecting tube, as shown and described.

[22] Filed: **Dec. 12, 1989**

DESCRIPTION

[30] **Foreign Application Priority Data**

Jun. 15, 1989 [JP] Japan 1-21865

[52] U.S. Cl. **D9/439; D24/224**

[58] Field of Search **D24/224, 232; 215/296, 215/355, 227, 305, 320, 354, 261**

FIG. 1 is a perspective view of a plug for blood collecting tube showing my new design;

FIG. 2 is a front elevational view thereof, the rear elevational view being identical thereto;

FIG. 3 is a right side elevational view thereof, the left side elevational view being identical thereto;

FIG. 4 is a top plan view thereof;

FIG. 5 is a bottom plan view thereof; and,

FIG. 6 is a cross-sectional view thereof taken along line VI—VI of FIG. 2.

[56] **References Cited**

U.S. PATENT DOCUMENTS

D. 301,117	5/1989	Baxter	D24/224 X
D. 301,118	5/1989	Baxter	D24/224 X

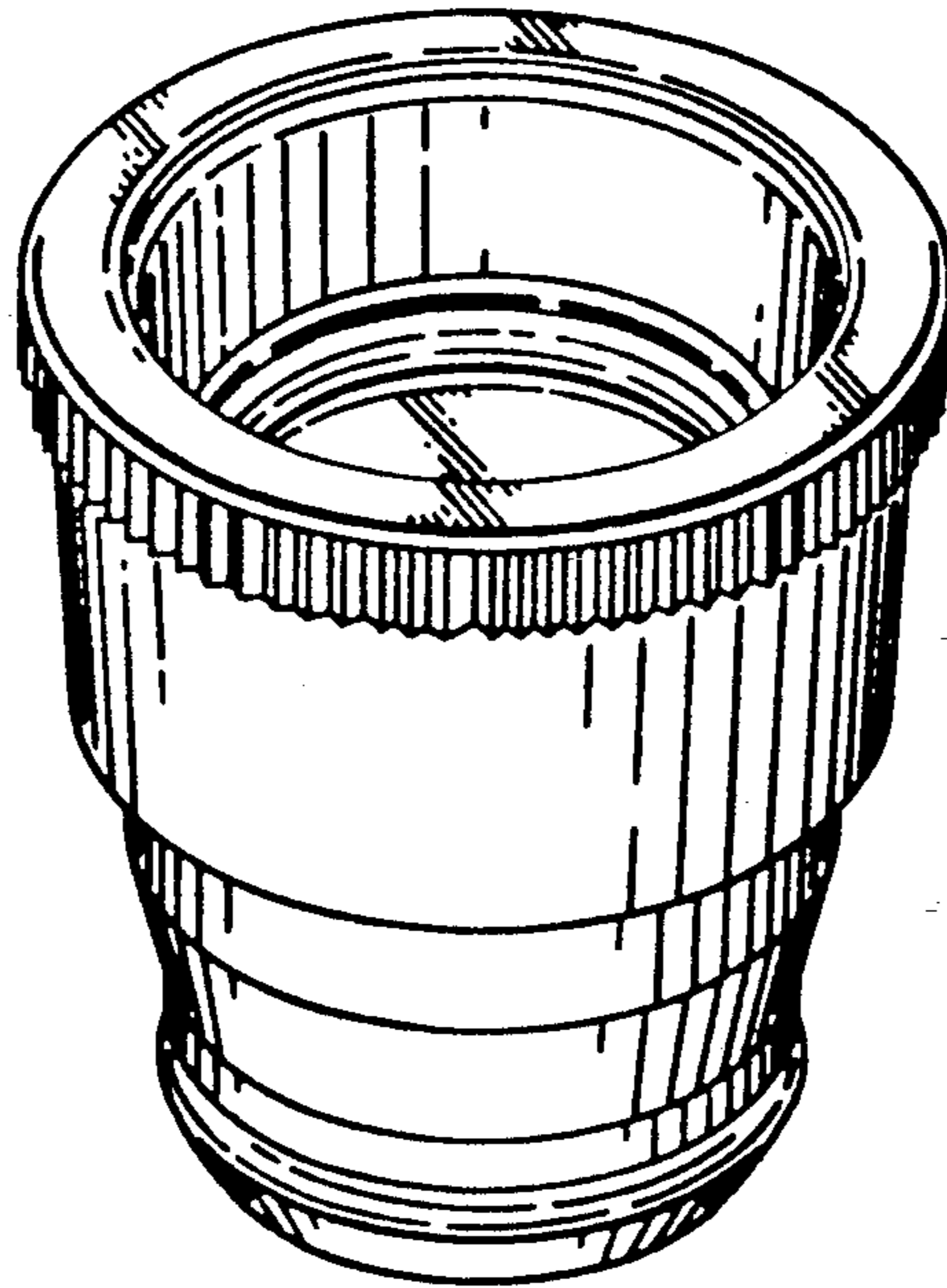


FIG. 1

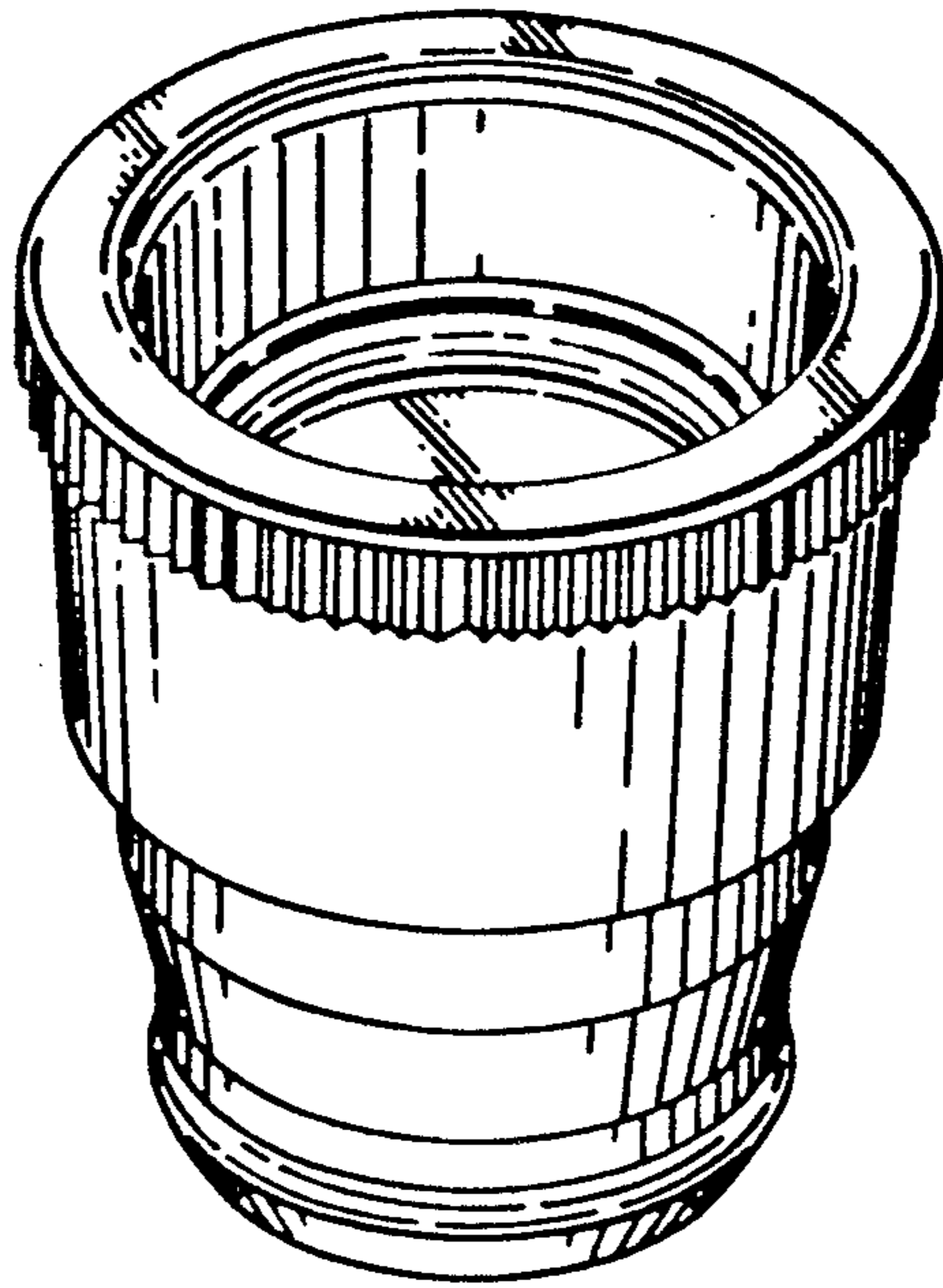


FIG. 2

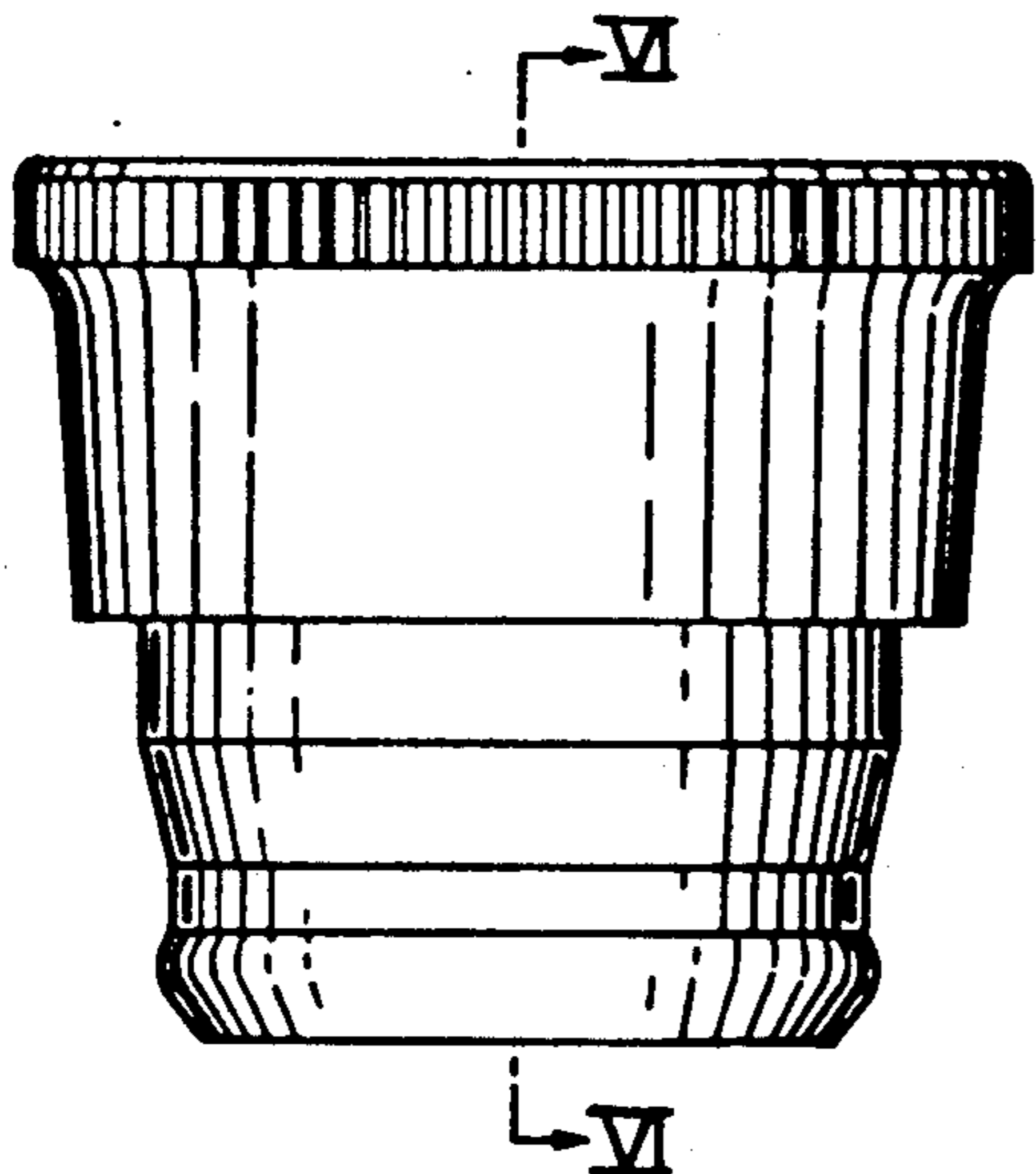


FIG. 3

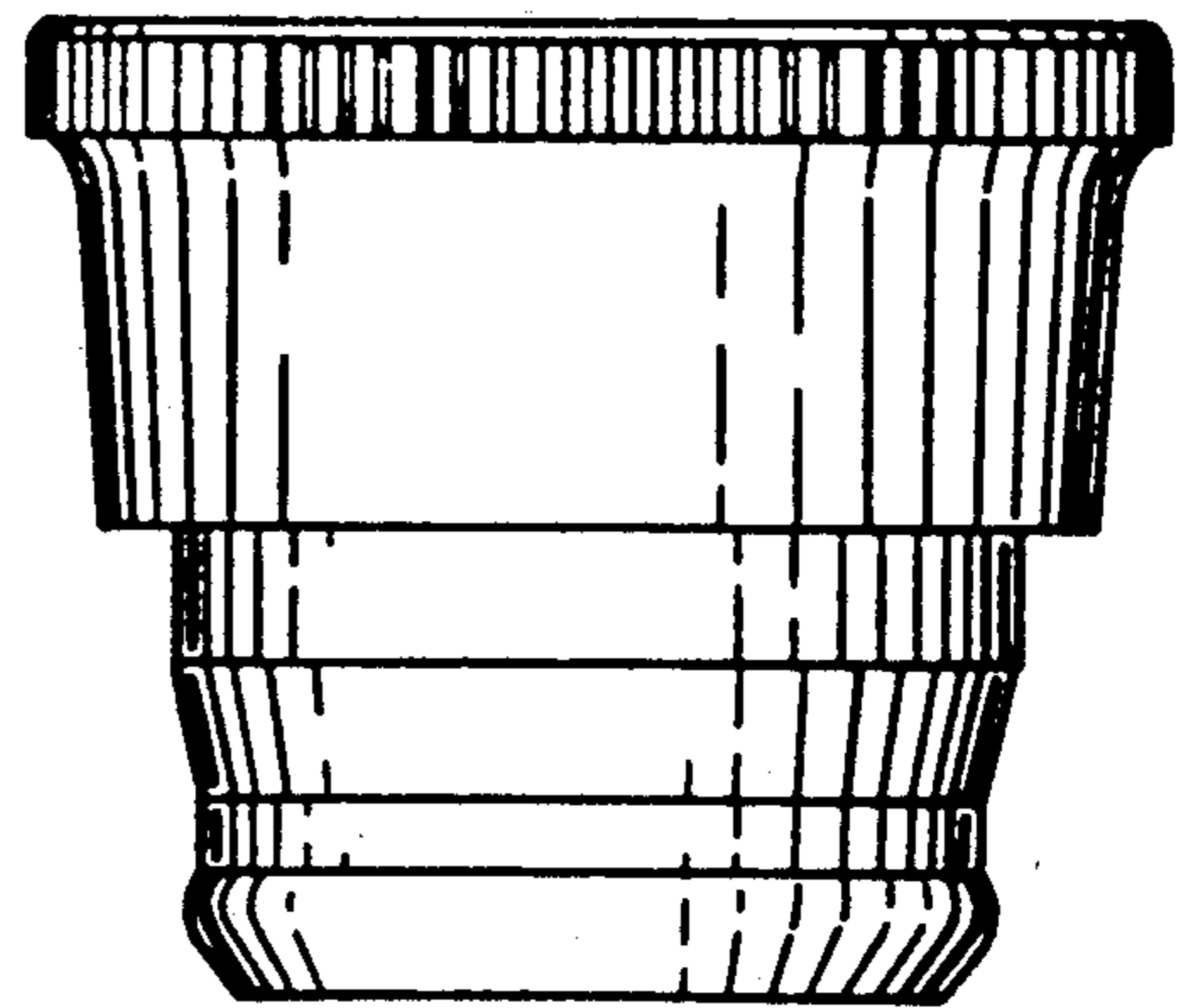


FIG.4

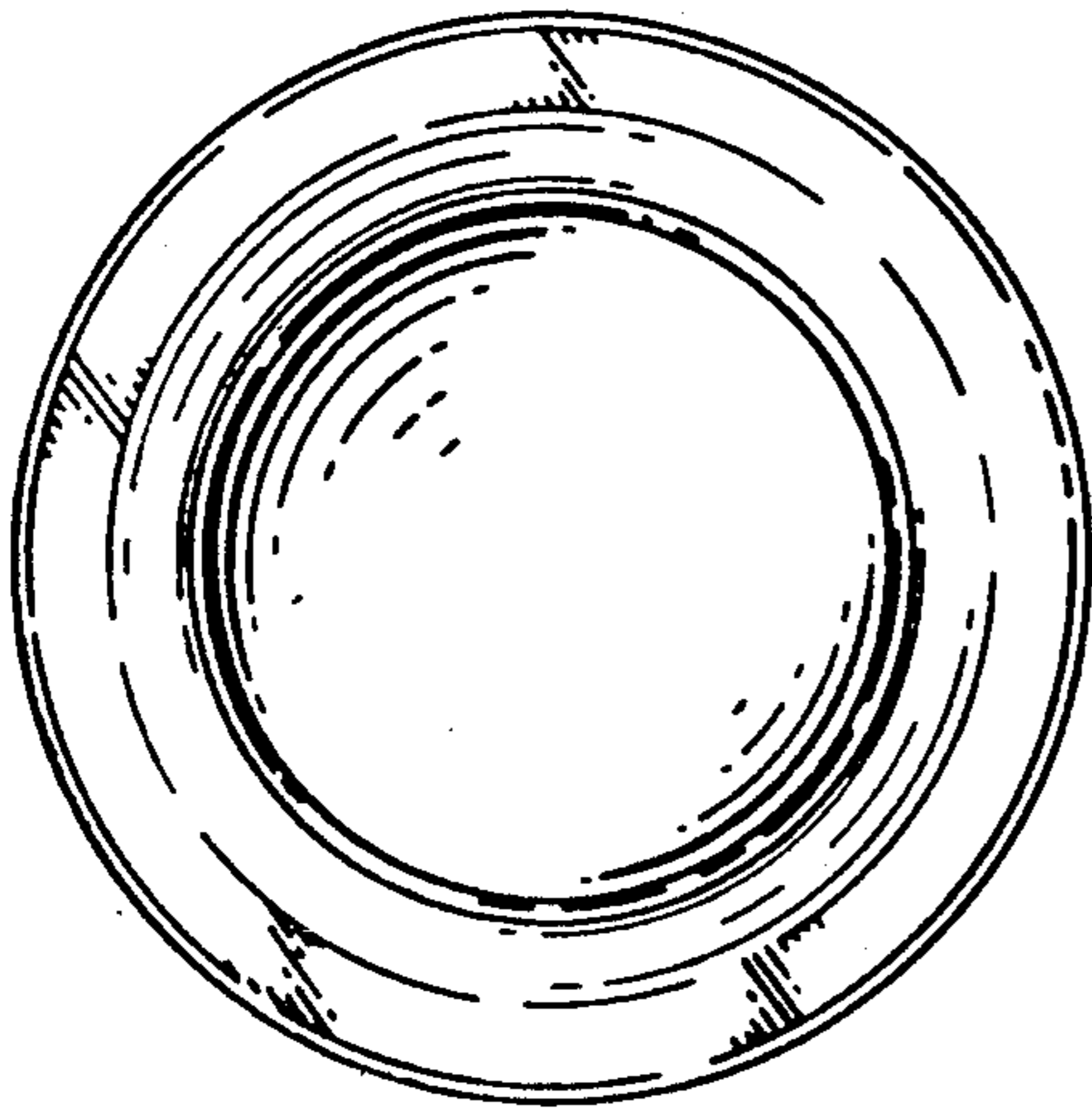


FIG.5

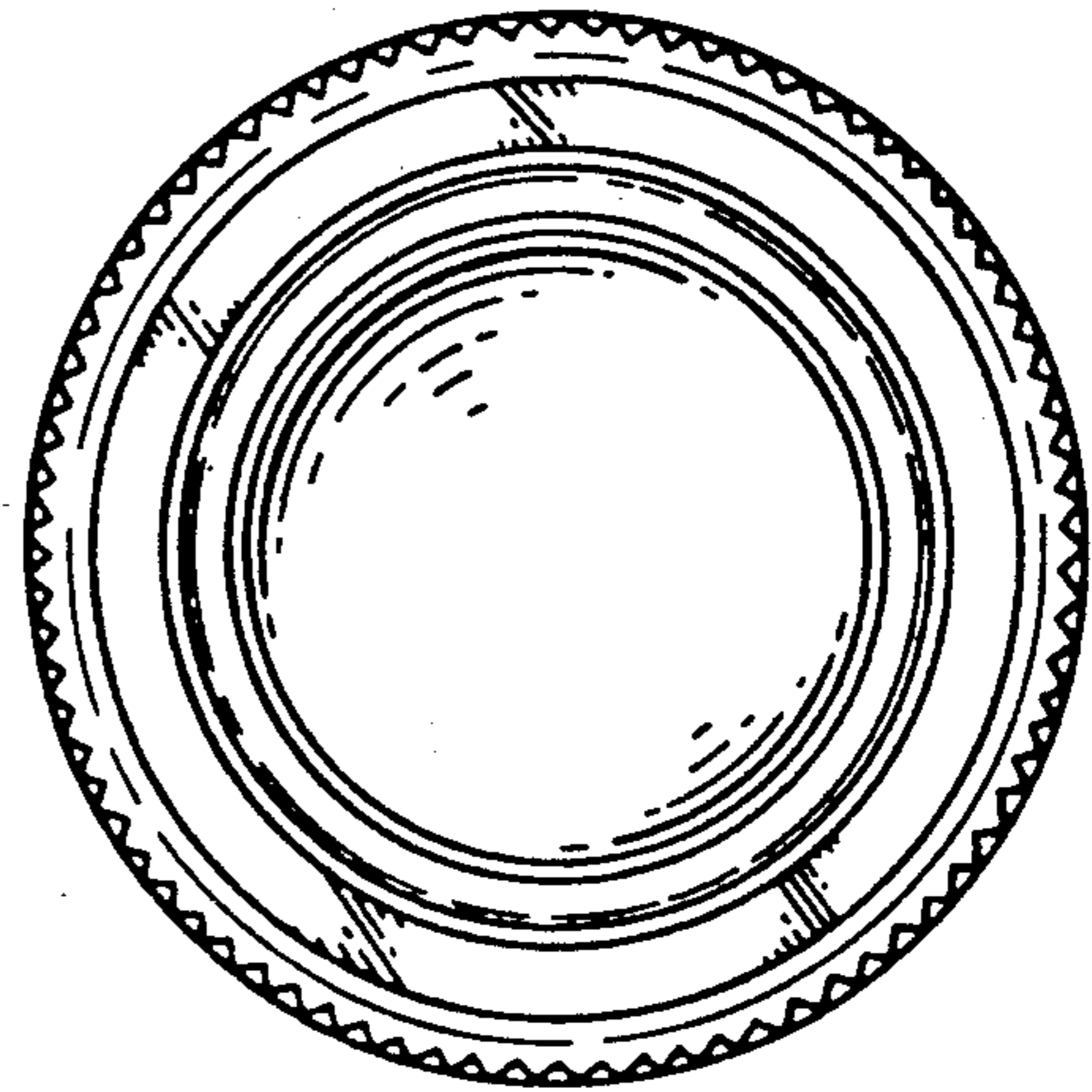


FIG.6

