



US00D328242S

United States Patent [19]

[11] Patent Number: Des. 328,242

Chan

[45] Date of Patent: ** Jul. 28, 1992

[54] COMBINED ANCHOR AND CLIP

[56] References Cited

[75] Inventor: Wai K. Chan, Kowloon, Hong Kong

U.S. PATENT DOCUMENTS

[73] Assignee: Magician Industrial Company Ltd.,
Tsuen Wan, Hong Kong

D. 262,514	1/1982	Gilbert	D8/388
D. 275,555	9/1984	Giggey	D8/388
D. 299,006	12/1988	Mednick	D8/388
D. 309,095	7/1990	Holley	D8/395
D. 319,756	9/1991	Kimura	D21/157
D. 757,834	4/1904	Patten et al.	D21/157

[**] Term: 14 Years

Primary Examiner—B. J. Bullock
Attorney, Agent, or Firm—Schwartz & Weinrieb

[21] Appl. No.: 579,452

[57] CLAIM

The ornamental design for a combined anchor and clip, as shown.

[22] Filed: Sep. 7, 1990

DESCRIPTION

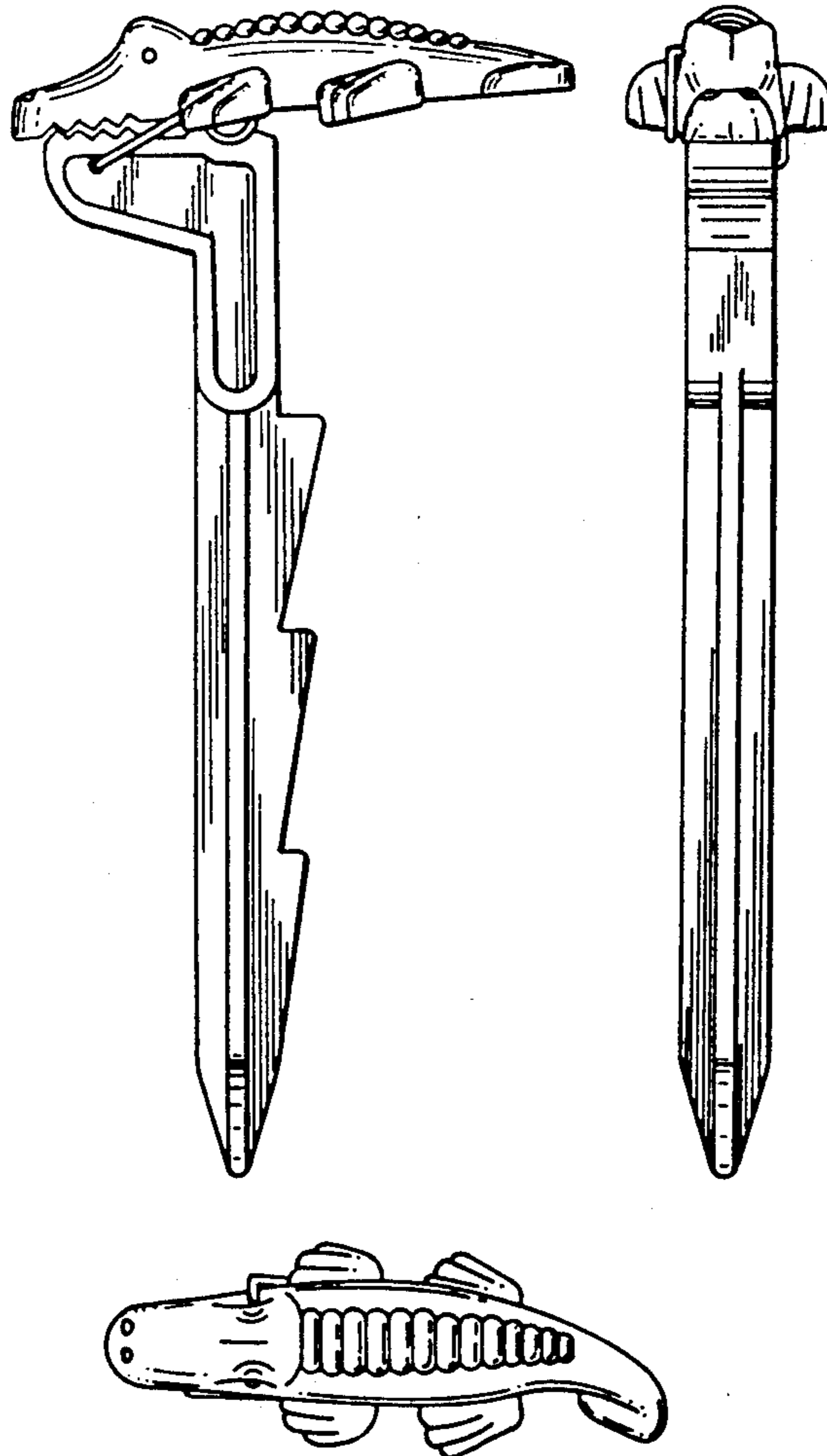
[30] Foreign Application Priority Data

Mar. 7, 1990 [GB] United Kingdom 2005219

[52] U.S. Cl. D8/388; D8/395;
D21/157

[58] Field of Search D8/388, 395; D21/157;
248/508, 510; 24/509, 510; 5/417

FIG. 1 is a right side elevational view of a combined anchor and clip showing my new design; FIG. 2 is a left side elevational view thereof; FIG. 3 is a front elevational view thereof; FIG. 4 is a rear elevational view thereof; FIG. 5 is a top plan view thereof; and, FIG. 6 is a bottom plan view thereof.



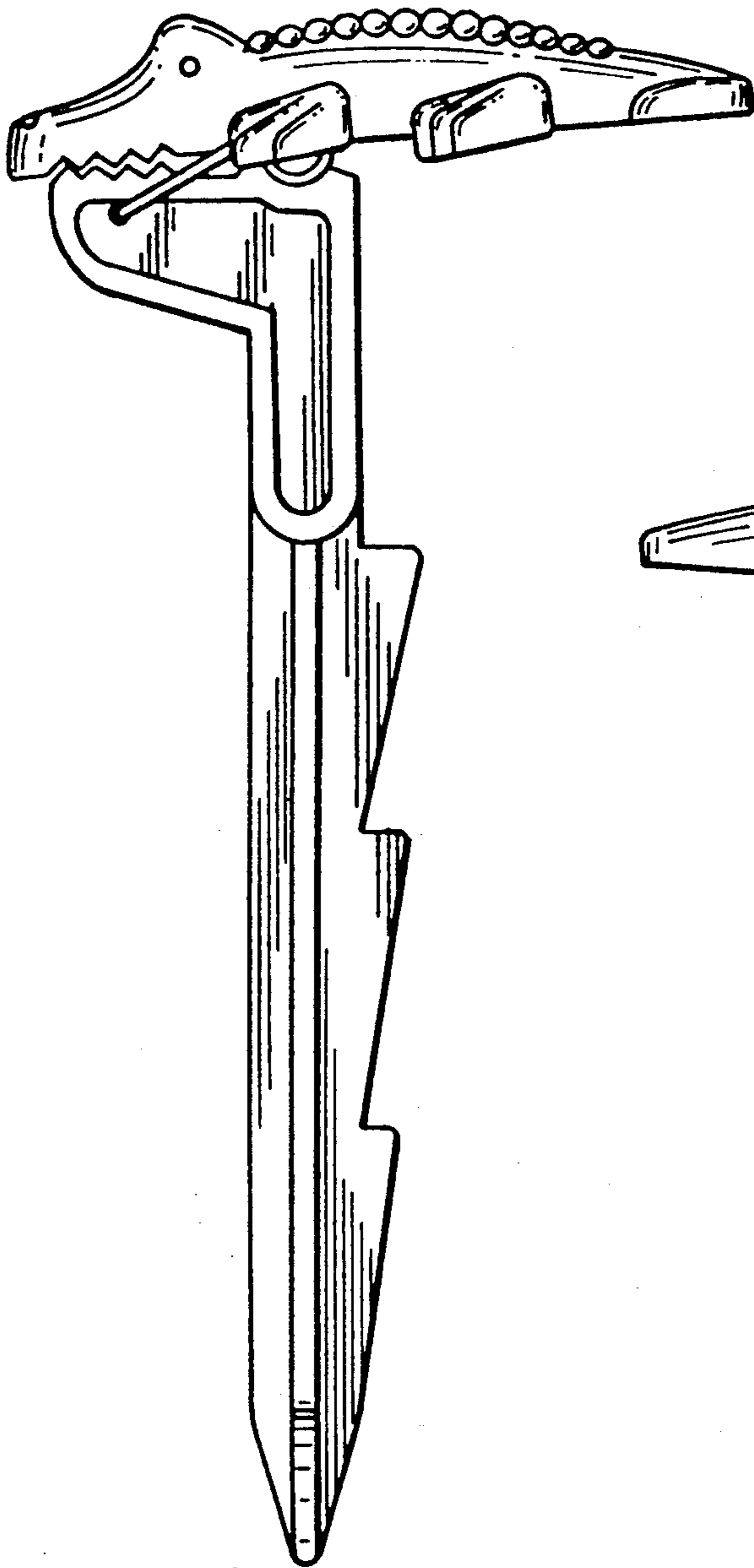


FIG. 1

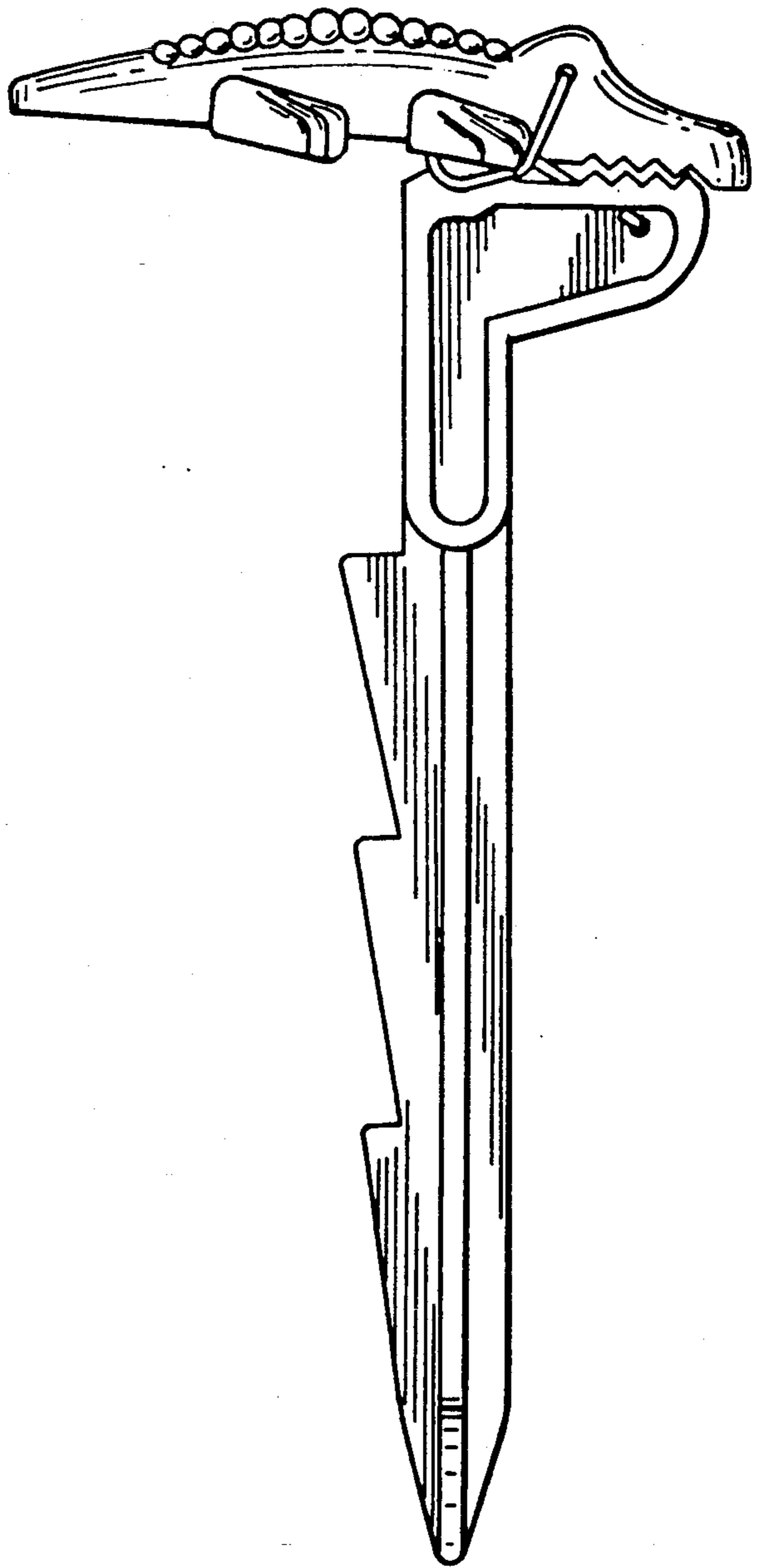


FIG. 2

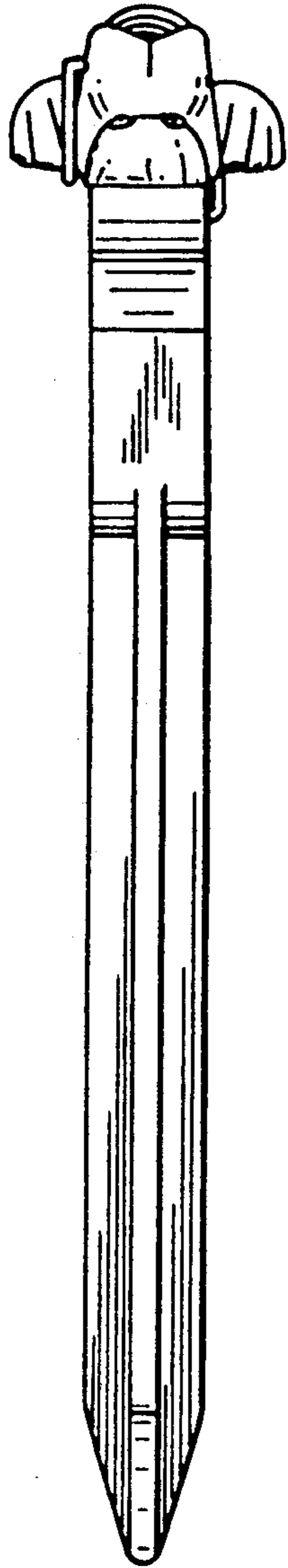


FIG. 3

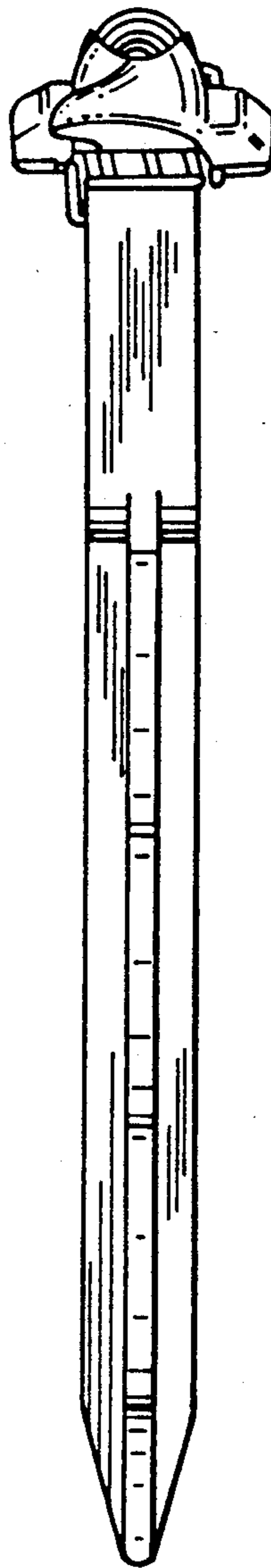


FIG. 4

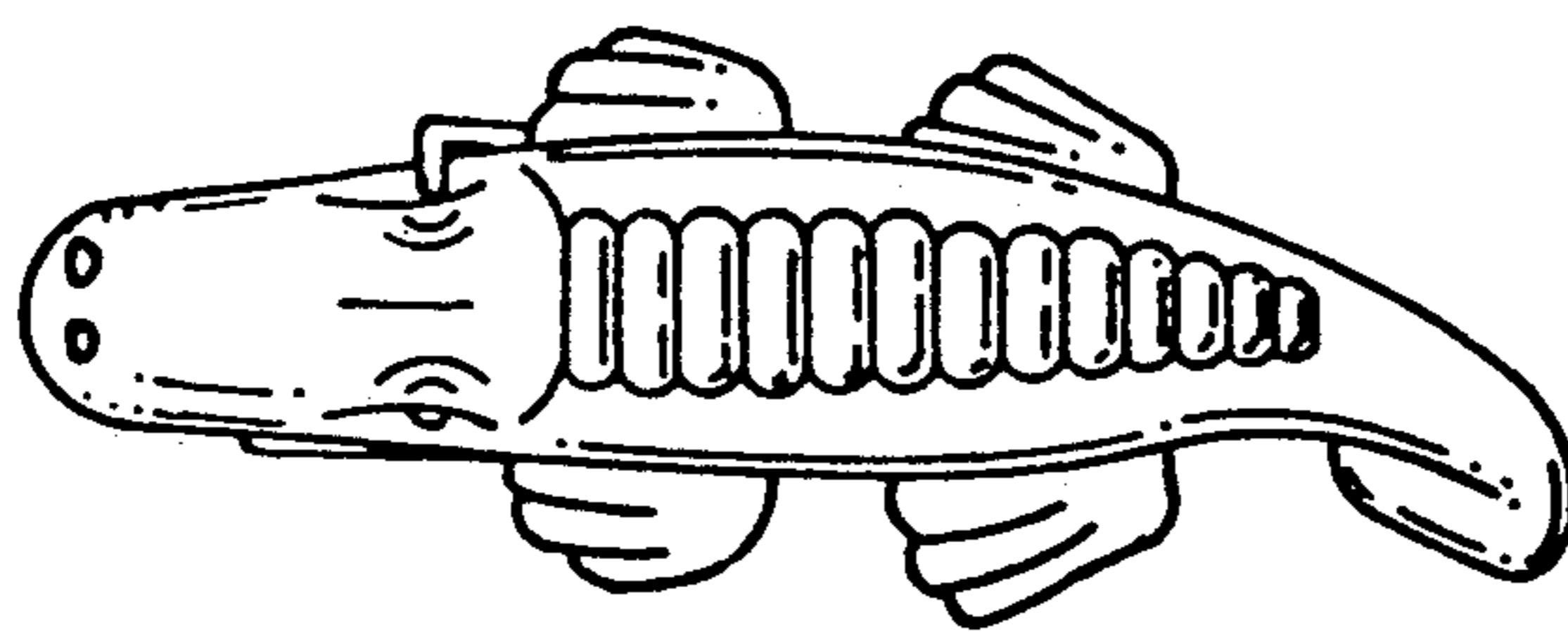


FIG. 5

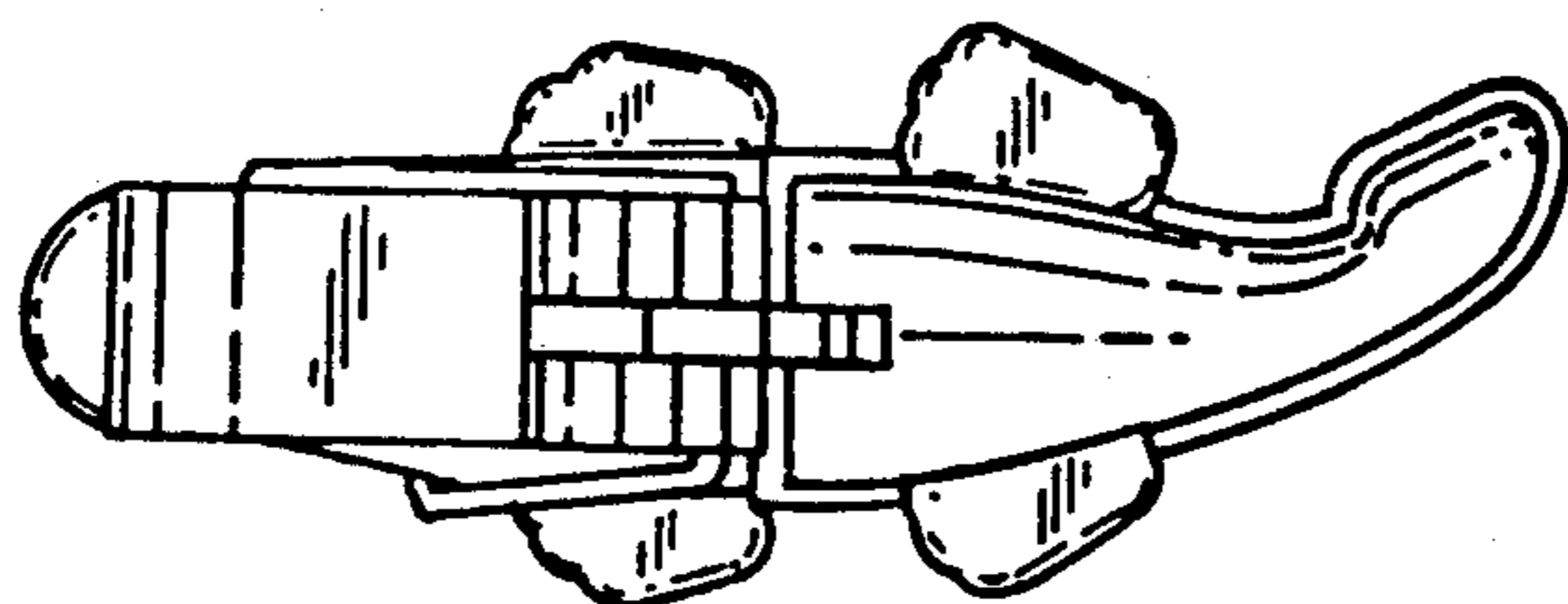


FIG. 6