



US00D328230S

United States Patent [19]

Jeffrey

[11] Patent Number: Des. 328,230

[45] Date of Patent: ** Jul. 28, 1992

[54] PAINTER'S TOOL OR SIMILAR ARTICLE

[76] Inventor: Philip E. Jeffrey, 512 E. Riverside, Ste. 206, Austin, Tex. 78704

[**] Term: 14 Years

[21] Appl. No.: 558,857

[22] Filed: Jul. 27, 1990

[52] U.S. Cl. D8/105; D8/89

[58] Field of Search D8/14, 89, 105, 81; 7/105, 151, 143, 166

[56] References Cited

U.S. PATENT DOCUMENTS

1,598,420	8/1926	Brossett	7/105
4,580,302	4/1986	Barth	7/105
4,631,769	12/1986	White	7/151
4,658,455	4/1987	Skillern	7/151
4,748,704	6/1988	Houdek	7/143
4,757,568	7/1988	Jones	7/151

OTHER PUBLICATIONS

Hyde Tools Publication, 1986, p. 4, Hammer Head 6-in-1 Painters Tool.

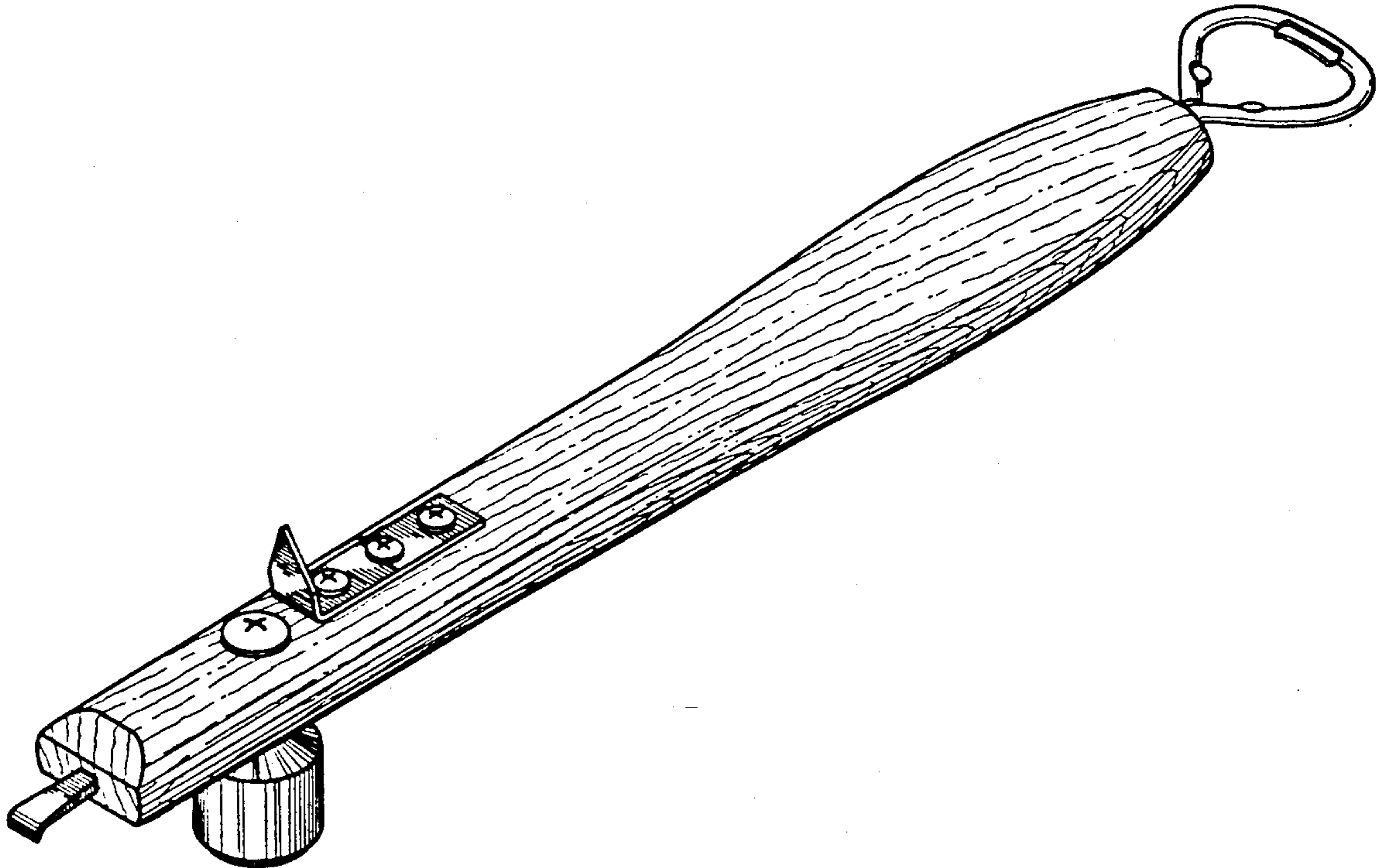
Primary Examiner—Bernard Ansher
Assistant Examiner—Philip Hyder
Attorney, Agent, or Firm—Shaffer & Culbertson

[57] CLAIM

The ornamental design for a painter's tool or similar article, as shown and described.

DESCRIPTION

FIG. 1 is a perspective view of a painter's tool or similar article, showing my new design;
FIG. 2 is a top plan view thereof;
FIG. 3 is a bottom plan view thereof;
FIG. 4 is a right side elevational view thereof;
FIG. 5 is a front elevational view thereof; and,
FIG. 6 is a rear elevational view thereof.



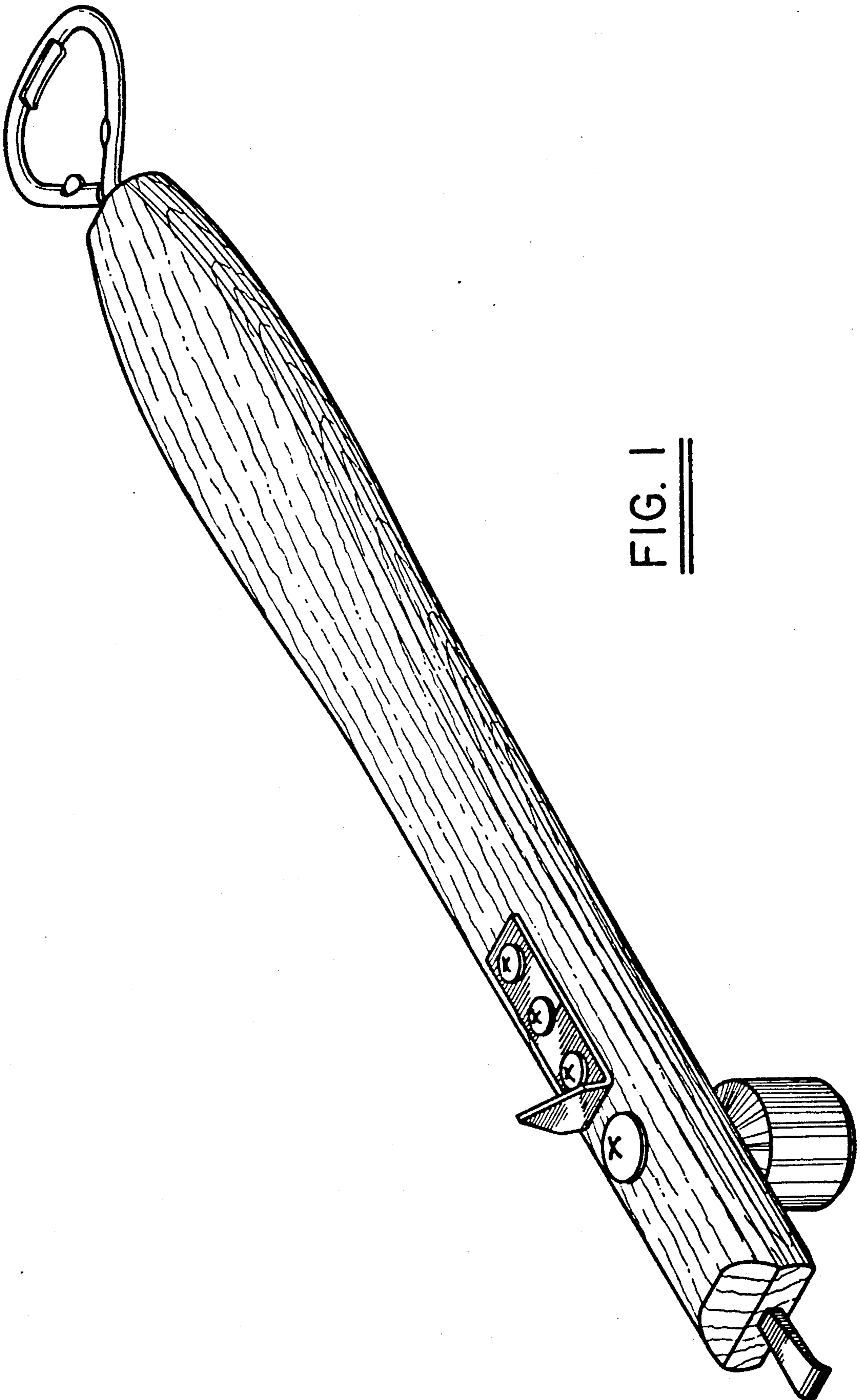


FIG. 1

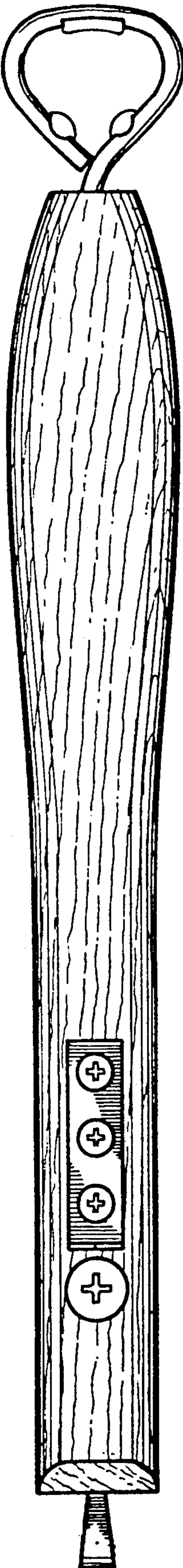


FIG. 2

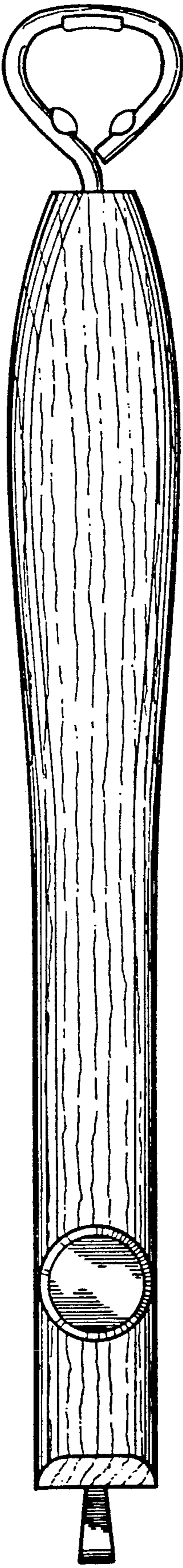


FIG. 3

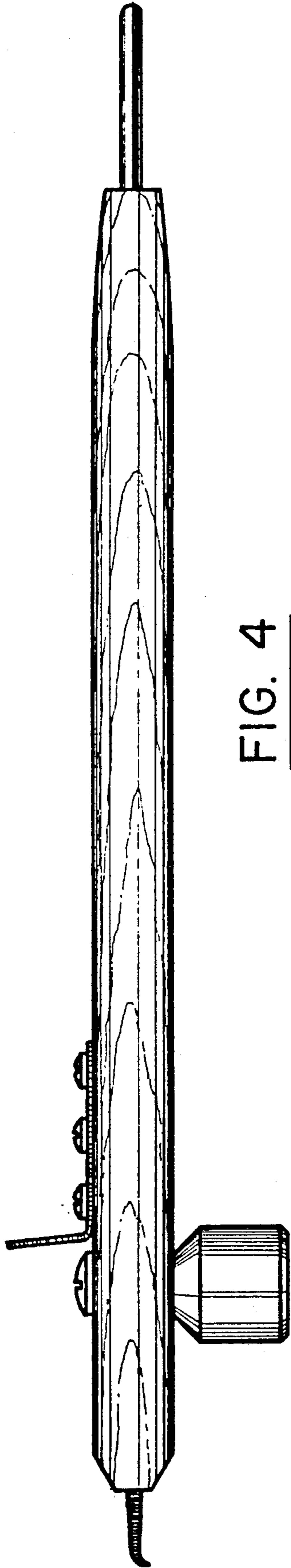


FIG. 4

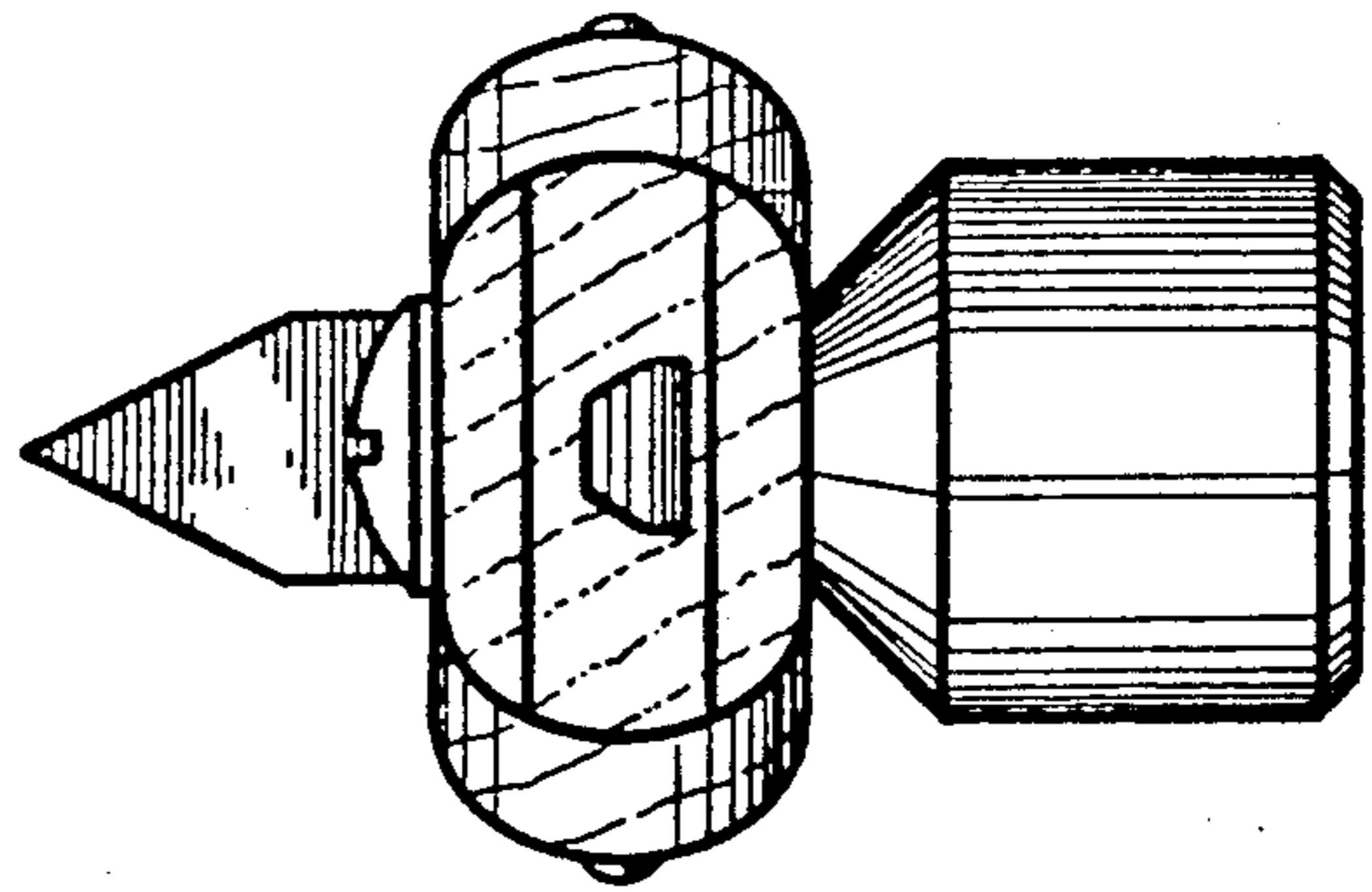


FIG. 5

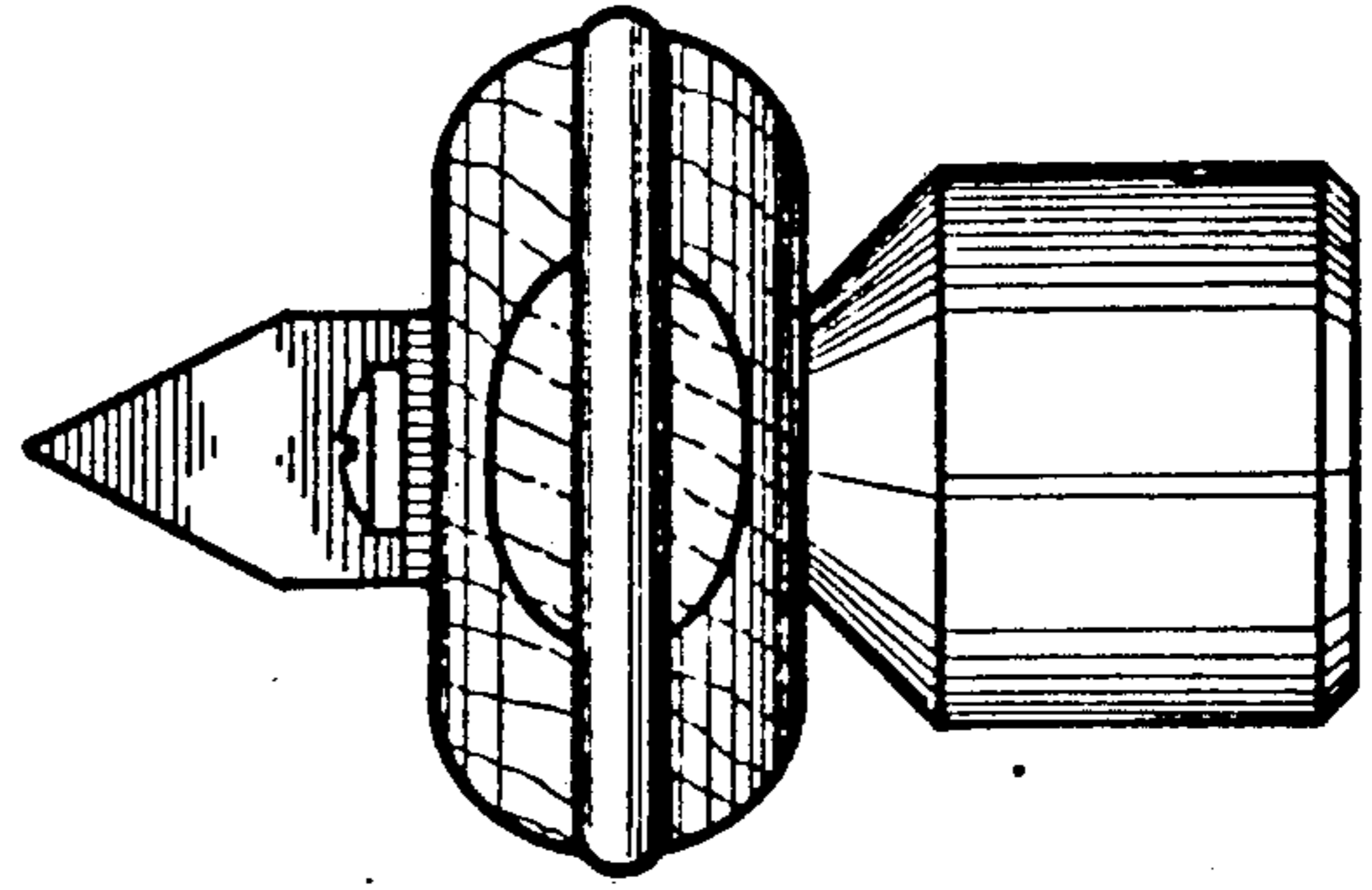


FIG. 6