



US00D328223S

# United States Patent [19]

[11] Patent Number: Des. 328,223

Clark

[45] Date of Patent: \*\* Jul. 28, 1992

[54] COMBINED DRINK CUP HOLDER AND SUPPORT

[75] Inventor: Bruce D. Clark, Wayzata, Minn.

[73] Assignee: MTS Northwest Sound, Inc., Minneapolis, Minn.

[\*\*] Term: 14 Years

[21] Appl. No.: 470,036

[22] Filed: Jan. 24, 1990

### Related U.S. Application Data

[63] Continuation-in-part of Ser. No. 402,423, Sep. 5, 1989, abandoned.

[52] U.S. Cl. .... D7/622

[58] Field of Search ..... D7/619, 620, 622; 215/100 A; 220/85 H, 94 R; 248/311.2; 294/27.1, 31.2

### [56] References Cited

#### U.S. PATENT DOCUMENTS

D. 194,364	1/1963	Hansen	.....	D7/622
D. 222,554	11/1971	Cockrum	.....	D7/622
D. 307,852	5/1990	Clark	.....	D7/620
3,269,683	8/1966	Shinaveiz	.....	D7/620 X
3,421,789	1/1969	Klomprens	.....	D7/622 X

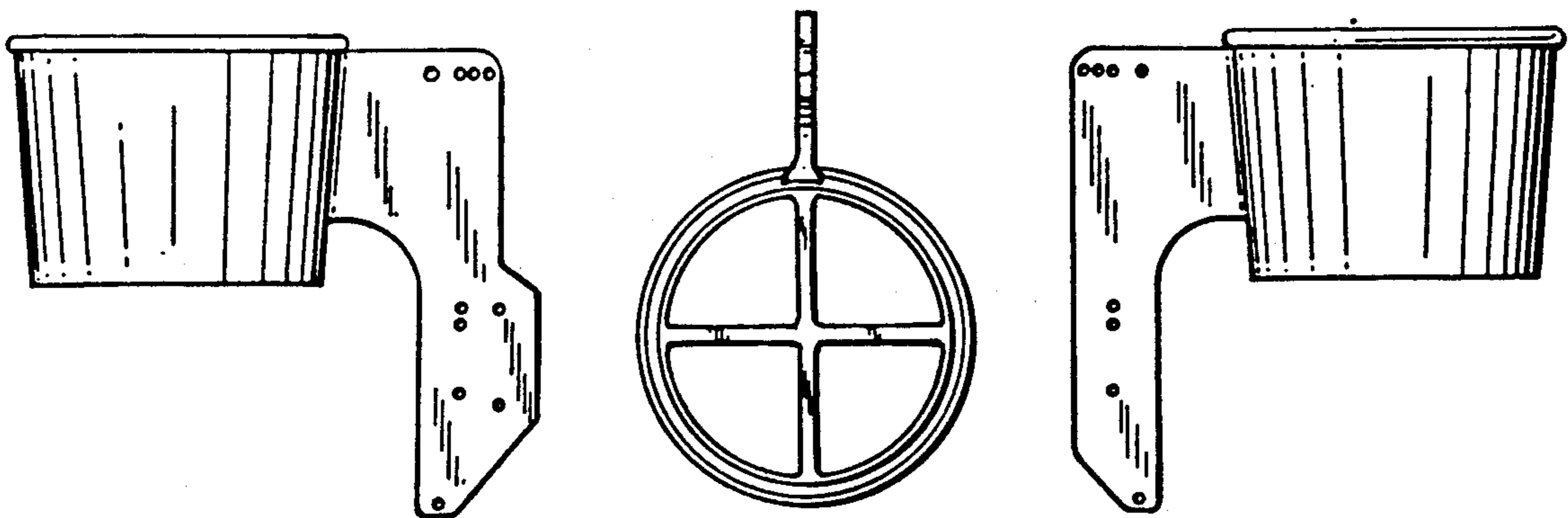
Primary Examiner—Terry A. Pfeffer  
Attorney, Agent, or Firm—Kinney & Lange

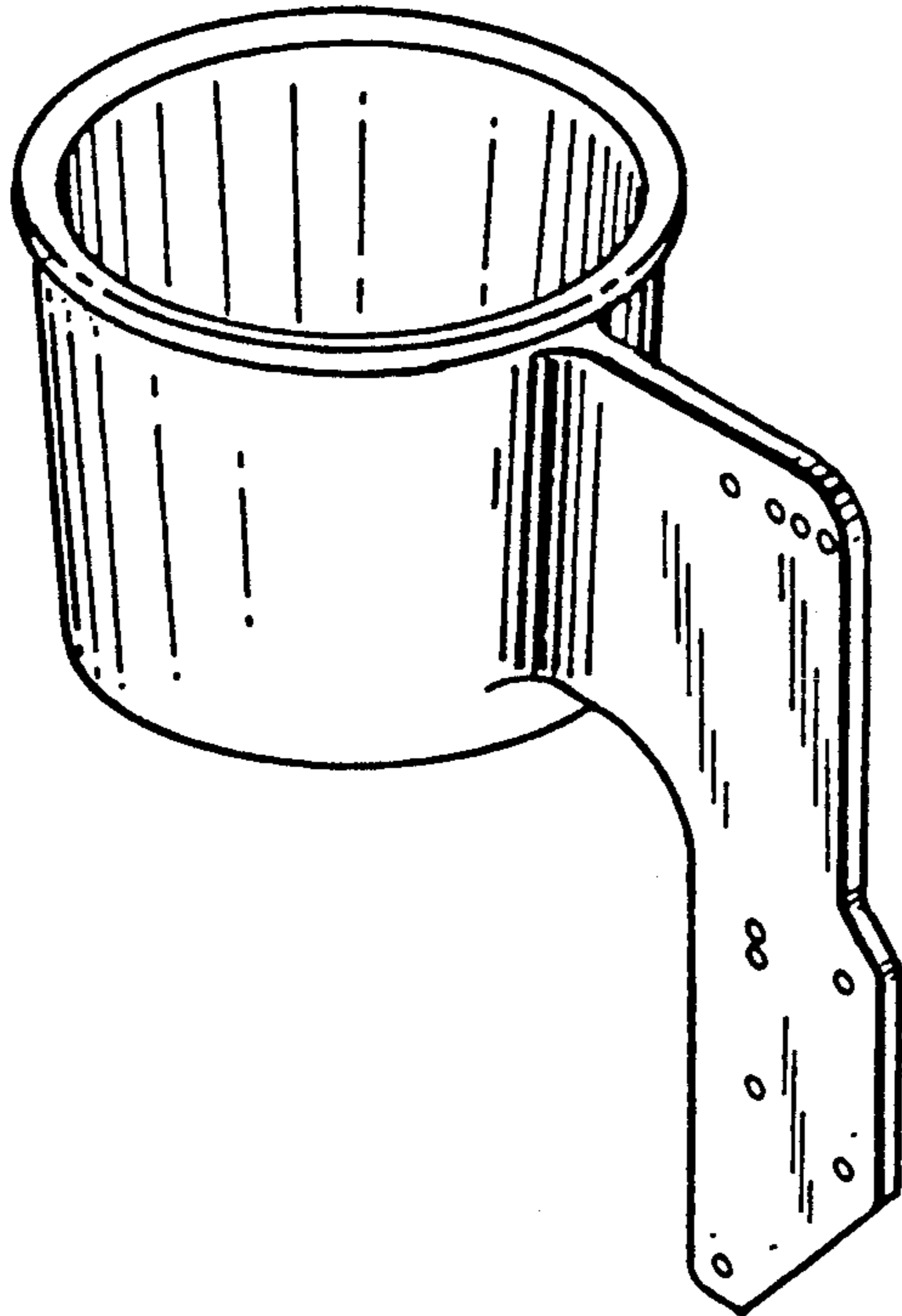
### [57] CLAIM

The ornamental design for a combined drink cup holder and support, as shown and described.

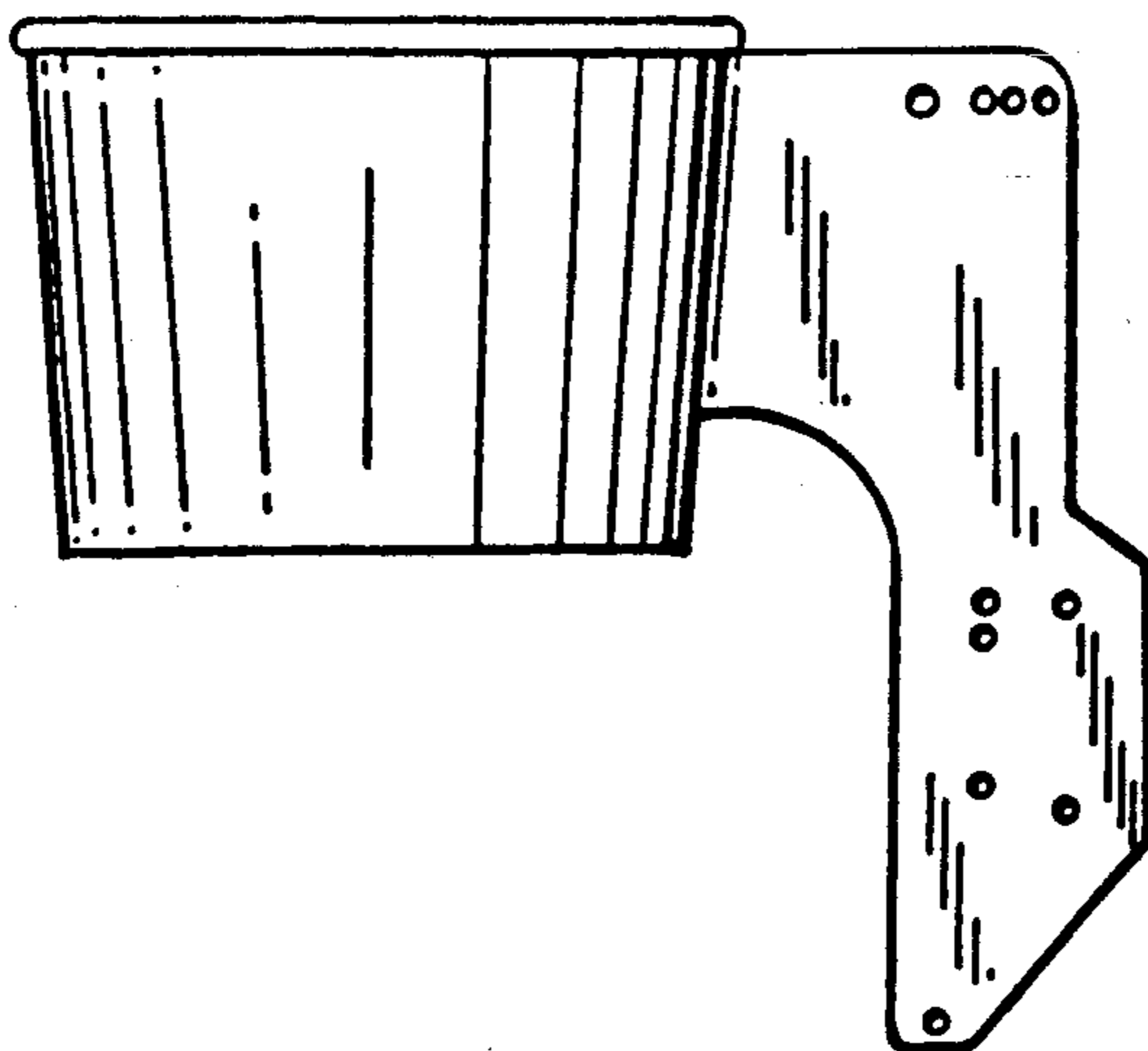
### DESCRIPTION

FIG. 1 is a perspective view of a combined drink cup holder and support showing my new design;  
 FIG. 2 is a side elevational view thereof the opposite being a mirror image;  
 FIG. 3 is a front elevational view thereof;  
 FIG. 4 is a rear elevational view thereof;  
 FIG. 5 is a top plan view thereof;  
 FIG. 6 is a bottom plan view thereof;  
 FIG. 7 is a side elevational view of an alternate embodiment of FIG. 1, the opposite side being a mirror image;  
 FIG. 8 is a perspective view of an alternate embodiment of FIG. 1;  
 FIG. 9 is a side elevational view of FIG. 8, the opposite side being a mirror image;  
 FIG. 10 is a front elevation view of FIG. 8;  
 FIG. 11 is a rear elevational view of FIG. 8;  
 FIG. 12 is a top plan view of FIG. 8;  
 FIG. 13 is a bottom plan view thereof;  
 FIG. 14 is a side elevational view of an alternate embodiment of FIG. 1; the opposite side being a mirror image;  
 FIG. 15 is a side elevational view of an alternate embodiment of FIG. 1, the opposite side being a mirror image; and,  
 FIG. 16 is a side elevational view of alternate embodiment of FIG. 1, the opposite side being a mirror image.  
 The holder portion of the alternate embodiments are the same as those shown in FIGS. 1-6.

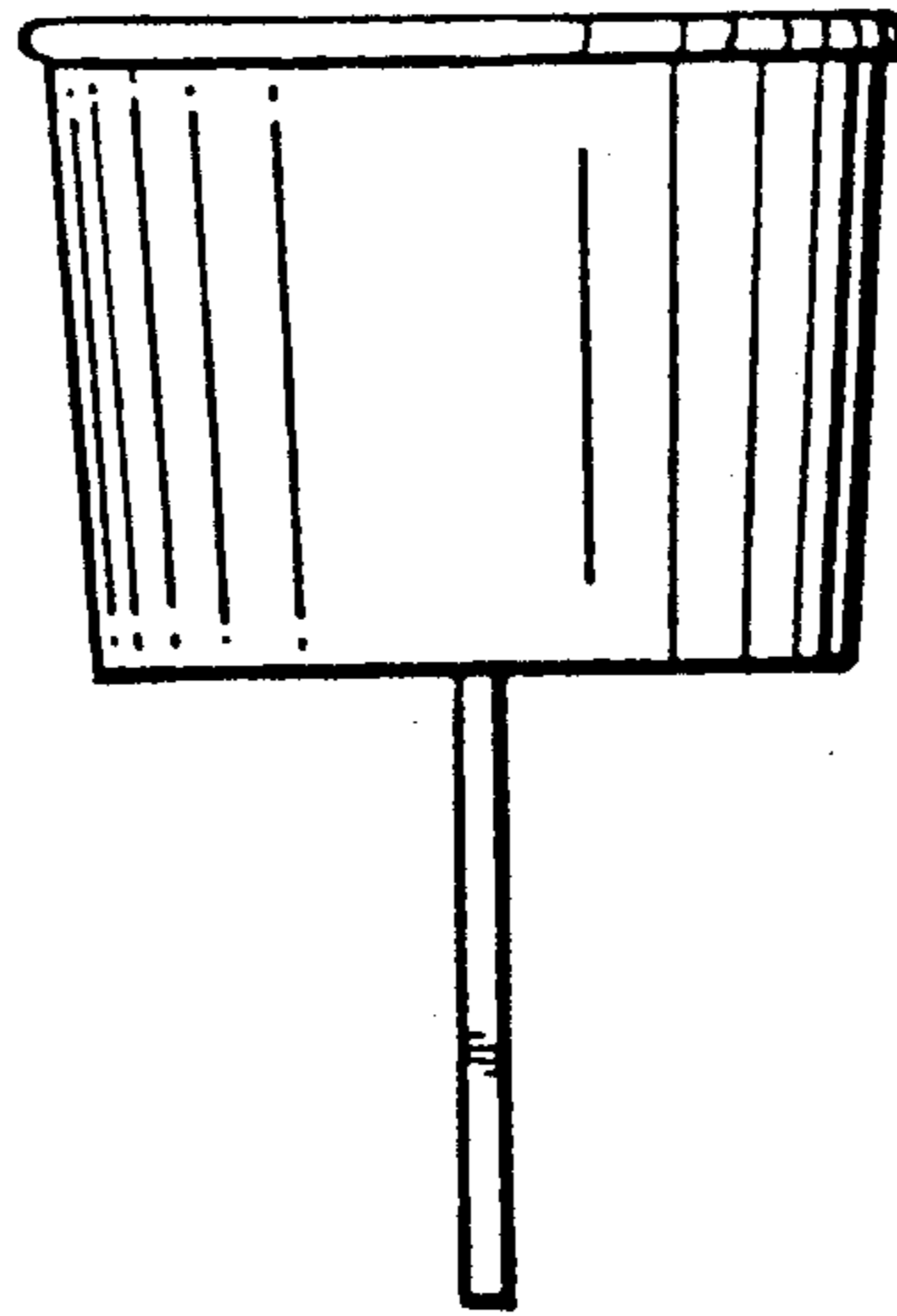




*Fig 1*

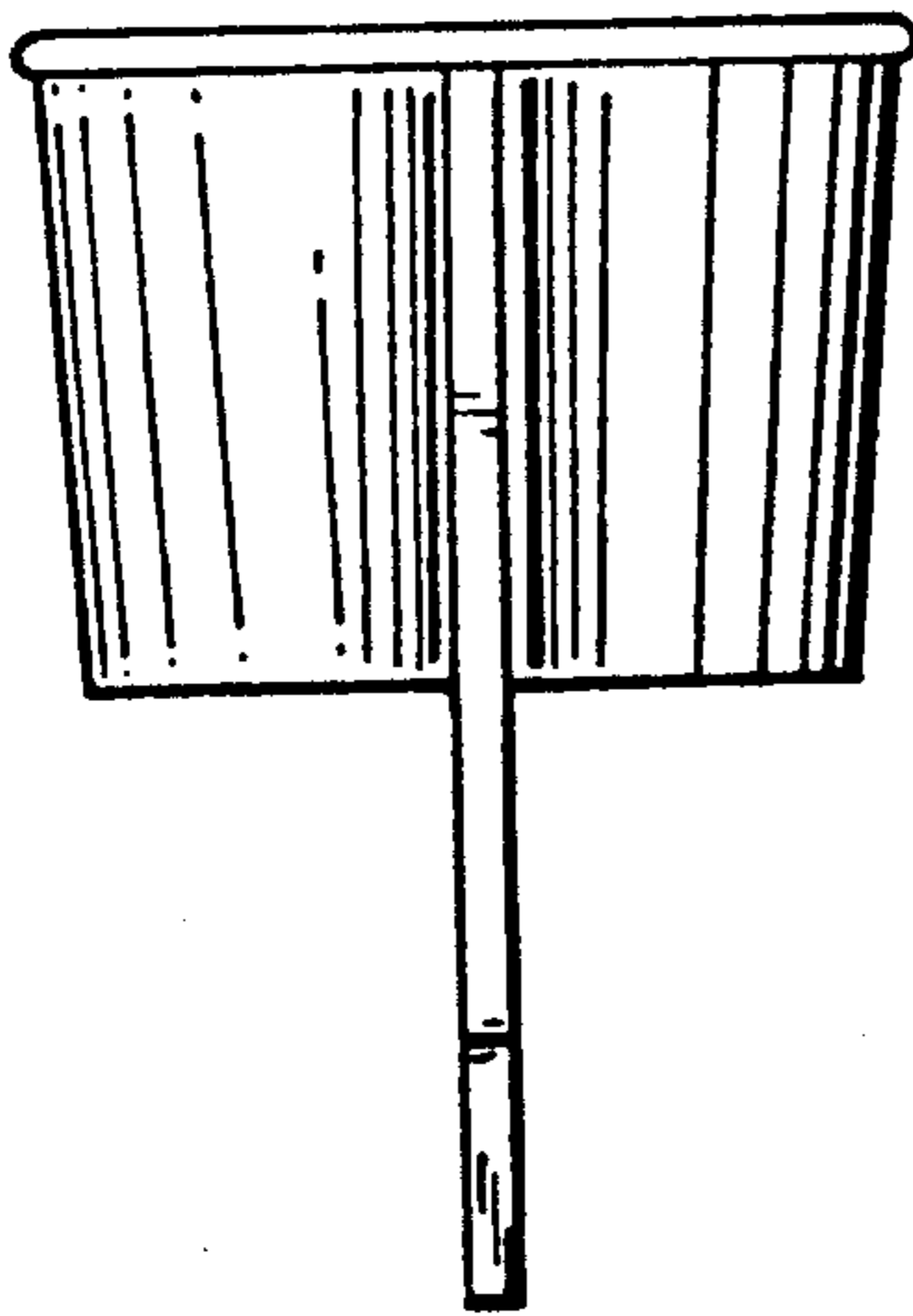


*Fig 2*

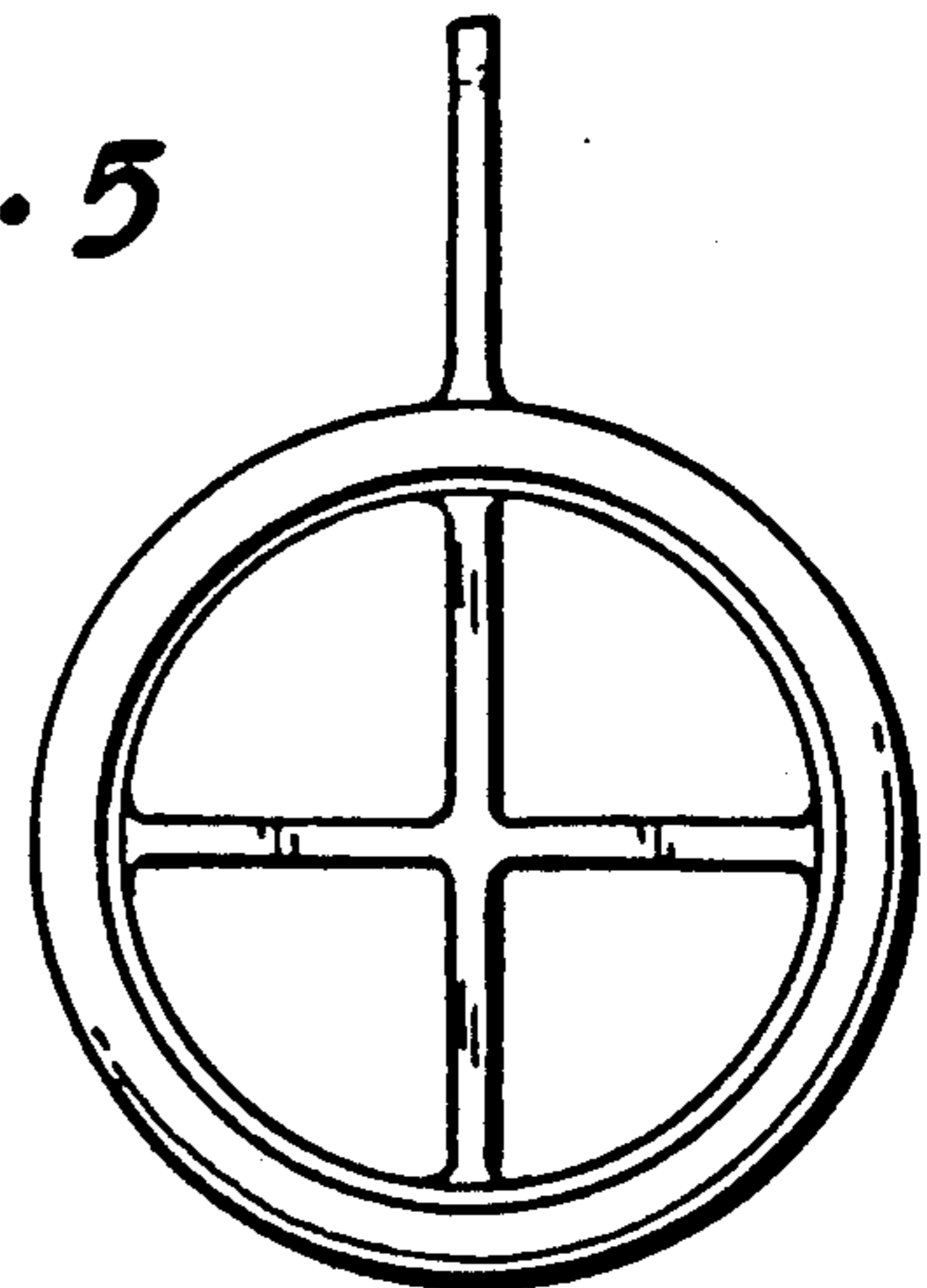


*Fig. 3*

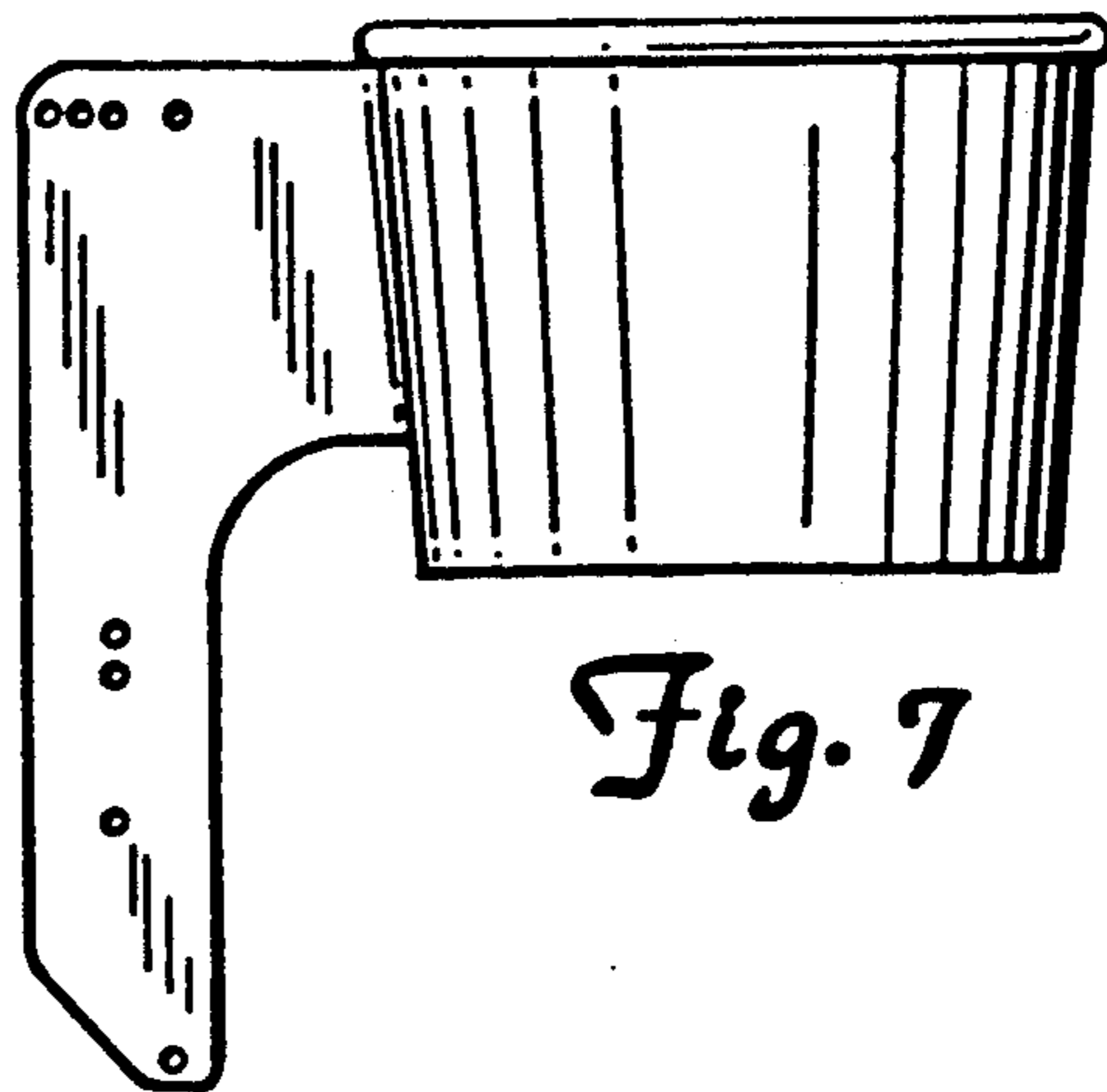
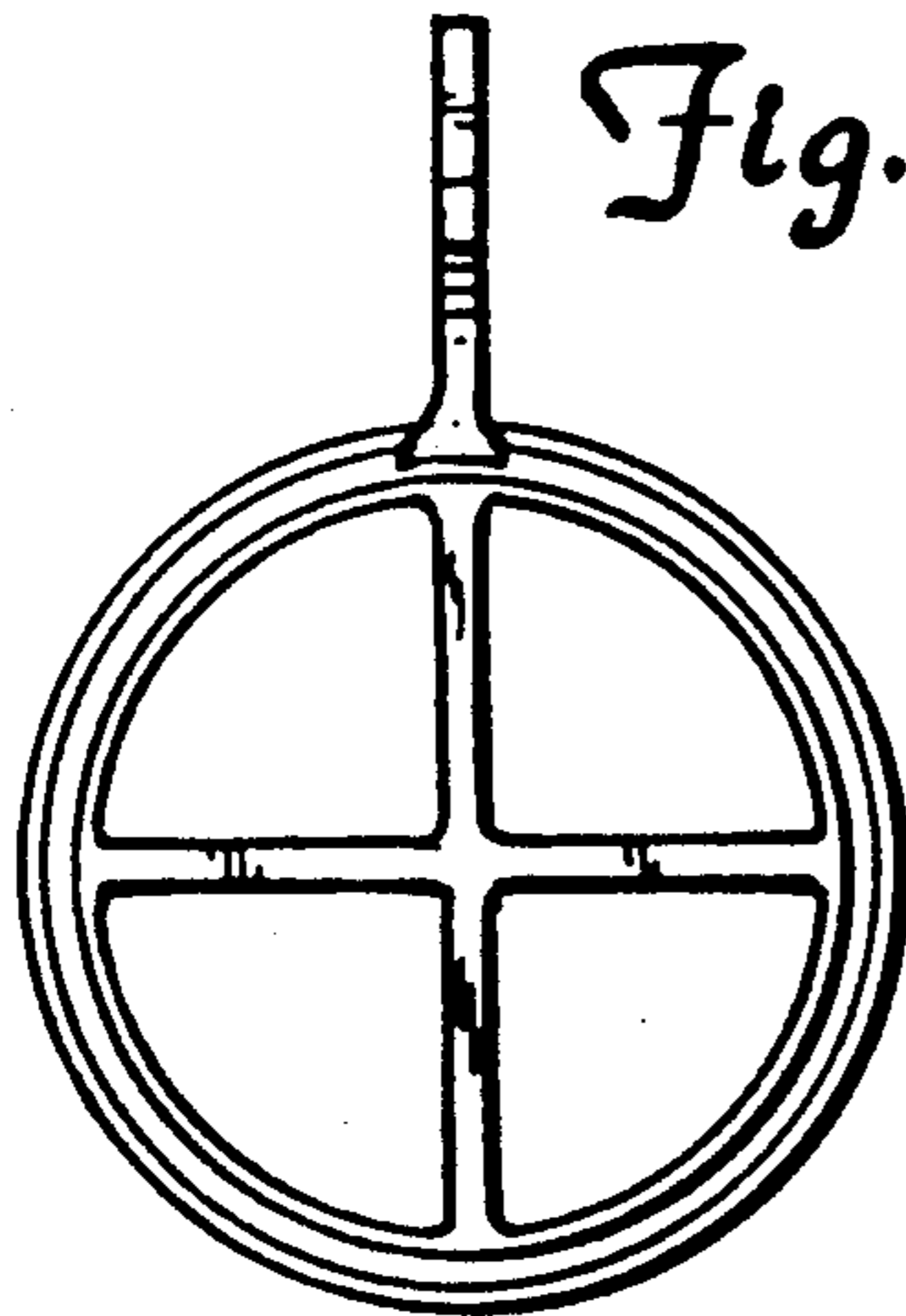
*Fig. 4*



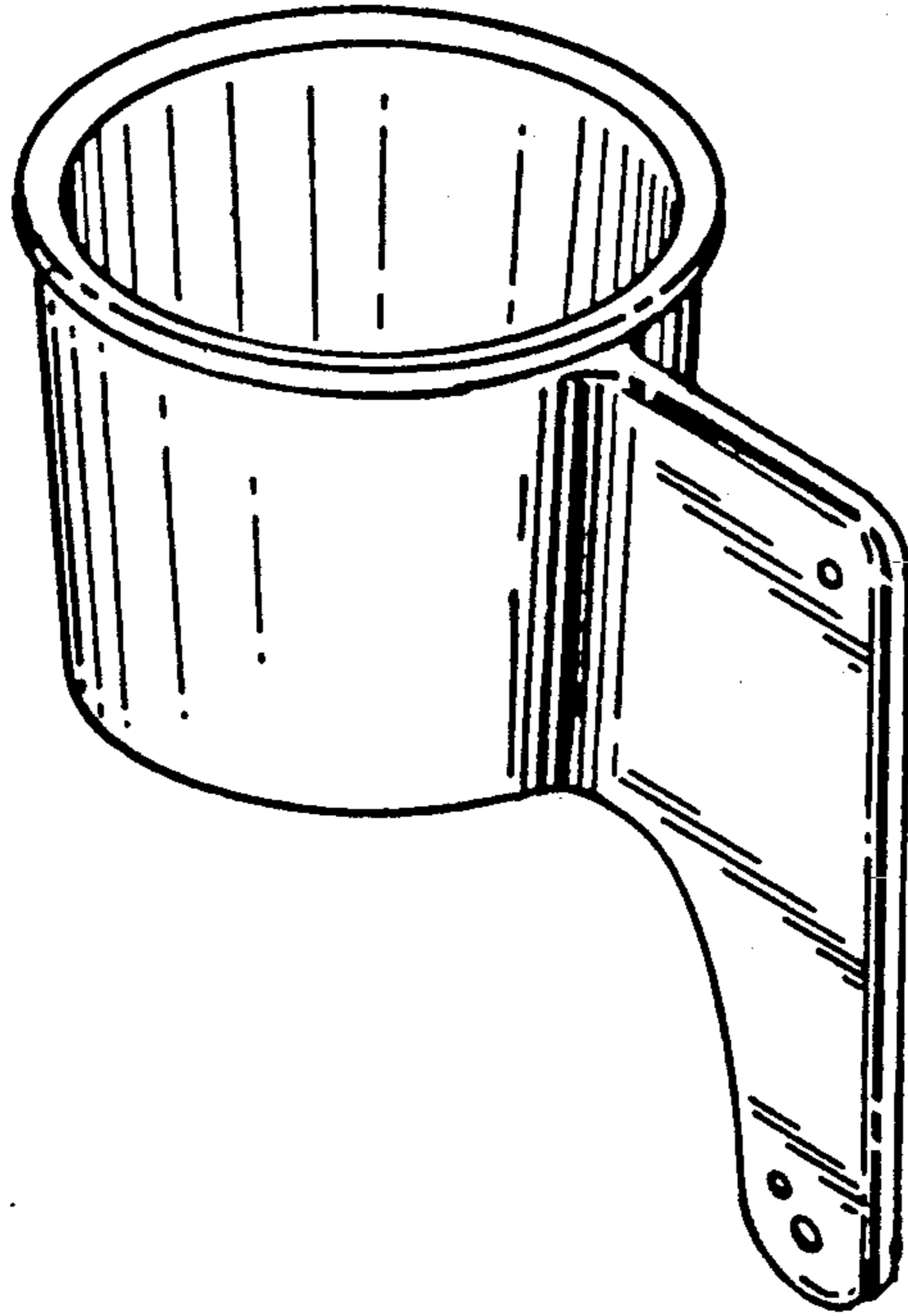
*Fig. 5*



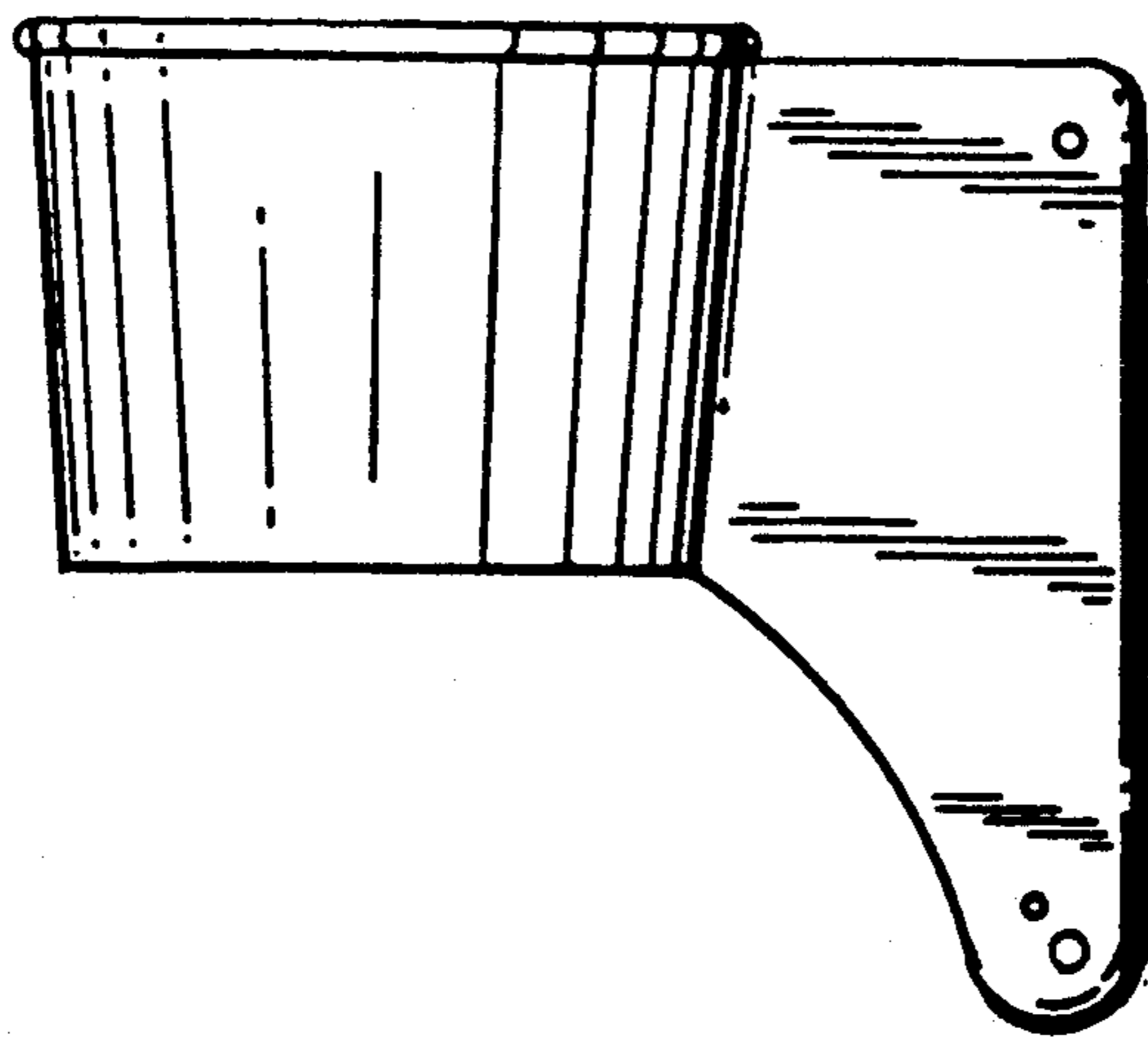
*Fig. 6*



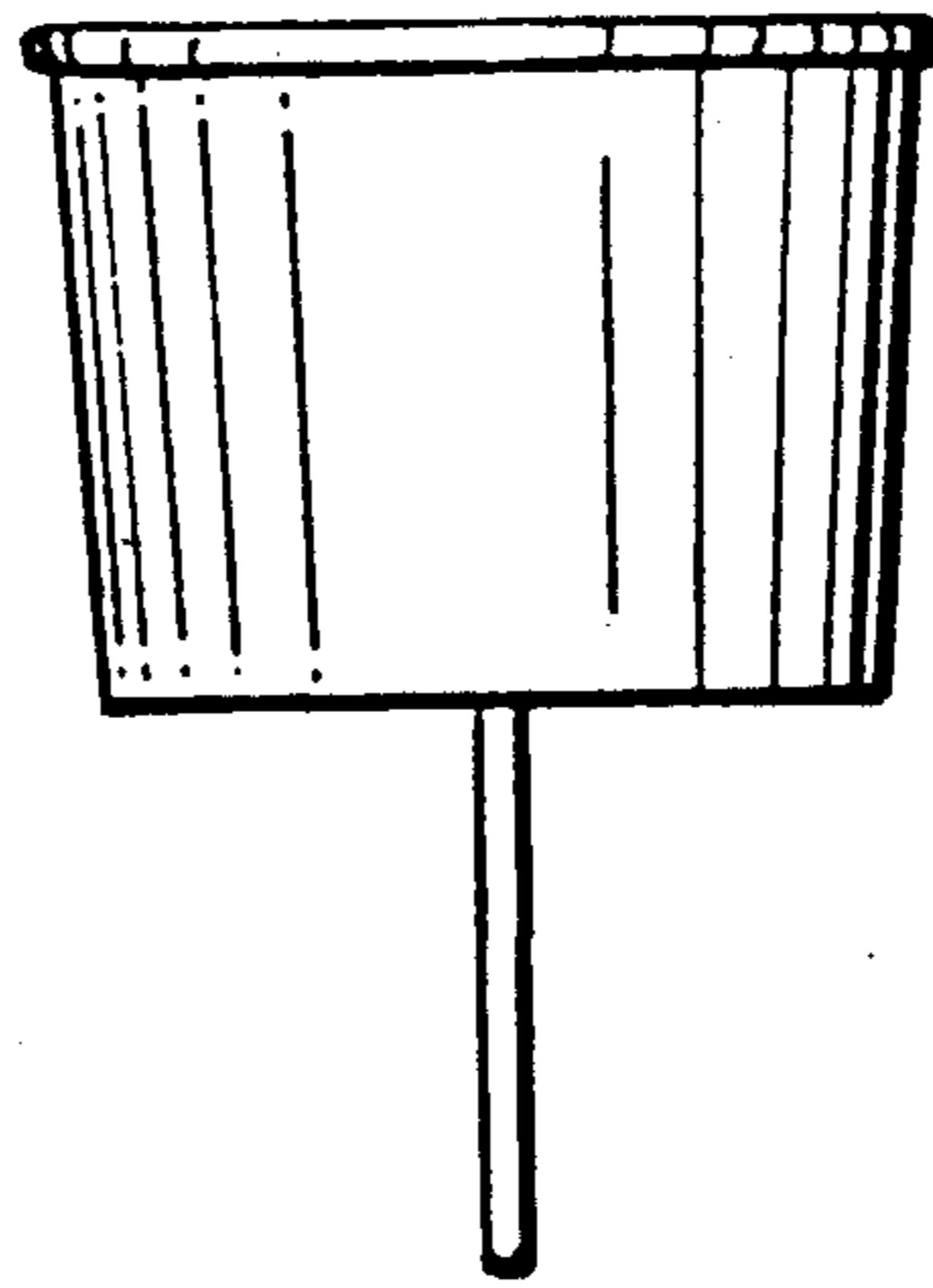
*Fig. 7*



*Fig. 8*

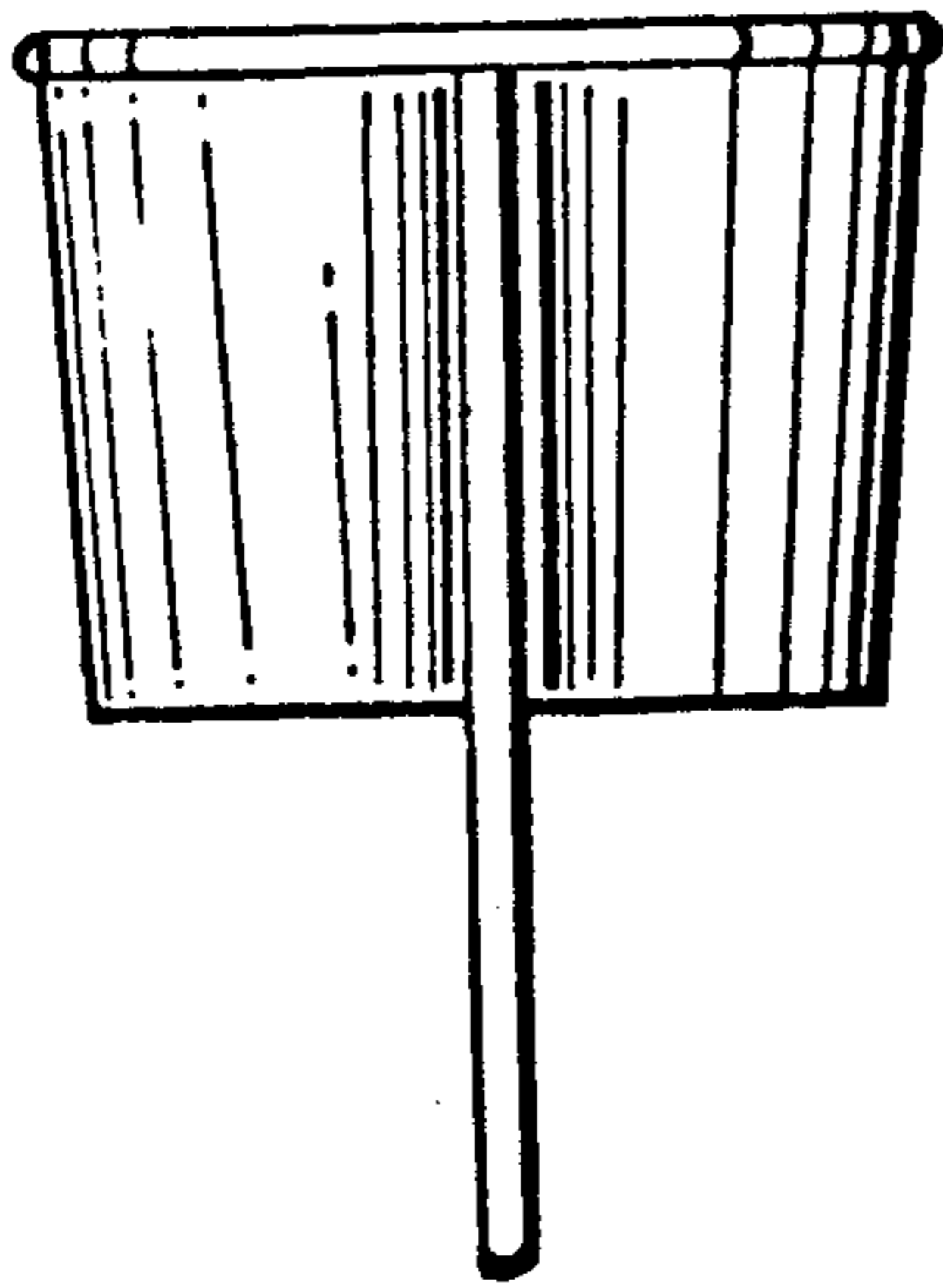


*Fig. 9*

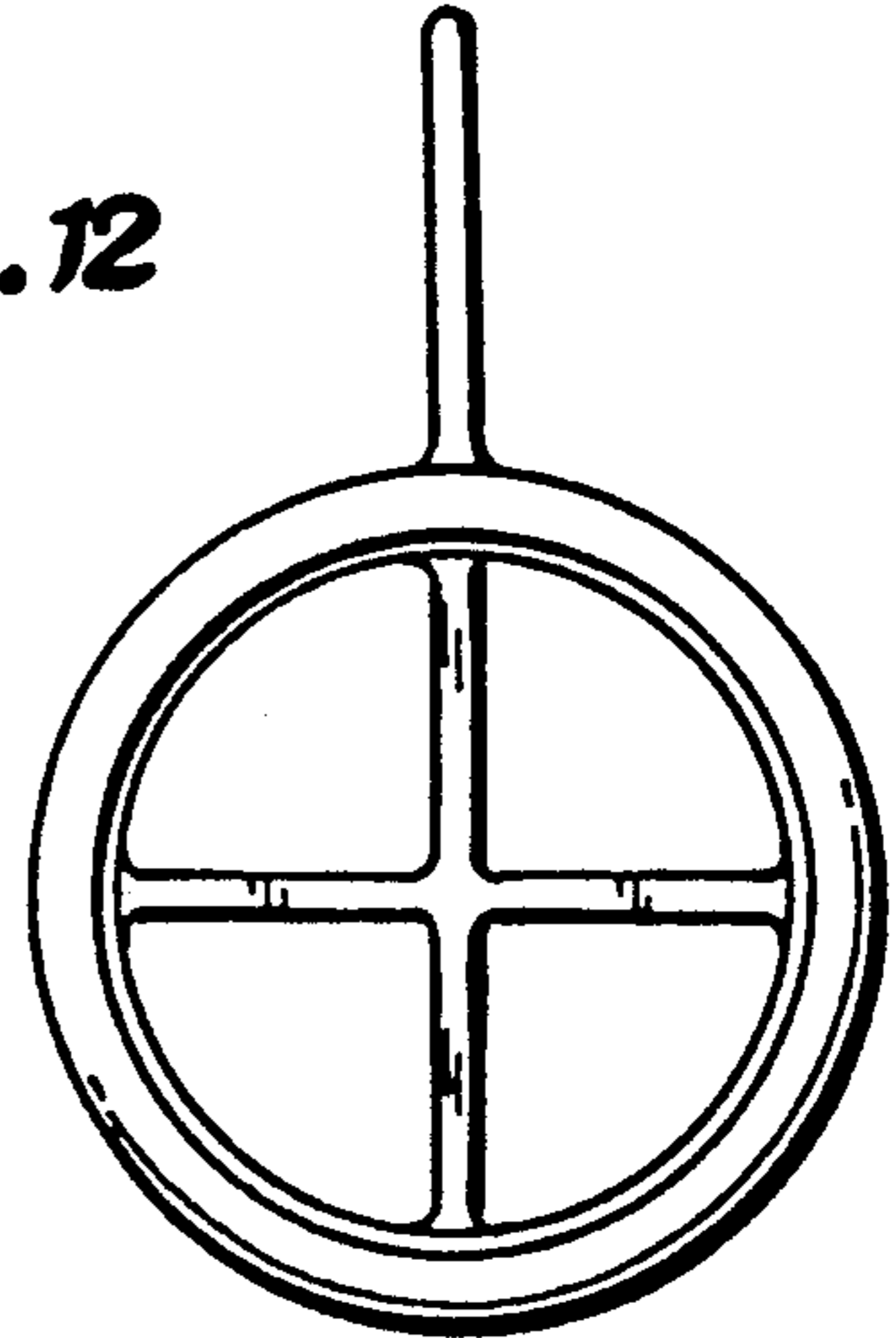


*Fig. 10*

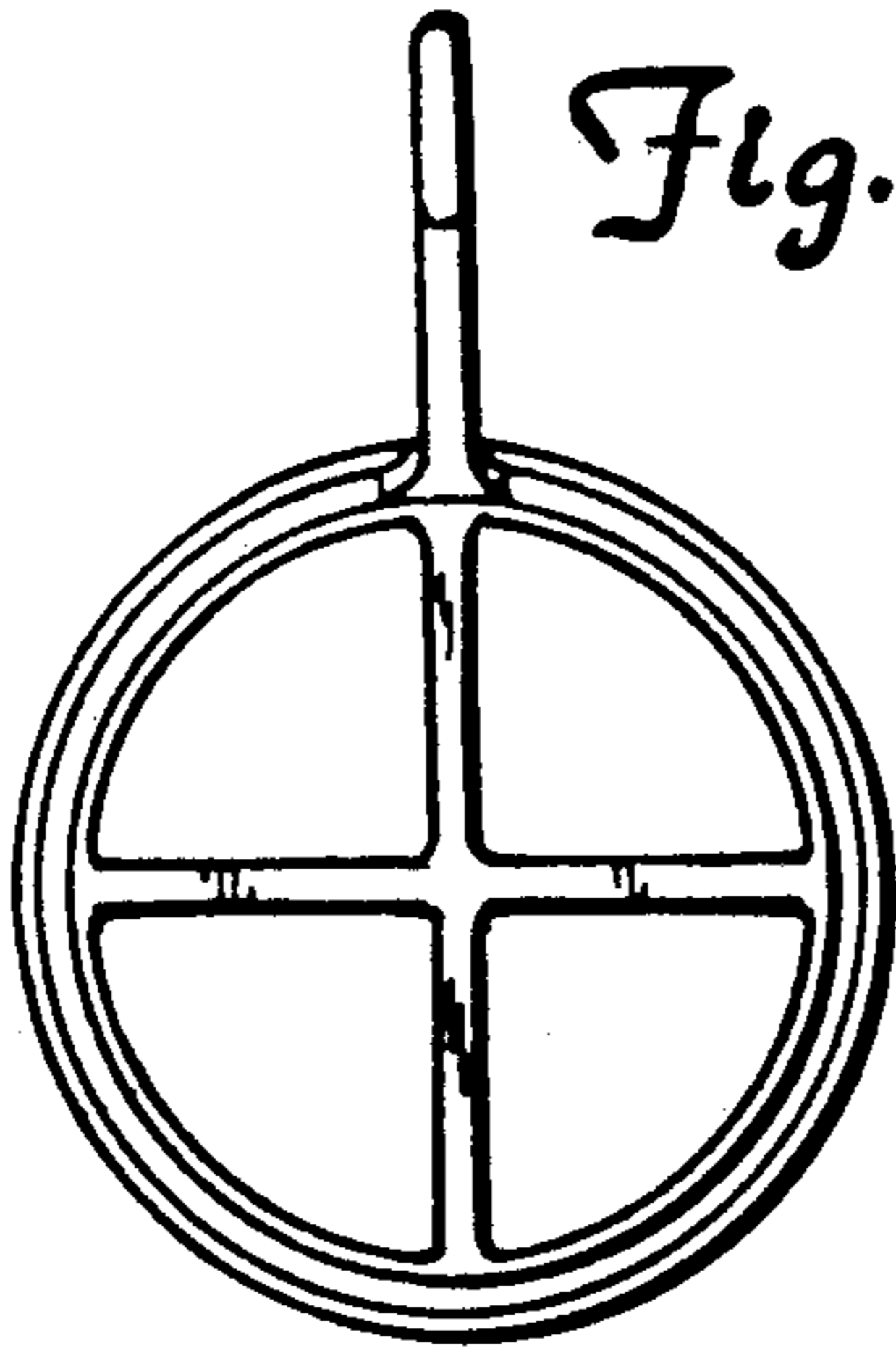
*Fig. 11*



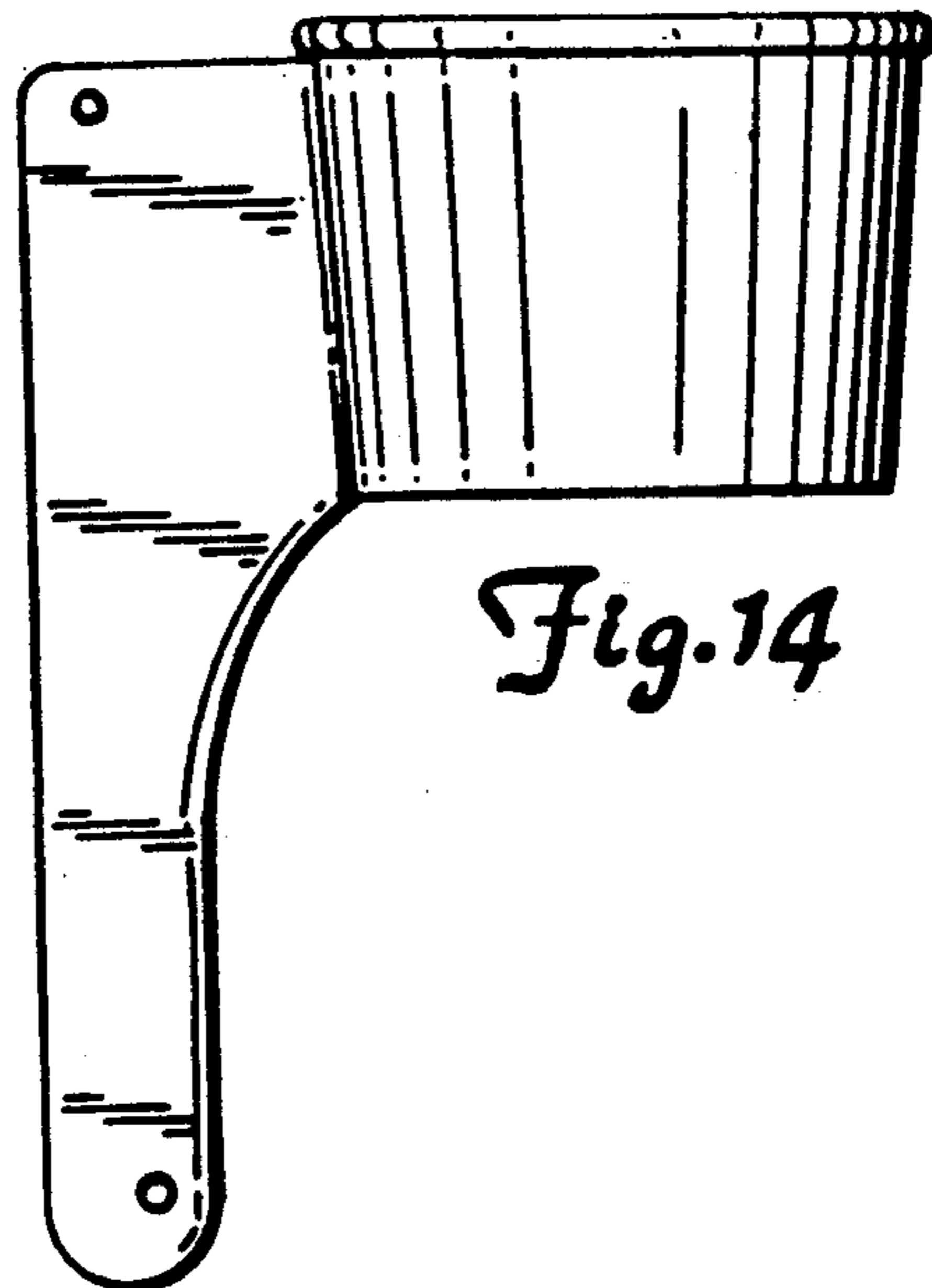
*Fig. 12*

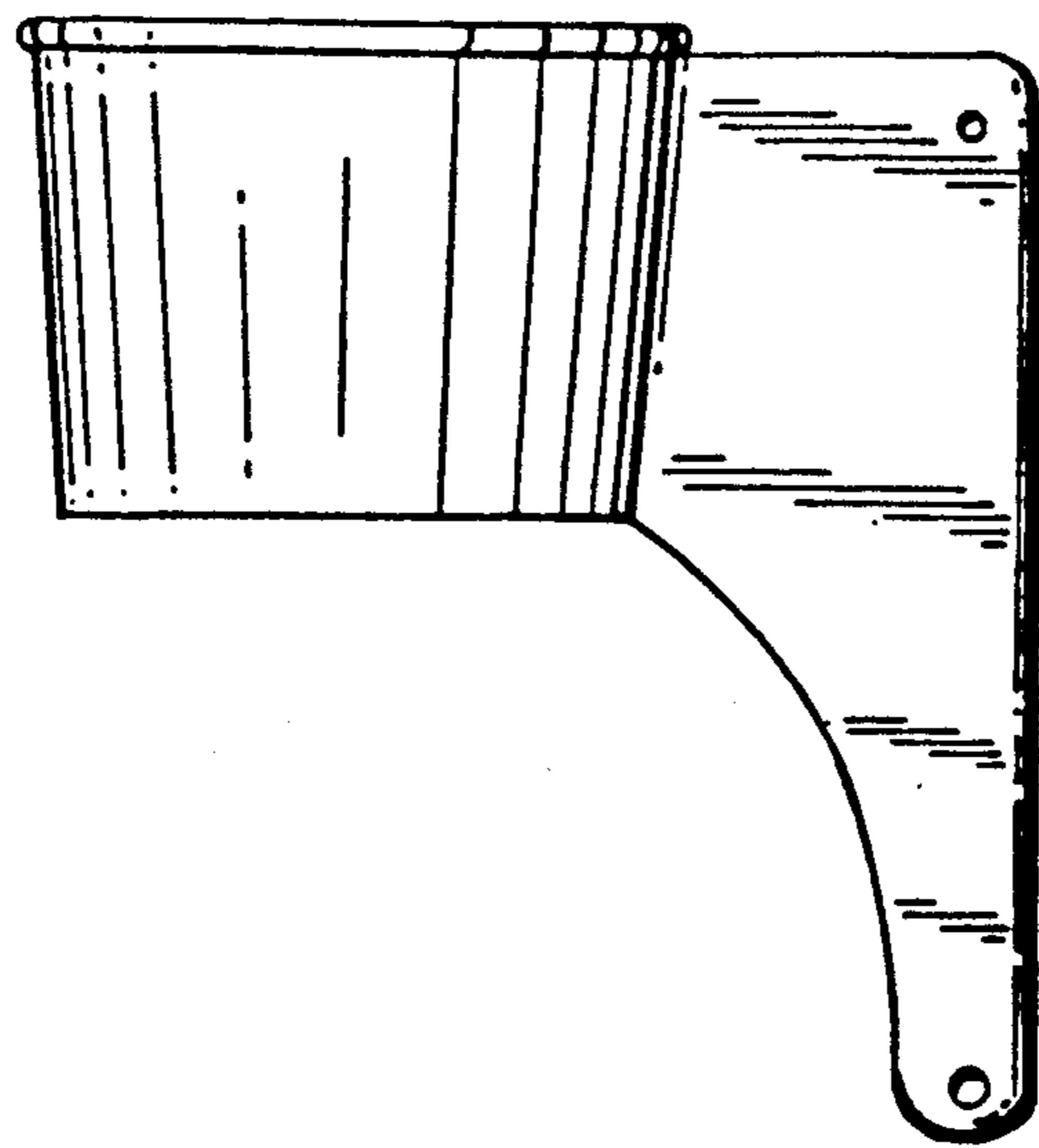


*Fig. 13*

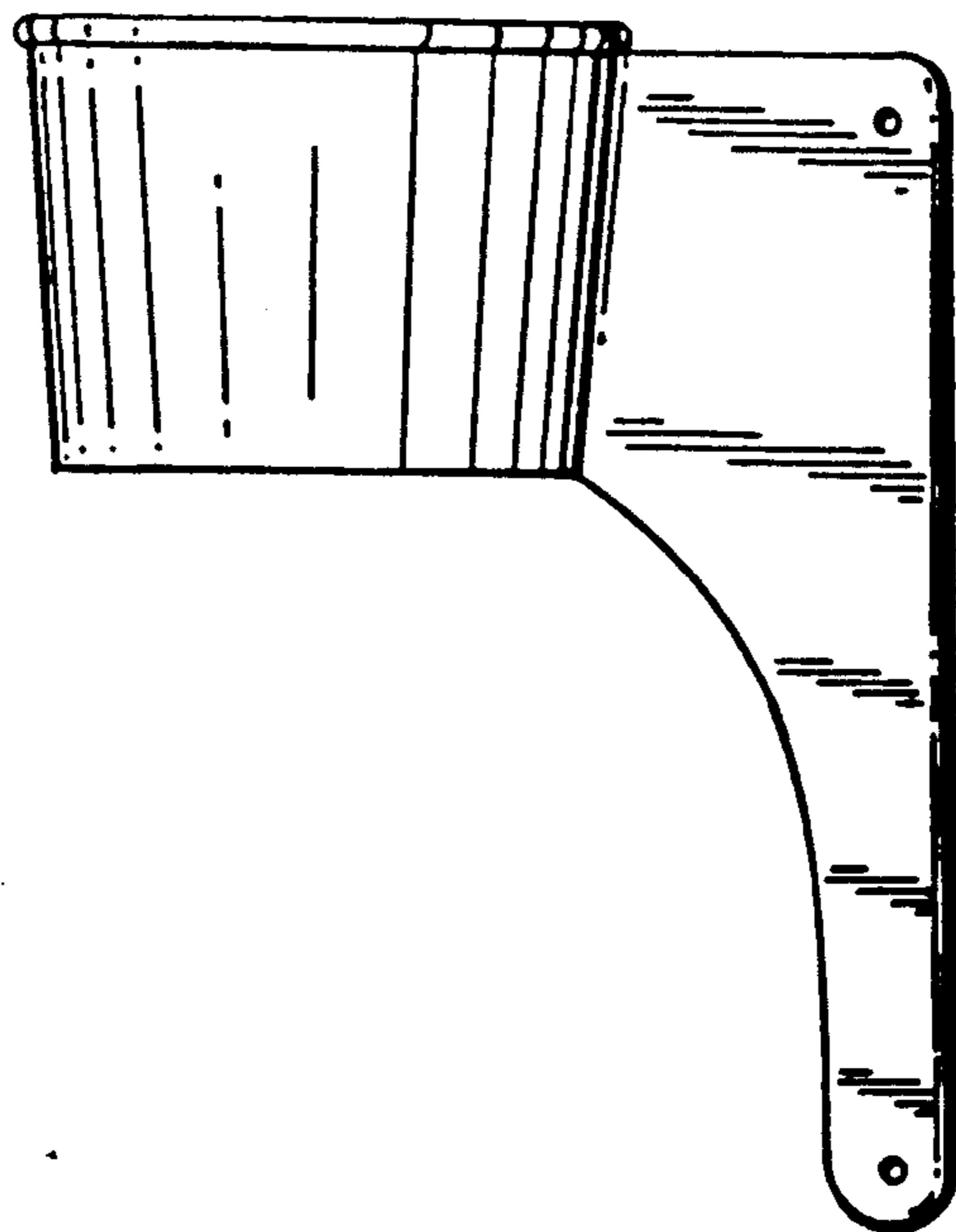


*Fig. 14*





*Fig. 15*



*Fig. 16*