



US00D328218S

United States Patent [19]

Pearce

[11] Patent Number: **Des. 328,218**

[45] Date of Patent: **** Jul. 28, 1992**

[54] BEVERAGE DISPENSING MACHINE

[75] Inventor: **Ross G. Pearce, Double Bay, Australia**

[73] Assignee: **Unilever Australia Limited, Australia**

[**] Term: **14 Years**

[21] Appl. No.: **366,413**

[22] Filed: **Jun. 15, 1989**

[30] Foreign Application Priority Data

Dec. 21, 1988 [AU] Australia 4308/88

[52] U.S. Cl. **D7/309; D7/300**

[58] Field of Search 222/129.1; D7/300, 305, D7/312, 308, 309, 311

[56] References Cited

U.S. PATENT DOCUMENTS

D. 225,592	12/1972	Bardeau	D7/309
D. 236,391	8/1975	Audette	D7/311
D. 269,183	3/1983	Van Asten	D7/309
D. 297,098	8/1988	Ohya et al.	D7/309
3,739,946	6/1973	Scholer	222/2
4,444,336	4/1984	Nielsen	222/129.4

FOREIGN PATENT DOCUMENTS

43074/72 12/1973 Australia .

OTHER PUBLICATIONS

Design 434, Apr. 1984, p. 39, Panel #4 Bottom R., Cafe Bar by Carl Nielsen.

Primary Examiner—Donald P. Walsh

Assistant Examiner—M. N. Pandozzi

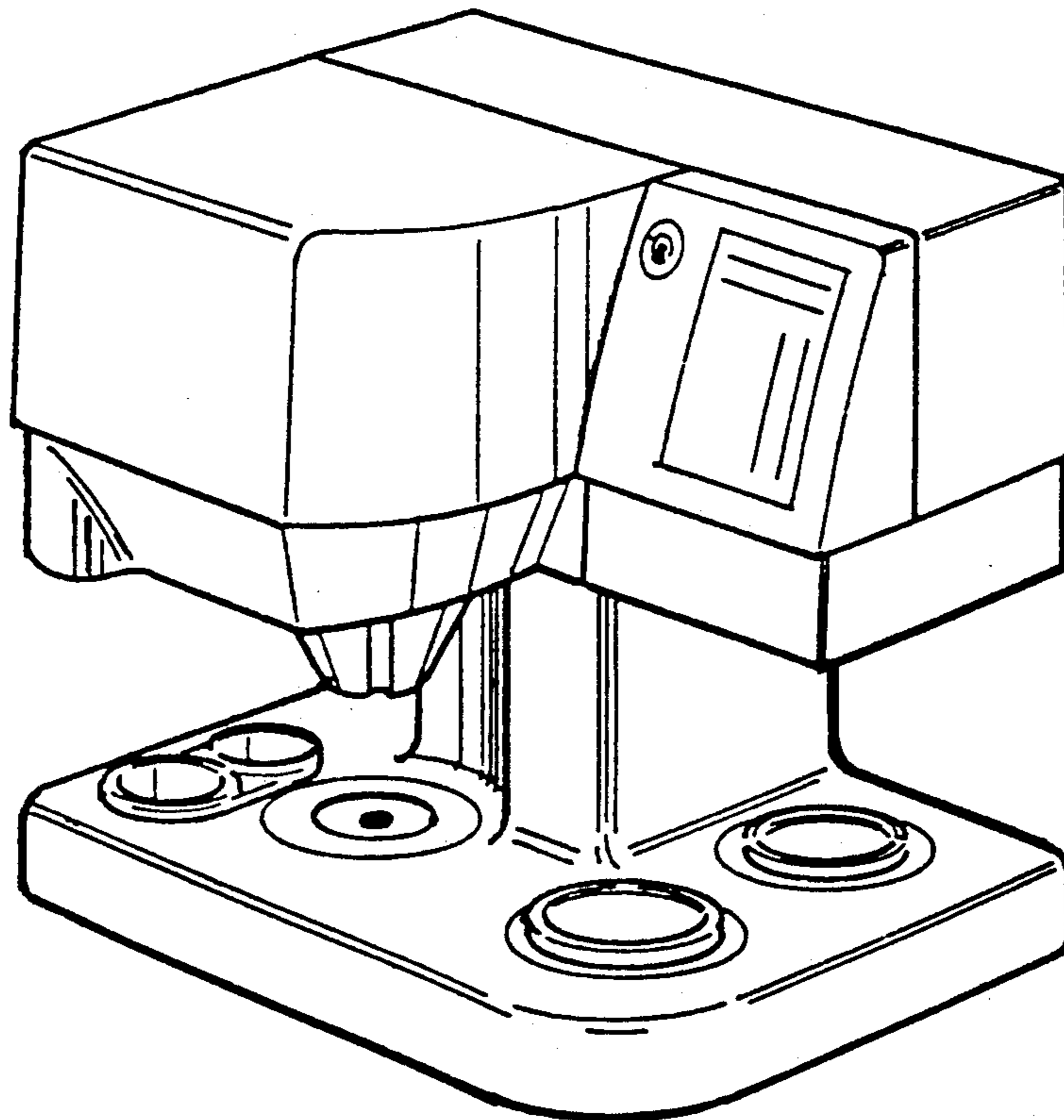
Attorney, Agent, or Firm—Leydig, Voit & Mayer

[57] CLAIM

The ornamental design for a beverage dispensing machine, as shown.

DESCRIPTION

FIG. 1 is a front elevational view of a beverage dispensing machine showing my new design;
 FIG. 2 is a rear elevational view thereof;
 FIG. 3 is a right side elevational view thereof;
 FIG. 4 is a left side elevational view thereof;
 FIG. 5 is a top plan view thereof;
 FIG. 6 is a bottom plan view thereof; and,
 FIG. 7 is a top, front, and right side perspective view thereof.



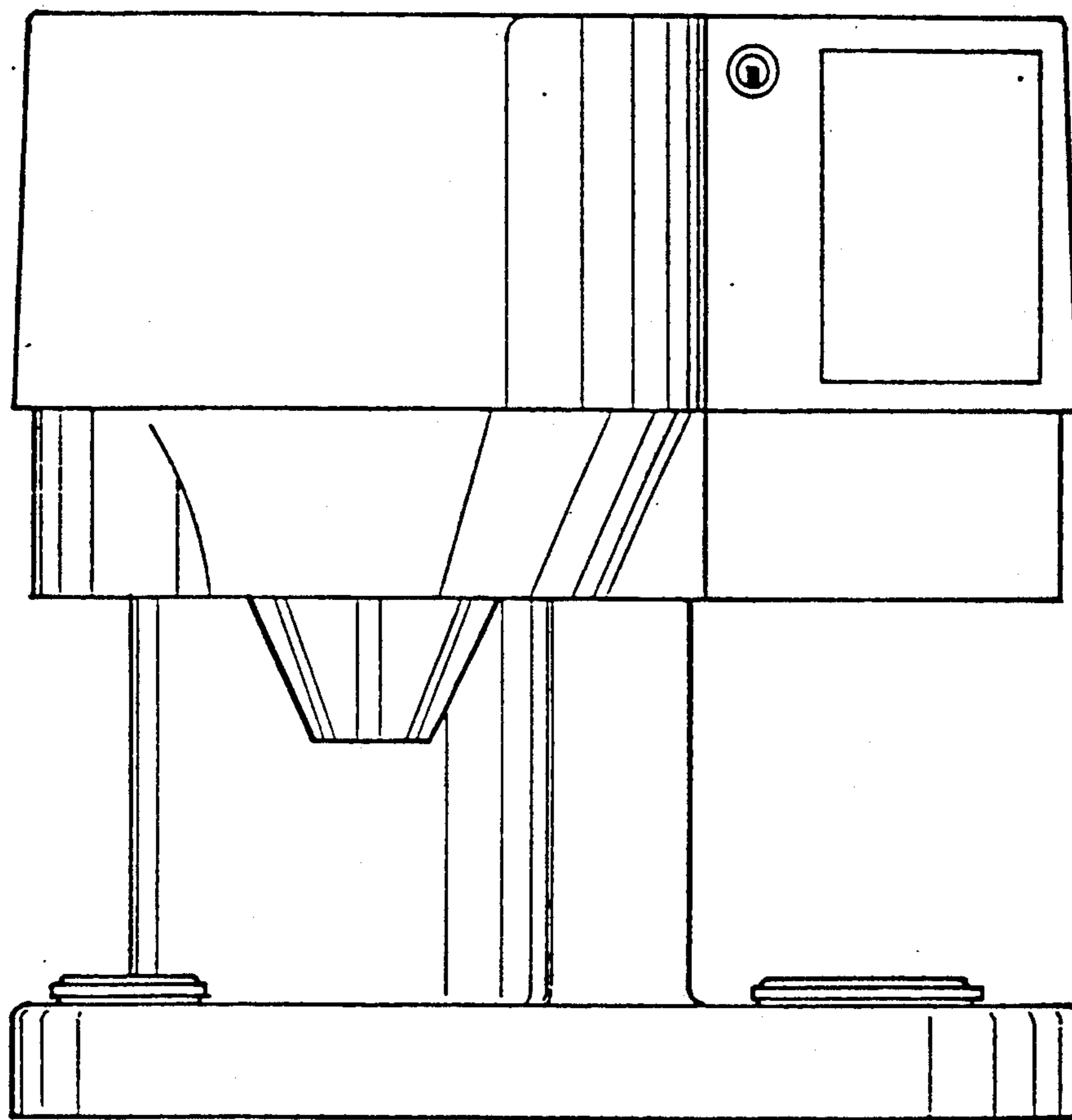


FIGURE 1

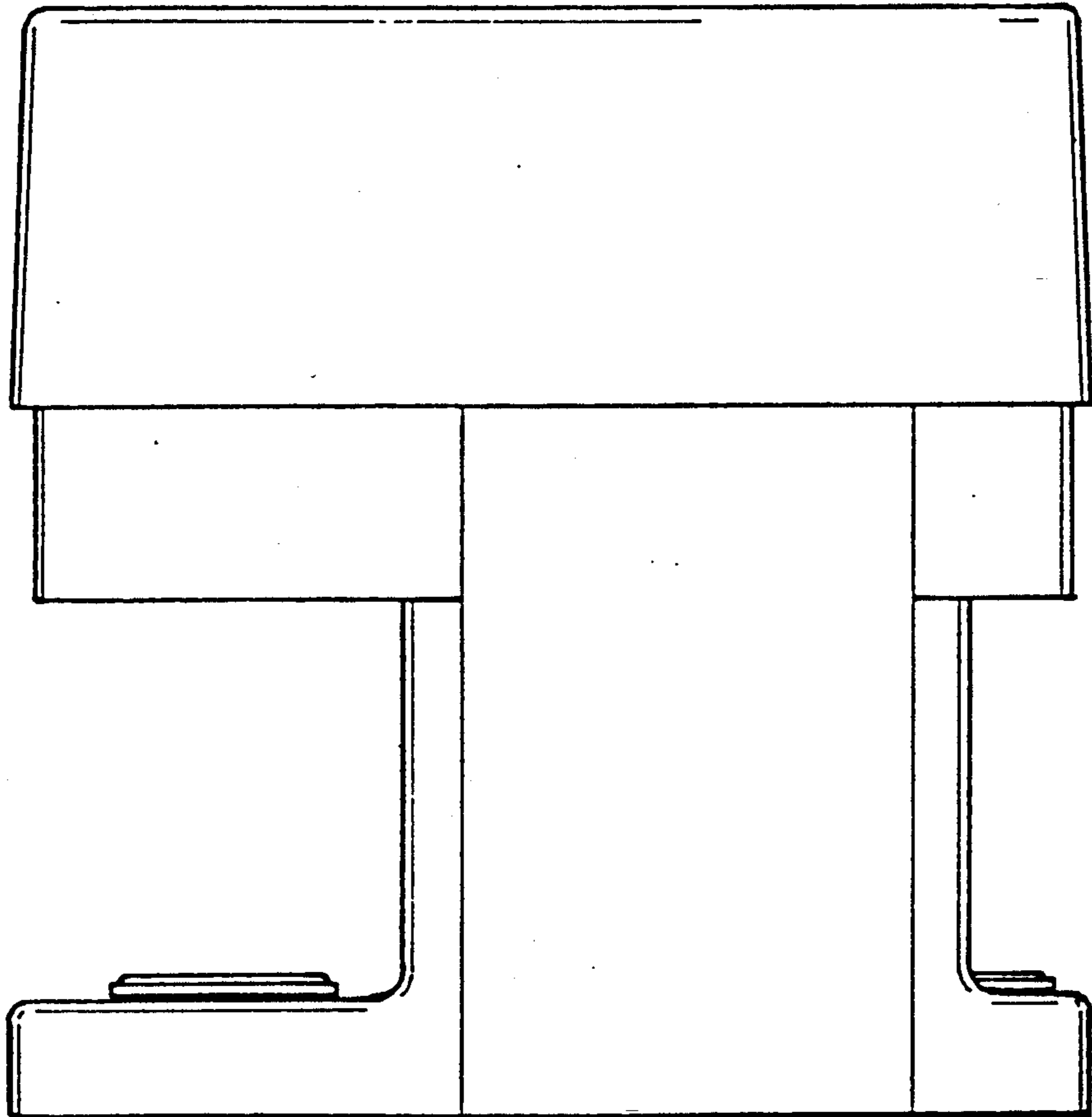


FIGURE 2

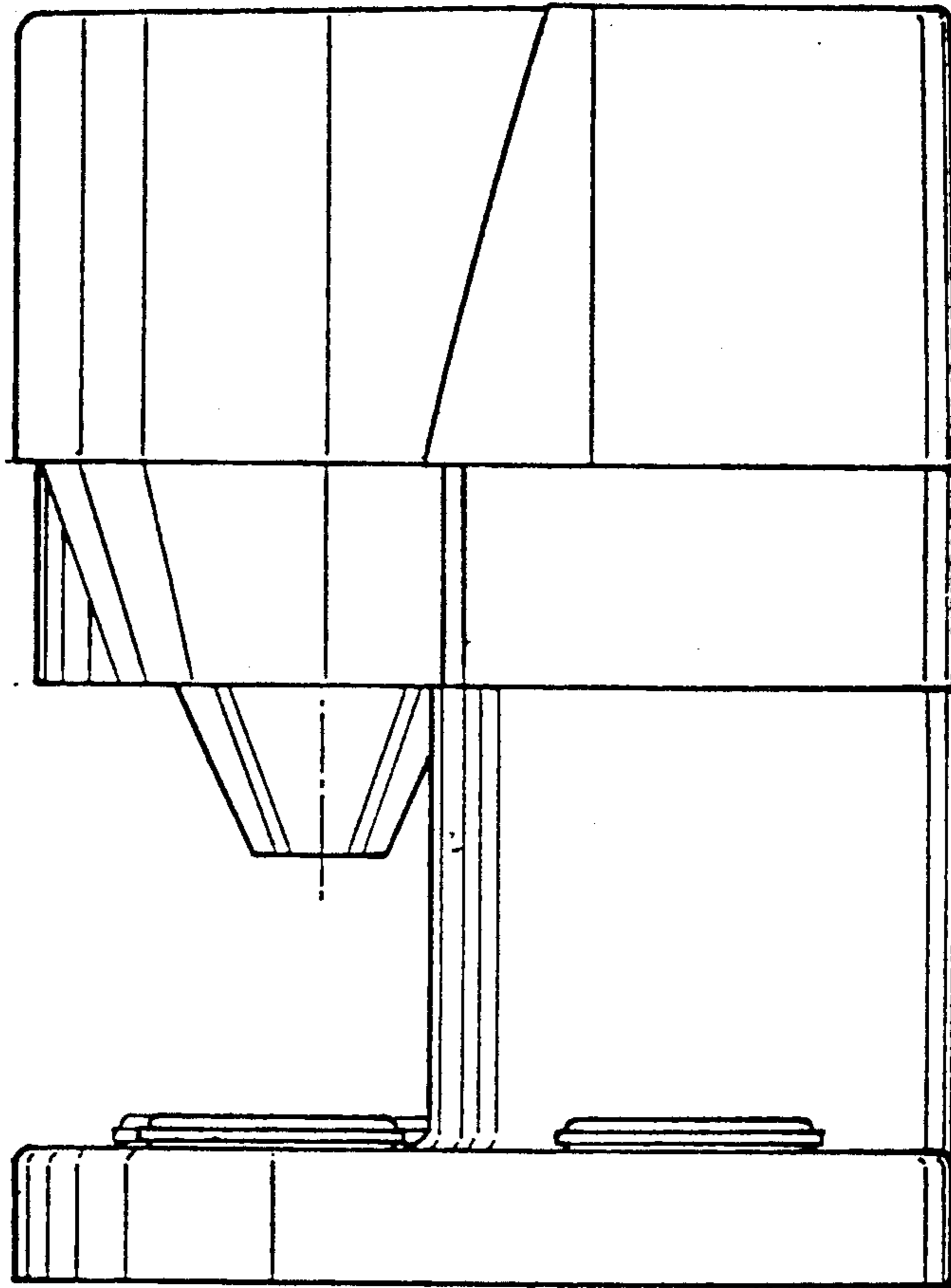


FIGURE 3

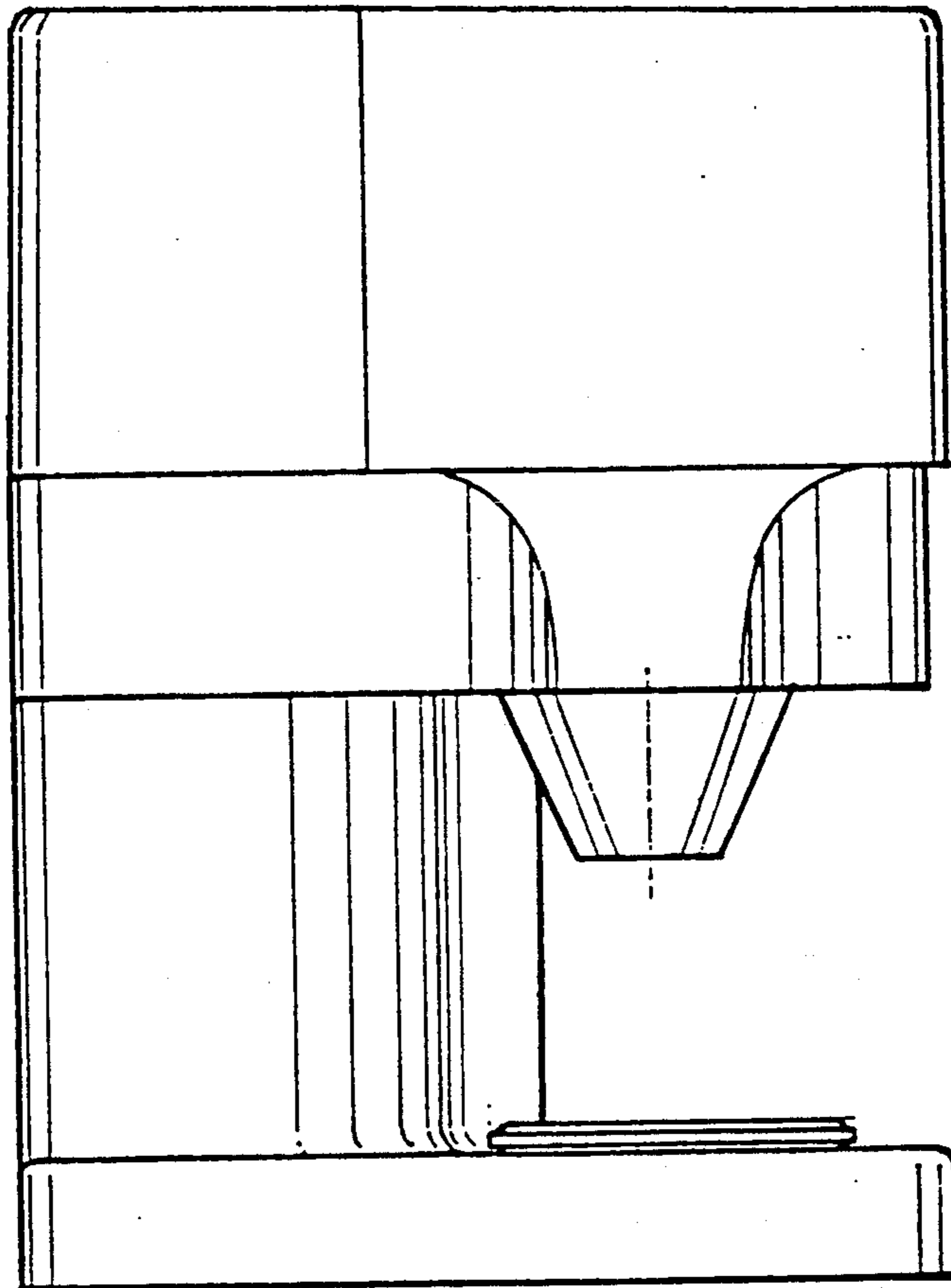


FIGURE 4

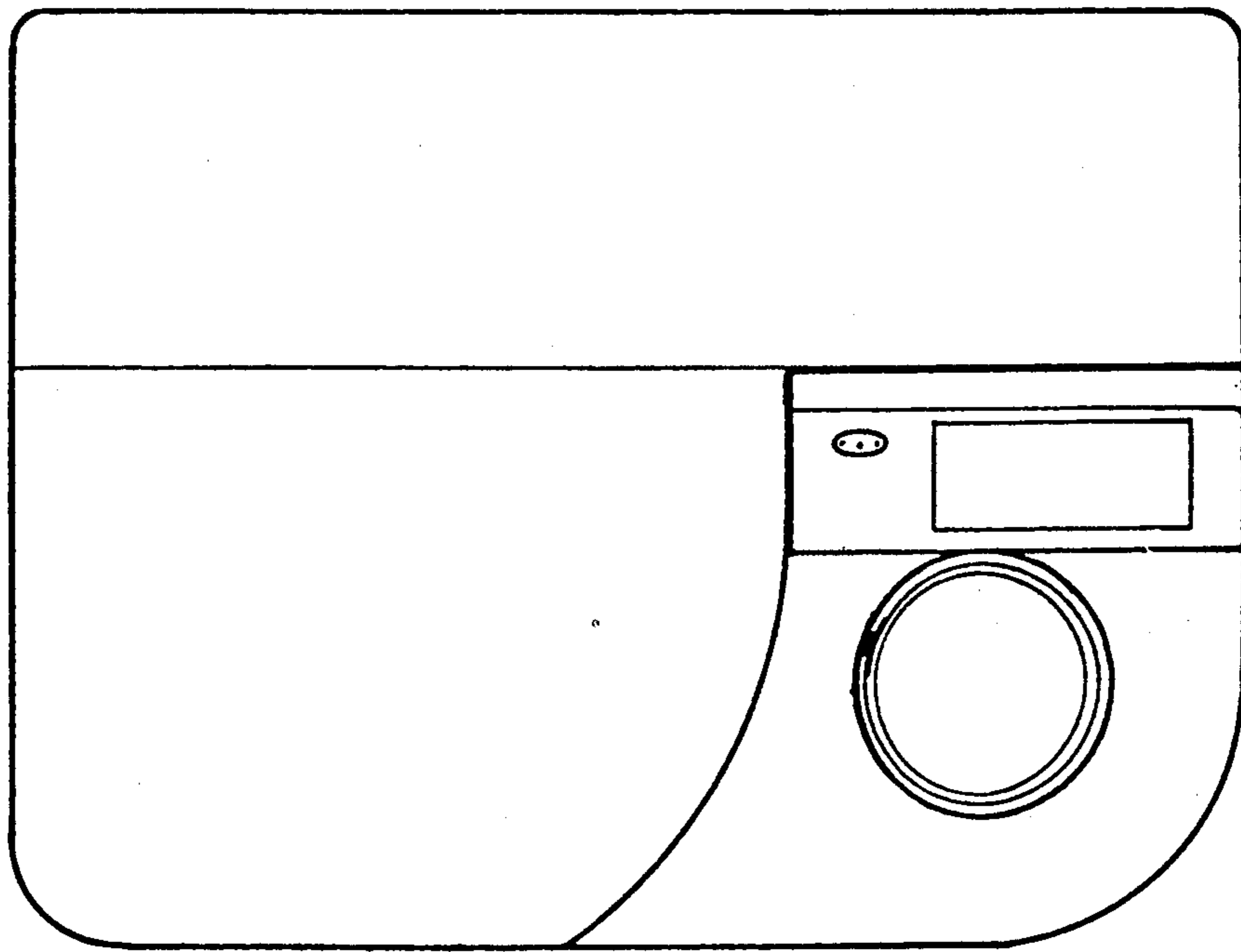


FIGURE 5

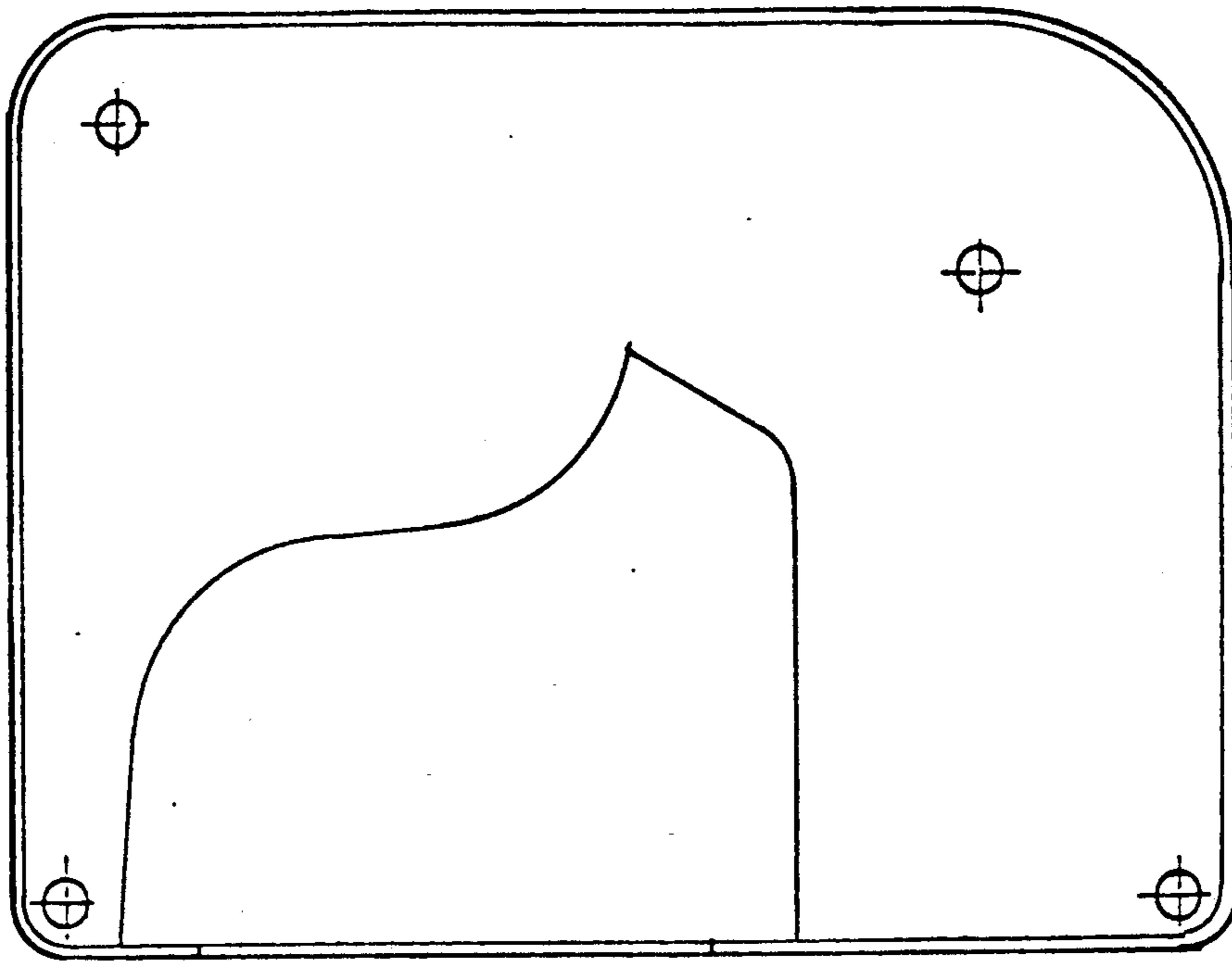


FIGURE 6

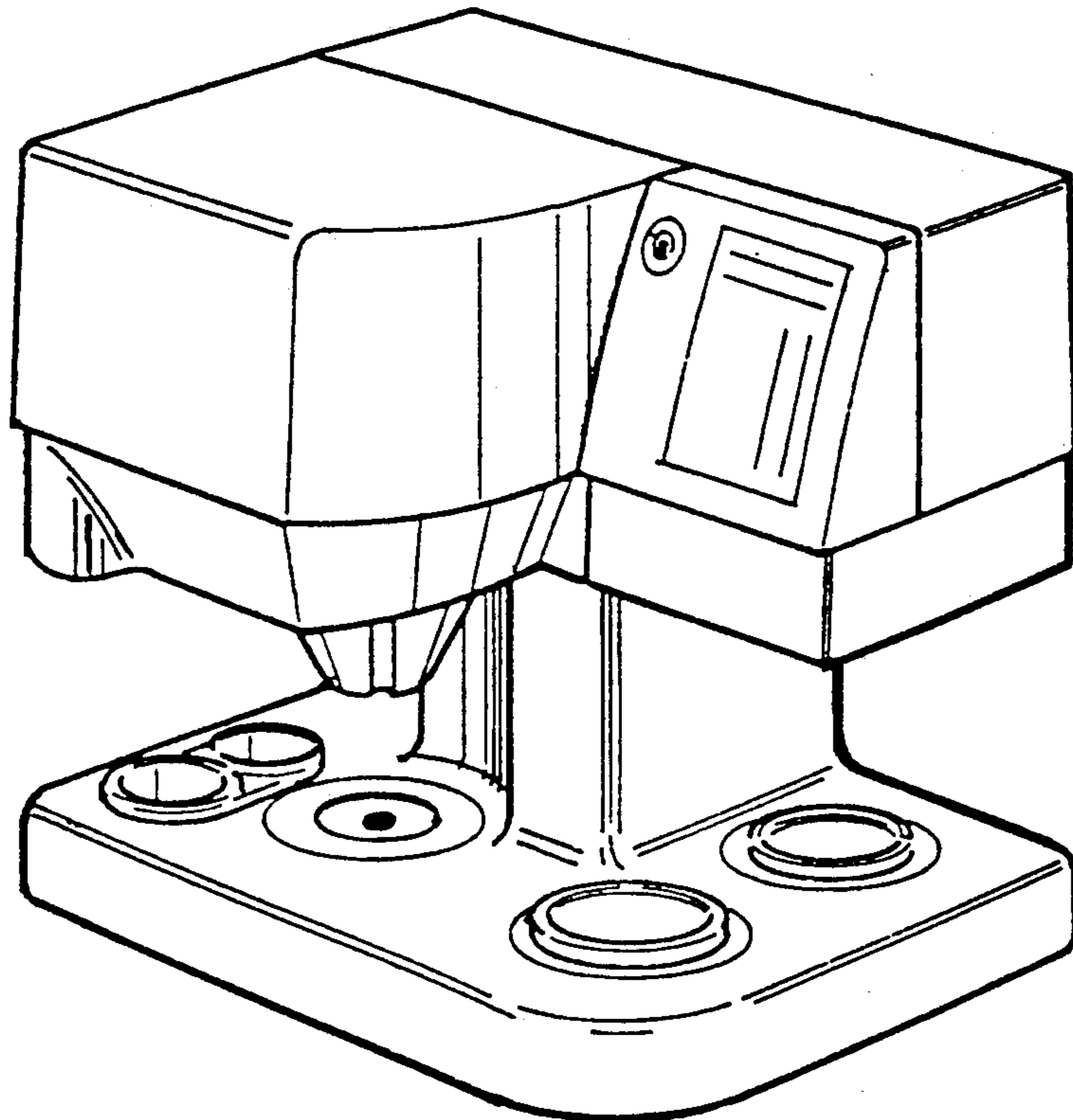


FIGURE 7