



US00D328215S

# United States Patent [19]

McKeone

[11] Patent Number: **Des. 328,215**

[45] Date of Patent: **\*\* Jul. 28, 1992**

[54] **BATHROOM ACCESSORY FIXTURE SUPPORT JOINT**

[75] Inventor: **William C. McKeone, Sheboygan, Wis.**

[73] Assignee: **Kohler Co., Kohler, Wis.**

[\*\*] Term: **14 Years**

[21] Appl. No.: **747,470**

[22] Filed: **Aug. 13, 1991**

### Related U.S. Application Data

[63] Continuation of Ser. No. 332,662, Mar. 30, 1989, abandoned, and a continuation of Ser. No. 332,661, Mar. 30, 1989.

[52] U.S. Cl. .... **D6/524**

[58] Field of Search ..... **D6/524, 527-529, D6/531-532, 534-536, 540; 108/25, 27-28; 211/13, 60.1, 70.6, 70.7, 71, 74-75, 87-88, 126, 134**

### [56] References Cited

#### U.S. PATENT DOCUMENTS

- D. 42,459 5/1912 Farr ..... D6/546
- D. 158,139 4/1950 Simpson ..... D6/531
- D. 235,098 5/1975 Doman ..... D23/252
- D. 262,922 2/1982 Fleischmann et al. .... D6/531
- D. 266,635 10/1982 Fleischmann et al. .... D6/540
- D. 291,638 9/1987 Chap ..... D6/540
- D. 294,094 2/1988 Tegner ..... D6/536 X
- D. 294,906 3/1988 Pool ..... D6/531
- D. 298,710 11/1988 Fayerman et al. .... D6/531
- D. 299,095 12/1988 Gresons et al. .... D6/528 X
- D. 299,096 12/1988 Fayerman et al. .... D6/531
- D. 299,097 12/1988 Fayerman et al. .... D6/540

- D. 299,098 12/1988 Fayerman et al. .... D6/540
- D. 300,998 5/1989 Gresons et al. .... D6/550 X
- D. 303,887 10/1989 Reid ..... D6/549 X

### FOREIGN PATENT DOCUMENTS

1199165 12/1959 France ..... D6/546 X

### OTHER PUBLICATIONS

Page 16 of an undated Kohler Co. advertisement showing the "Antique" line of fittings.

Page 13 of a Kohler Co. catalog showing various wall mountable "IV Georges" fittings, undated.

*Primary Examiner*—Brian N. Vinson  
*Attorney, Agent, or Firm*—Quarles & Brady

### [57] CLAIM

The ornamental design for a bathroom accessory fixture support joint, as shown and described.

### DESCRIPTION

This application is a file wrapper continuation of application Ser. No. 07/332662, filed Mar. 30, 1989, now abandoned, and a continuation of application Ser. No. 07/332661, filed Mar. 30, 1989, pending.

FIG. 1 is a top, front, and left side perspective view of a bathroom accessory fixture support joint showing my new design;

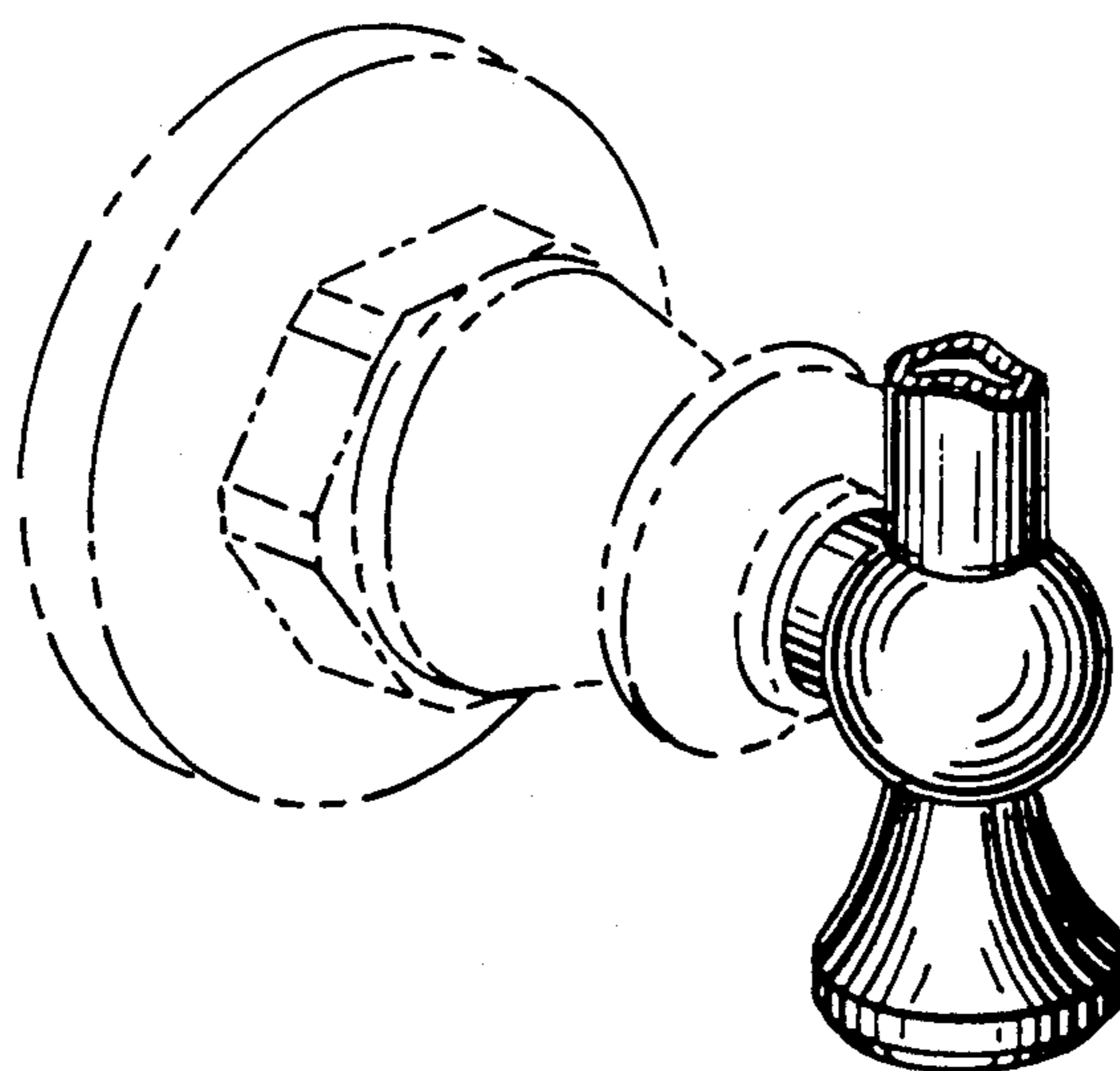
FIG. 2 is a front elevational view thereof;

FIG. 3 is a left side elevational view thereof, the right side being a mirror image of that shown;

FIG. 4 is a top plan view thereof; and,

FIG. 5 is a bottom plan view thereof.

The fragmentary broken-line representations of a support base and escutcheon in the views are for illustrative purposes only and form no part of the claimed design.



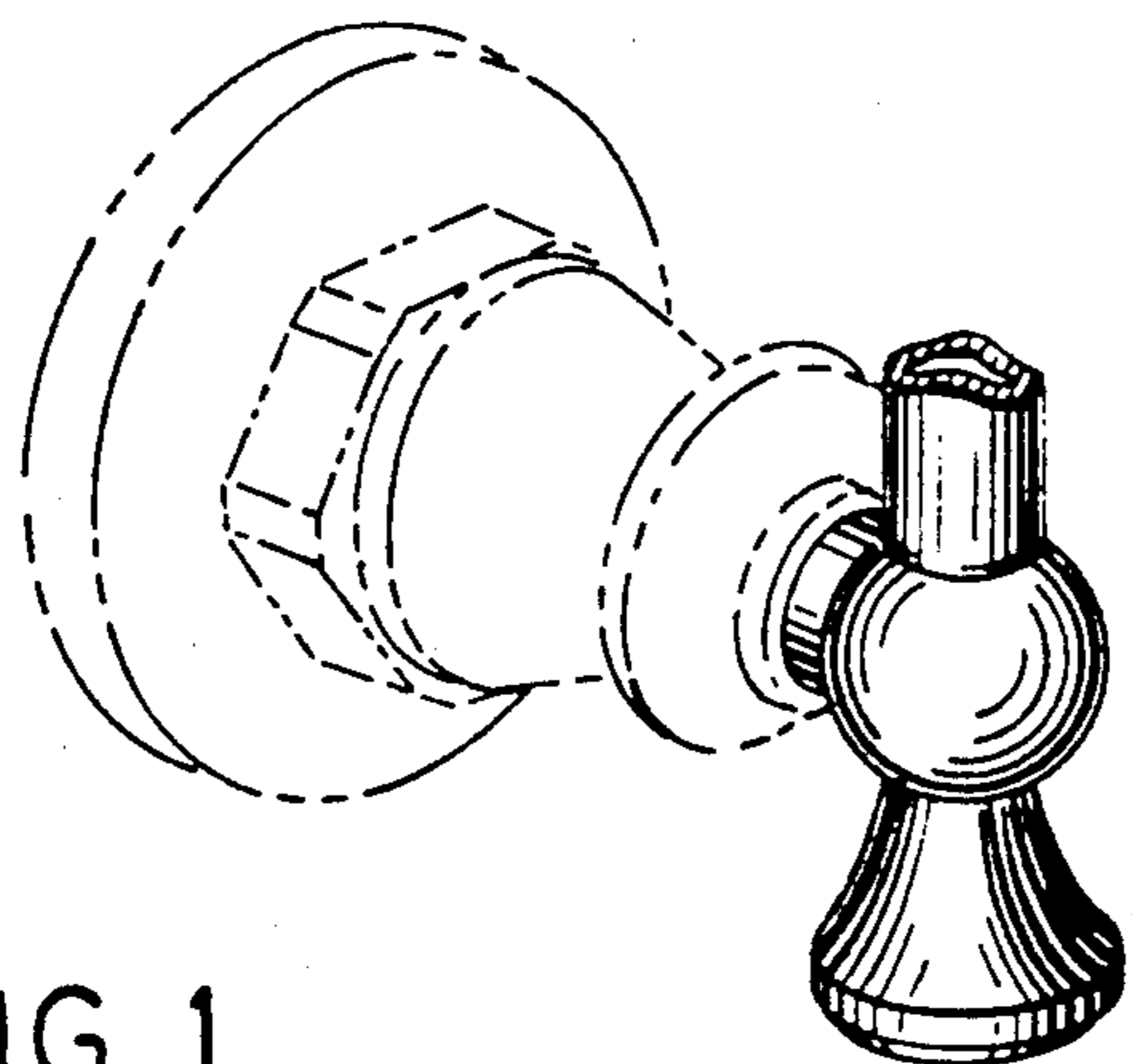


FIG. 1



FIG. 2

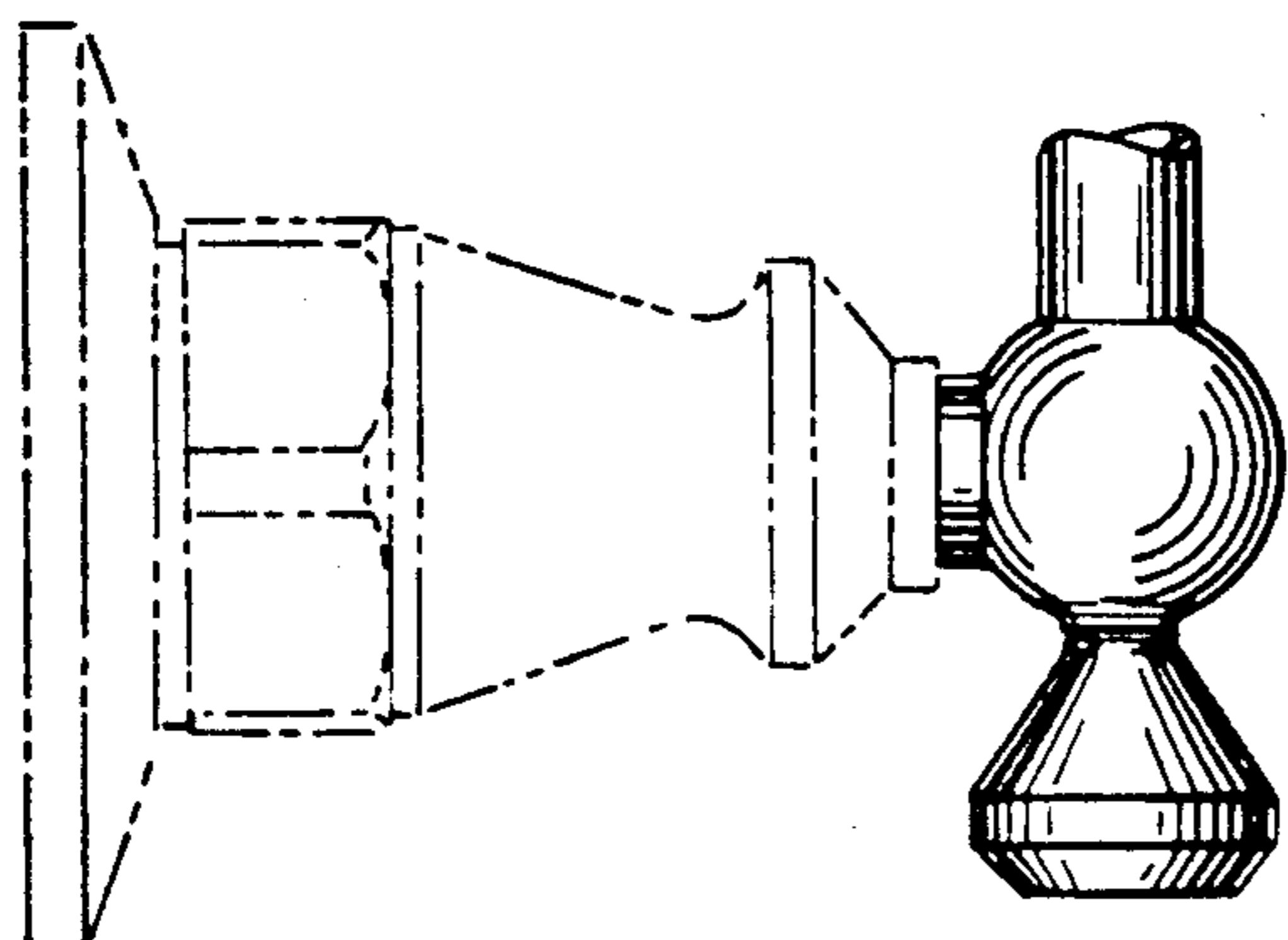


FIG. 3

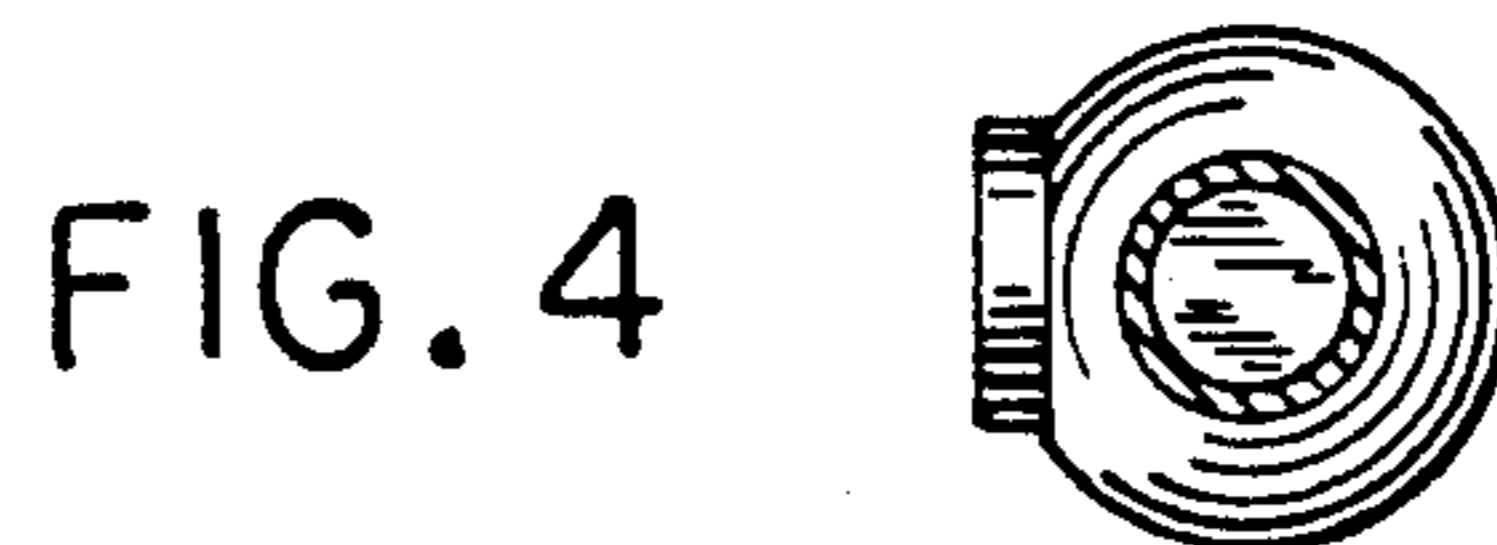


FIG. 4



FIG. 5