



US00D328210S

United States Patent [19]

[11] Patent Number: **Des. 328,210**

Callon

[45] Date of Patent: **** Jul. 28, 1992**

[54] DISPLAY RACK MODULE

[56] References Cited

[75] Inventor: **Floyd R. Callon, Punta Gorda, Fla.**

U.S. PATENT DOCUMENTS

[73] Assignee: **Dyment Limited, Canada**

| | | | | |
|------------|---------|----------------|-------|-----------|
| D. 81,047 | 4/1930 | Block | | D11/130.1 |
| D. 115,287 | 6/1939 | Evans | | D6/511 |
| D. 193,619 | 9/1962 | Boldt | | D8/352 X |
| D. 201,097 | 5/1965 | Russell | | D8/352 |
| D. 250,685 | 1/1979 | Insalaco | | D6/405 |
| D. 270,799 | 10/1983 | Creske | | D6/511 |
| D. 276,043 | 10/1984 | Fitzner et al. | | D6/511 X |
| D. 281,300 | 11/1985 | Glück | | D6/495 |
| D. 298,442 | 11/1988 | Murtagh | | D19/96 |
| D. 315,997 | 4/1991 | Bales et al. | | D6/495 |
| 4,964,520 | 10/1990 | Kilmartin, III | | 211/13 X |

[**] Term: **14 Years**

[21] Appl. No.: **483,416**

[22] Filed: **Feb. 22, 1990**

Primary Examiner—Donald P. Walsh
Assistant Examiner—Jeffrey Asch
Attorney, Agent, or Firm—Ruden, Barnett, McClosky, Smith, Schuster & Russell

Related U.S. Application Data

[63] Continuation-in-part of Ser. No. 167,622, Mar. 10, 1988, Pat. No. Des. 319,938, which is a continuation-in-part of Ser. No. 764,849, Aug. 12, 1985, Pat. No. Des. 295,812.

[57] CLAIM

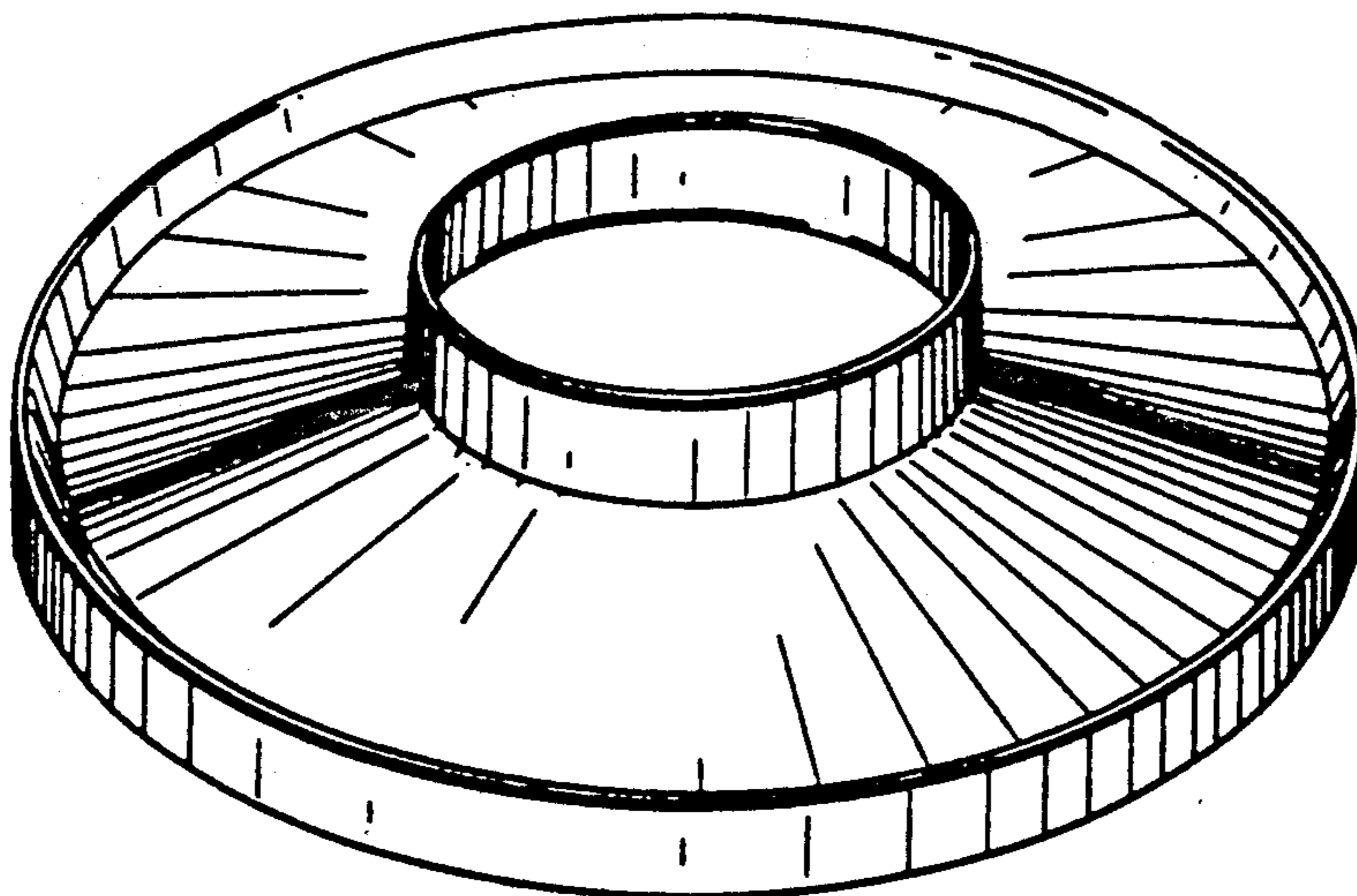
The ornamental design for a display rack module, as shown and described.

[52] U.S. Cl. **D6/511; D6/457; D6/469; D6/495; D8/1; D8/352**

DESCRIPTION

[58] Field of Search **D6/396, 405, 449, 455-461, D6/466, 467, 468, 469, 475, 476, 495, 491, 509-511; D11/130.1; D8/1, 352, 350; D19/96, 97; 211/13, 131, 163, 188, 129, 194**

FIG. 1 is a perspective view of a display rack module showing my new design;
 FIG. 2 is a typical side elevational view thereof;
 FIG. 3 is a top plan view thereof; and,
 FIG. 4 is a bottom plan view thereof.



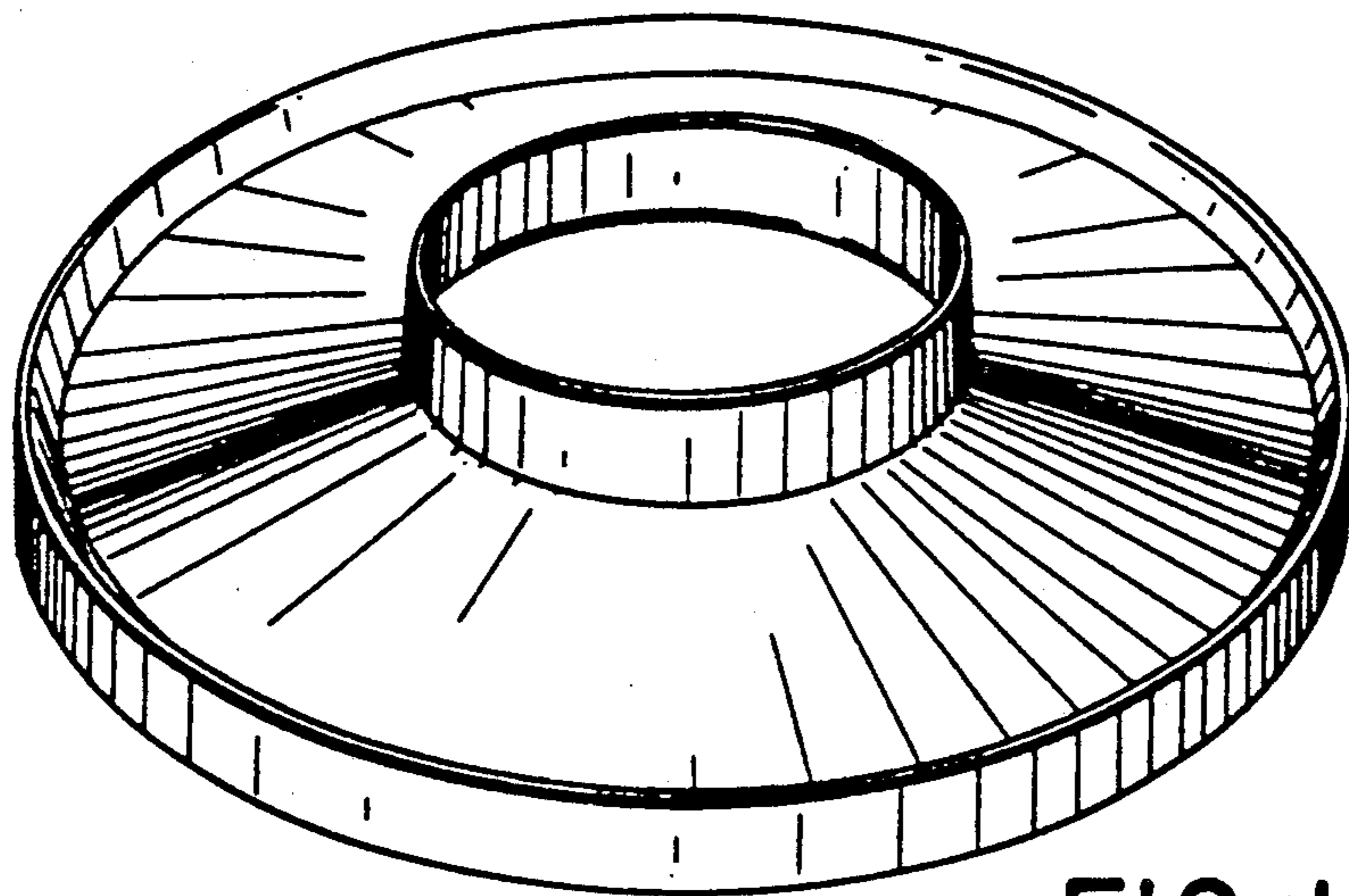


FIG. 1

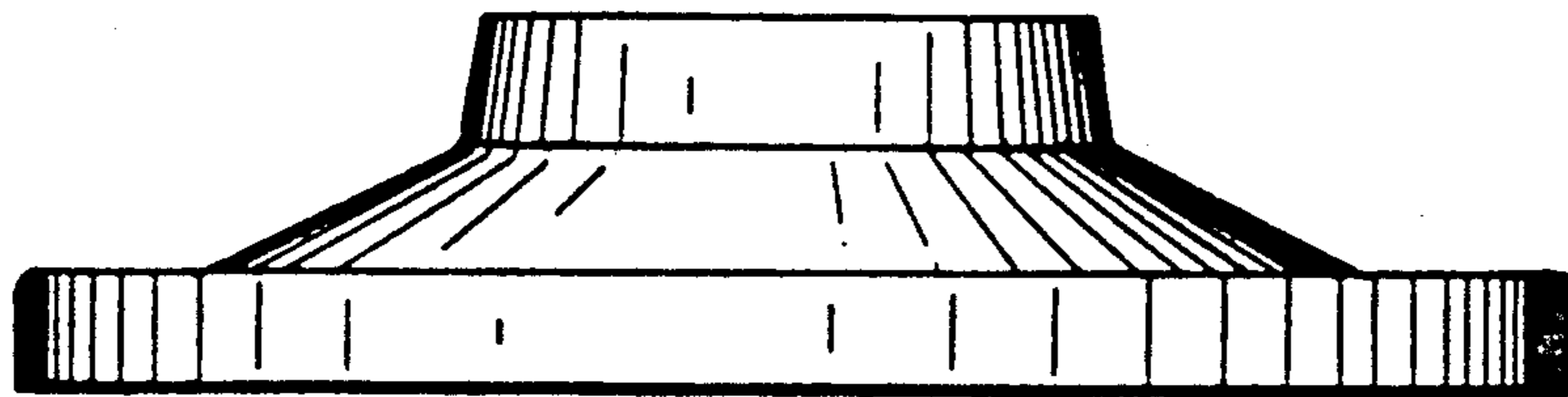


FIG. 2

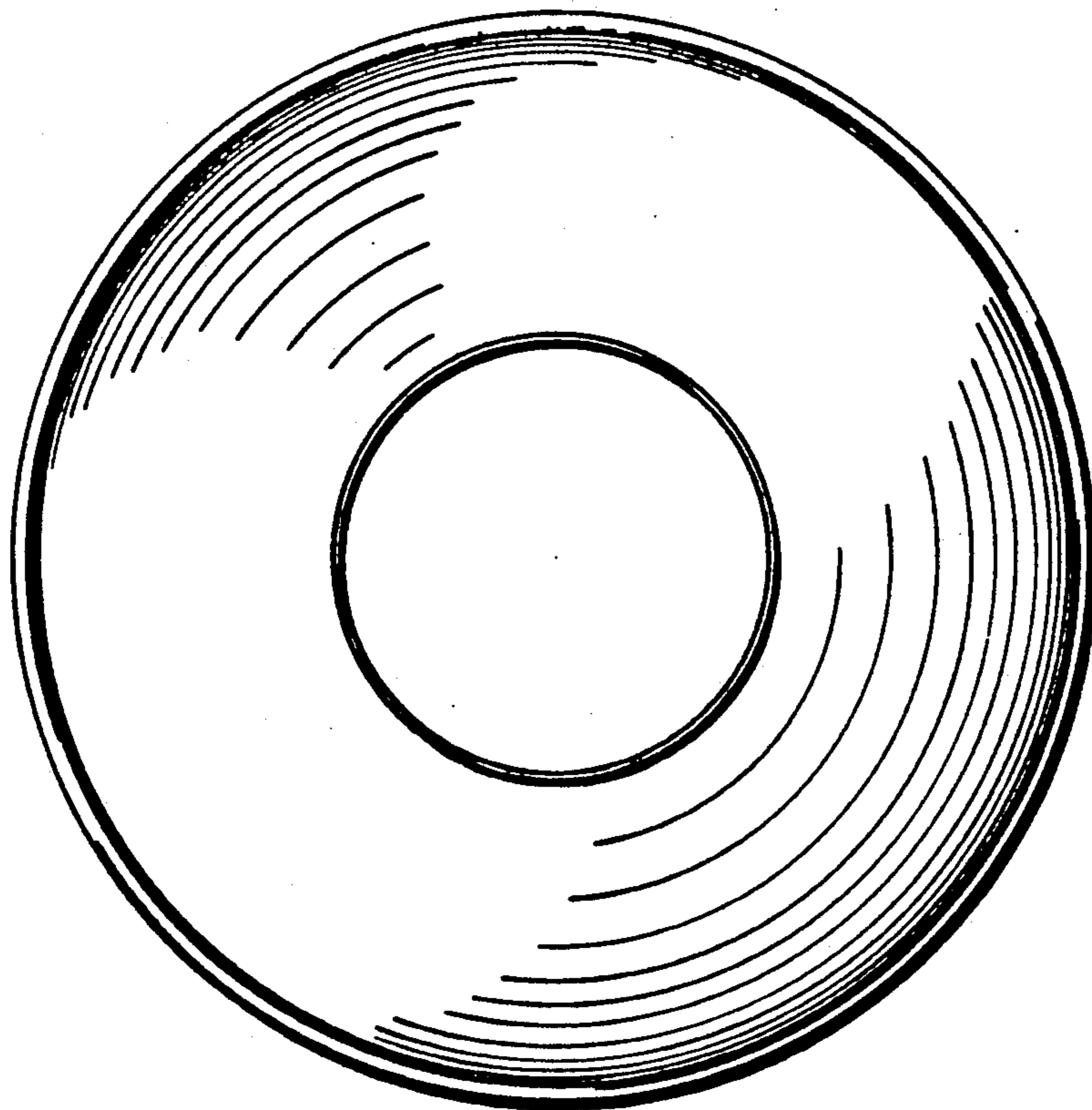


FIG. 3

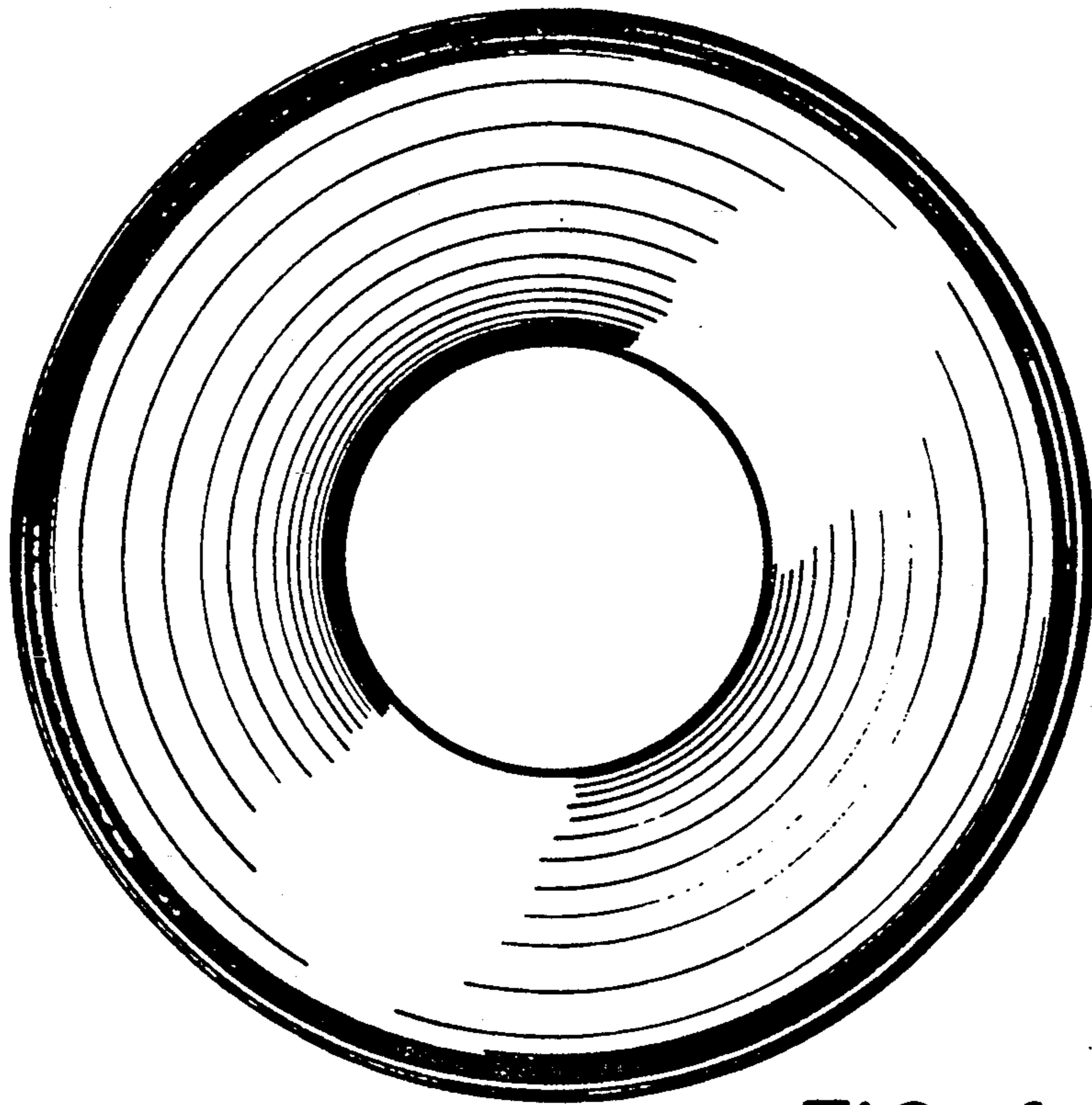


FIG. 4