



US00D328209S

# United States Patent [19]

Knaub et al.

[11] Patent Number: **Des. 328,209**

[45] Date of Patent: **\*\* Jul. 28, 1992**

[54] **DESK TOP CONNECTOR**

[75] Inventors: **David R. Knaub; Jeffery T. McCaffery**, both of Portland, Oreg.

[73] Assignee: **Anthro Corporation**, Portland, Oreg.

[\*\*] Term: **14 Years**

[21] Appl. No.: **471,820**

[22] Filed: **Jan. 29, 1990**

[52] U.S. Cl. .... **D6/511**

[58] Field of Search ..... **D6/480, 484, 482, 485, D6/488, 511, 422, 425, 426, 406; 108/50, 64; 312/194-196, 203**

[56] **References Cited**

**U.S. PATENT DOCUMENTS**

- D. 140,501 3/1945 Fletcher ..... 312/194 X
- D. 320,709 10/1991 Lotsch et al. .... D6/484 X
- 5,083,512 1/1992 Newhouse et al. .... 108/50

**OTHER PUBLICATIONS**

*Domus*—Sep. '89, Table Corner.

*Domus*—Dec. '87, p. 131a, top panel.  
*Industrial Design*, Nov. 1972, p. 48.  
*L'Architecture D'Aujoudhui*, Sep. 1982 p. XXVIII.

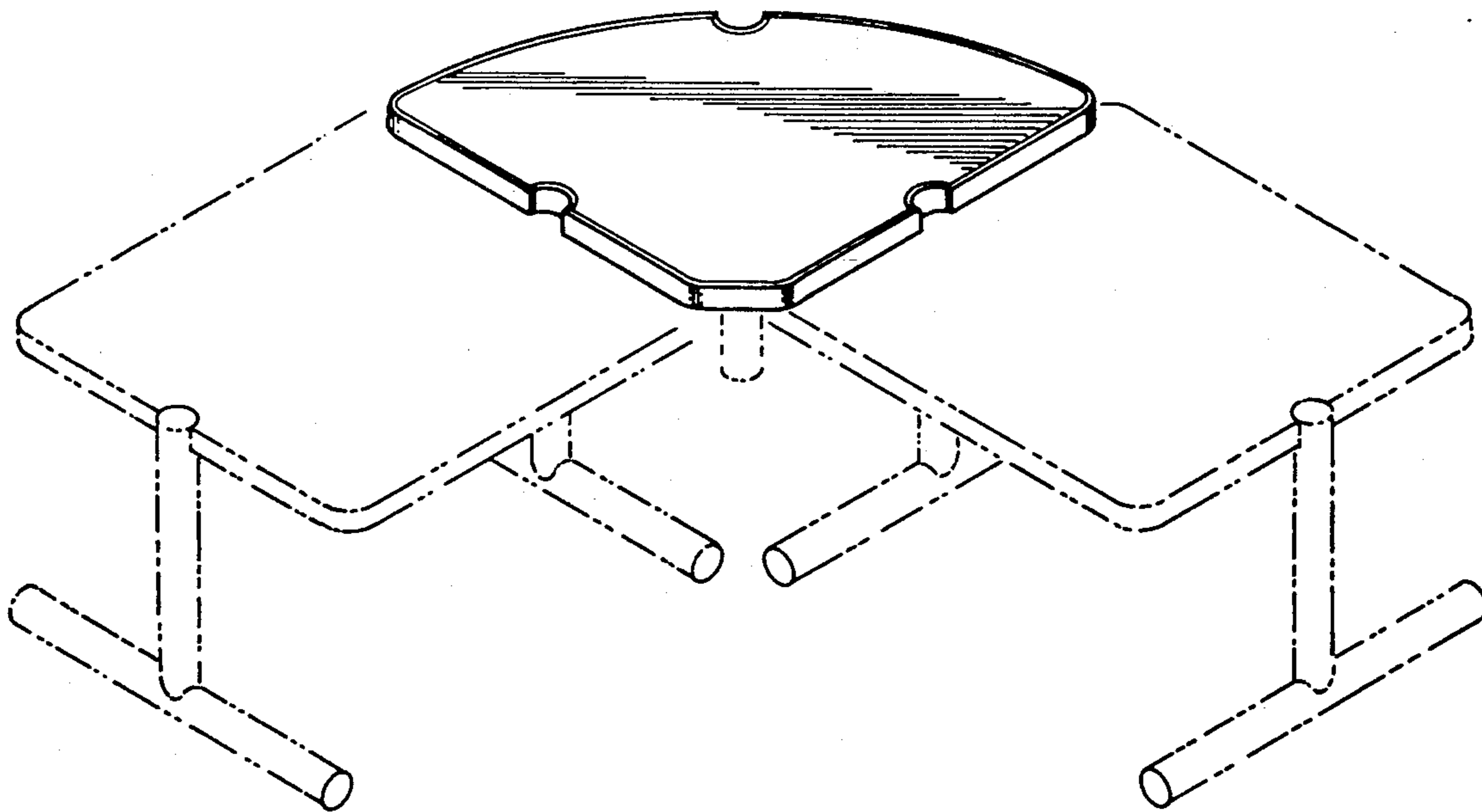
*Primary Examiner*—Carmen H. Vales-Lado  
*Assistant Examiner*—Janice Seeger  
*Attorney, Agent, or Firm*—Stoel Rives Boley Jones & Grey

[57] **CLAIM**

The ornamental design for a desk top connector, as shown and described.

**DESCRIPTION**

FIG. 1 is a perspective view of a desk top connector, showing our new design, the broken lines are for illustrative purposes only;  
FIG. 2 is a top plan view;  
FIG. 3 is a side elevational view, taken from the left of FIG. 2; and,  
FIG. 4 is a side elevational view, taken from the bottom of FIG. 2 thereof.  
FIGS. 2-4 have been drawn on an enlarged scale with respect to FIG. 1.



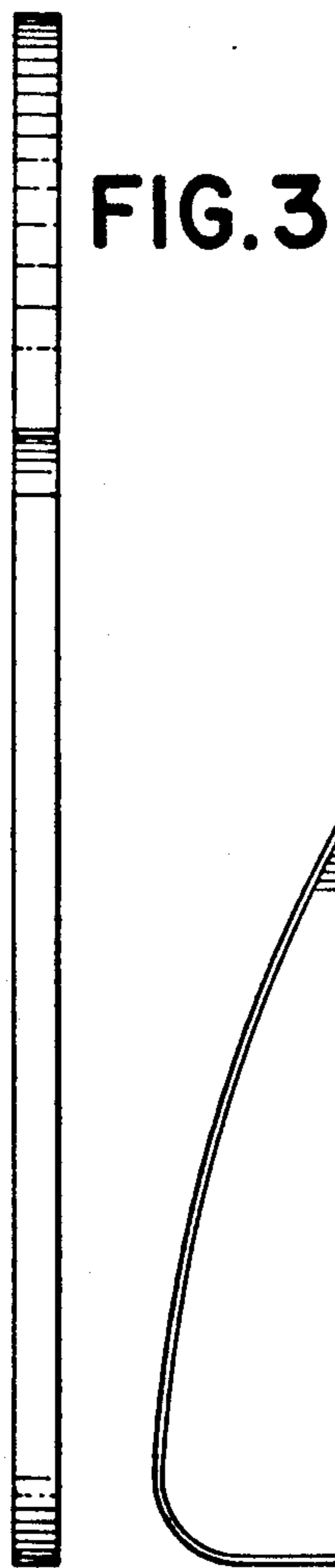
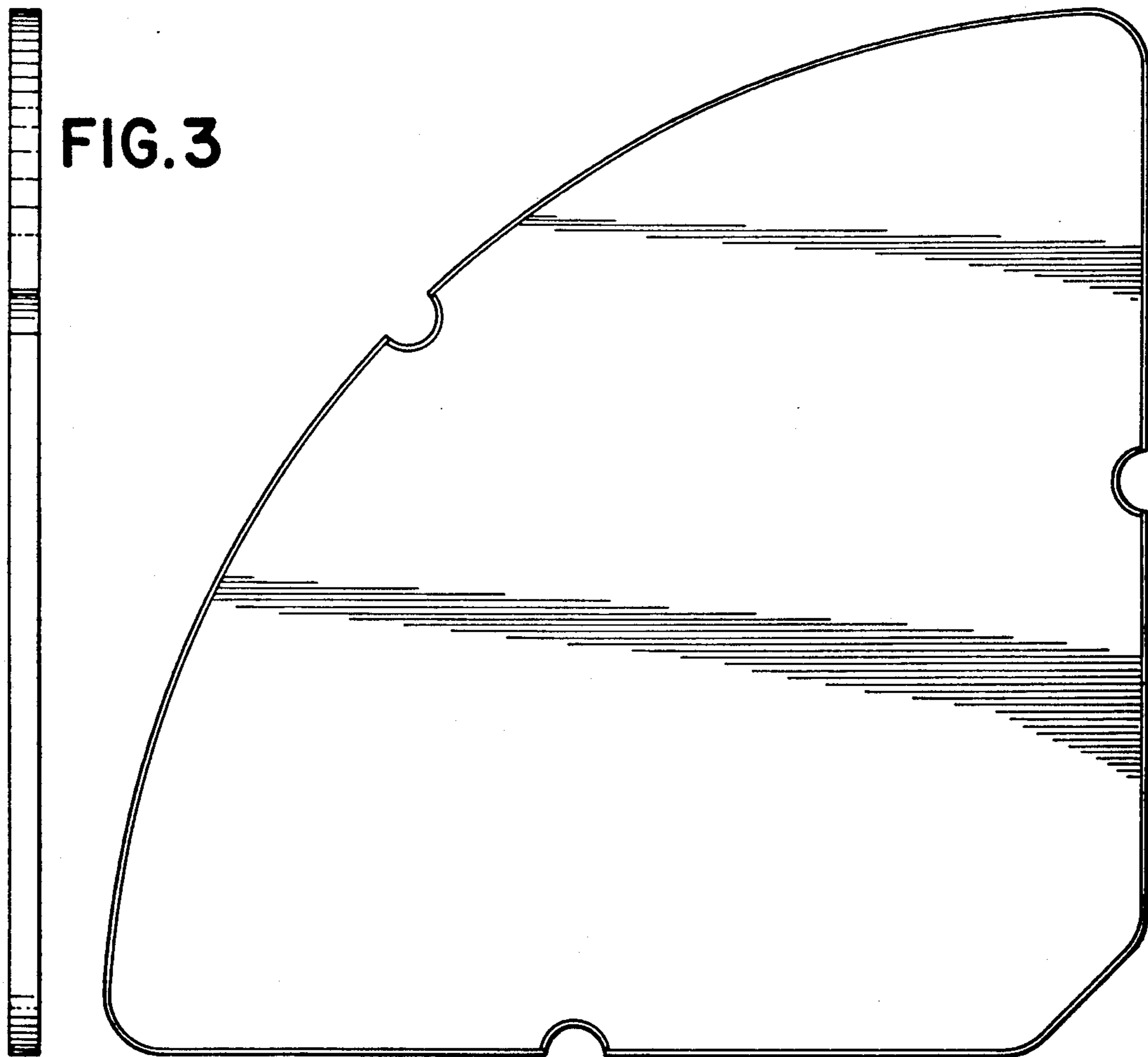
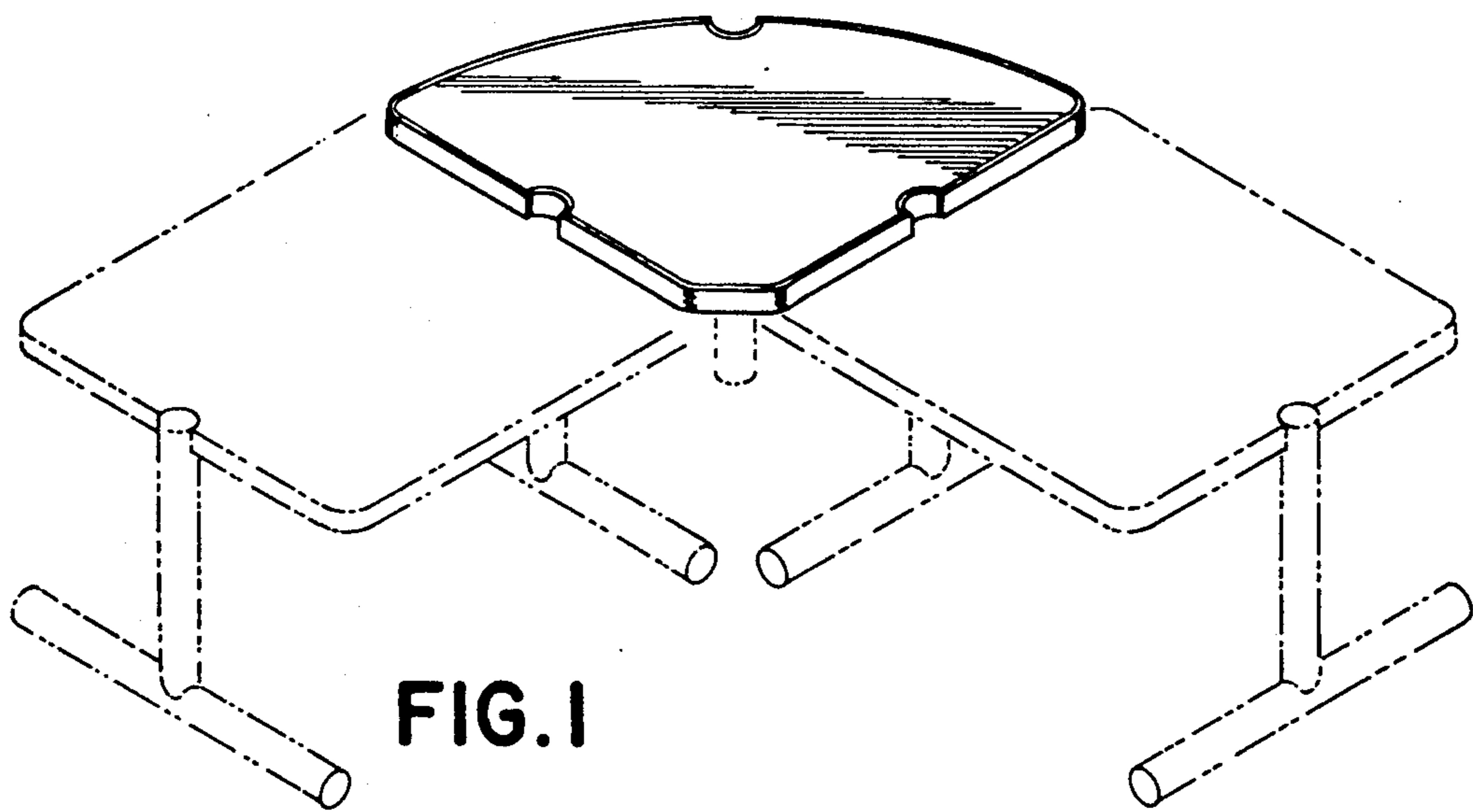


FIG. 2

FIG. 4