



US00D328206S

United States Patent [19]

[11] Patent Number: Des. 328,206

Lewis

[45] Date of Patent: ** Jul. 28, 1992

[54] CONSOLE TABLE

[76] Inventor: Sally S. Lewis, 8950 St. Ives Dr., Los Angeles, Calif. 90069

[**] Term: 14 Years

[21] Appl. No.: 456,286

[22] Filed: Dec. 26, 1989

[52] U.S. Cl. D6/481; D6/482; D6/441

[58] Field of Search D6/480-489, D6/490, 499, 429-430, 455, 441, 477

[56] References Cited

U.S. PATENT DOCUMENTS

- D. 139,893 1/1945 Roberts et al. D6/481
- D. 225,927 1/1973 Duern et al. D6/477
- D. 311,831 11/1990 Nylen D6/441

OTHER PUBLICATIONS

Retailing-Home Furnishings Edition-Section 1, Jan. 3, 1938, p. 78, Table at top center.

D.I.A. 1988, p. 22, #1218-4 Table at lower left.

Primary Examiner—Donald P. Walsh
Assistant Examiner—Janice E. Seeger
Attorney, Agent, or Firm—Charles H. Schwartz;
Ellsworth R. Roston

[57] CLAIM

The ornamental design for a console table, as shown and described.

DESCRIPTION

FIG. 1 is a front perspective view of a console table showing my new design;
FIG. 2 is a side elevational view, the opposite side being a mirror image thereof;
FIG. 3 is a top plan view thereof;
FIG. 4 is a front elevational view thereof;
FIG. 5 is a rear elevational view thereof; and,
FIG. 6 is a bottom plan view thereof.

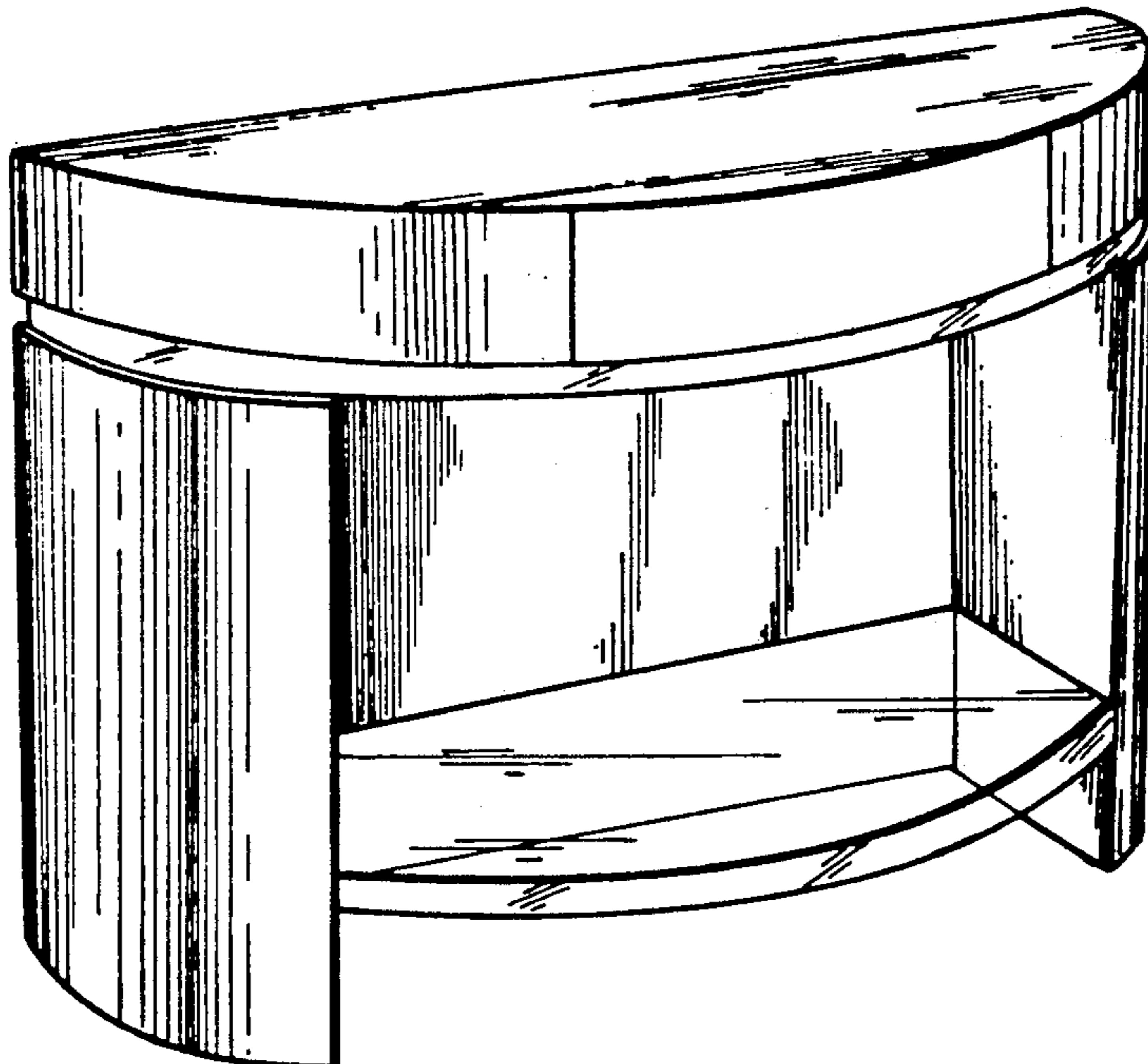


FIG. 1

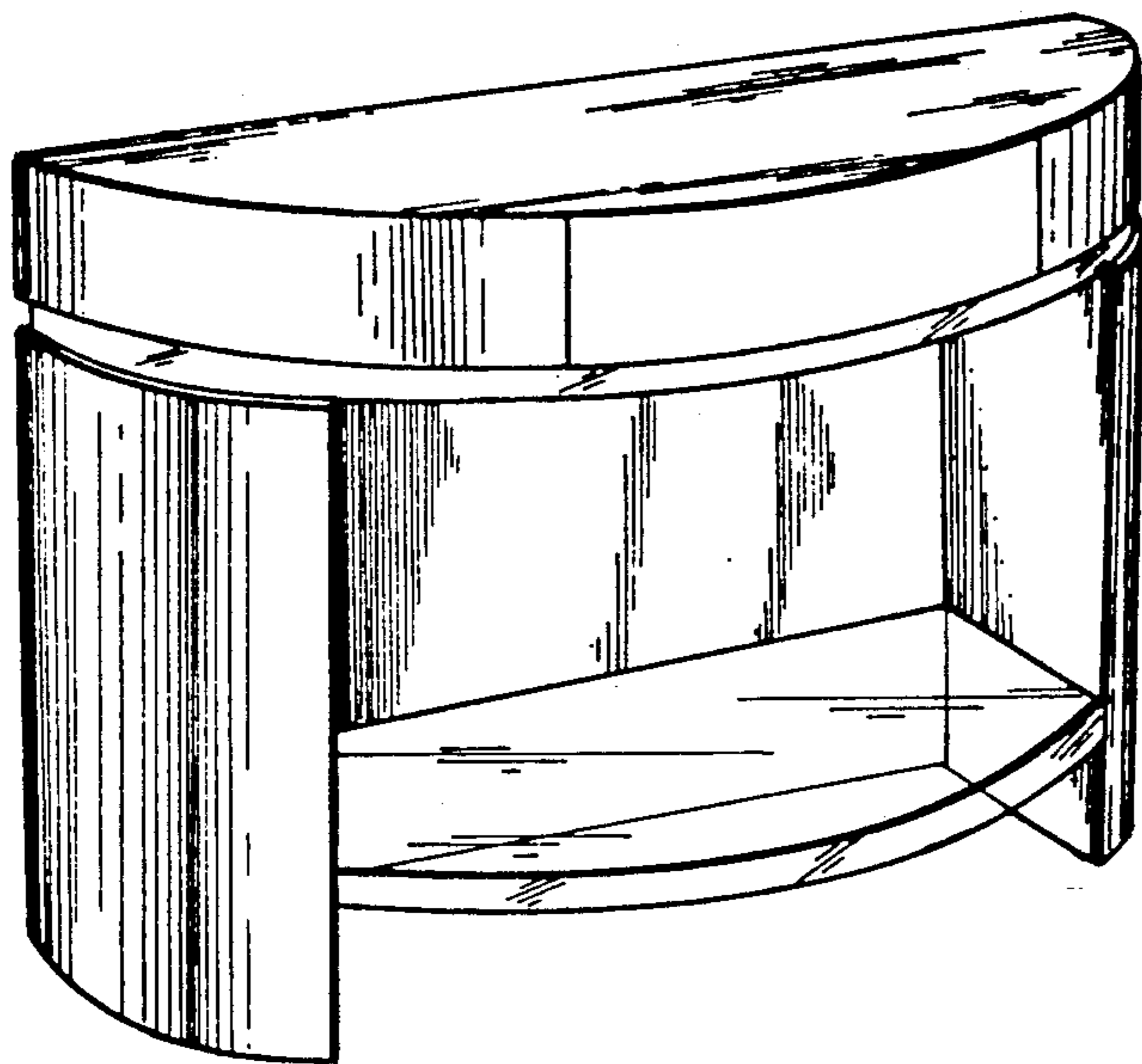


FIG. 2

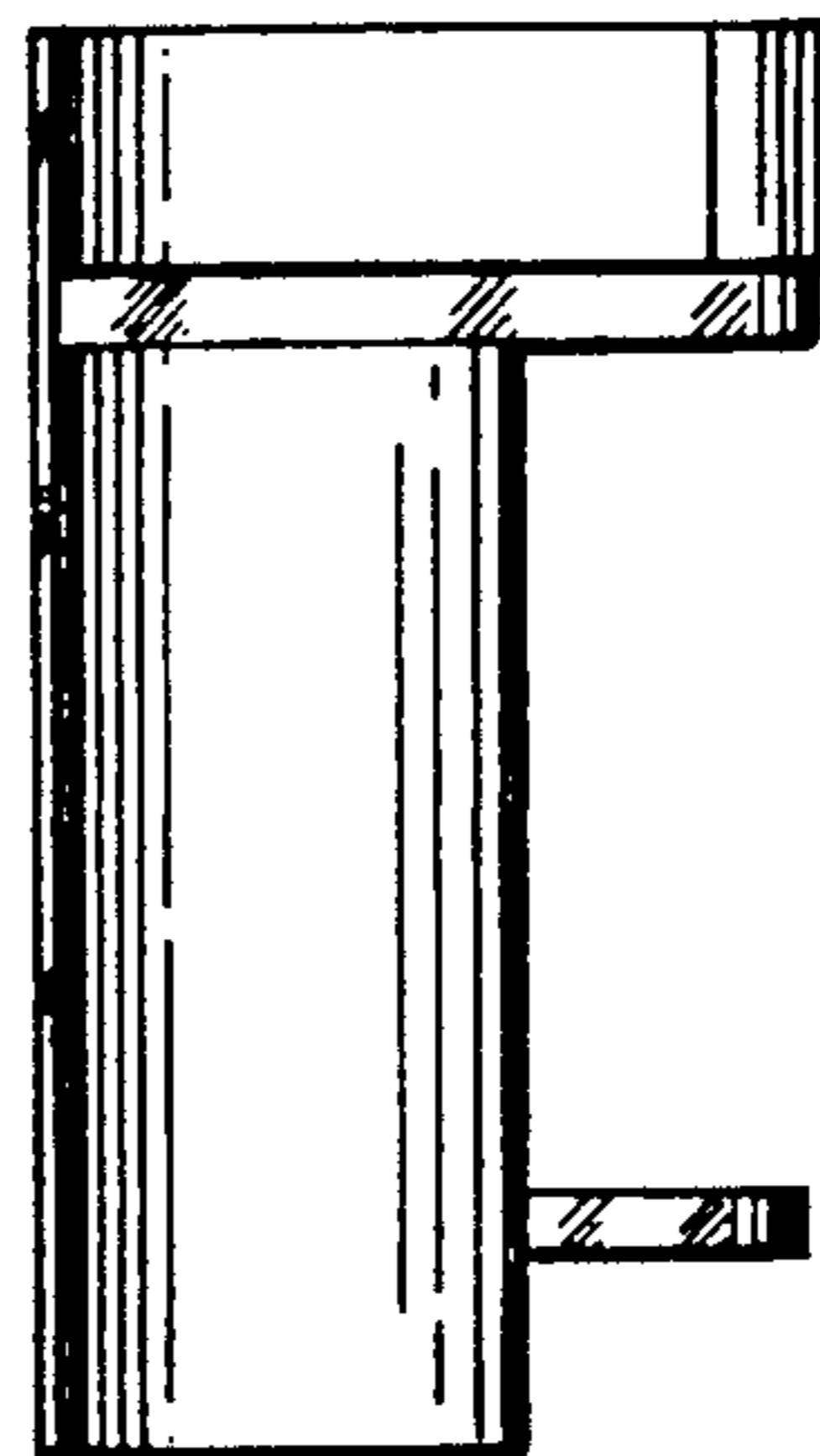


FIG. 3

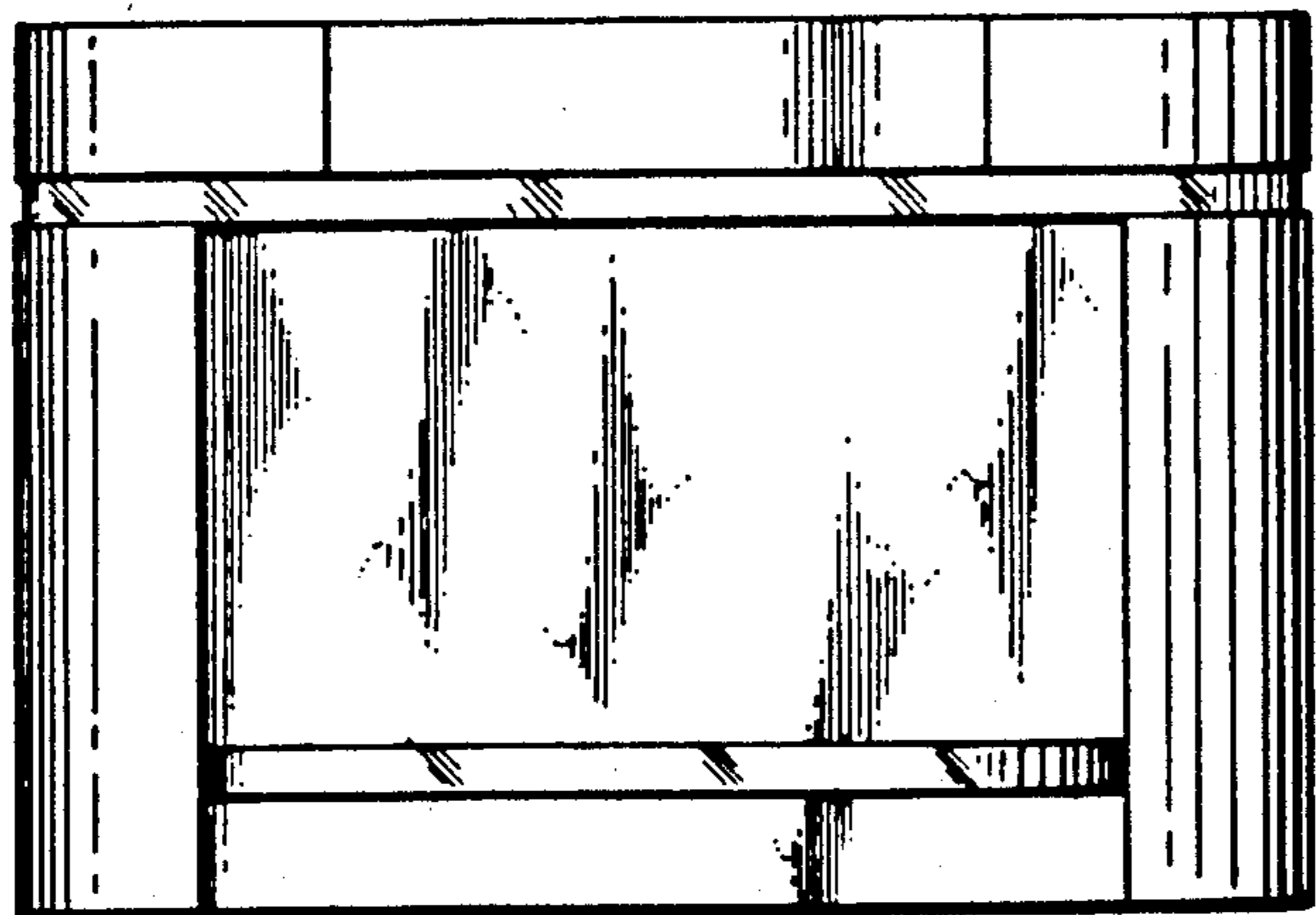
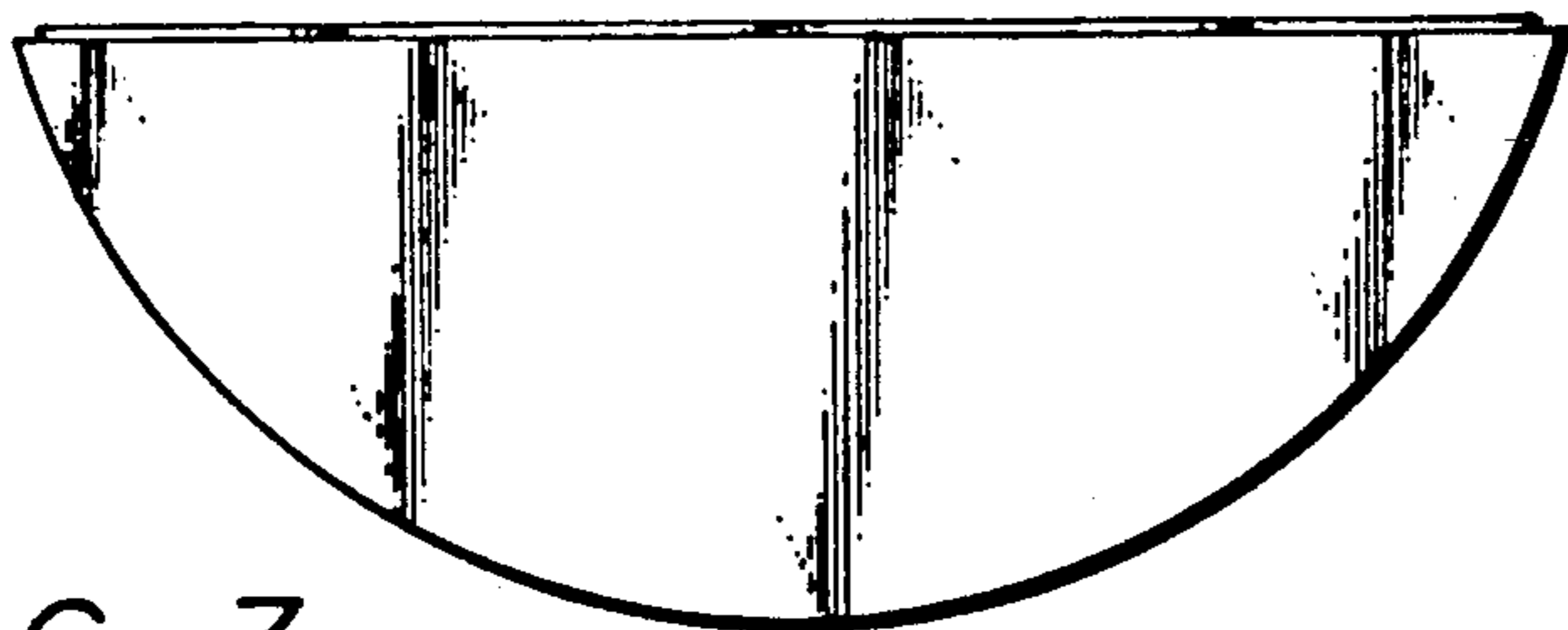


FIG. 4

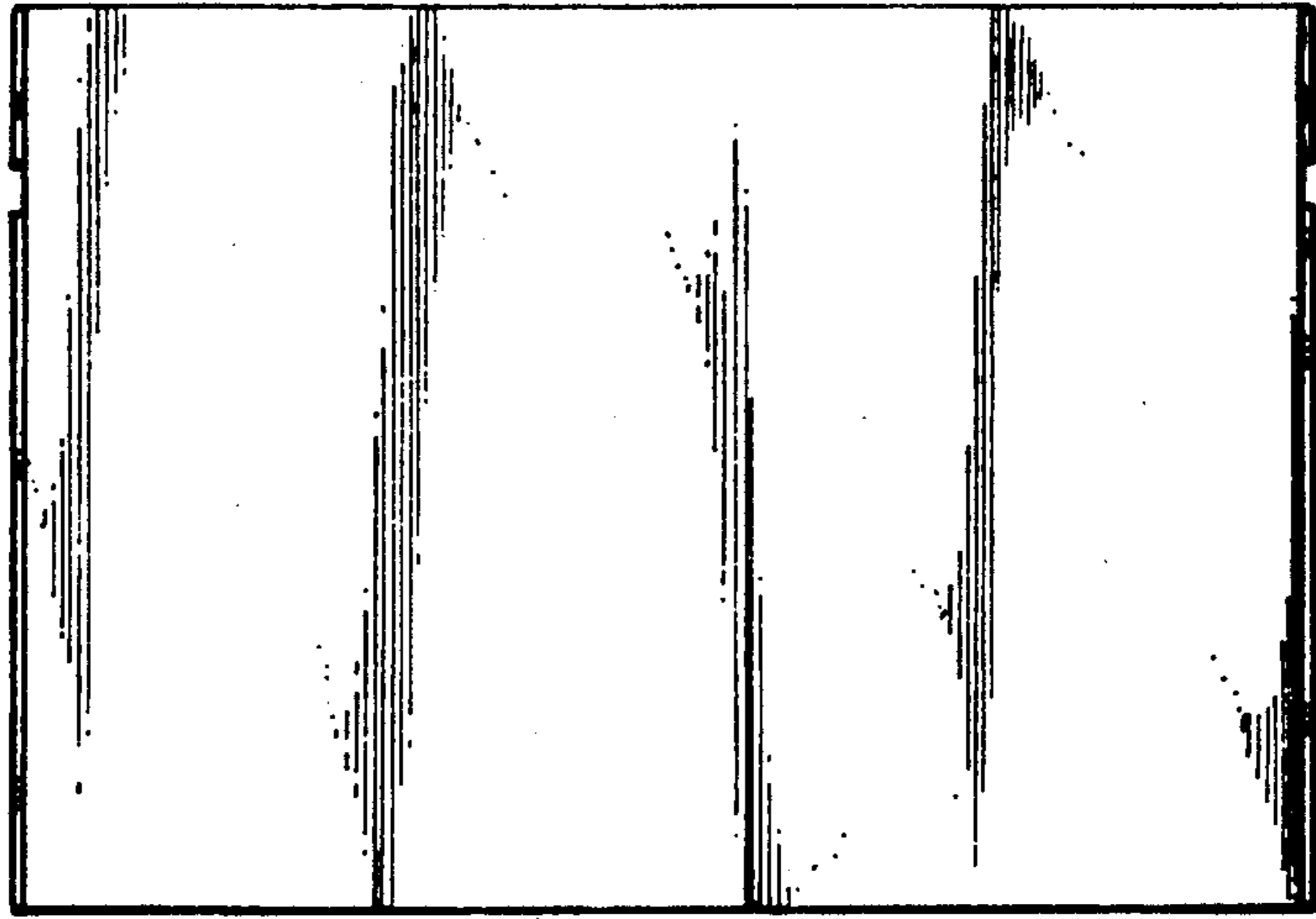


FIG. 5

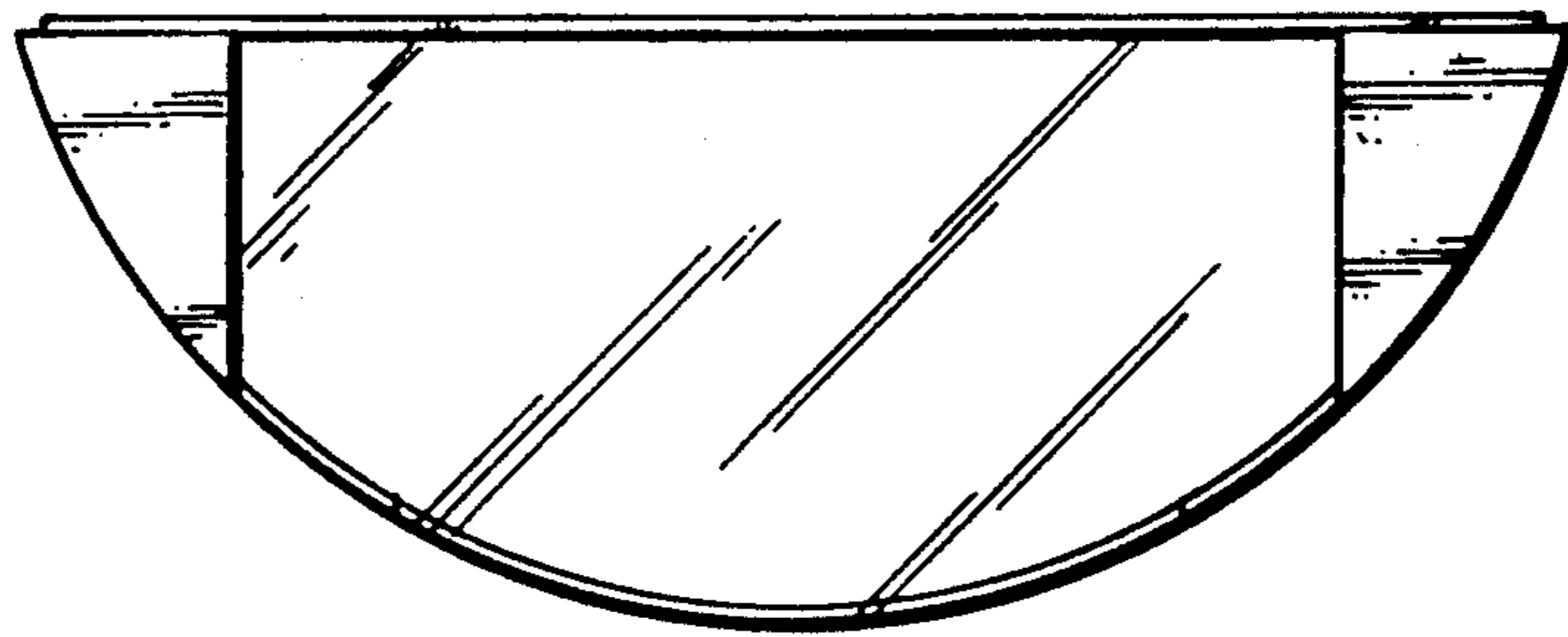


FIG. 6