



US00D328200S

# United States Patent [19]

[11] Patent Number: Des. 328,200

Ipsen

[45] Date of Patent: \*\* Jul. 28, 1992

[54] DISPENSING HEAD

[75] Inventor: Bernt Ipsen, Morud, Denmark

[73] Assignee: Micro Matic A/S, Denmark

[\*\*] Term: 14 Years

[21] Appl. No.: 423,091

[22] Filed: Oct. 18, 1989

[30] Foreign Application Priority Data

May 1, 1989 [DK] Denmark ..... MA 0529 1989

[52] U.S. Cl. .... D7/398; D7/400; D7/300.1

[58] Field of Search ..... D7/398, 300.1, 313, D7/400; D9/436, 337, 447, 448, 300; 224/30 R; D23/223; 222/402.13, 394

[56] References Cited

### U.S. PATENT DOCUMENTS

- D. 95,673 5/1935 Fuerst ..... D7/300.1 X
- D. 101,421 9/1936 Ward ..... D7/300.1
- D. 119,739 4/1940 D'Addario ..... D7/300.1

- D. 213,489 3/1969 Foxell ..... D7/300.1
- D. 255,798 7/1980 Wiedmann ..... D7/398
- 2,092,596 9/1937 Ward ..... D7/300.1 X

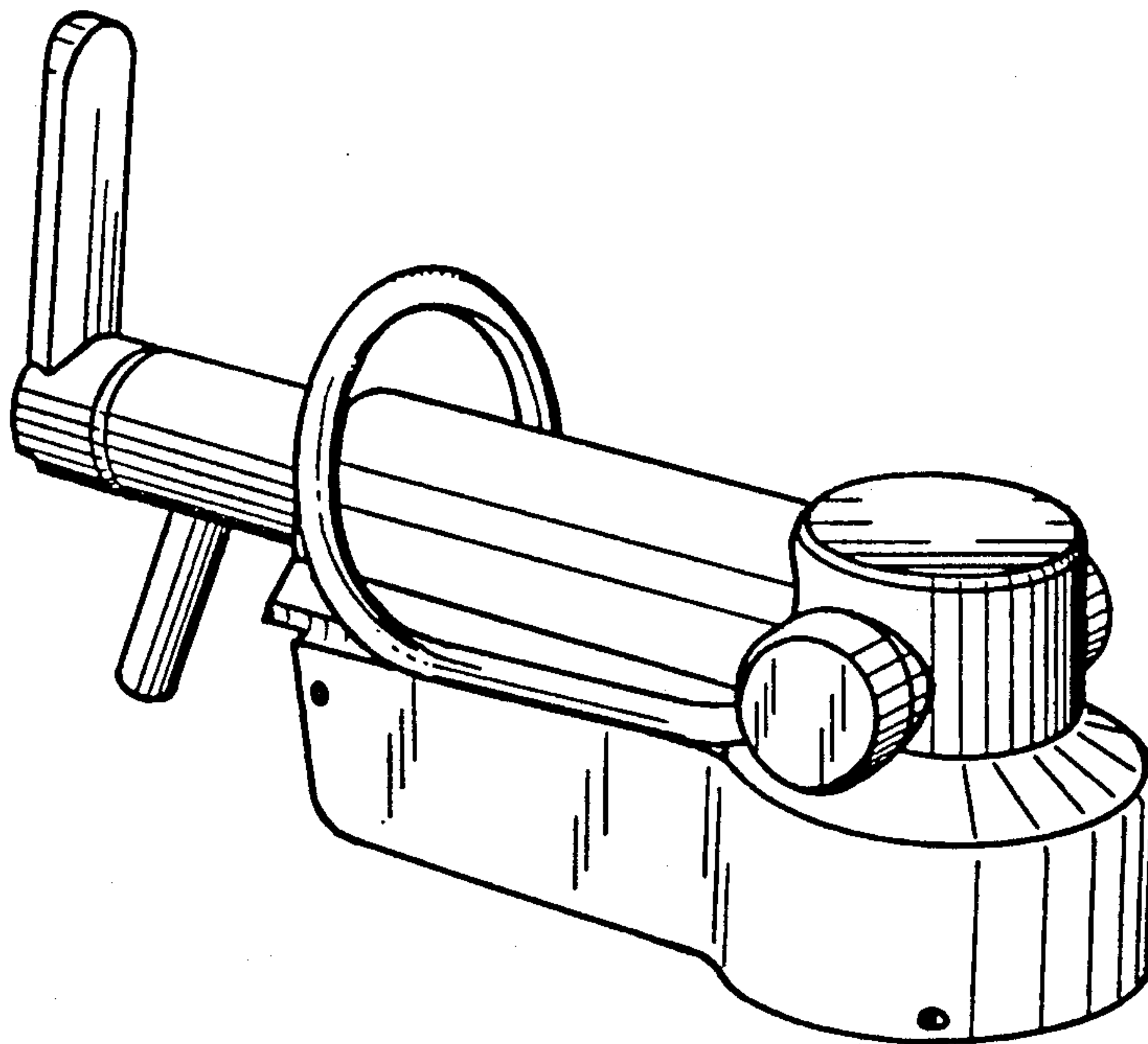
Primary Examiner—Donald P. Walsh  
Assistant Examiner—M. N. Pandozzi  
Attorney, Agent, or Firm—Oliff & Berridge

### [57] CLAIM

The ornamental design for a dispensing head, as shown and described.

### DESCRIPTION

FIG. 1 is a top left perspective view of a dispensing head, showing my new design in closed position;  
 FIG. 2 is a top left perspective view thereof in open position;  
 FIG. 3 is a left side being a mirror image thereof;  
 FIG. 4 is a left side elevational view in open position, the right side being a mirror image thereof;  
 FIG. 5 is a top plan view thereof in closed position;  
 FIG. 6 is a bottom plan view thereof in closed position;  
 FIG. 7 is a button plan view thereof in open position;  
 FIG. 8 is a front elevational view thereof; and,  
 FIG. 9 is a rear elevational view thereof.



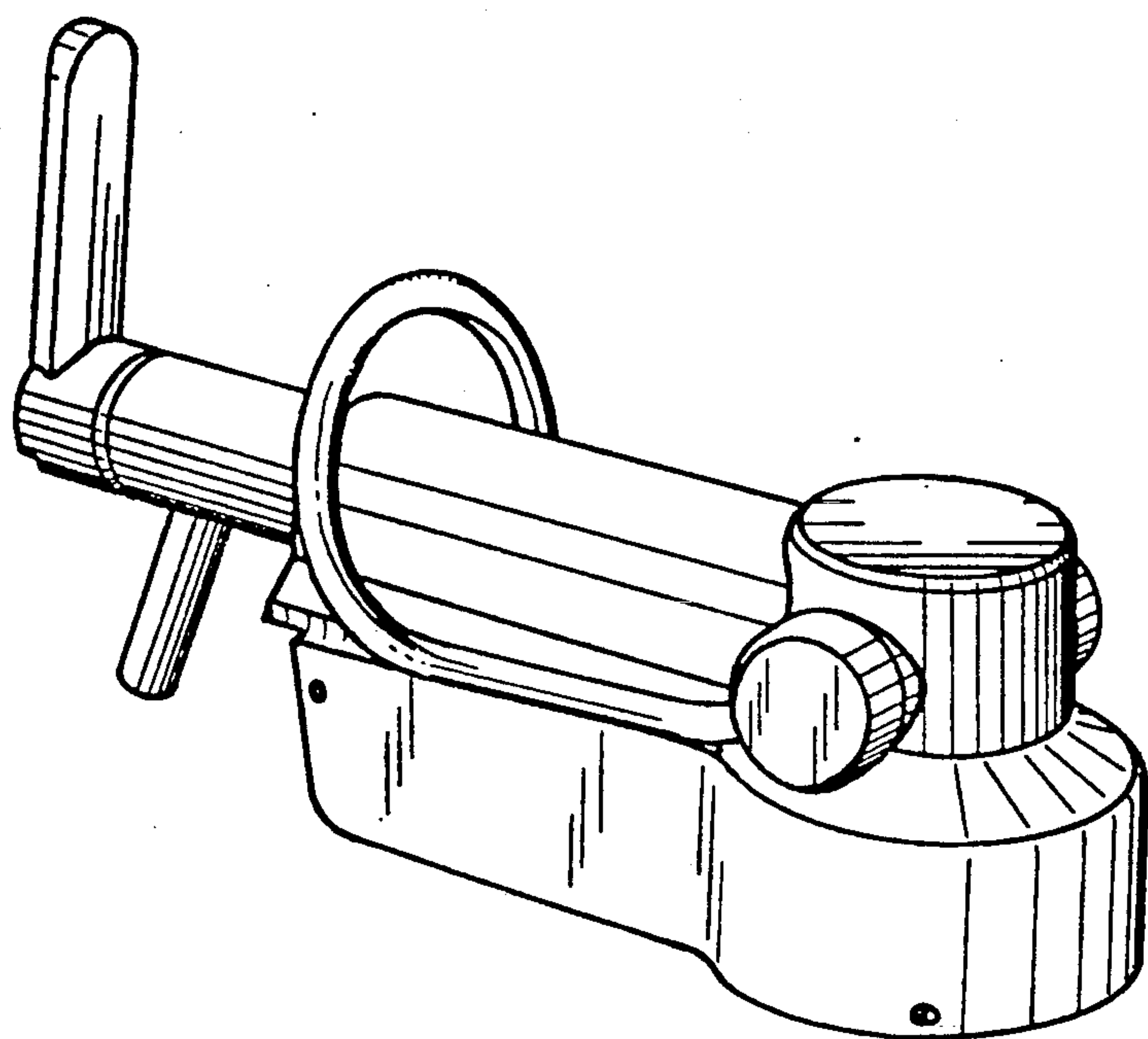


FIG. 1

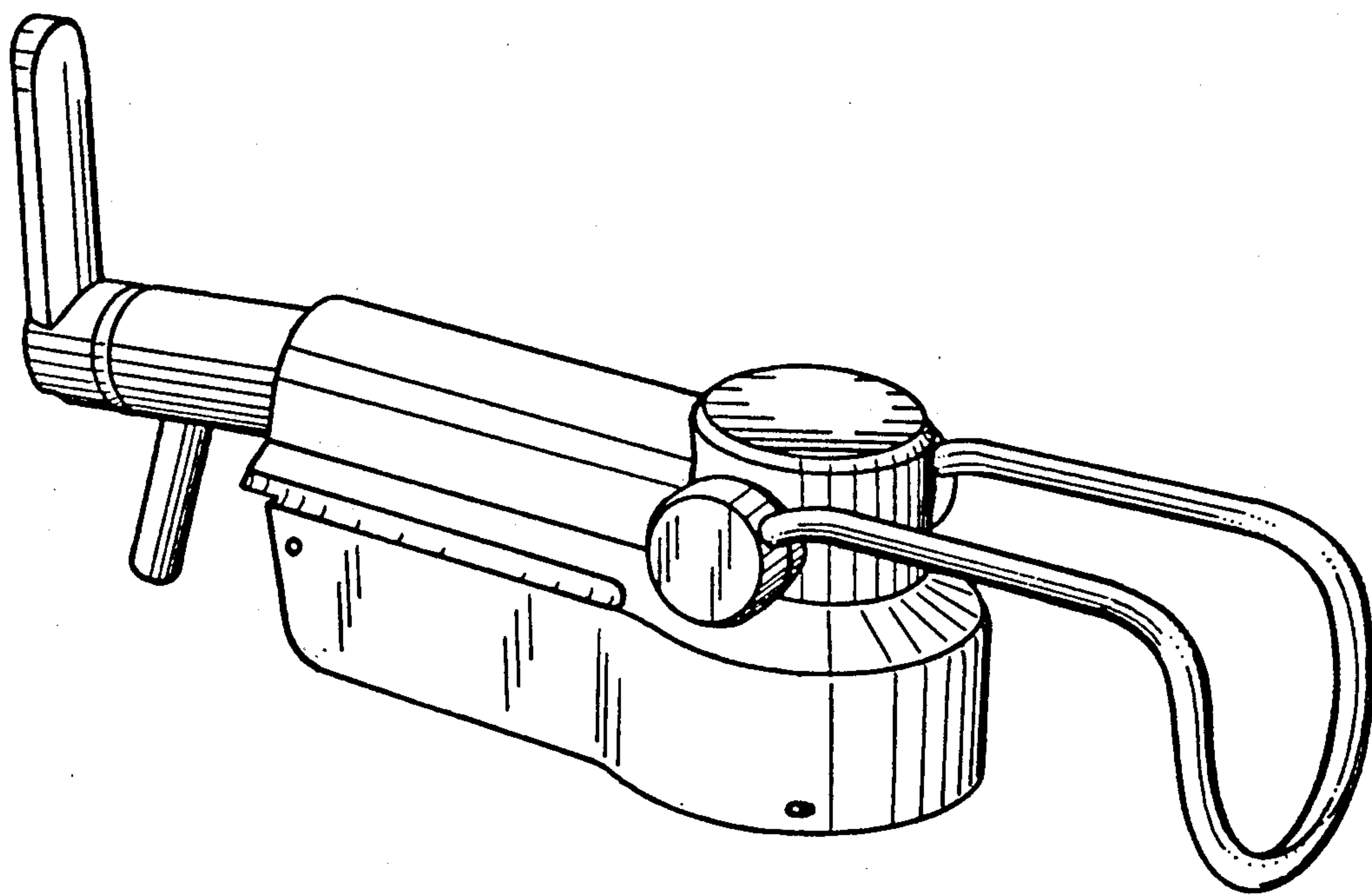


FIG. 2

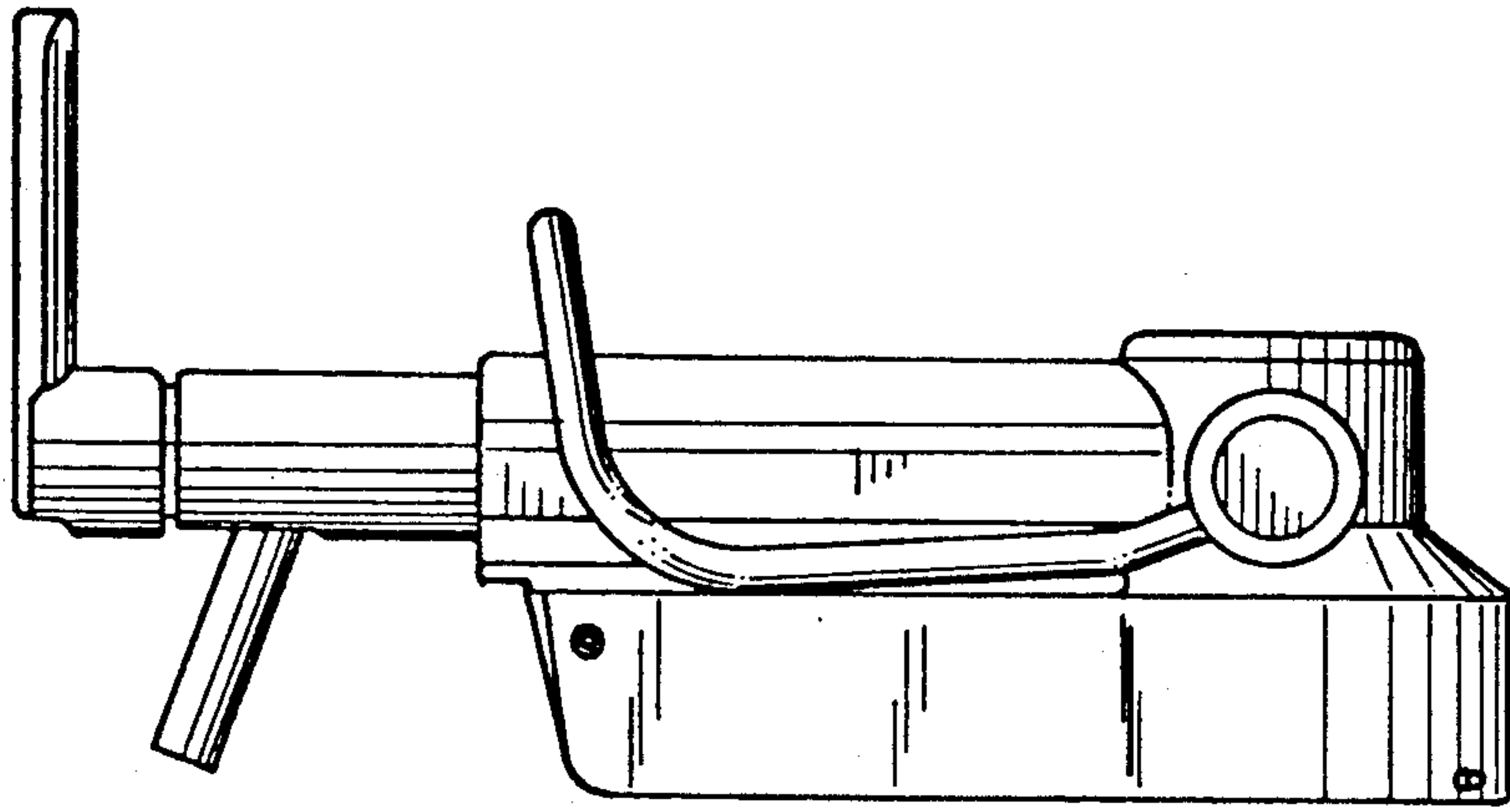


FIG. 3

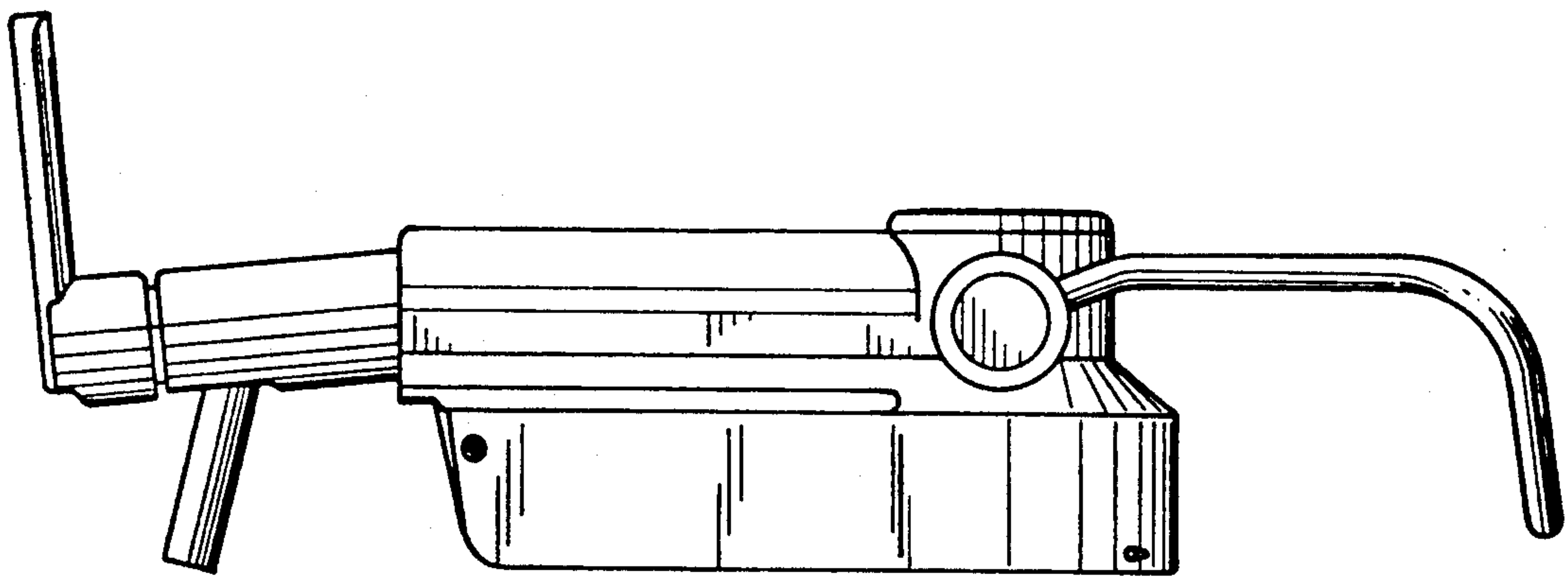


FIG. 4

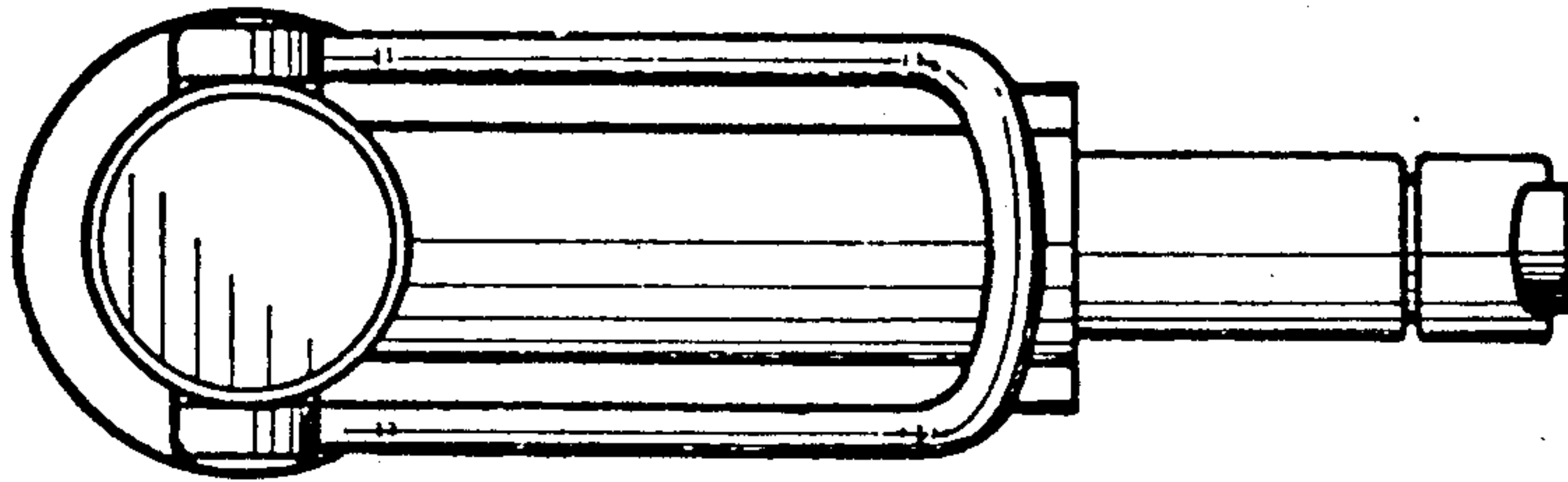


FIG. 5

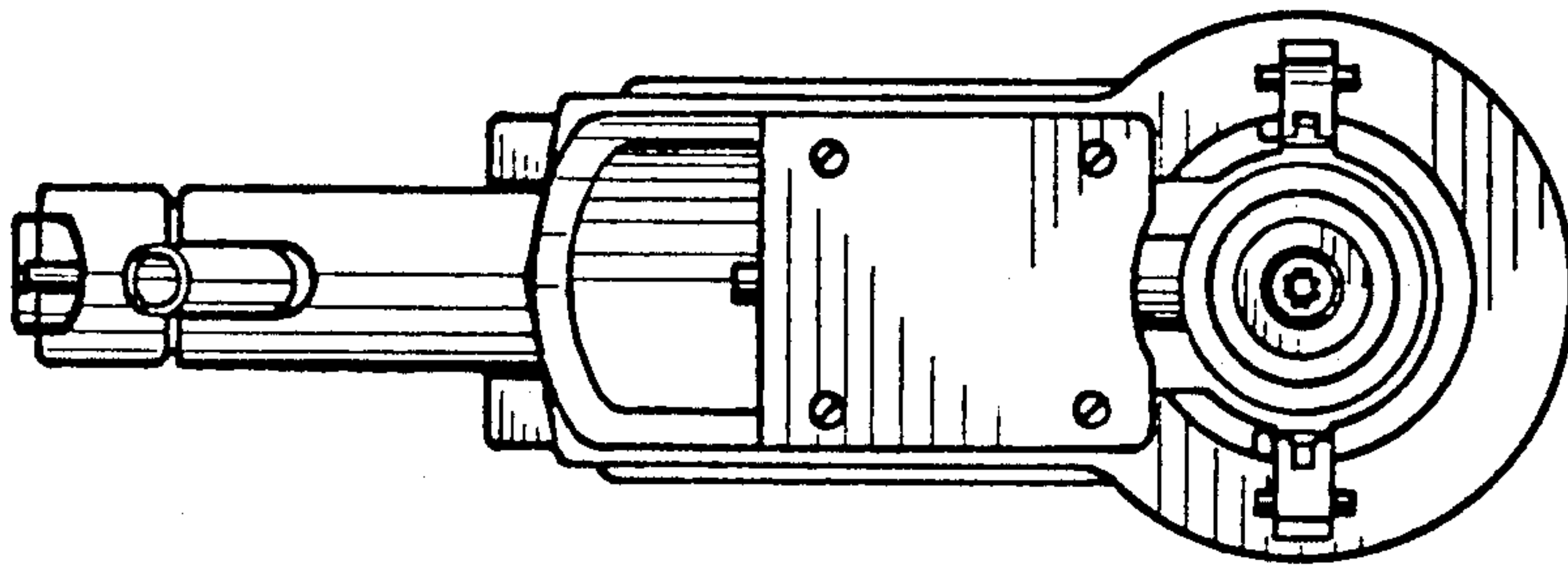


FIG. 6

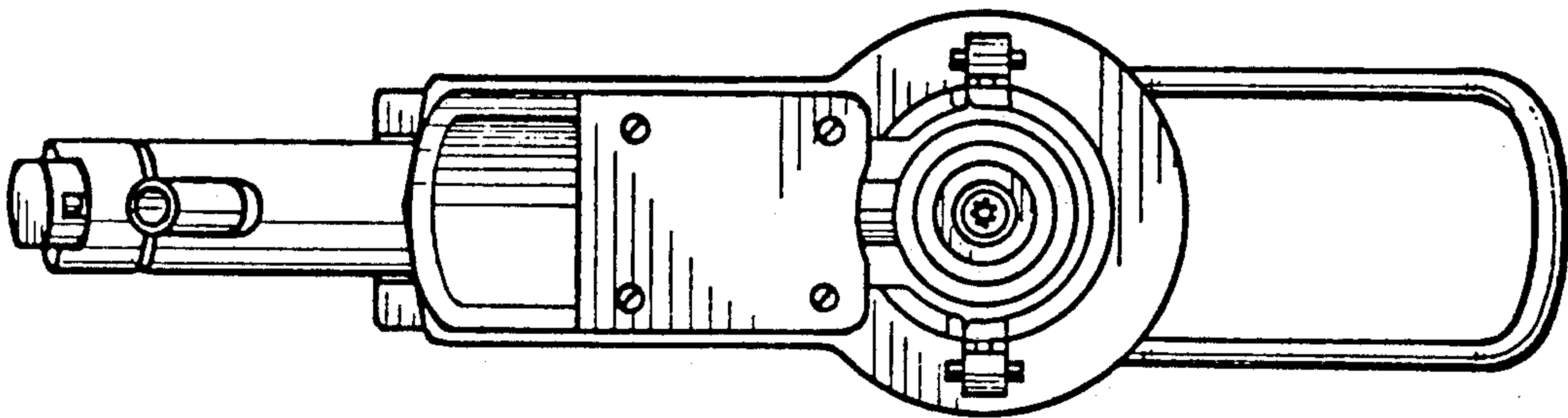


FIG. 7

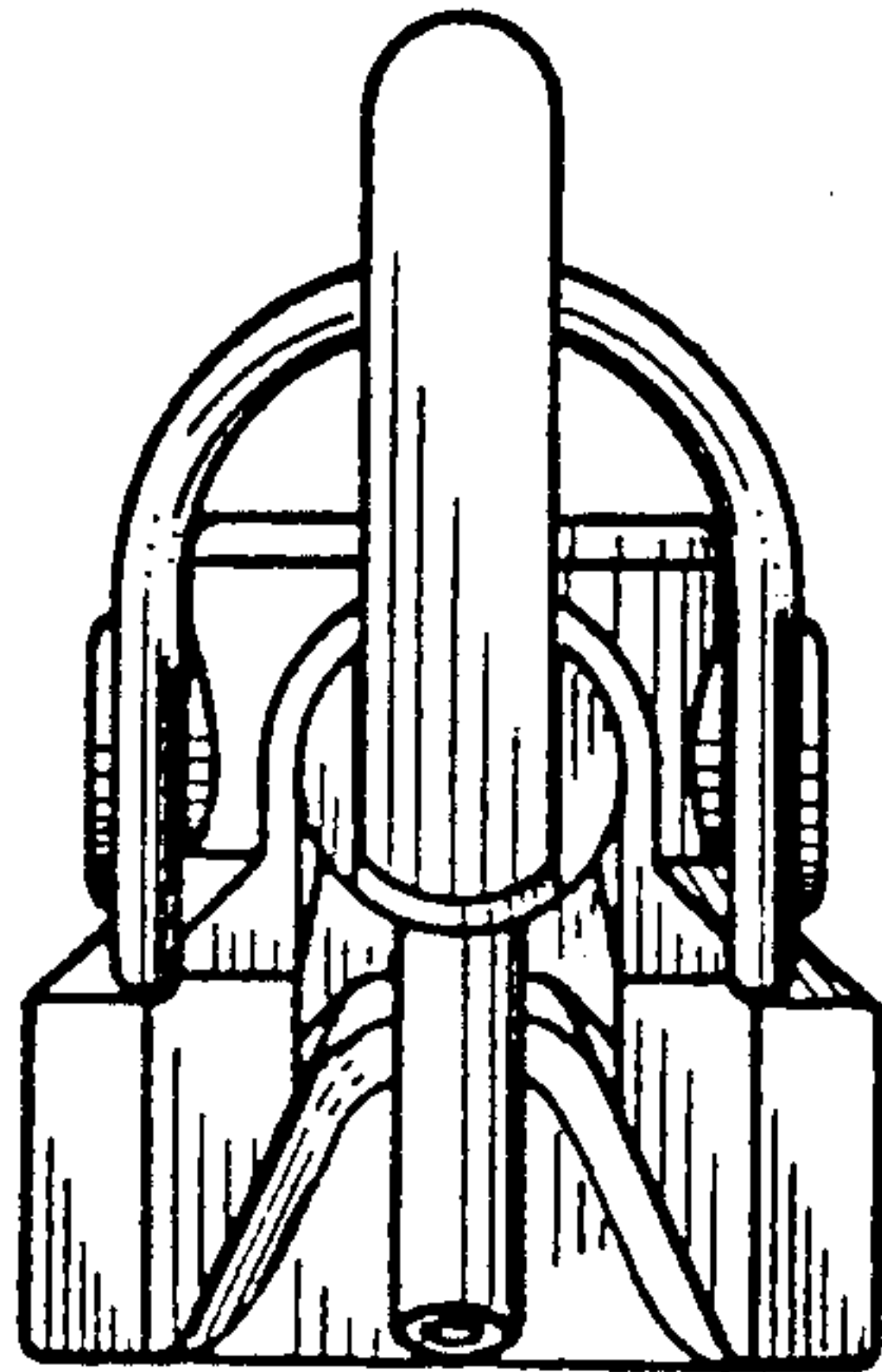


FIG. 8

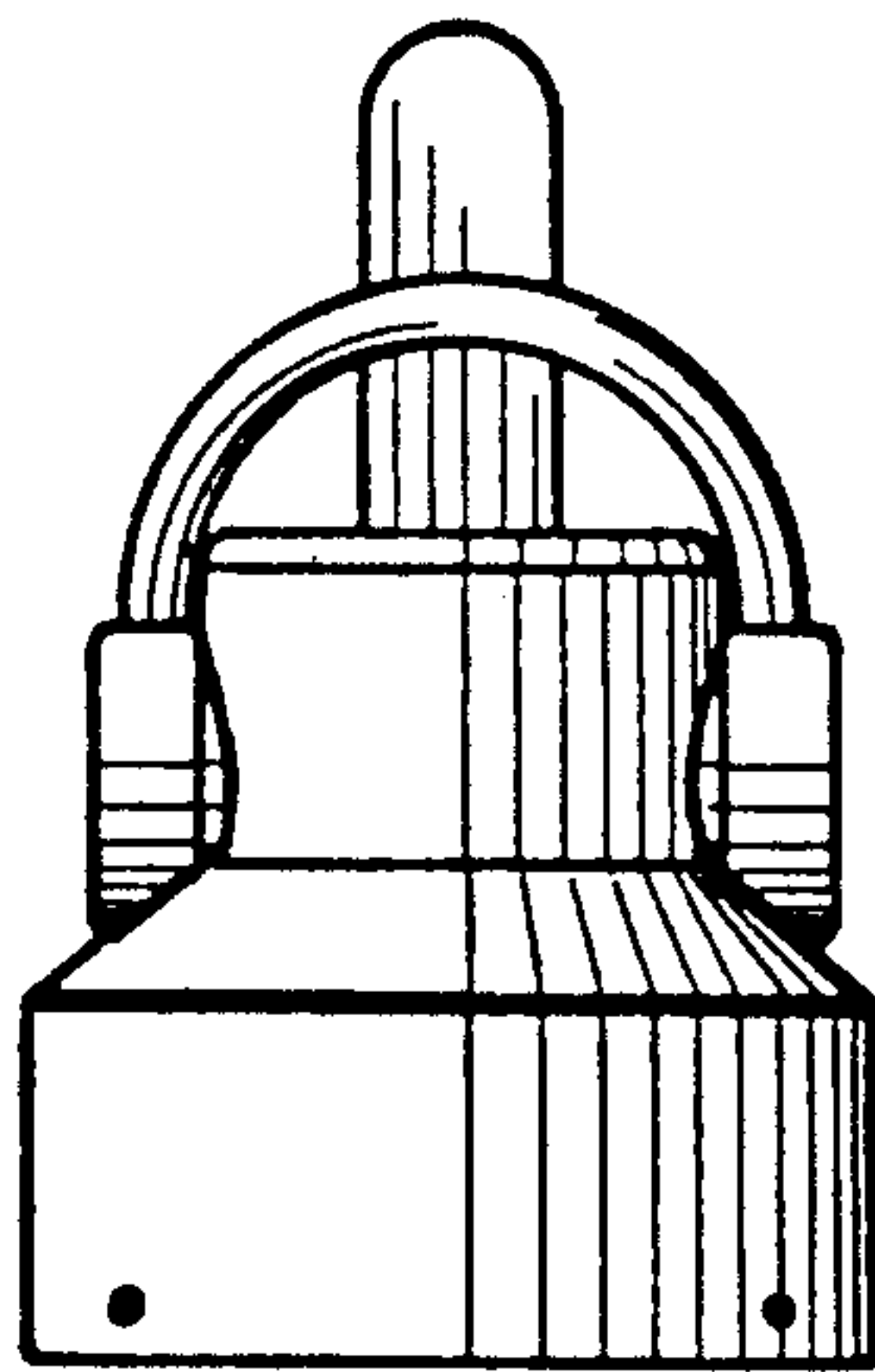


FIG. 9