



US00D328196S

United States Patent [19]

Takahashi et al.

[11] Patent Number: **Des. 328,196**

[45] Date of Patent: **** Jul. 28, 1992**

[54] **HIGH CHAIR**

[75] Inventors: **Takehiko Takahashi; Yoshiyasu Ishii; Susumu Matsumoto, all of Tokyo, Japan**

[73] Assignee: **Combi Corporation Ltd., Tokyo, Japan**

[**] Term: **14 Years**

[21] Appl. No.: **365,146**

[22] Filed: **May 31, 1989**

[30] **Foreign Application Priority Data**

Feb. 3, 1989 [JP] Japan 1-3524

[52] U.S. Cl. **D6/339; D6/338**

[58] Field of Search **D6/333, 334, 335, 338, D6/339, 368, 500**

[56] **References Cited**

U.S. PATENT DOCUMENTS

- D. 151,417 10/1948 Sverdlik D6/339 X
- D. 160,633 10/1950 Kvarnstrom D6/368 X
- D. 234,379 2/1975 Catelli D6/333 X
- D. 246,553 12/1977 Ballenger D6/339

- D. 246,682 12/1977 Nakao D6/333 X
- D. 247,462 3/1978 Meeker D6/333
- D. 261,828 11/1981 Nakao et al. D6/333
- D. 291,156 8/1987 Nakao et al. D6/338
- D. 297,684 9/1988 Taylor, Sr. D6/335

Primary Examiner—Donald P. Walsh
Assistant Examiner—Gary D. Watson
Attorney, Agent, or Firm—Sughrue, Mion, Zinn, Macpeak & Seas

[57] **CLAIM**

The ornamental design for a high chair, as shown and described.

DESCRIPTION

FIG. 1 is a perspective view of a high chair showing our new design;
FIG. 2 is a front elevational view;
FIG. 3 is a rear elevational view;
FIG. 4 is a top plan view;
FIG. 5 is a bottom plan view;
FIG. 6 is a left side elevational view;
FIG. 7 is a right side elevational view; and,
FIG. 8 is a front perspective view thereof showing the high chair in folded condition.



Fig. 1



Fig. 2

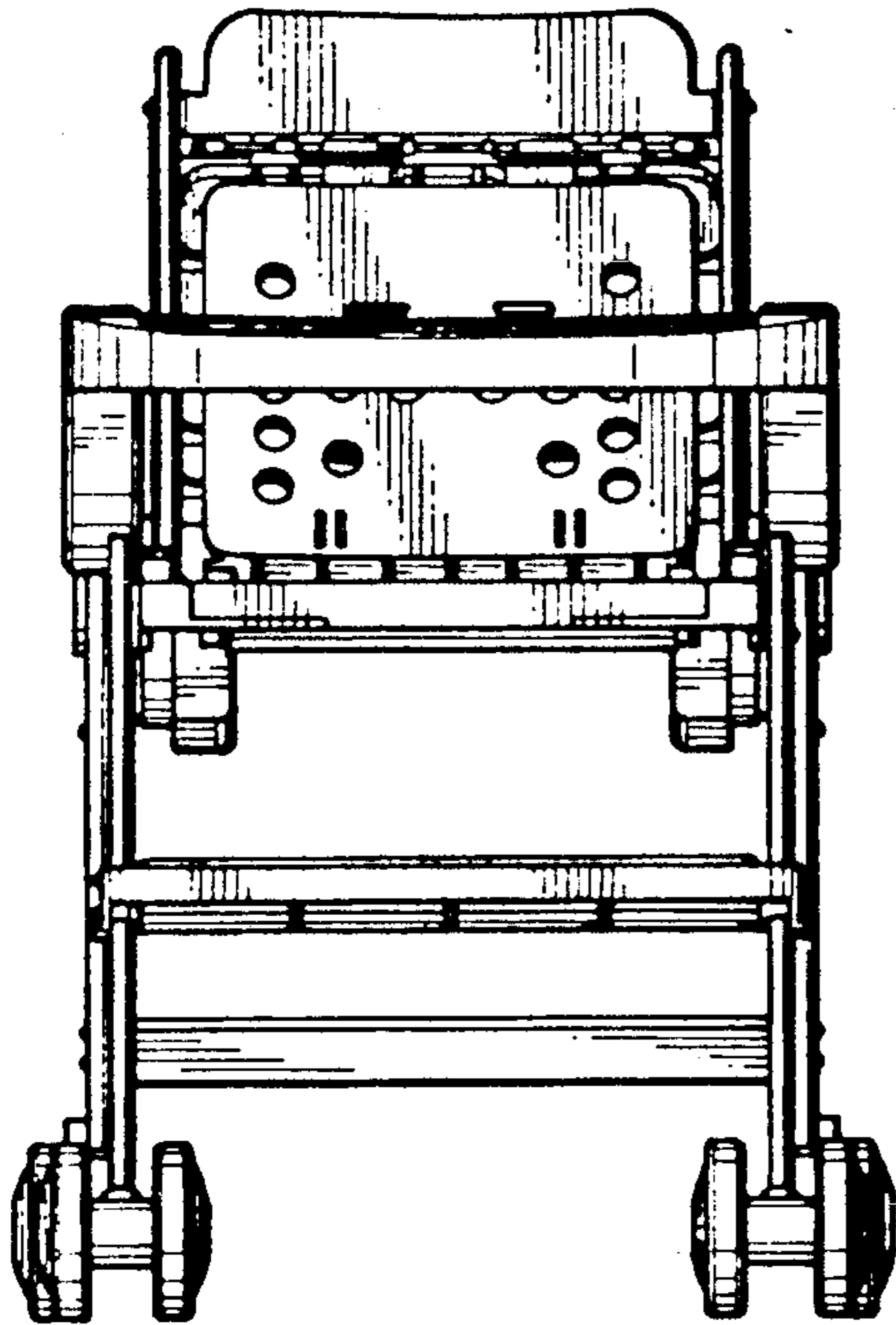


Fig. 3

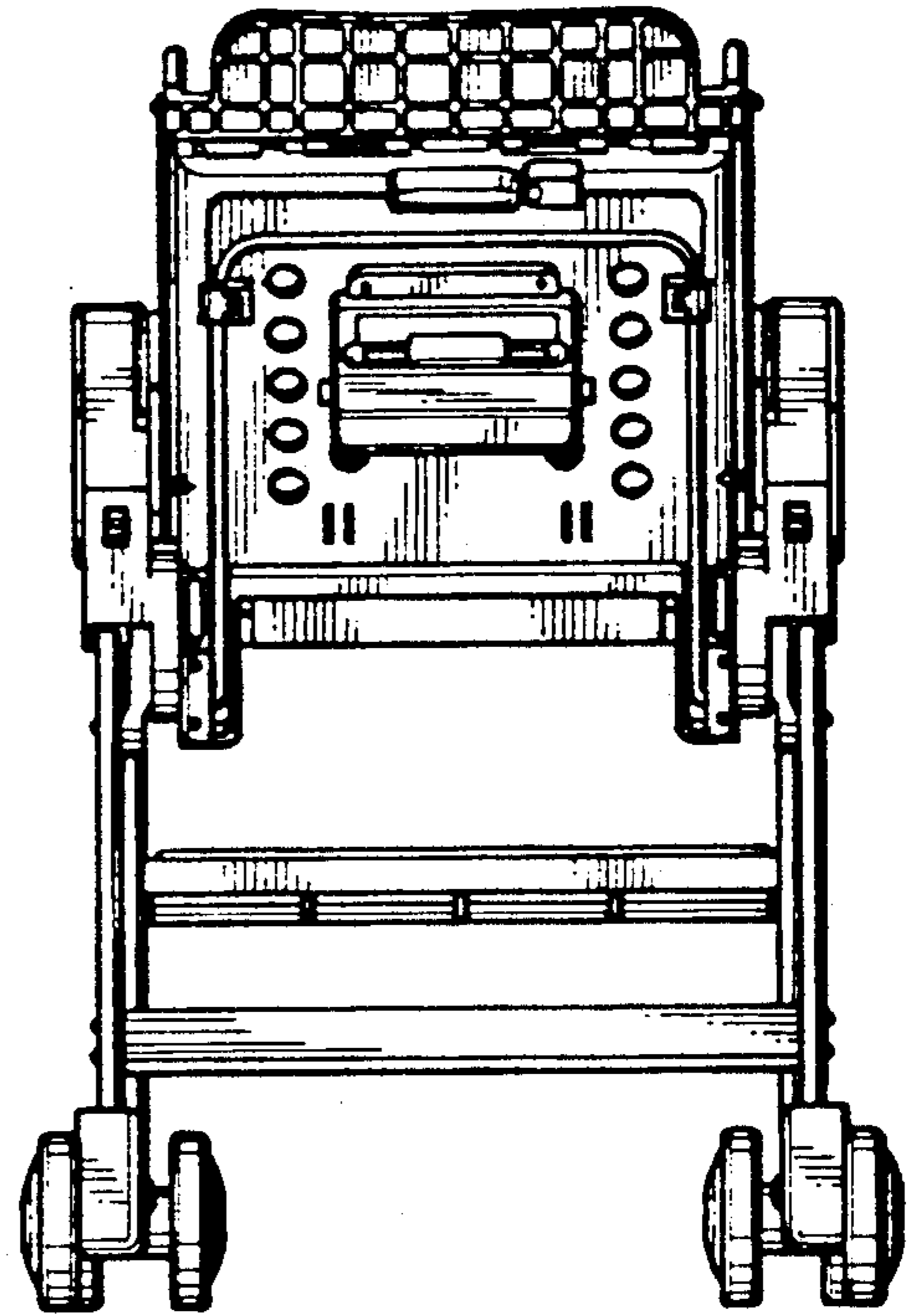


Fig. 4

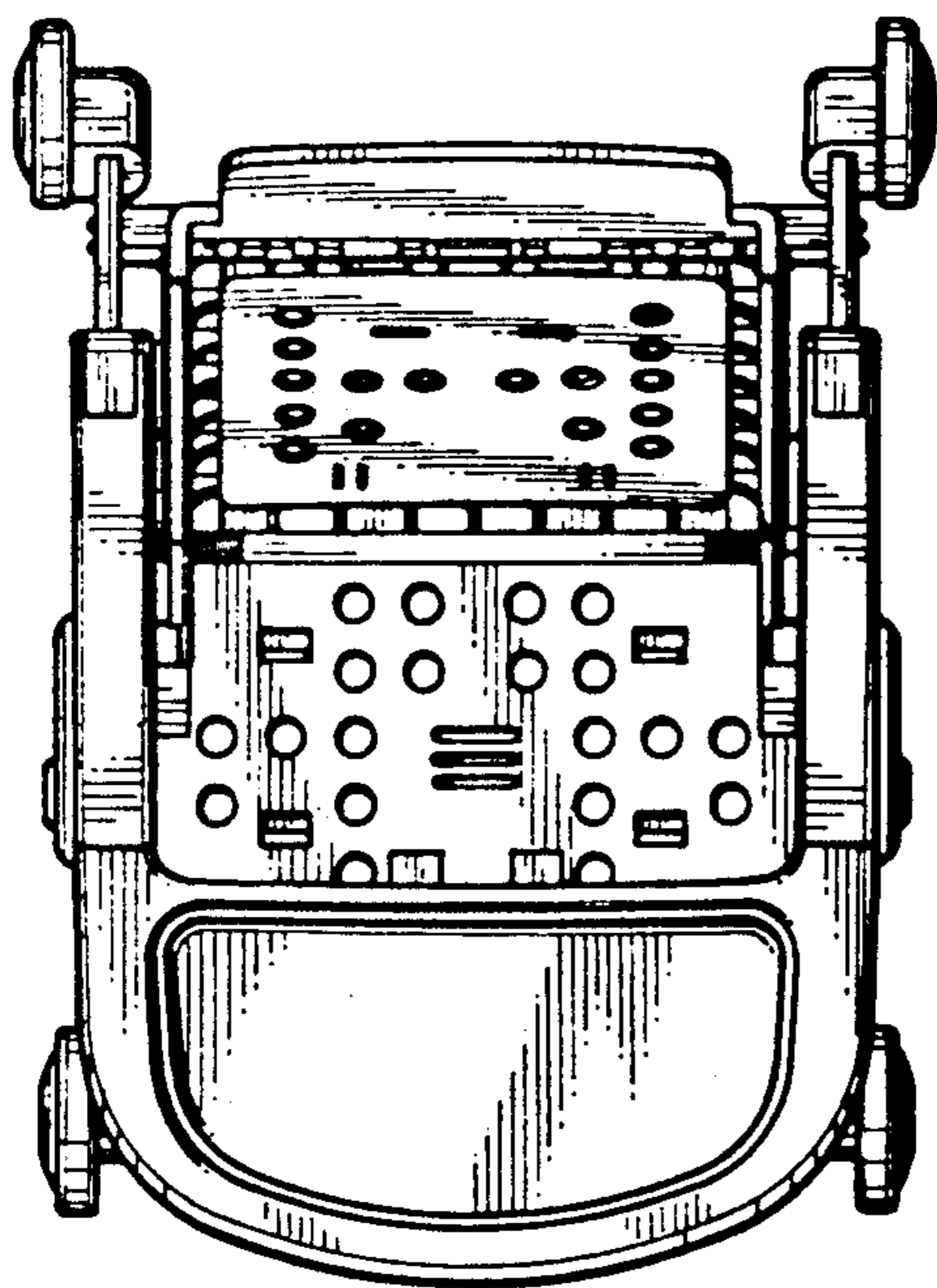


Fig. 5

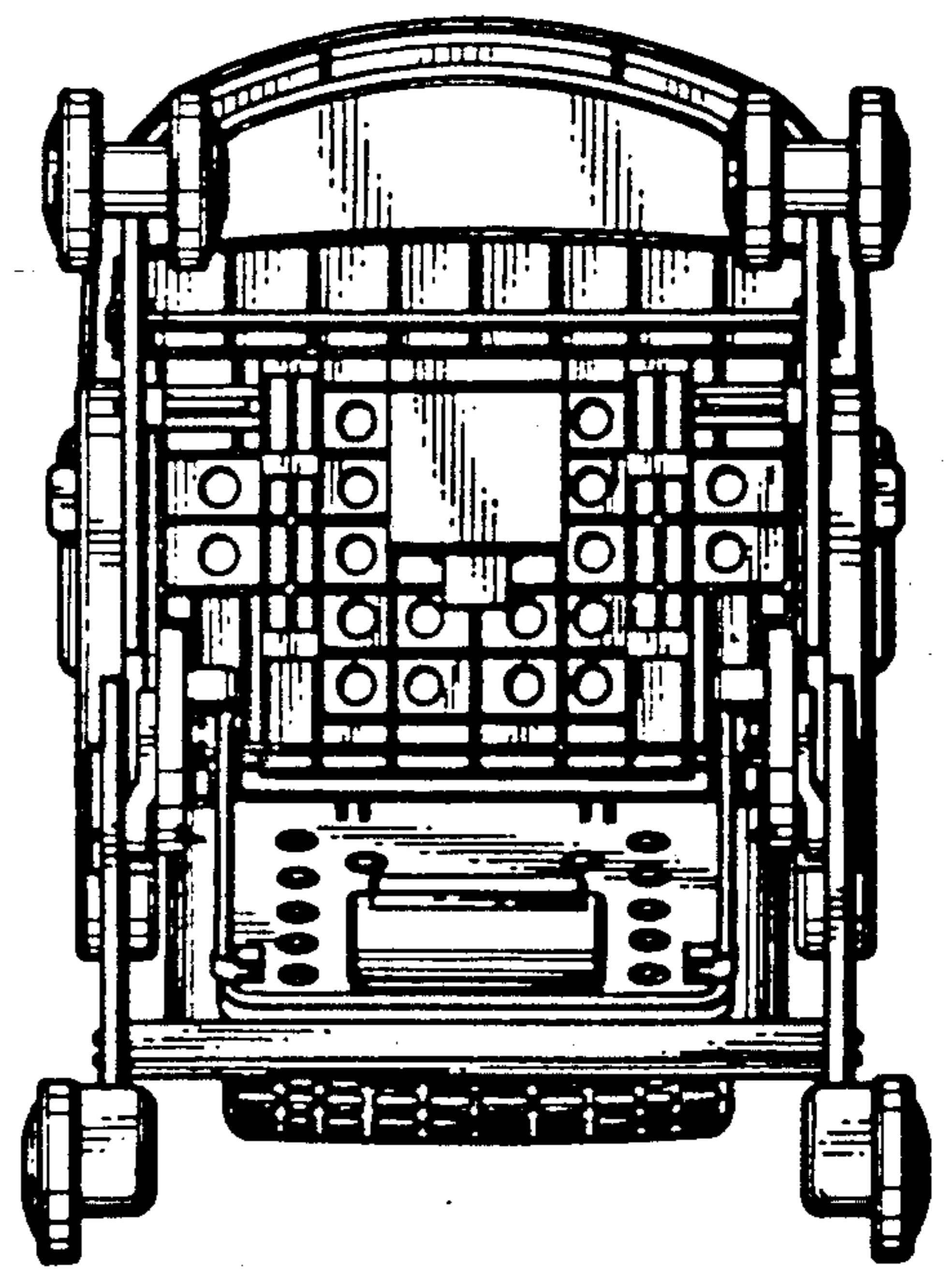


Fig. 6

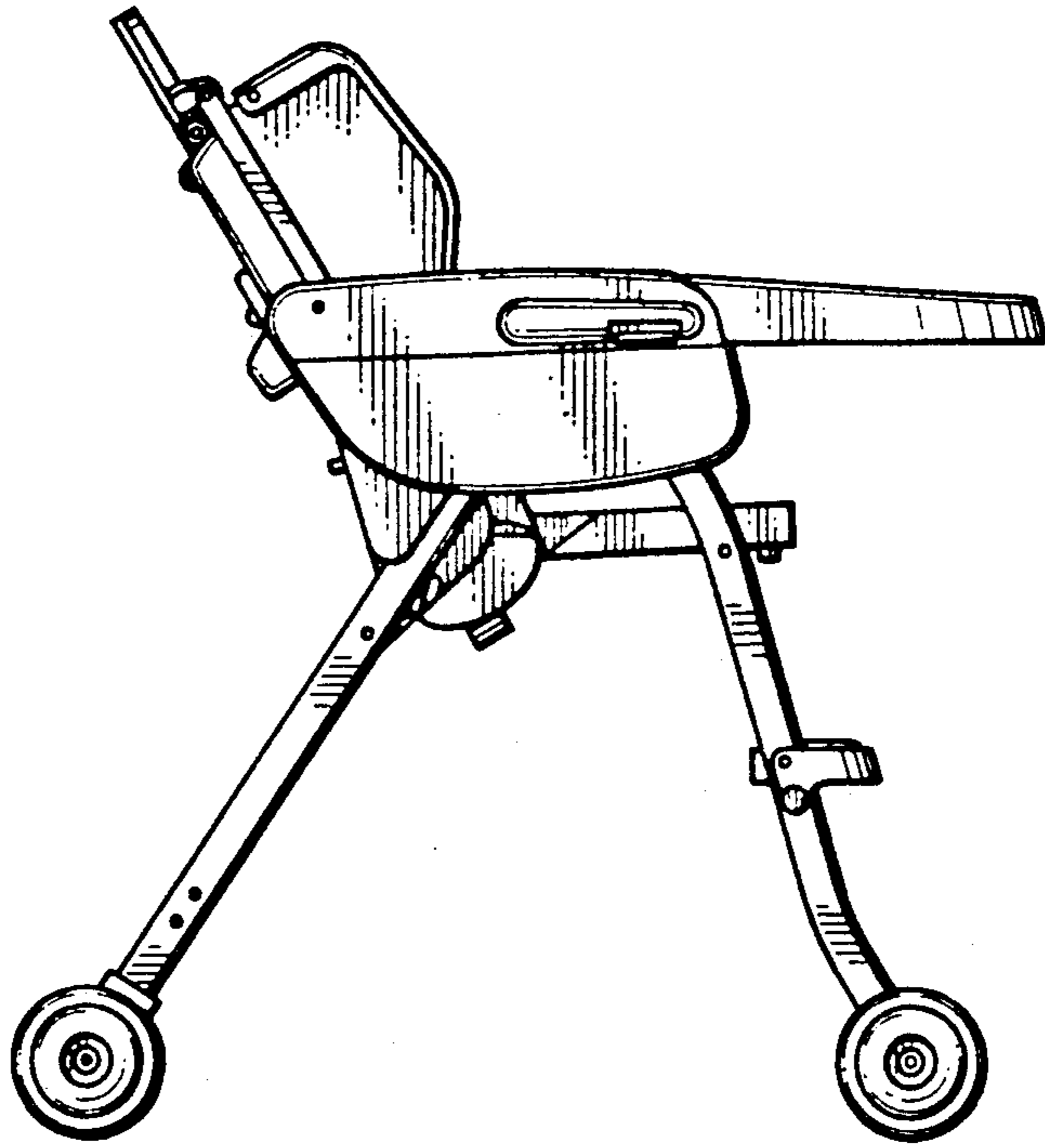


Fig. 7

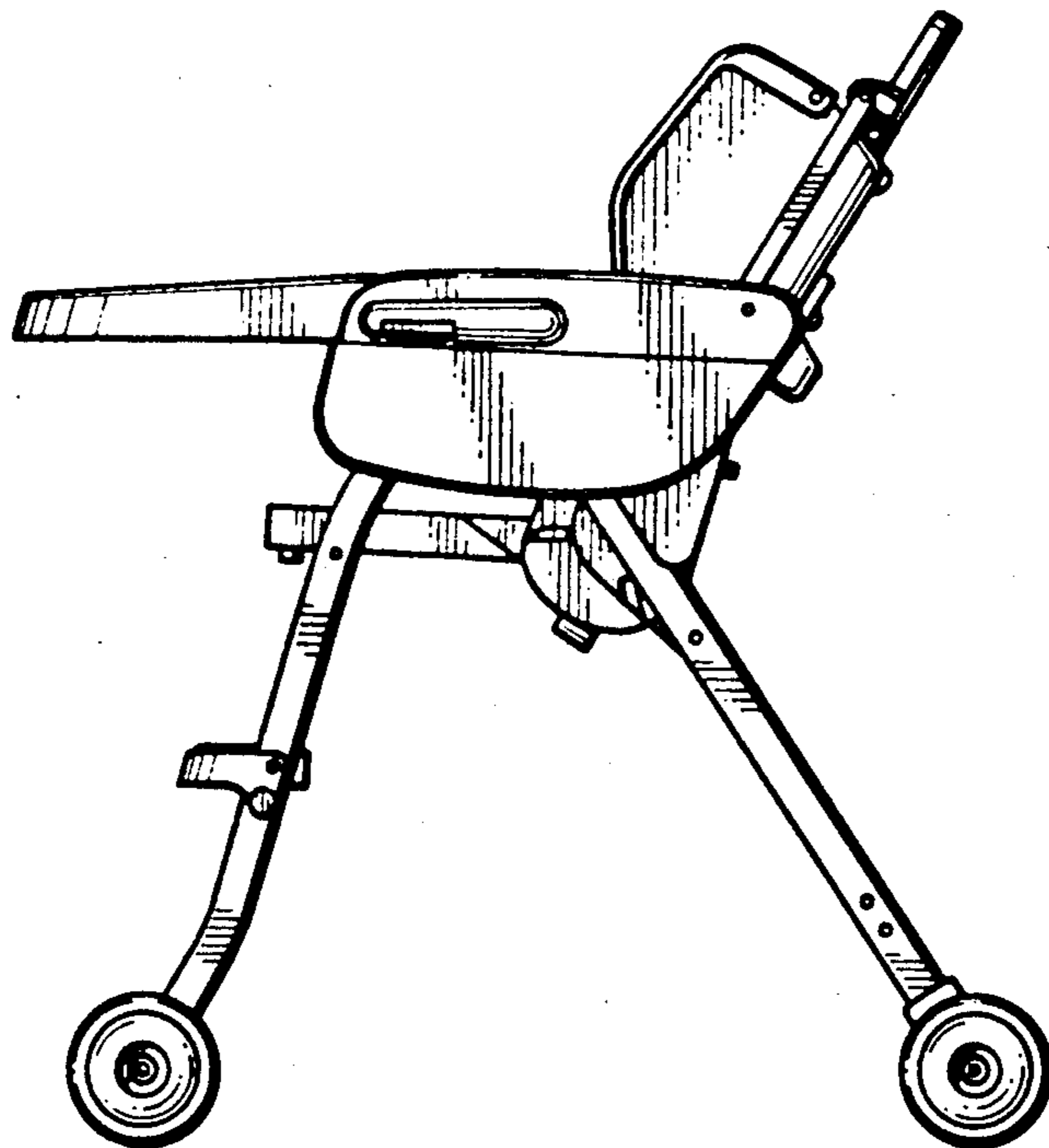


Fig. 8

