



US00D328191S

United States Patent [19]

[11] Patent Number: **Des. 328,191**

Reitz

[45] Date of Patent: **** Jul. 28, 1992**

[54] **CARPENTER'S TOOLS HOLDER**

[76] Inventor: **Kerry W. Reitz, 1035 Southern Artery #502, Quincy, Mass. 02169**

[**] Term: **14 Years**

[21] Appl. No.: **629,974**

[22] Filed: **Dec. 19, 1990**

[52] U.S. Cl. **D3/105**

[58] Field of Search **D3/105, 106, 100; 224/904, 248, 252, 253, 223**

[56] **References Cited**

U.S. PATENT DOCUMENTS

D. 246,487	11/1977	Waters	D3/105
D. 257,410	10/1980	Rink	D3/105
D. 319,147	8/1991	Eberle, III	D3/105
4,223,820	9/1980	Vorsanger et al.	224/904 X
4,819,847	4/1989	Anderson	224/904 X
4,986,459	1/1991	Yarbrough, Jr.	224/253

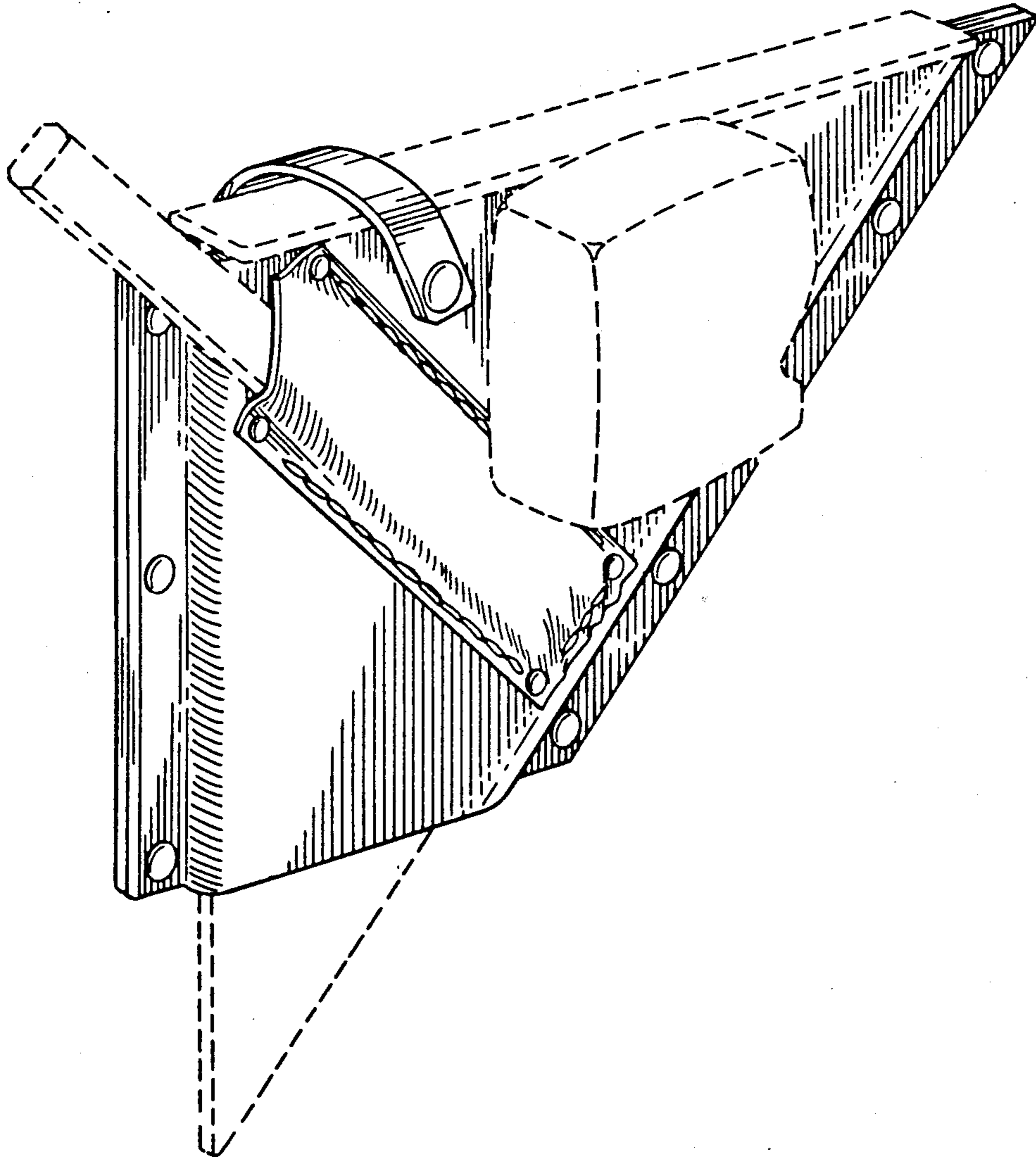
Primary Examiner—A. Hugo Word
Assistant Examiner—Doris V. Coles
Attorney, Agent, or Firm—Iandiorio & Dingman

[57] **CLAIM**

The ornamental design for a carpenter's tools holder, shown and described.

DESCRIPTION

FIG. 1 is a perspective view of a carpenter's tools holder, showing my new design; FIG. 2 is a front elevational view thereof; FIG. 3 is a right side elevational view thereof; FIG. 4 is a rear elevational view thereof; FIG. 5 is a left side elevational view thereof; FIG. 6 is a top plan view thereof; and, FIG. 7 is a bottom plan view thereof. The broken line showing of carpenter's tools in FIGS. 1 and 6 is for illustrative purposes only and forms no part of the claimed design.



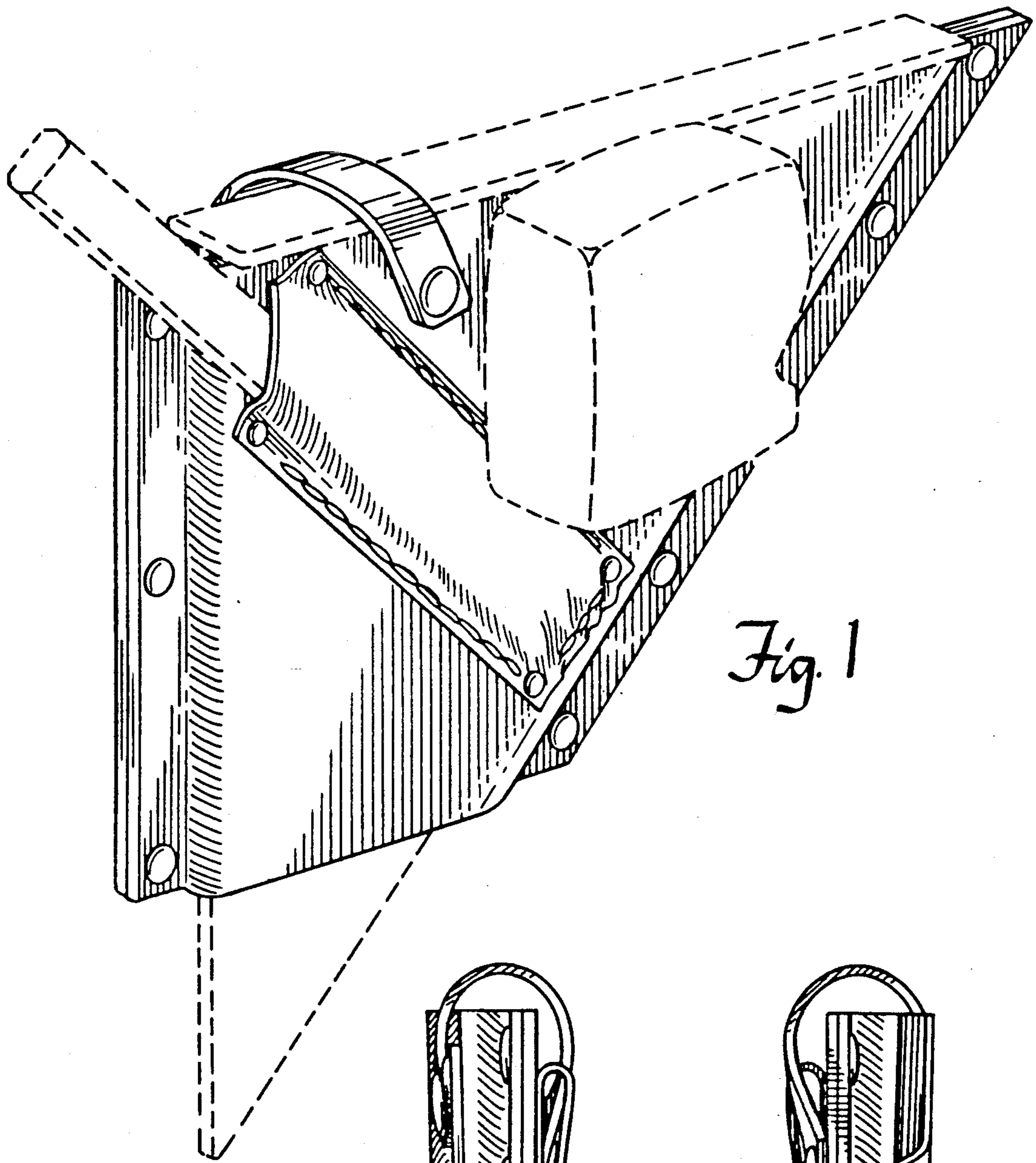


Fig. 1

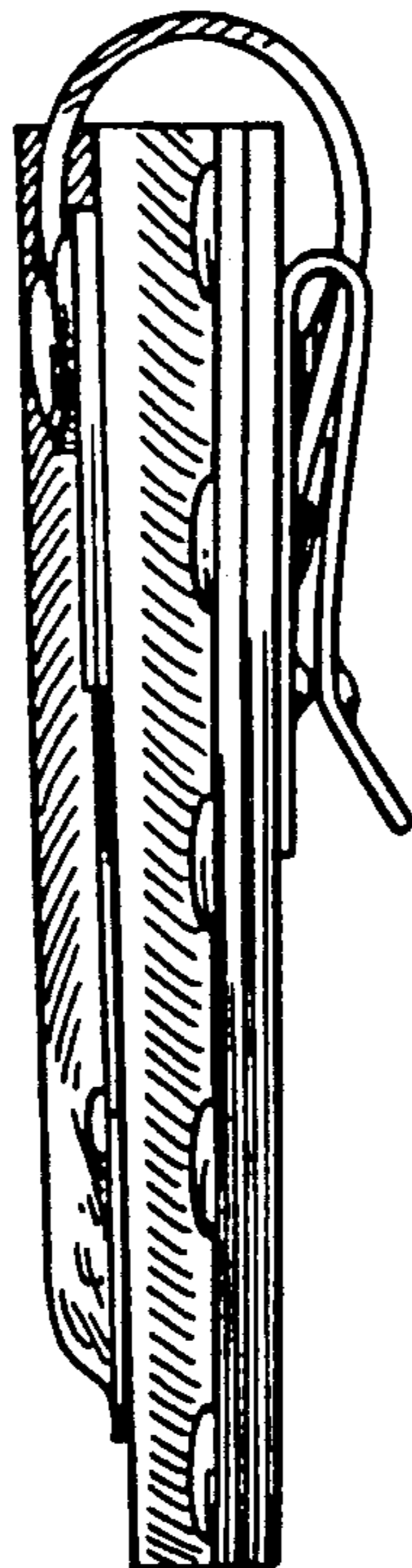


Fig. 3

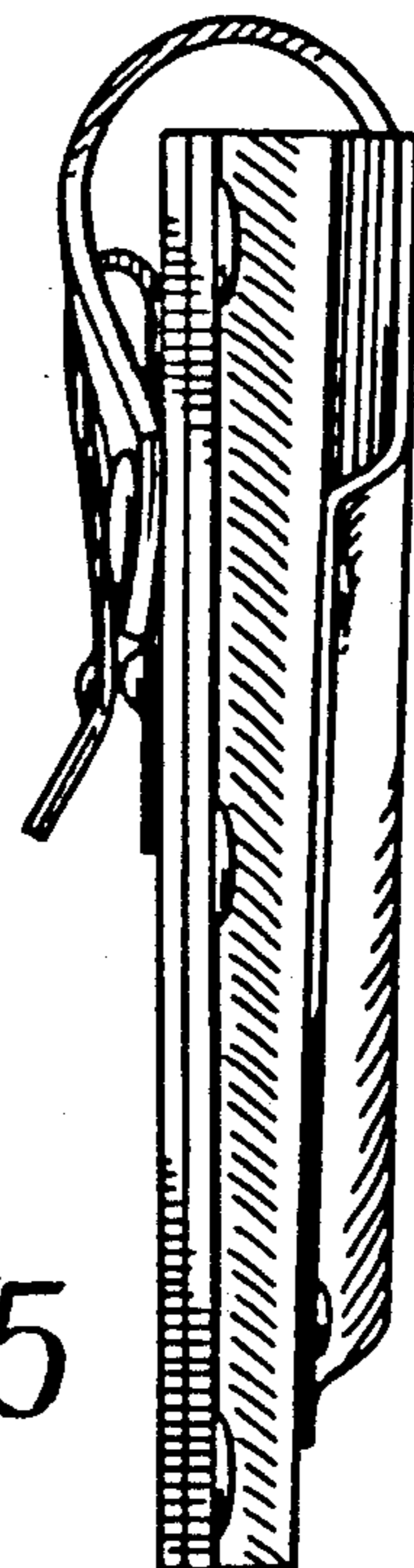


Fig. 5

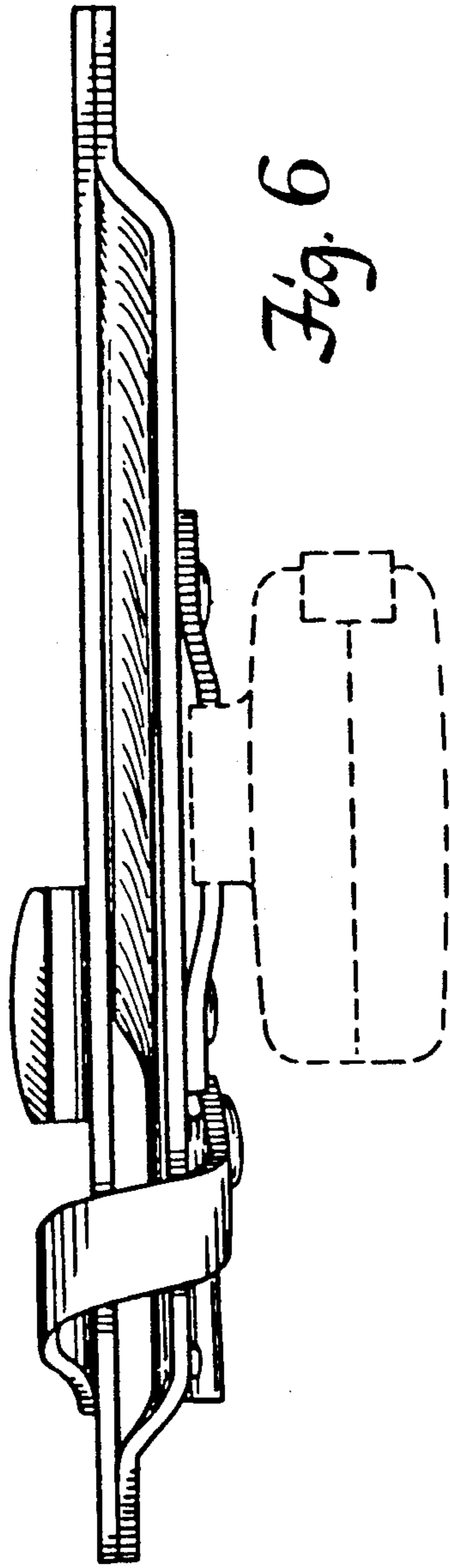


Fig. 6

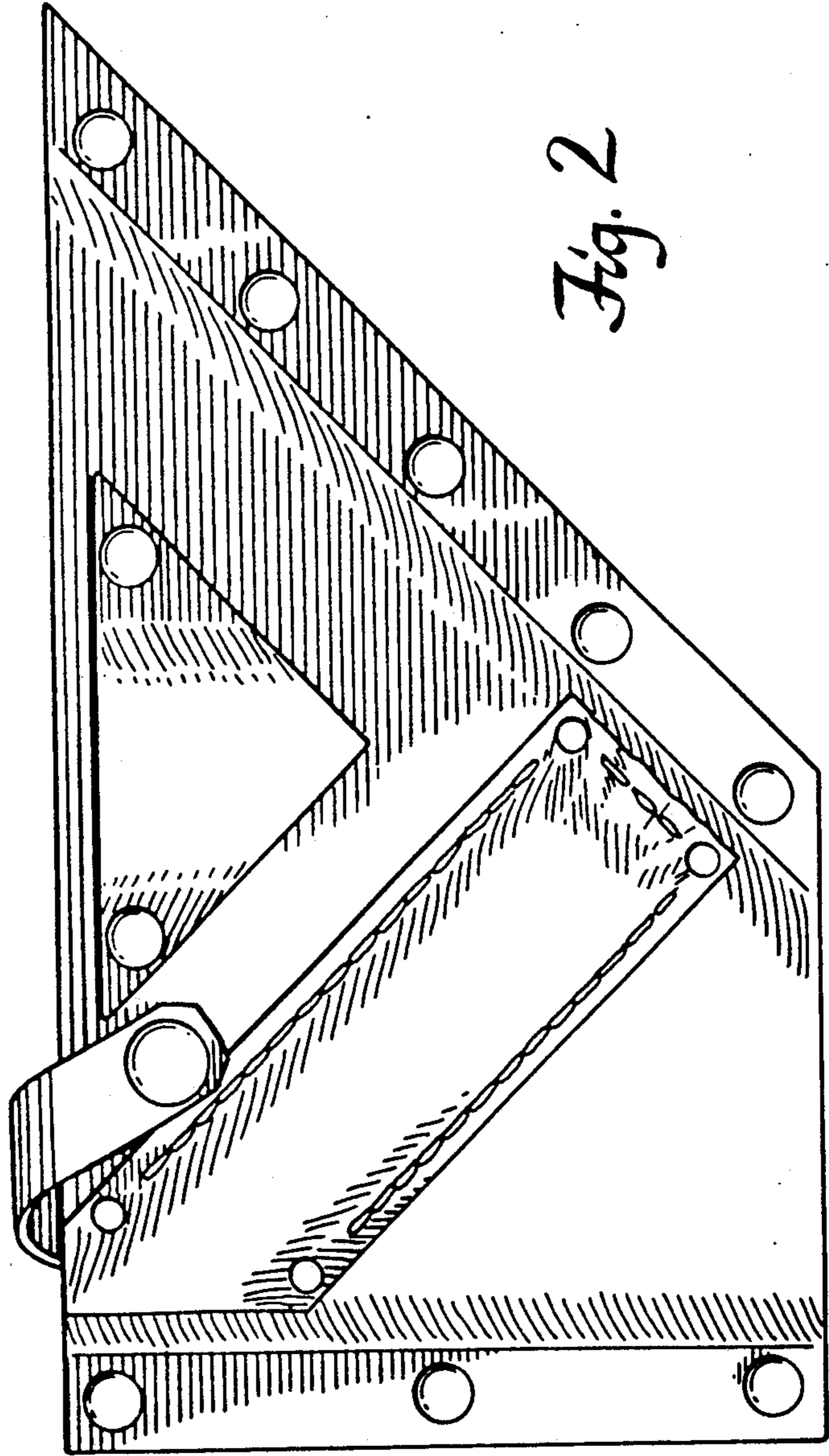


Fig. 2

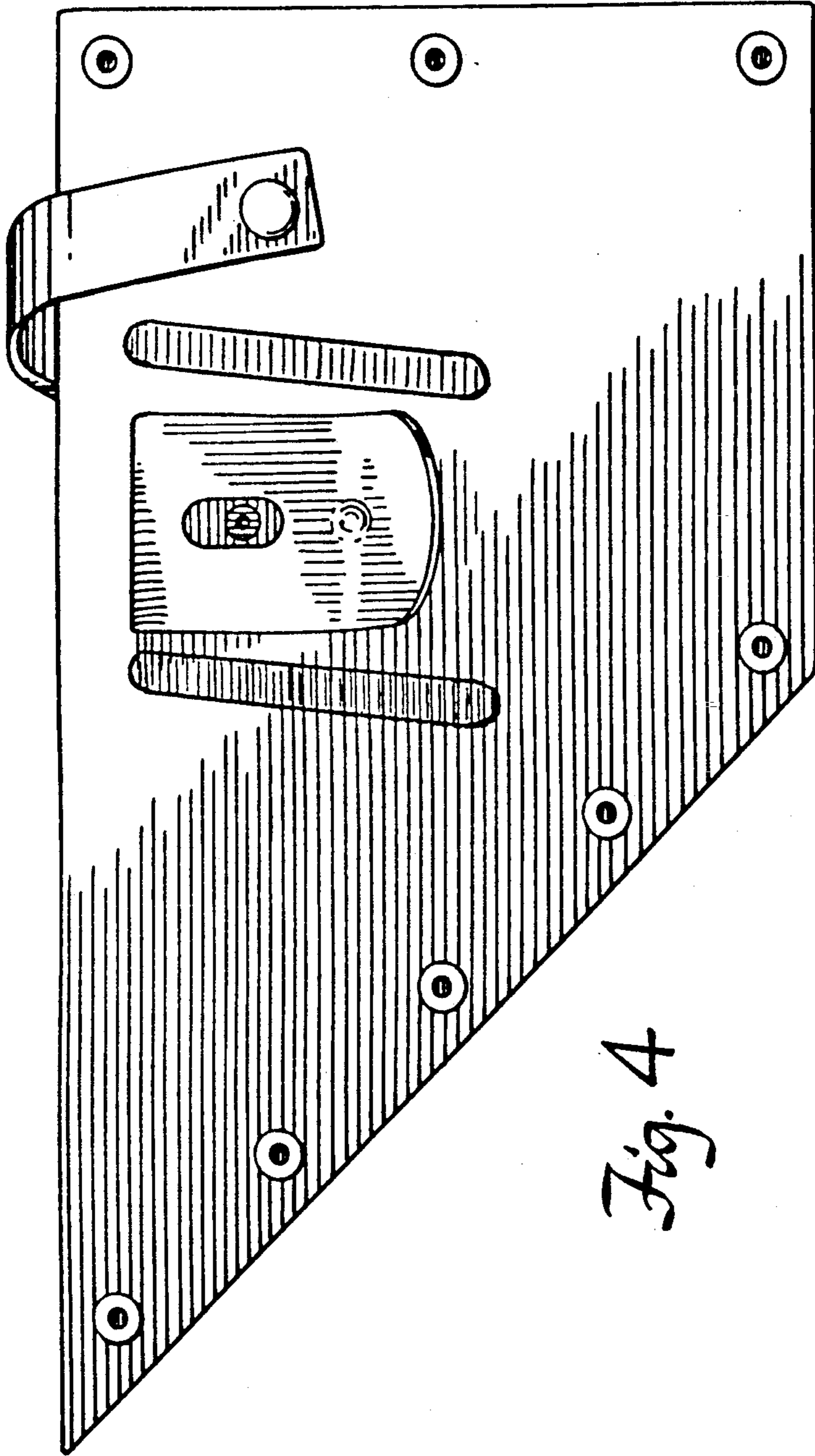


Fig. 4

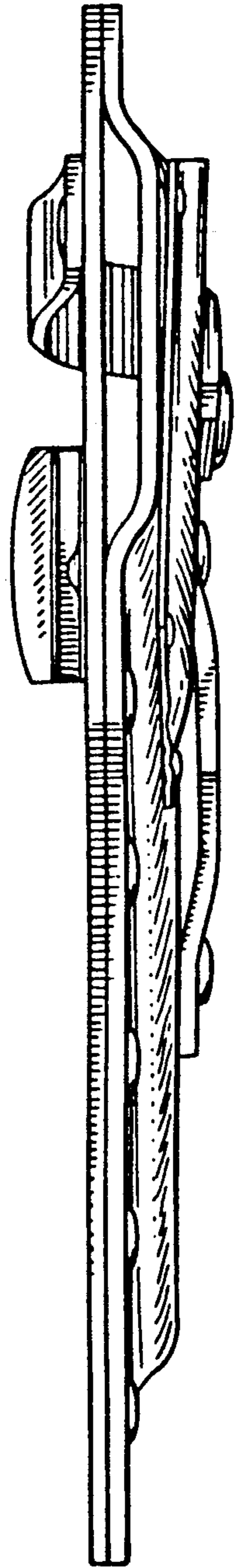


Fig. 7