



US00D328187S

# United States Patent [19]

[11] Patent Number: **Des. 328,187**

Saurette

[45] Date of Patent: **\*\* Jul. 28, 1992**

[54] BAG HANDLE

[76] Inventor: Yves Saurette, 2660 Labonté,  
Longueuil Québec J4L 2J4, Canada

[\*\*] Term: **14 Years**

[21] Appl. No.: **457,098**

[22] Filed: **Dec. 26, 1989**

[52] U.S. Cl. .... **D3/54; D8/395;  
D3/99; D25/123**

[58] Field of Search ..... **D3/54, 99, 30.1, 42;  
383/6, 7, 42, 25, 8; D9/499, 434, 443; D8/395,  
316; D11/215; D25/119, 121, 122, 123, 124,  
125; 248/914; 49/460, 462; 40/1.5; 16/DIG.  
24, DIG. 25; 24/563, 545, 30.52; 404/40, 47;  
294/137**

[56] **References Cited**

### U.S. PATENT DOCUMENTS

D. 106,110	9/1937	Farnic	.....	D9/443
D. 121,951	8/1940	Coblentz	.....	D3/54
D. 305,297	1/1990	O'Neill	.....	D8/395 X
3,310,928	3/1967	Weimar	.....	D25/121 X

3,388,643	6/1968	Webb	.....	404/40 X
4,098,014	7/1978	Lauer et al.	.....	40/1.5
4,493,127	1/1985	Blanke, Jr. et al.	.....	16/DIG. 24 X
4,563,796	1/1986	Kettlestrings	.....	24/563
4,934,540	6/1990	Novak	.....	24/563 X

### FOREIGN PATENT DOCUMENTS

2428834	1/1976	Fed. Rep. of Germany	.....	383/25
451800	5/1968	Sweden	.....	383/6

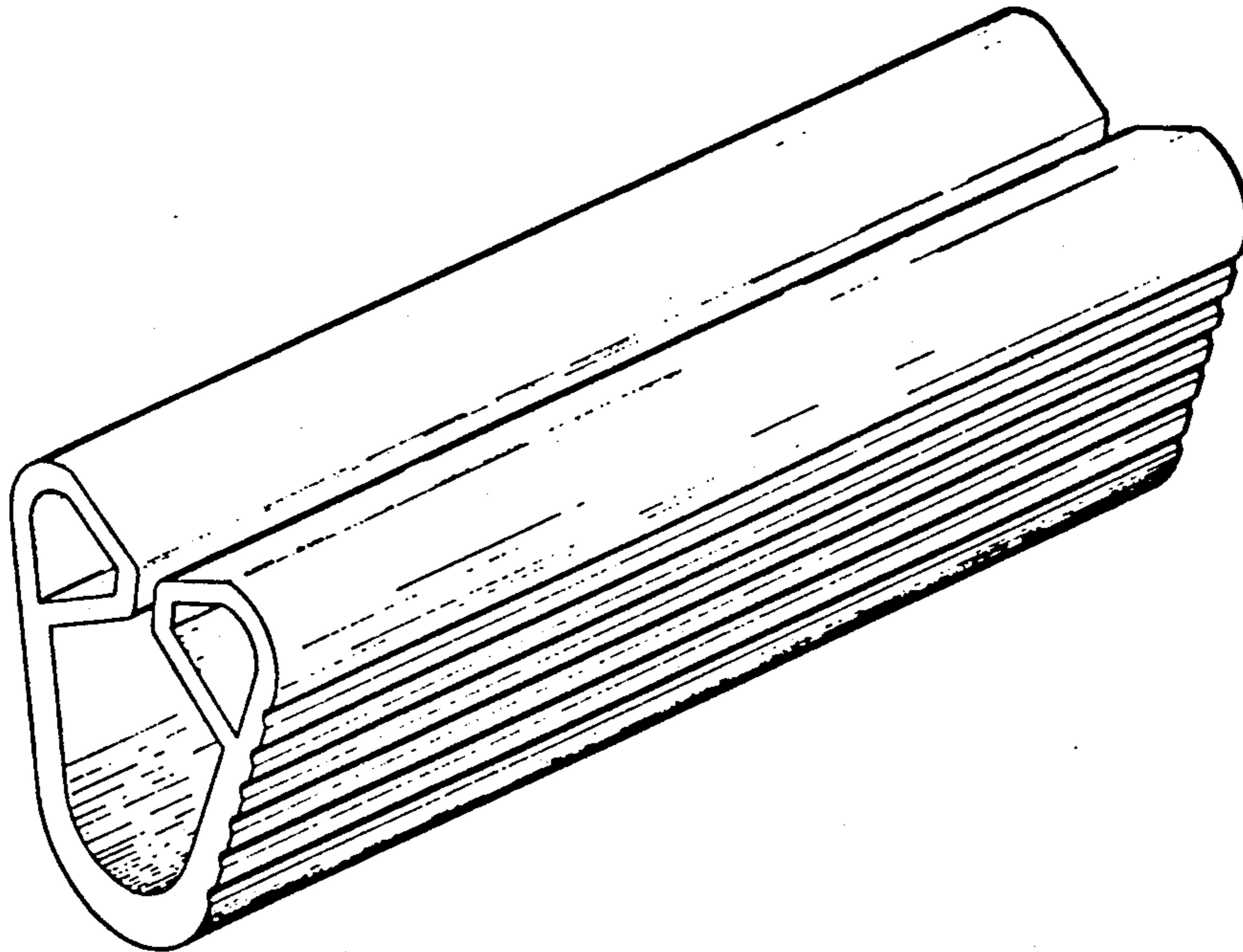
*Primary Examiner*—A. Hugo Word  
*Assistant Examiner*—M. N. Pandozzi

### [57] CLAIM

The ornamental design for a bag handle, as shown and described.

### DESCRIPTION

FIG. 1 is a top, rear, left perspective view of a bag handle showing my new design;  
FIG. 2 is a top, front, left perspective view thereof;  
FIG. 3 is a left side elevational view, the right side being a mirror image thereof; and,  
FIG. 4 is a left side elevational view of a bag handle showing a second embodiment of my new design, the right side being a mirror image thereof.



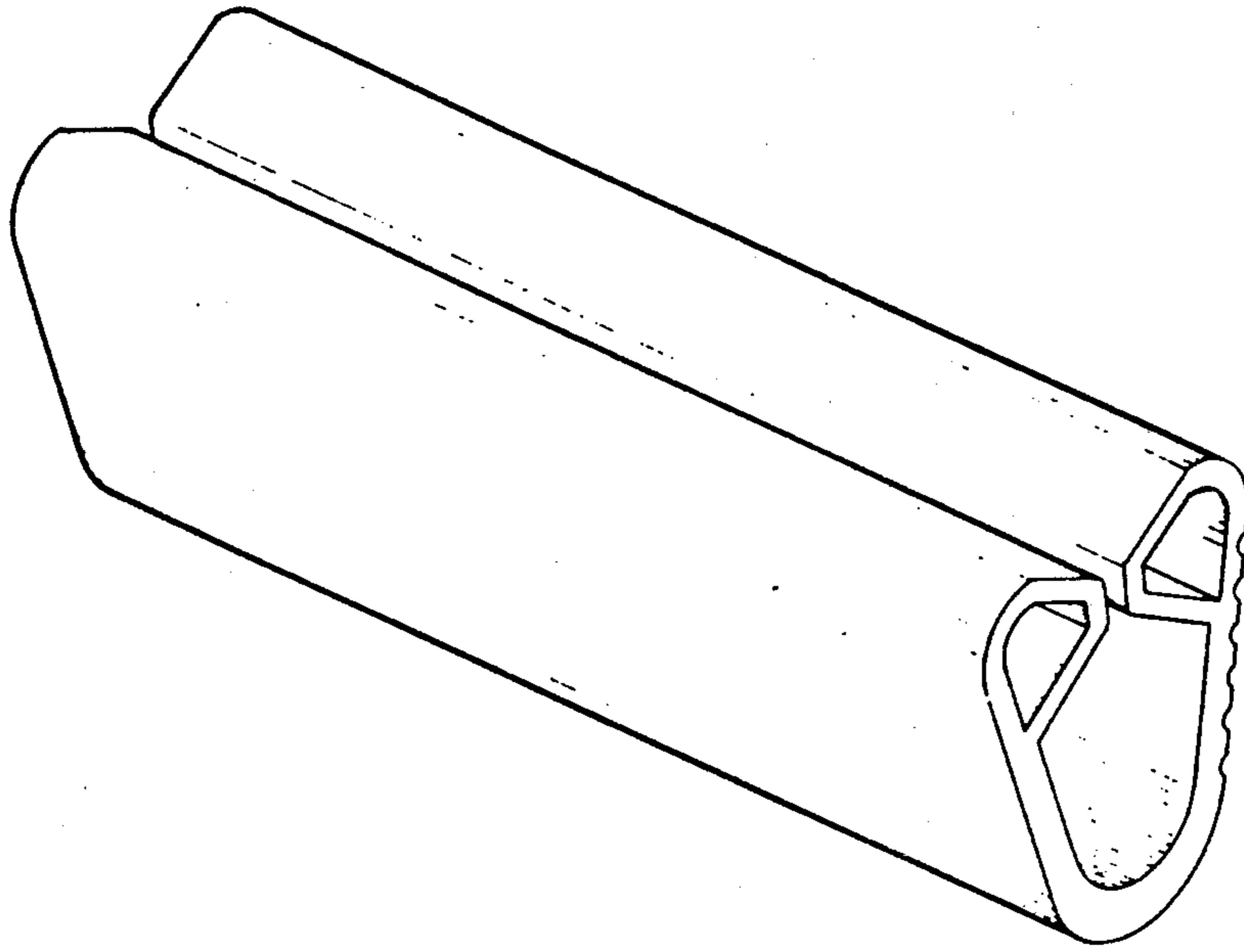


FIG. 1

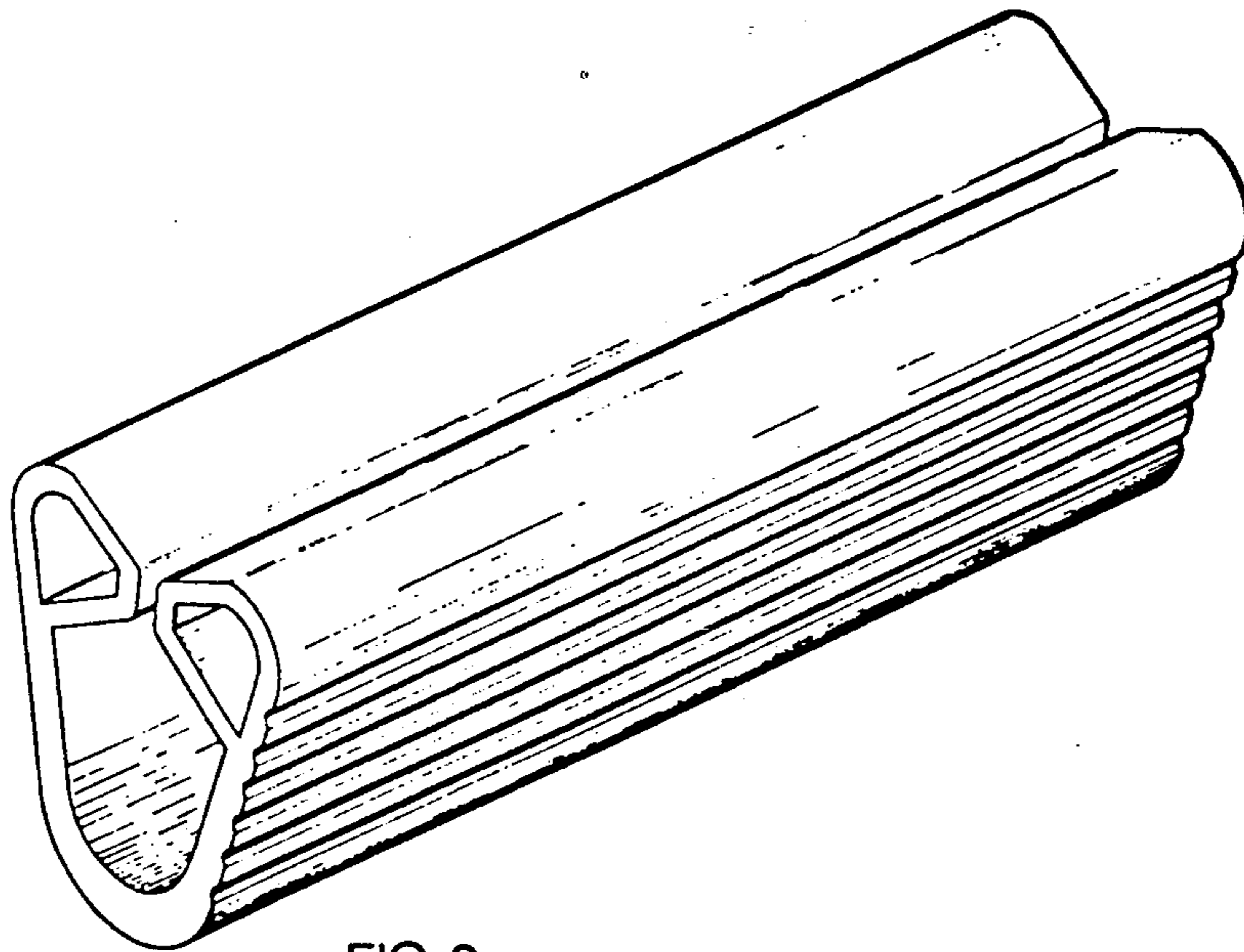


FIG. 2

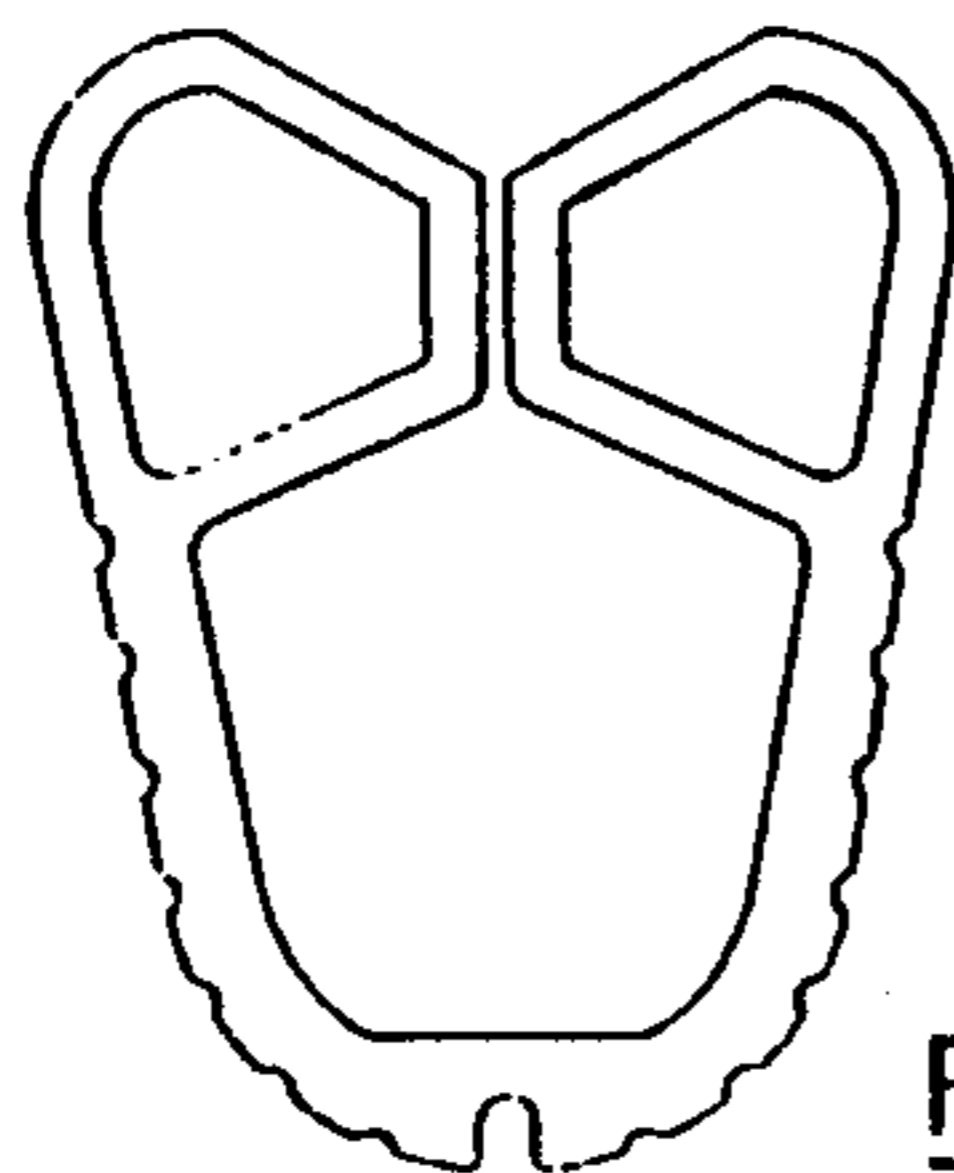


FIG. 4

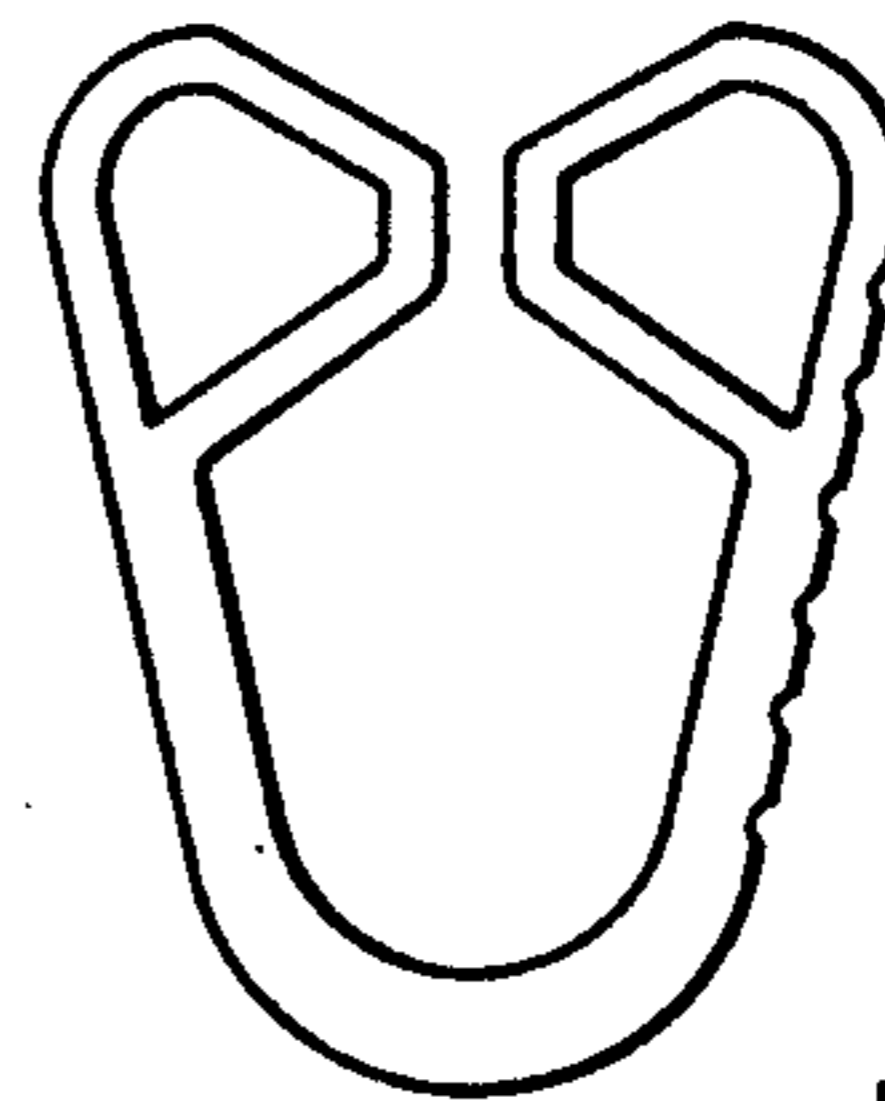


FIG. 3