



US00D328186S

United States Patent [19]

[11] Patent Number: Des. 328,186

Hanke

[45] Date of Patent: ** Jul. 28, 1992

[54] SHOULDER CARRYING STRAP FOR A BAG

[56]

References Cited

U.S. PATENT DOCUMENTS

[75] Inventor: Rudolph Hanke, Monheim, Fed. Rep. of Germany

D. 127,109	5/1941	Green	D3/54
D. 304,882	12/1989	Kawaguchi	D3/54
2,608,326	8/1952	Spector	D3/54 X
3,912,141	10/1975	Appel	150/108

[73] Assignee: Hamaphot KG Hanke & Thomas, Fed. Rep. of Germany

Primary Examiner—Louis S. Zarfes
Attorney, Agent, or Firm—Hill, Van Santen, Steadman & Simpson

[**] Term: 14 Years

[57] CLAIM

[21] Appl. No.: 507,512

The ornamental design for a shoulder carrying strap for a bag, as shown and described.

[22] Filed: Apr. 11, 1990

DESCRIPTION

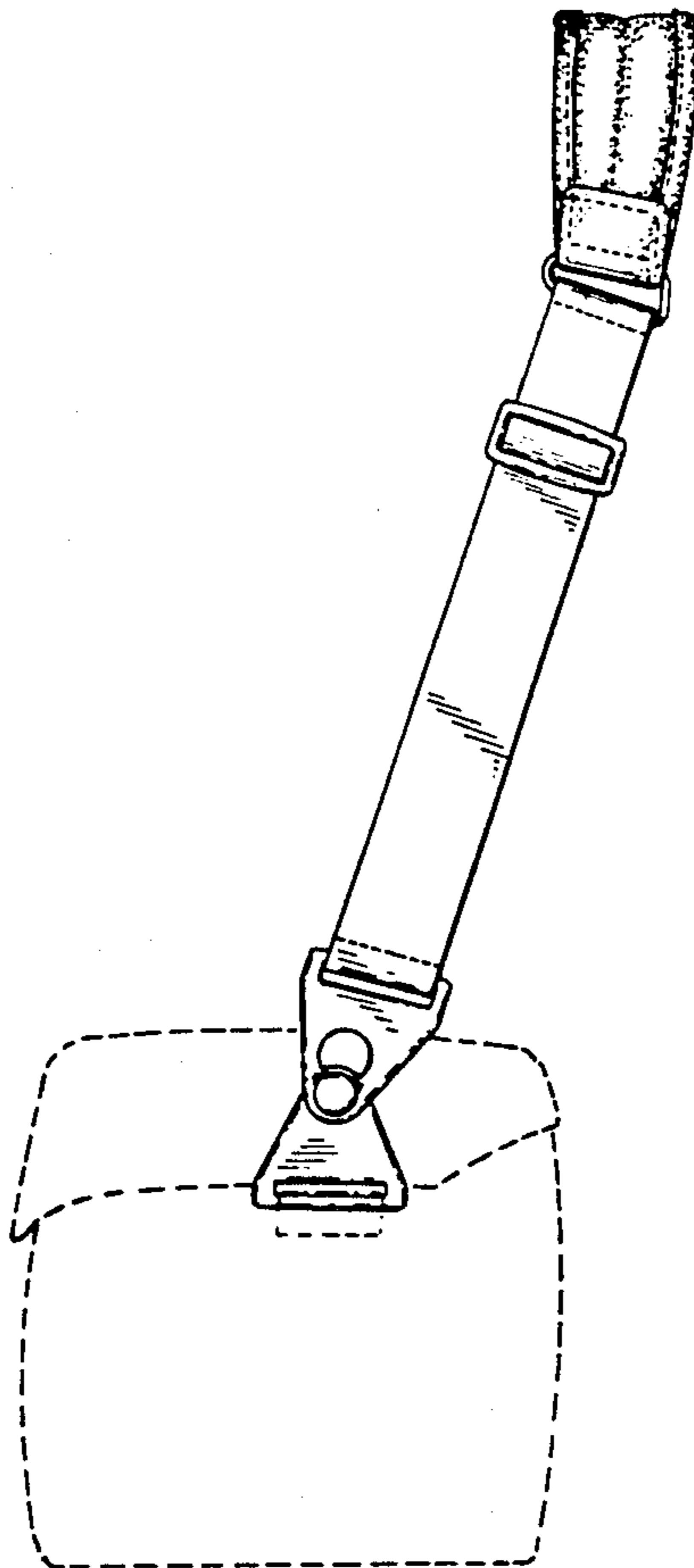
[30] Foreign Application Priority Data

Oct. 23, 1989 [DE] Fed. Rep. of Germany M8907353.3

FIG. 1 is a left side elevational view of a shoulder carrying strap for a bag showing my new design;
 FIG. 2 is a bottom plan view of the shoulder carrying strap of FIG. 1;
 FIG. 3 is a front elevational view thereof;
 FIG. 4 is a rear elevational view thereof;
 FIG. 5 is a top plan view of the shoulder carrying strap of FIG. 1; and,
 FIG. 6 is a partial cross sectional view taken along the lines VI—VI showing a tapering thickness of a shoulder portion of the strap.

[52] U.S. Cl. D3/54

[58] Field of Search D3/41-46, D3/48-54, 74-79; 150/100, 103-108, 110-113, 117-119; 190/1, 100, 115, 107-112; 353/4, 6-8, 37, 38, 41, 42, 71, 72, 75, 901



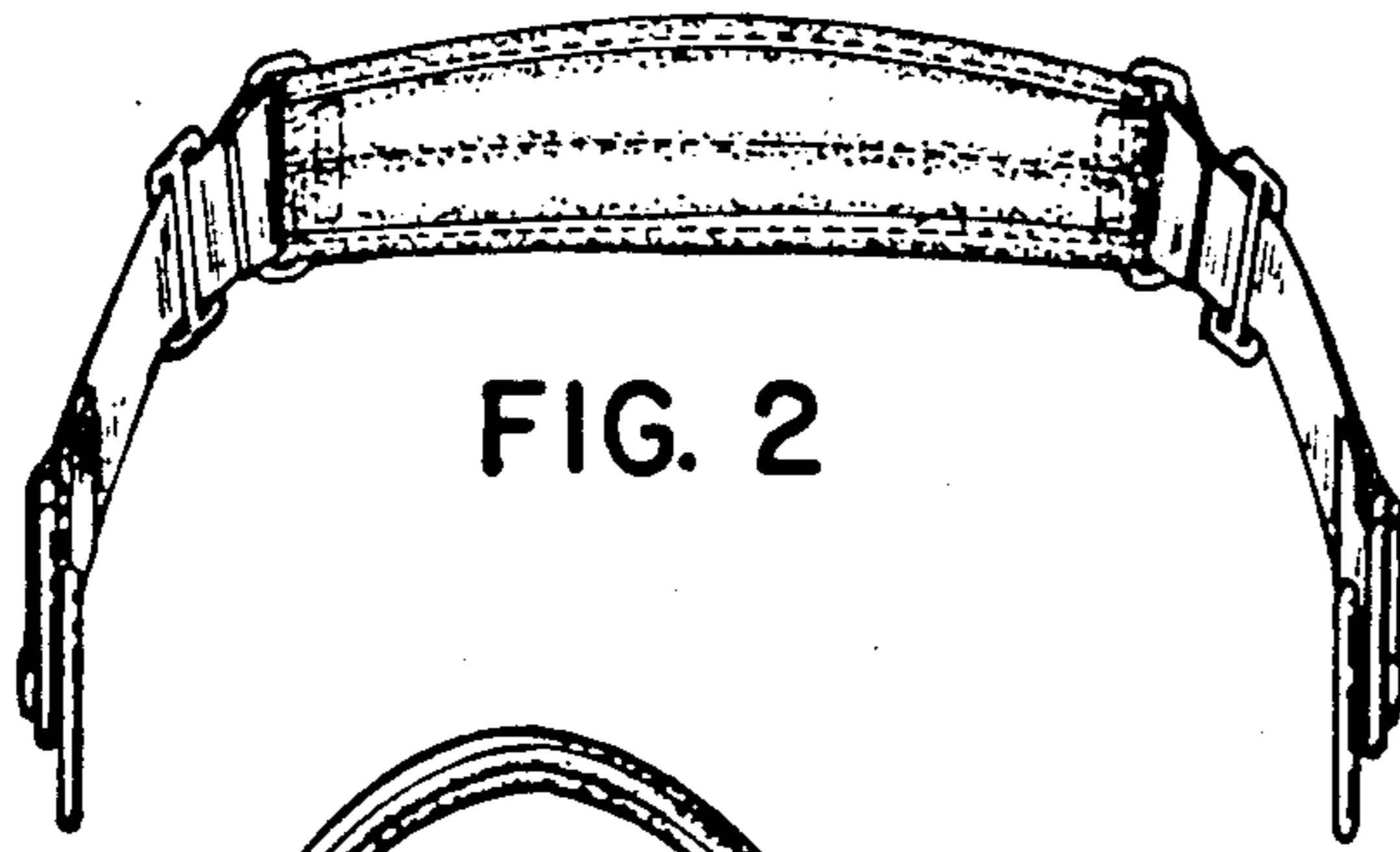


FIG. 2

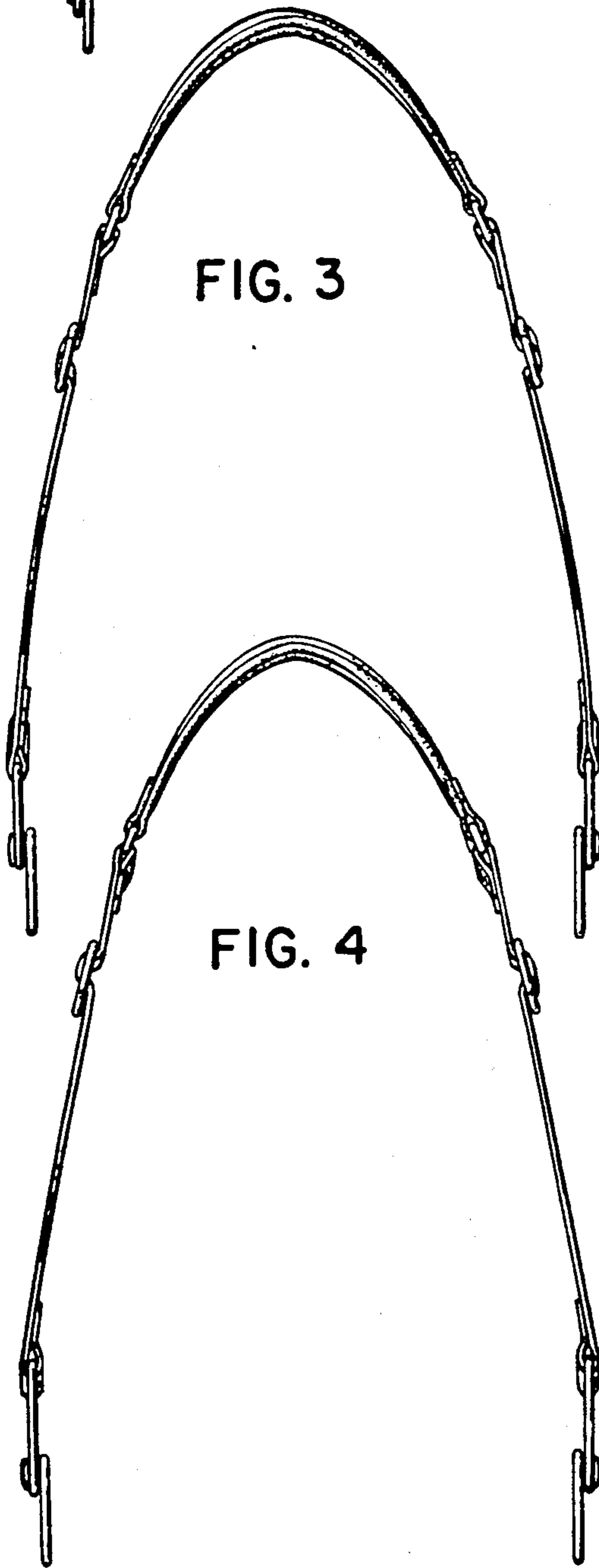


FIG. 3

FIG. 4

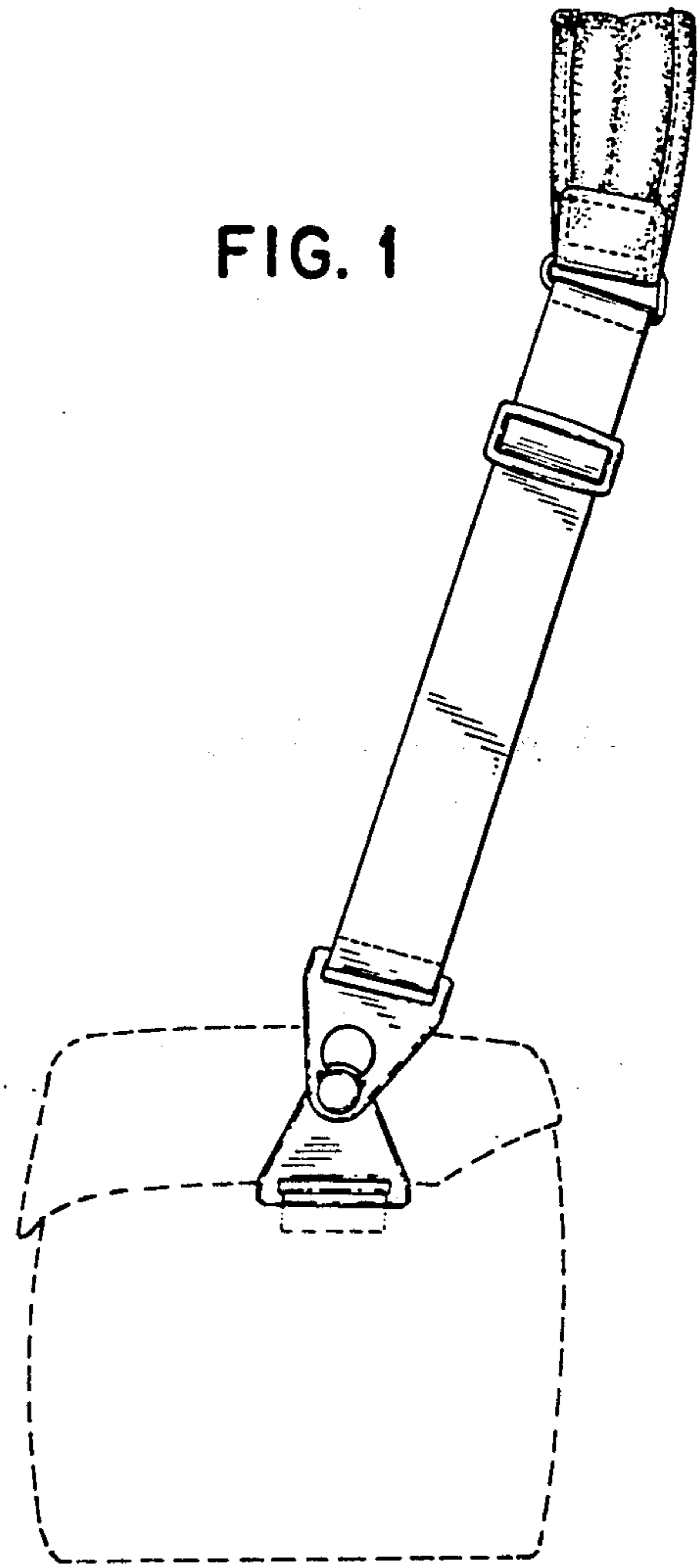
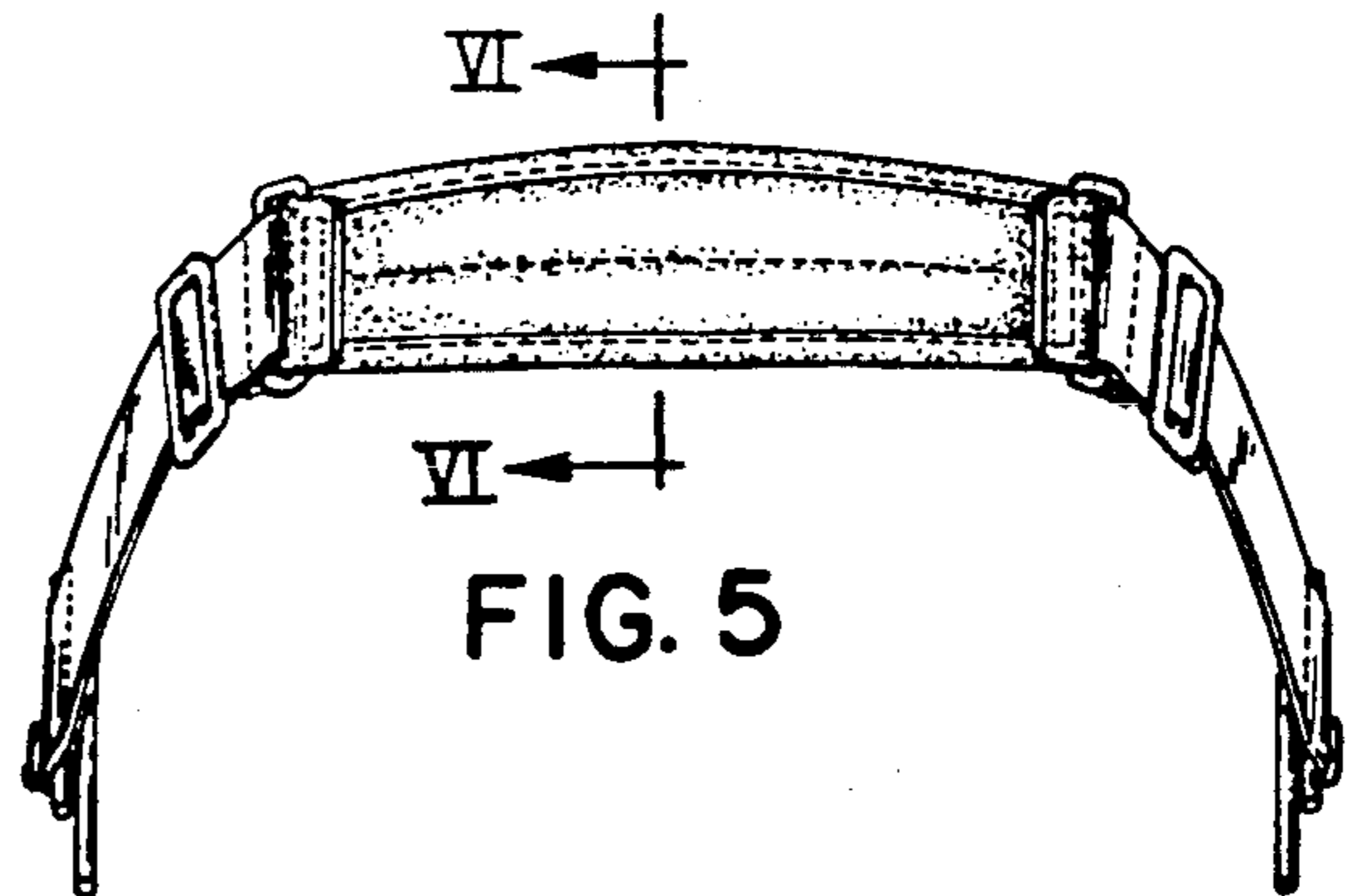


FIG. 1



VI ←

FIG. 5



FIG. 6