



US00D328182S

United States Patent [19]

[11] Patent Number: **Des. 328,182**

Lo

[45] Date of Patent: **** Jul. 28, 1992**

[54] UMBRELLA

4,274,429 6/1981 Kinski 135/20.1

[76] Inventor: **Hon W. Lo, 9/F., Flat 'E' Sui Sing
Comm. Bldg., 202-204 Cheung Sha
Wan Road, Kowloon, Hong Kong**

FOREIGN PATENT DOCUMENTS

521616 12/1957 Italy 135/20.1

[**] Term: **14 Years**

*Primary Examiner—Louis S. Zarfes
Attorney, Agent, or Firm—Kalish & Gilster*

[21] Appl. No.: **625,597**

[57] CLAIM

[22] Filed: **Dec. 11, 1990**

The ornamental design for an umbrella, as described and shown.

[52] U.S. Cl. **D3/5**

[58] Field of Search **D3/1-17;
D26/28; 362/102; 135/15.1, 16-19.5, 20.1,
20.3, 22-24, 25.1, 25.4, 25.41, 65, 66**

DESCRIPTION

FIG. 1 is a front elevational view of an umbrella showing my new design;

FIG. 2 is a rear elevational view thereof;

FIG. 3 is a left side elevational view thereof;

FIG. 4 is a right side elevational view thereof;

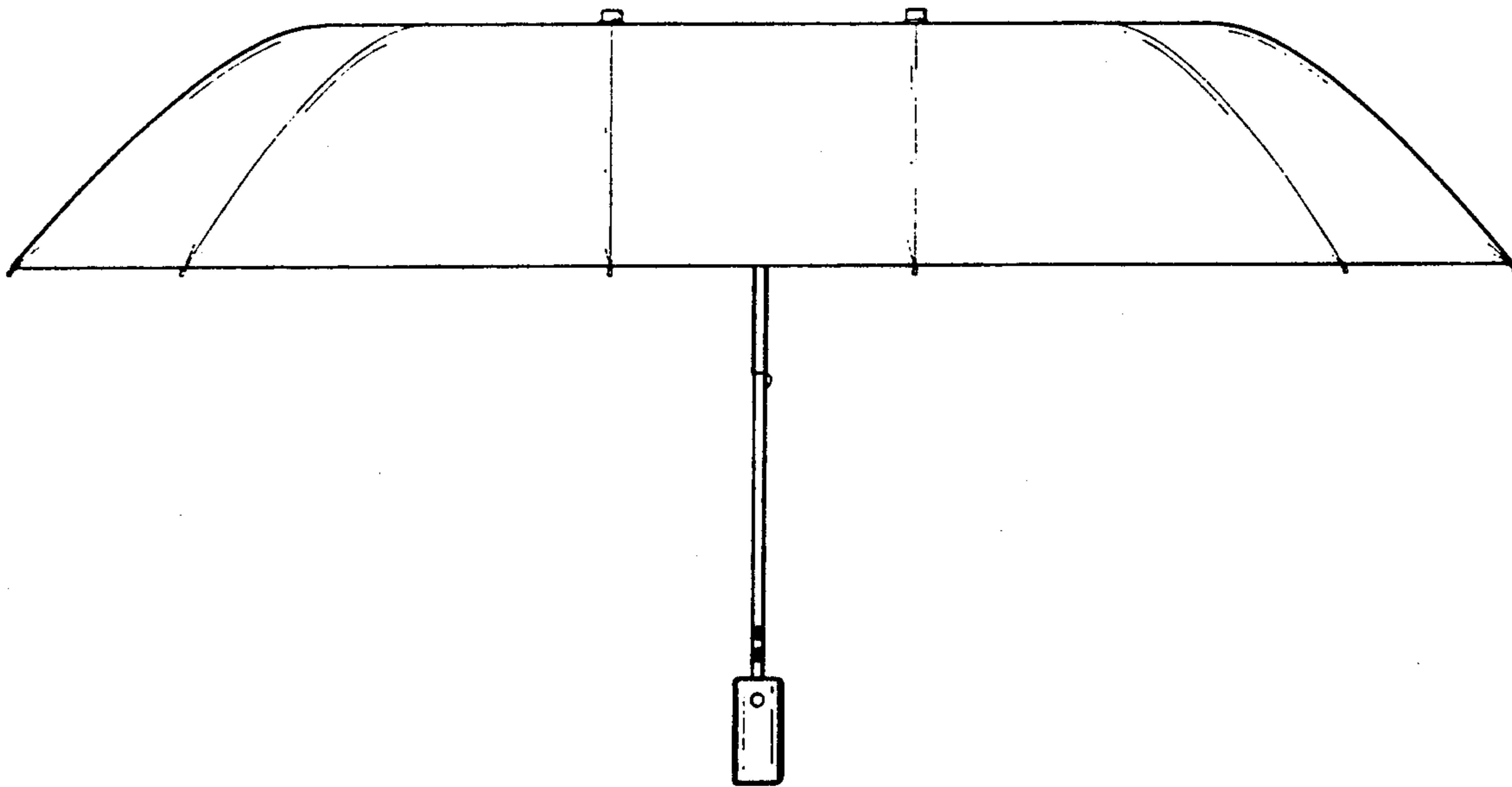
FIG. 5 is a top plan view thereof; and,

FIG. 6 is a bottom plan view thereof.

[56] References Cited

U.S. PATENT DOCUMENTS

D. 56,043 8/1920 Weinberg et al. D3/5
3,464,431 9/1969 Loeffler D3/5 X



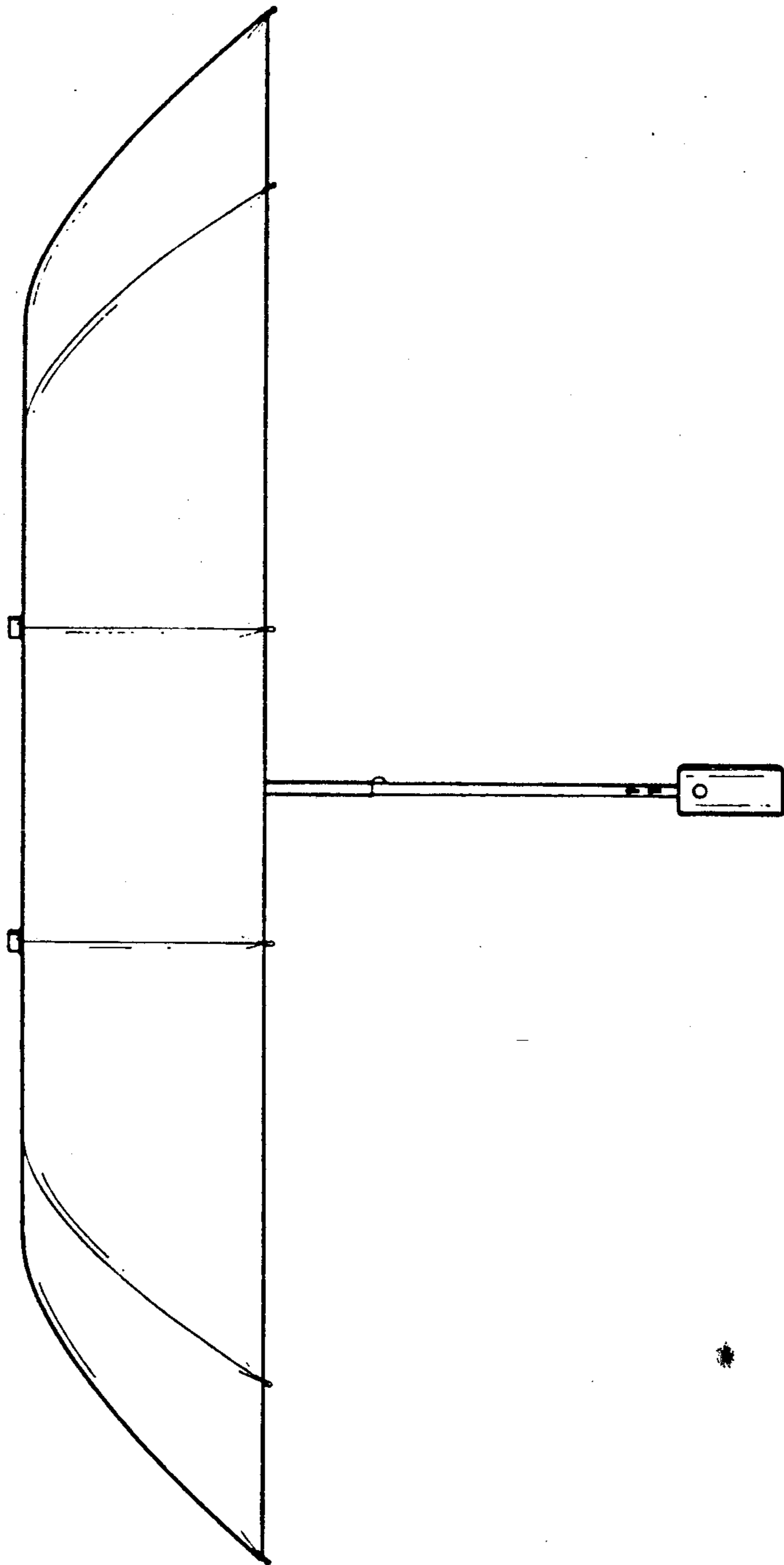


FIG. 1

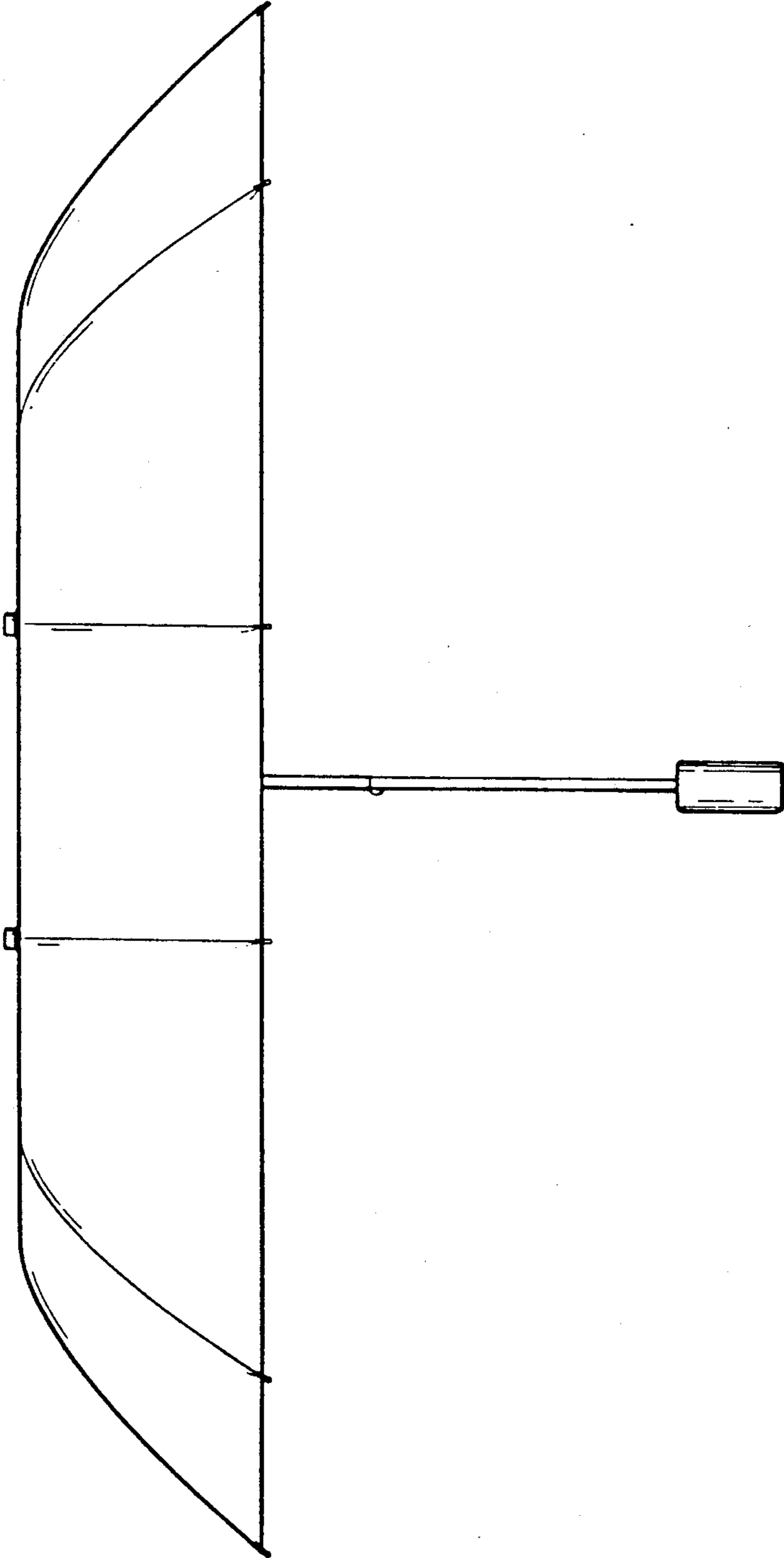


FIG. 2

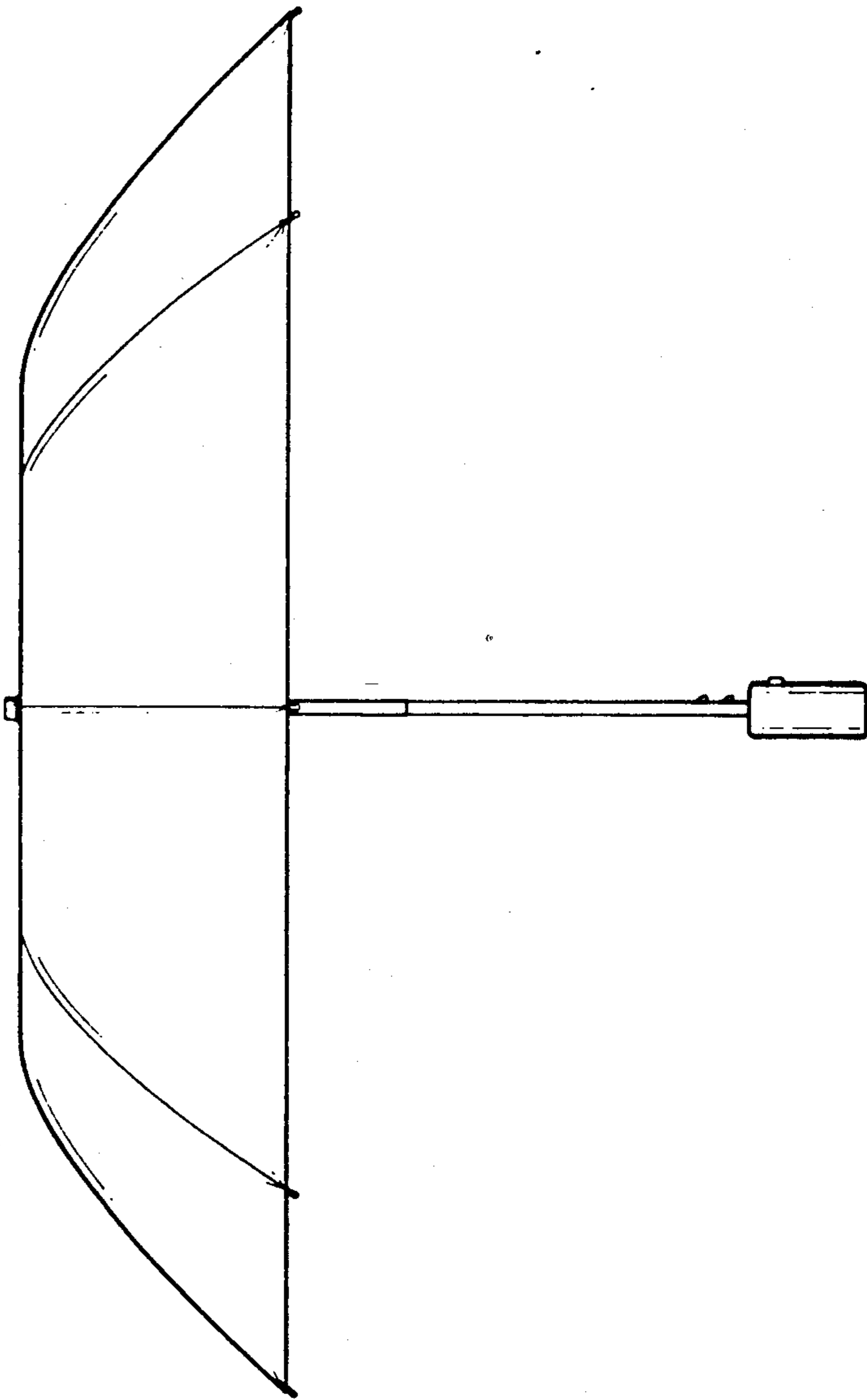


FIG. 3

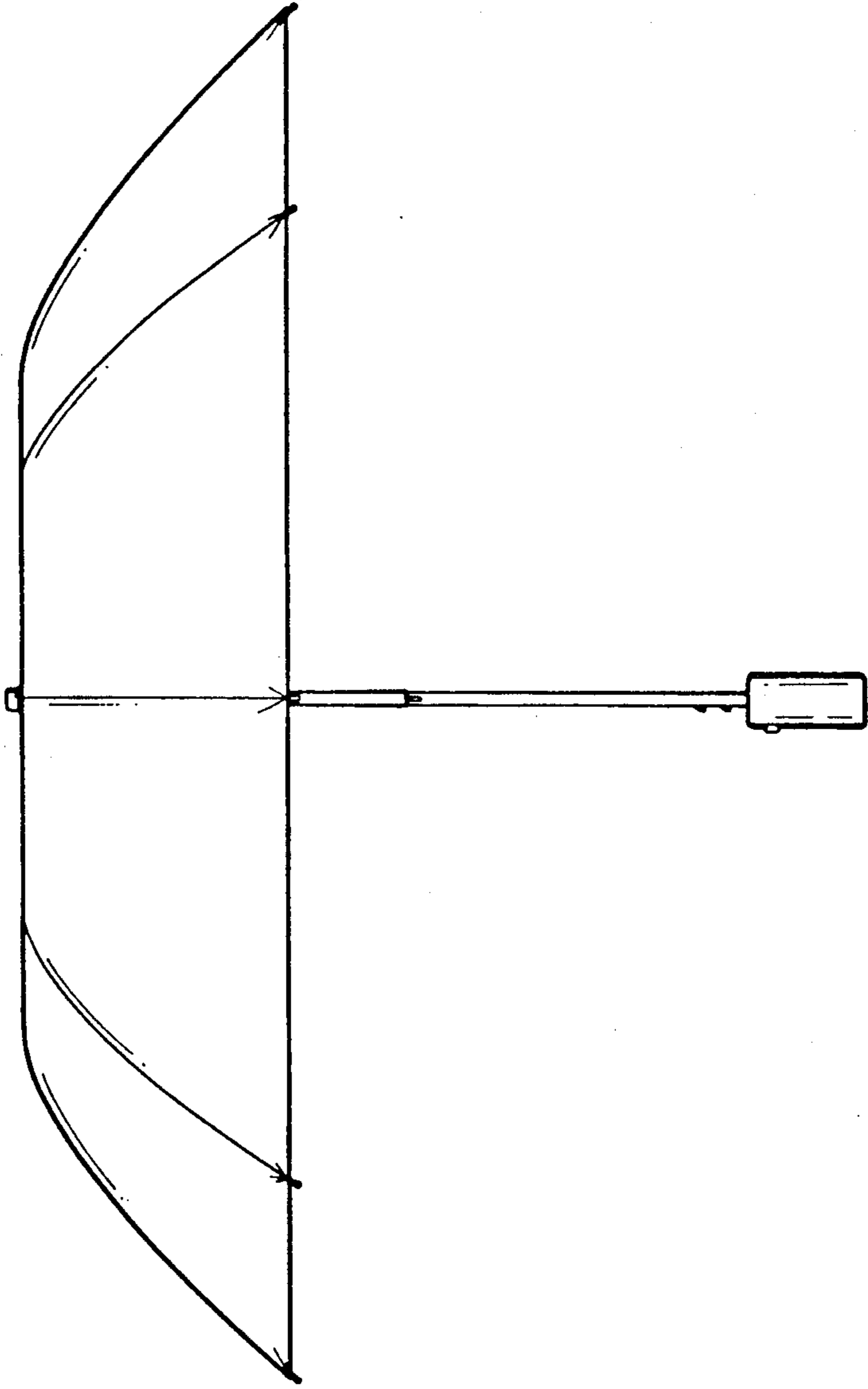


FIG. 4

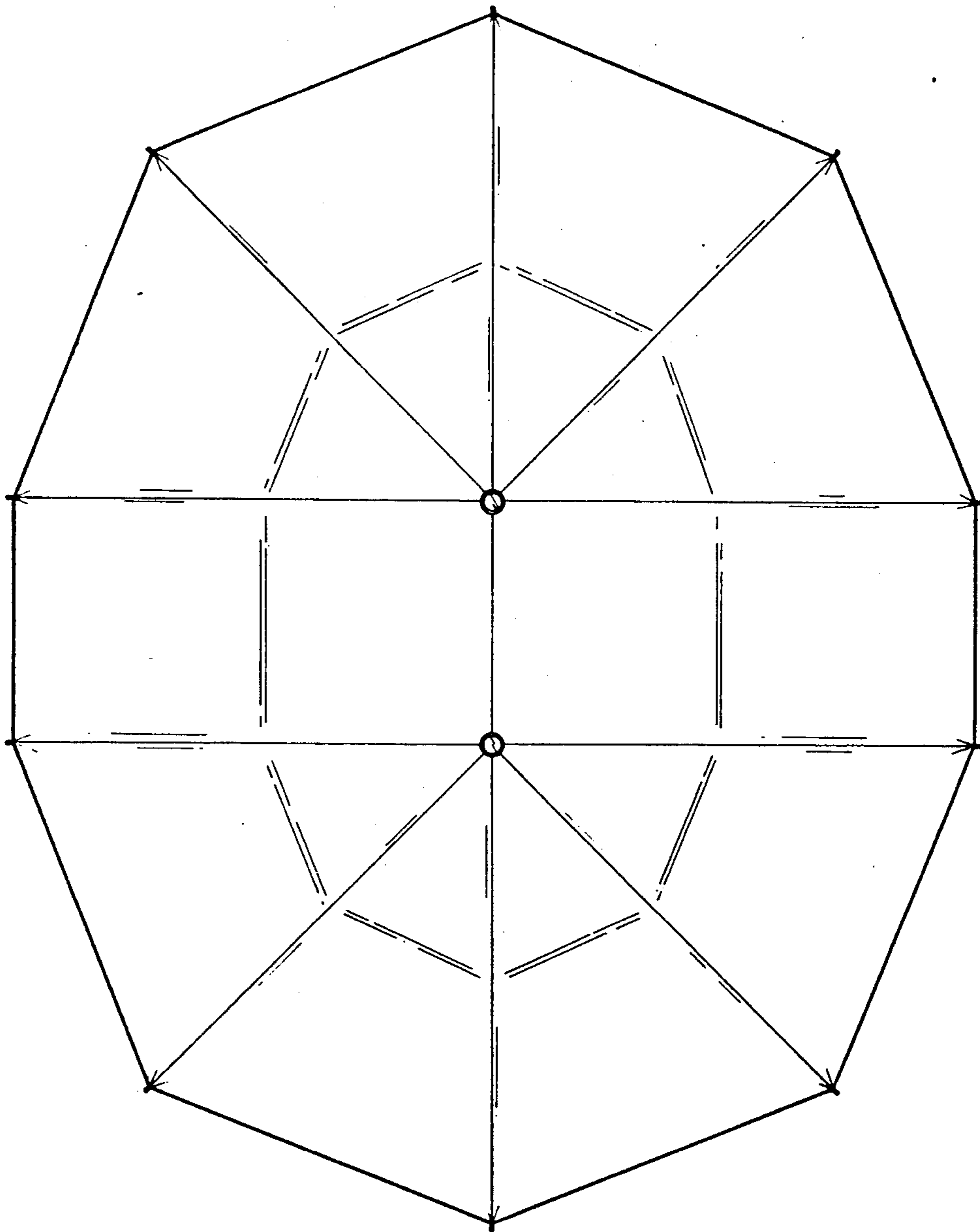


FIG. 5

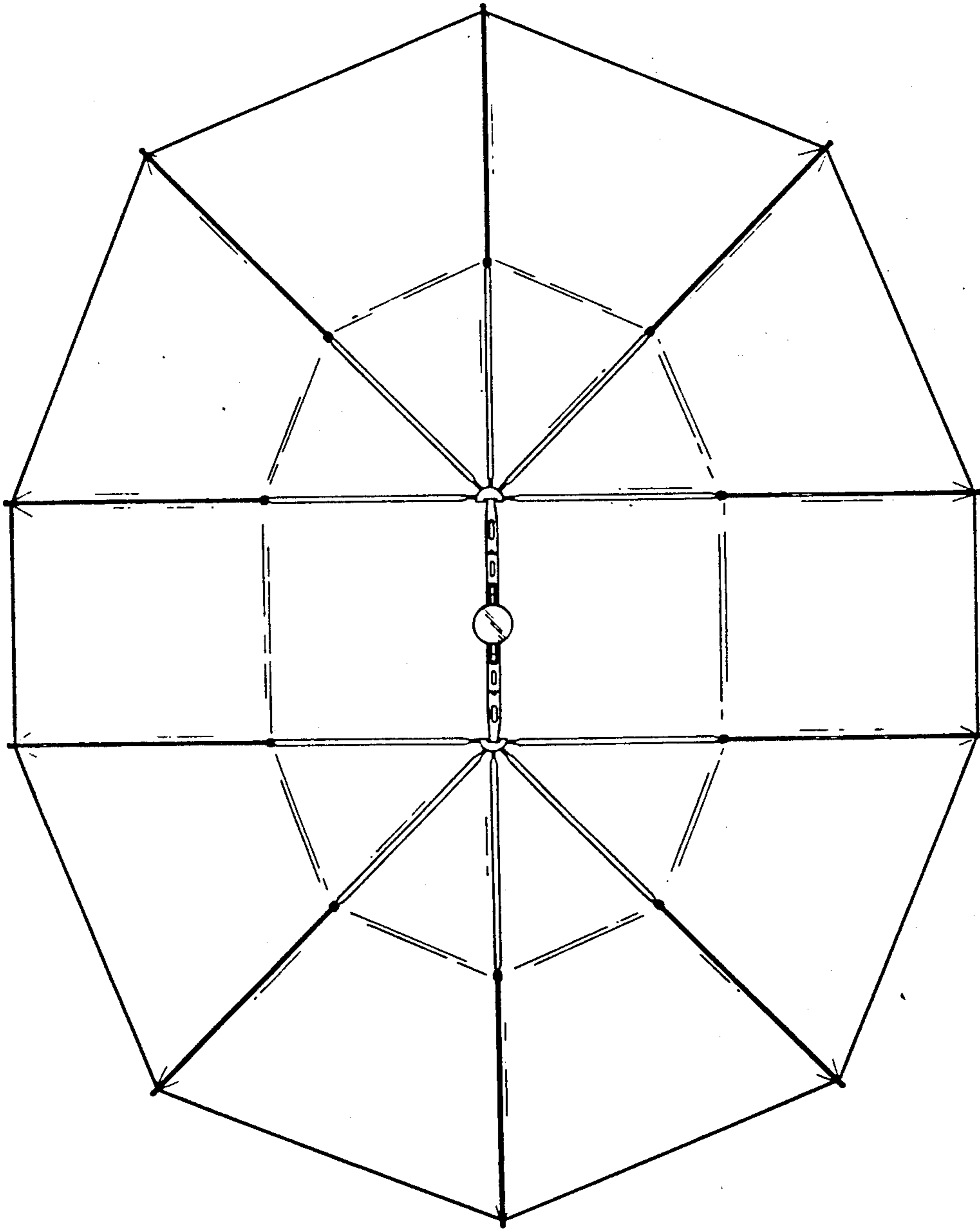


FIG. 6

UNITED STATES PATENT AND TRADEMARK OFFICE
CERTIFICATE OF CORRECTION

PATENT NO. : D328,182

DATED : July 28, 1992

INVENTOR(S) : Hon K. Lo

It is certified that error appears in the above-identified patent and that said Letters Patent is hereby corrected as shown below:

On the title page, item (76) Inventors:

Change from "Hon W. Lo" to "--Hon K. Lo--".

Signed and Sealed this
Seventh Day of September, 1993



Attest:

BRUCE LEHMAN

Attesting Officer

Commissioner of Patents and Trademarks