



US00D328176S

# United States Patent [19] Ruble

[11] Patent Number: **Des. 328,176**

[45] Date of Patent: **\*\* Jul. 21, 1992**

[54] **CASKET**

[76] Inventor: **Wilma L. Ruble, Rte. 17, Box 5,  
Lebanon, Mo. 65536**

[\*\*] Term: **14 Years**

[21] Appl. No.: **280,185**

[22] Filed: **Dec. 2, 1988**

[52] U.S. Cl. .... **D99/3**

[58] Field of Search ..... **D99/1-9,  
D99/10-16**

[56] **References Cited**

**U.S. PATENT DOCUMENTS**

D. 13,034	7/1882	Stein	.....	D99/2
D. 40,016	5/1909	Topol	.....	D99/2
D. 84,842	8/1931	Ostwald	.....	D99/3
D. 100,265	7/1936	Goggins	.....	D99/3
D. 157,872	3/1950	Kirkpatrick	.....	D99/3
D. 220,999	11/1878	Quint	.....	27/15
210,210	6/1971	Poulin	.....	27/2
266,294	10/1882	Johnson et al.	.....	27/22.1
340,528	3/1886	Stockton	.....	27/11
636,603	11/1899	Williams	.....	27/8

806,756	12/1905	Stafford	.....	27/11
1,431,727	10/1922	Dunn	.....	27/2
1,887,665	11/1932	Truman	.....	27/2
3,172,183	3/1965	Bugg	.....	27/7
3,348,280	10/1967	Myers	.....	
4,463,484	8/1984	Arizpe	.....	27/2

**OTHER PUBLICATIONS**

Goldschmiede und Uhrmacher Zeitung dated Dec. 1988, p. 36 Angels at the base.

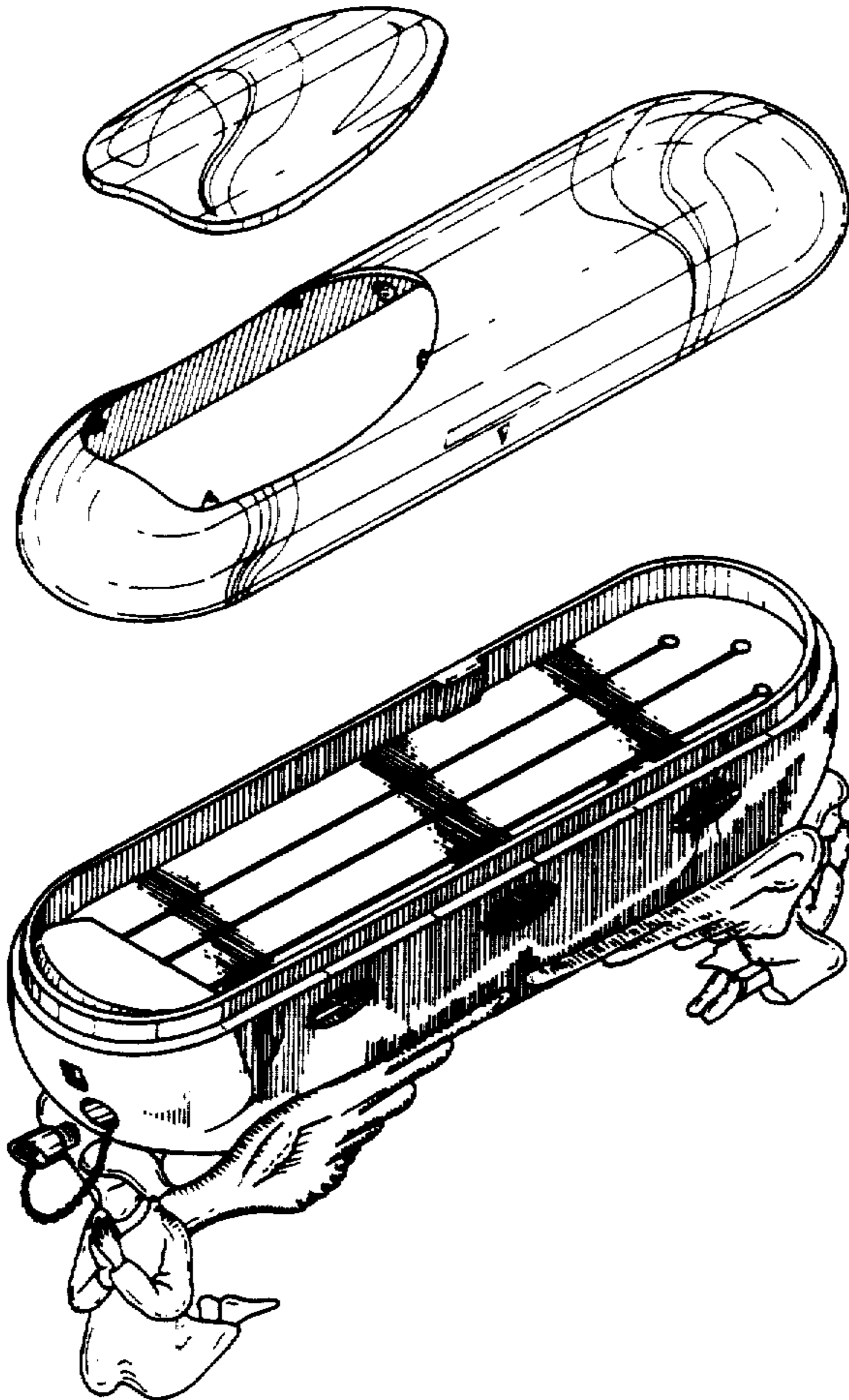
*Primary Examiner*—Donald P. Walsh  
*Assistant Examiner*—J. H. Musgrove  
*Attorney, Agent, or Firm*—Terry M. Gernstein

[57] **CLAIM**

The ornamental design for a casket, as shown and described.

**DESCRIPTION**

FIG. 1 is an exploded top and left-front perspective view of a casket showing my new design; FIG. 2 is a left side elevational view; FIG. 3 is a front elevational view; FIG. 4 is a rear elevational view thereof; and, FIG 5 is a right side elevational view thereof.



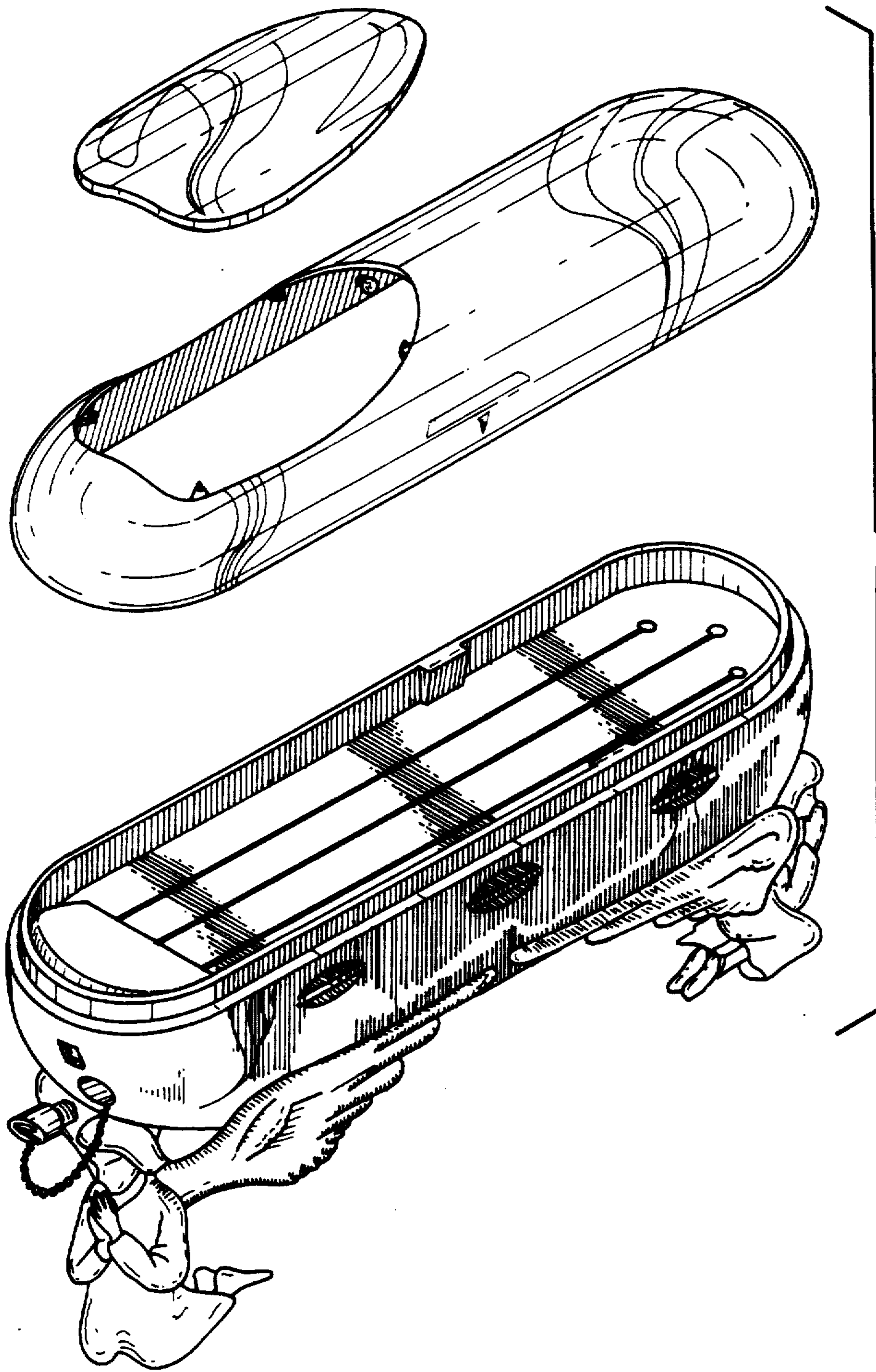


FIG. 1

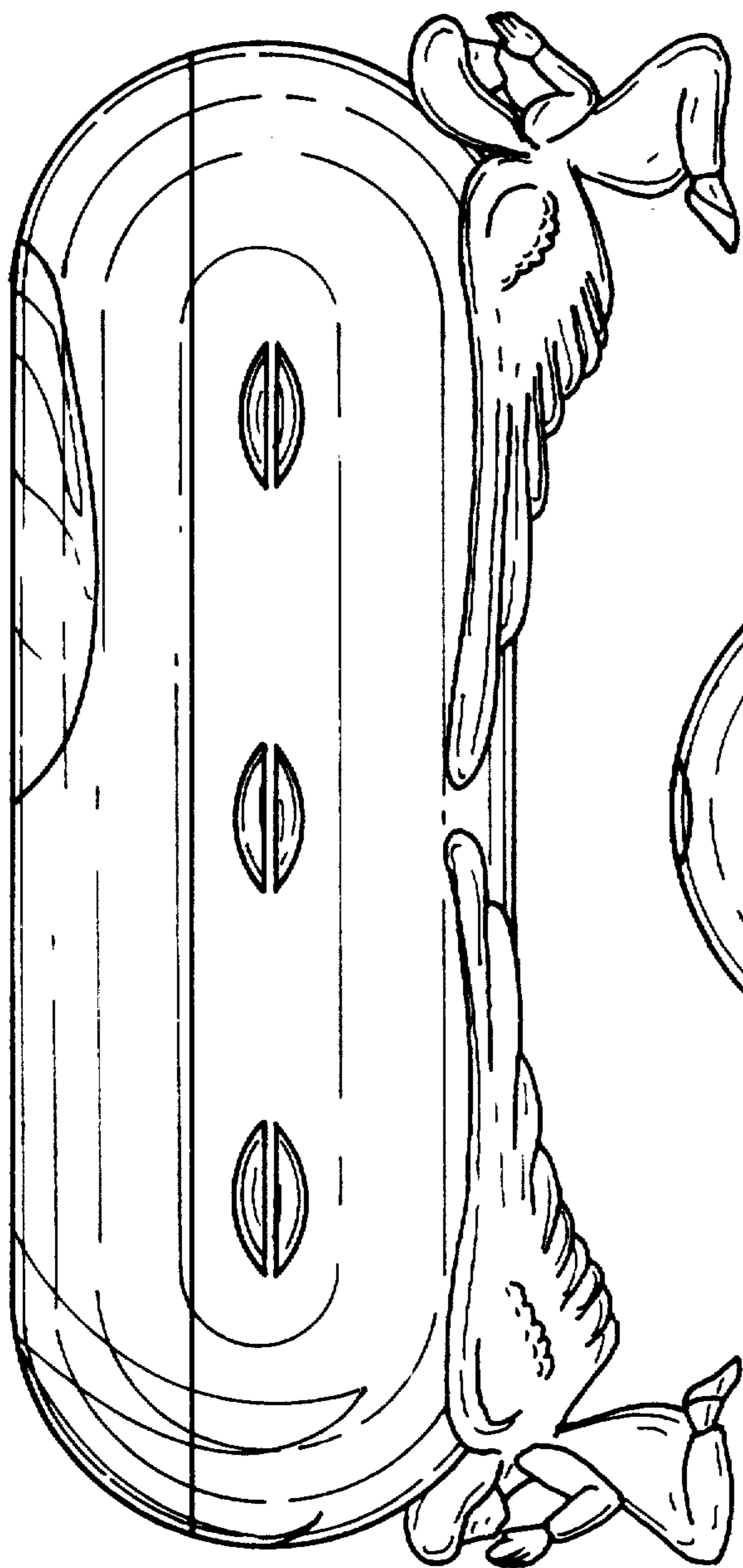


FIG. 4

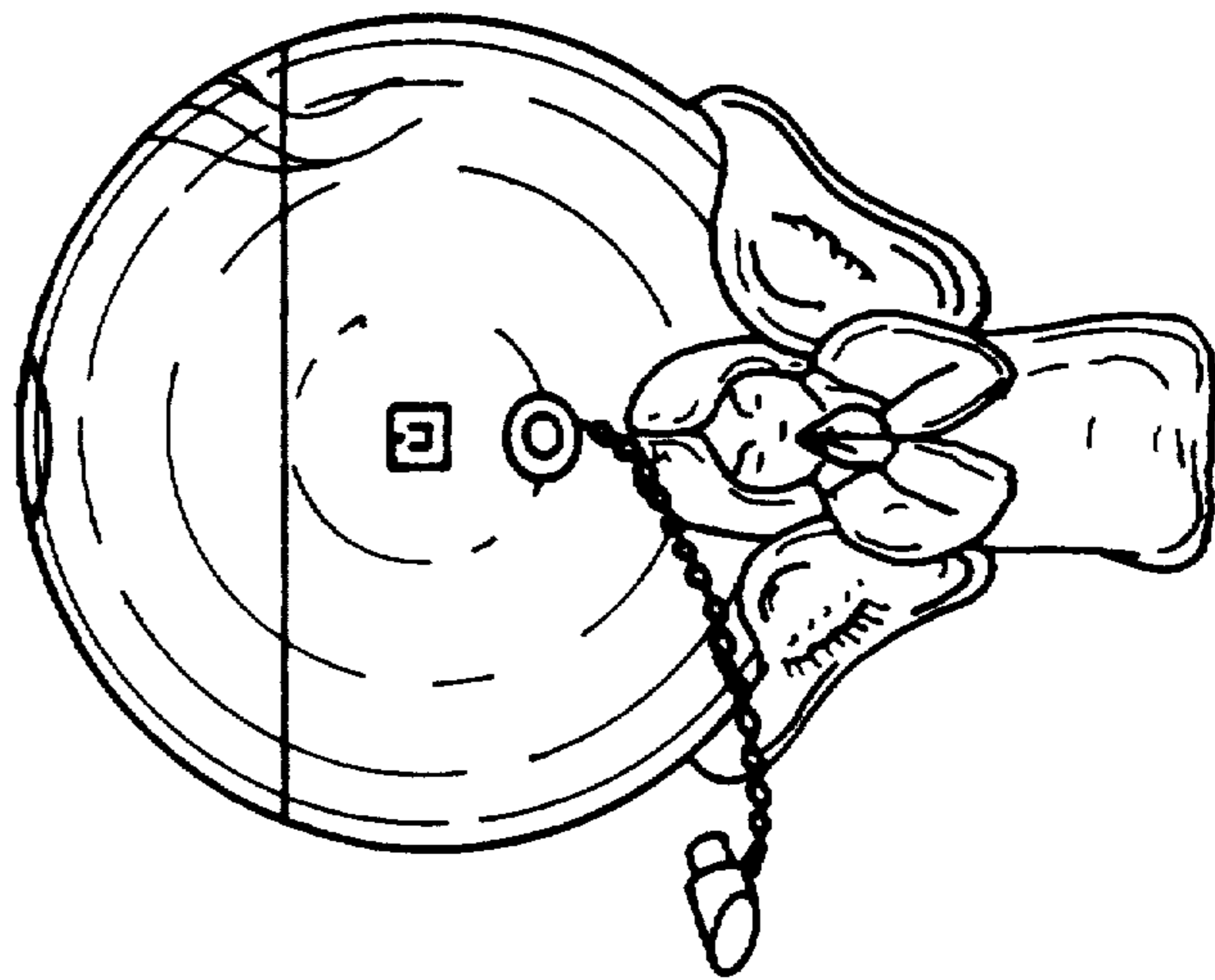


FIG. 2

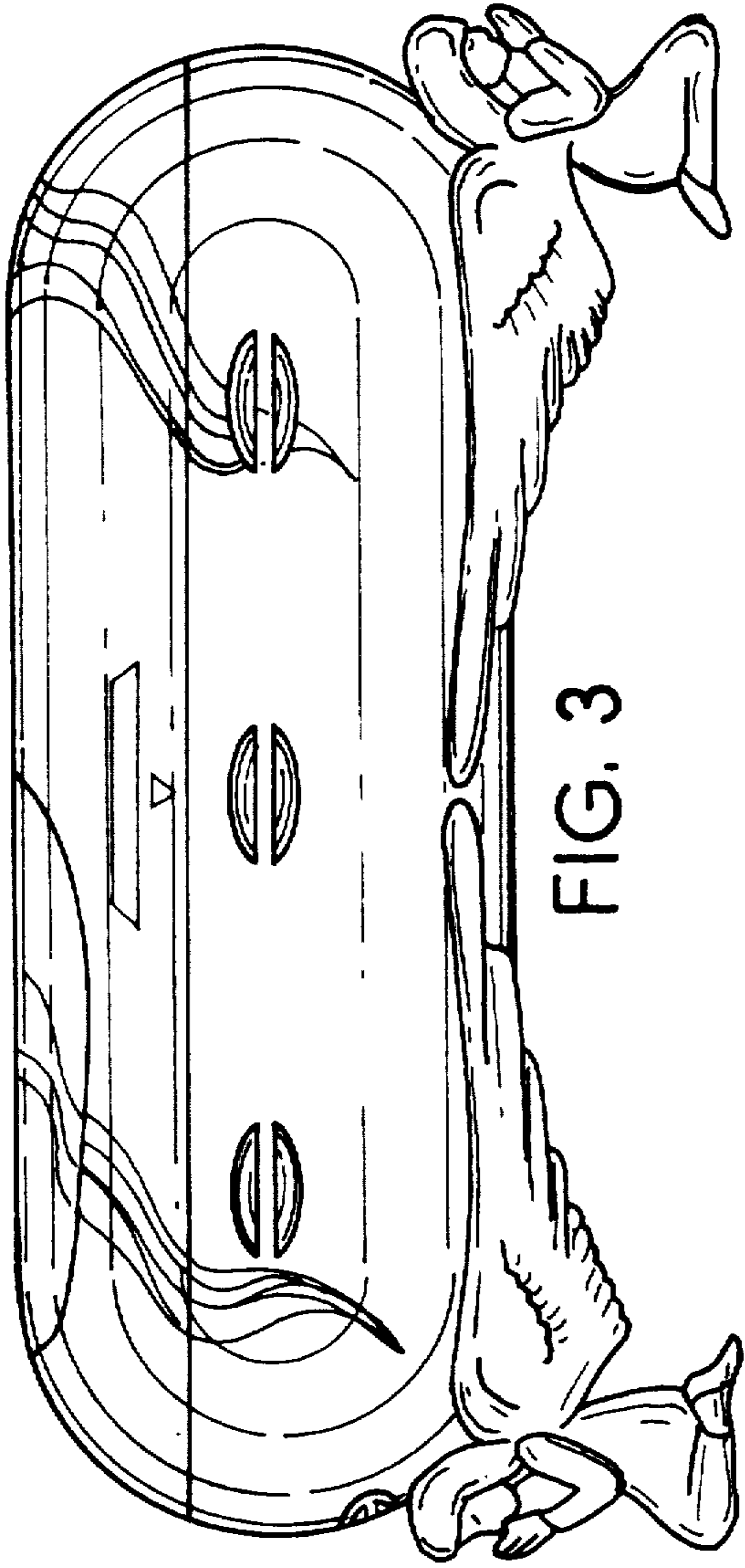


FIG. 3

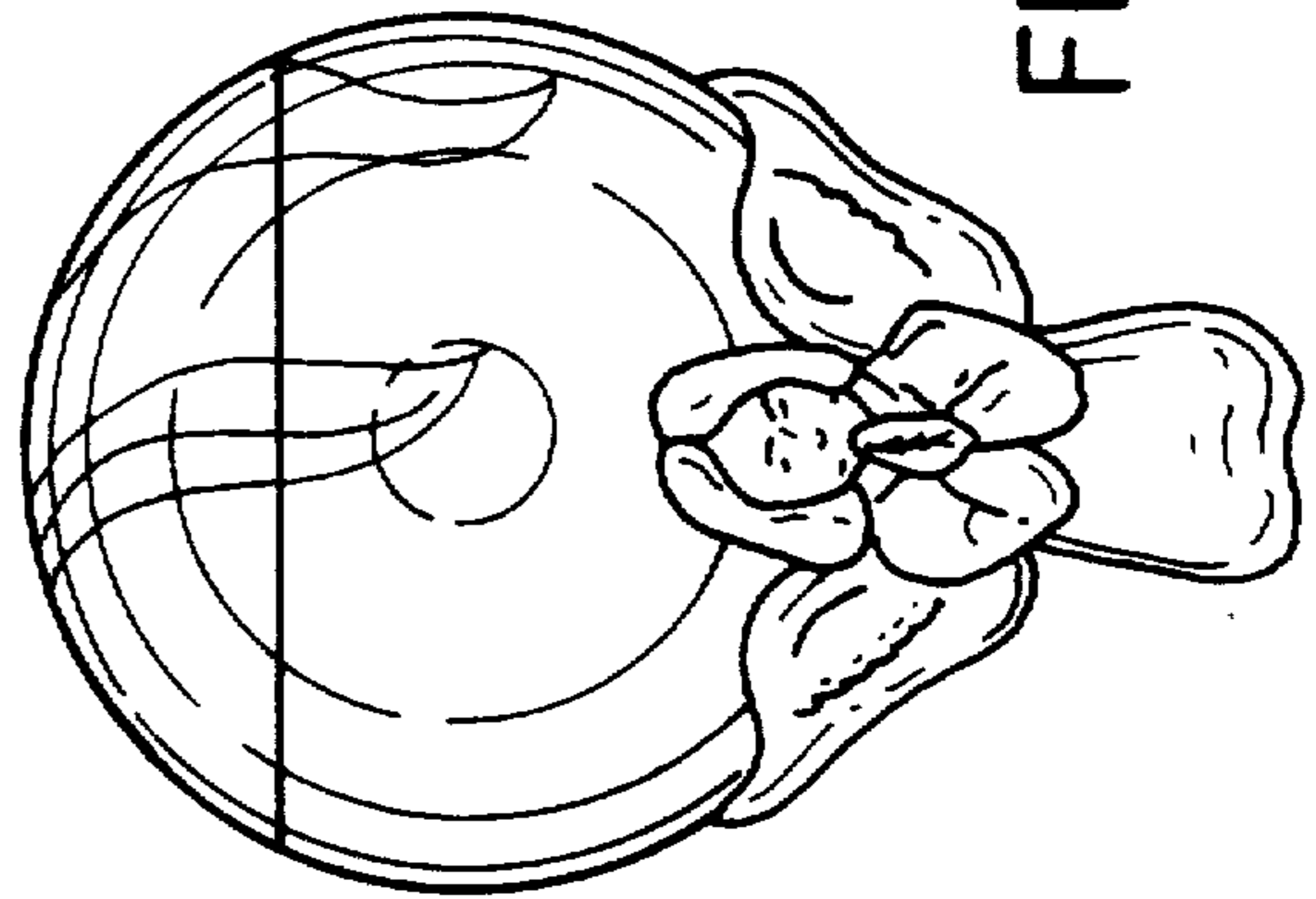


FIG. 5