



US00D328173S

United States Patent [19]

[11] Patent Number: **Des. 328,173**

Nelson

[45] Date of Patent: **** Jul. 21, 1992**

- [54] **GARDEN HOSE REEL CADDY**
- [75] Inventor: **Terry N. Nelson, Shoreview, Minn.**
- [73] Assignee: **The Specialty Mfg. Co., St. Paul, Minn.**
- [**] Term: **14 Years**
- [21] Appl. No.: **553,140**
- [22] Filed: **Jul. 13, 1990**
- [52] U.S. Cl. **D34/26; D8/359**
- [58] Field of Search **D8/359; D34/26; 242/106, 86, 86.2, 56, 86.5 R; 239/195; 137/355.16**

5,007,598 4/1991 Spear et al. 242/86 X

OTHER PUBLICATIONS

Clapper's Garden Catalog, Spring 1989, p. 33, Garden Hose caddy, item B at right of page.

Primary Examiner—Wallace R. Burke
Assistant Examiner—H. Baynham
Attorney, Agent, or Firm—Patterson & Keough

[57] CLAIM

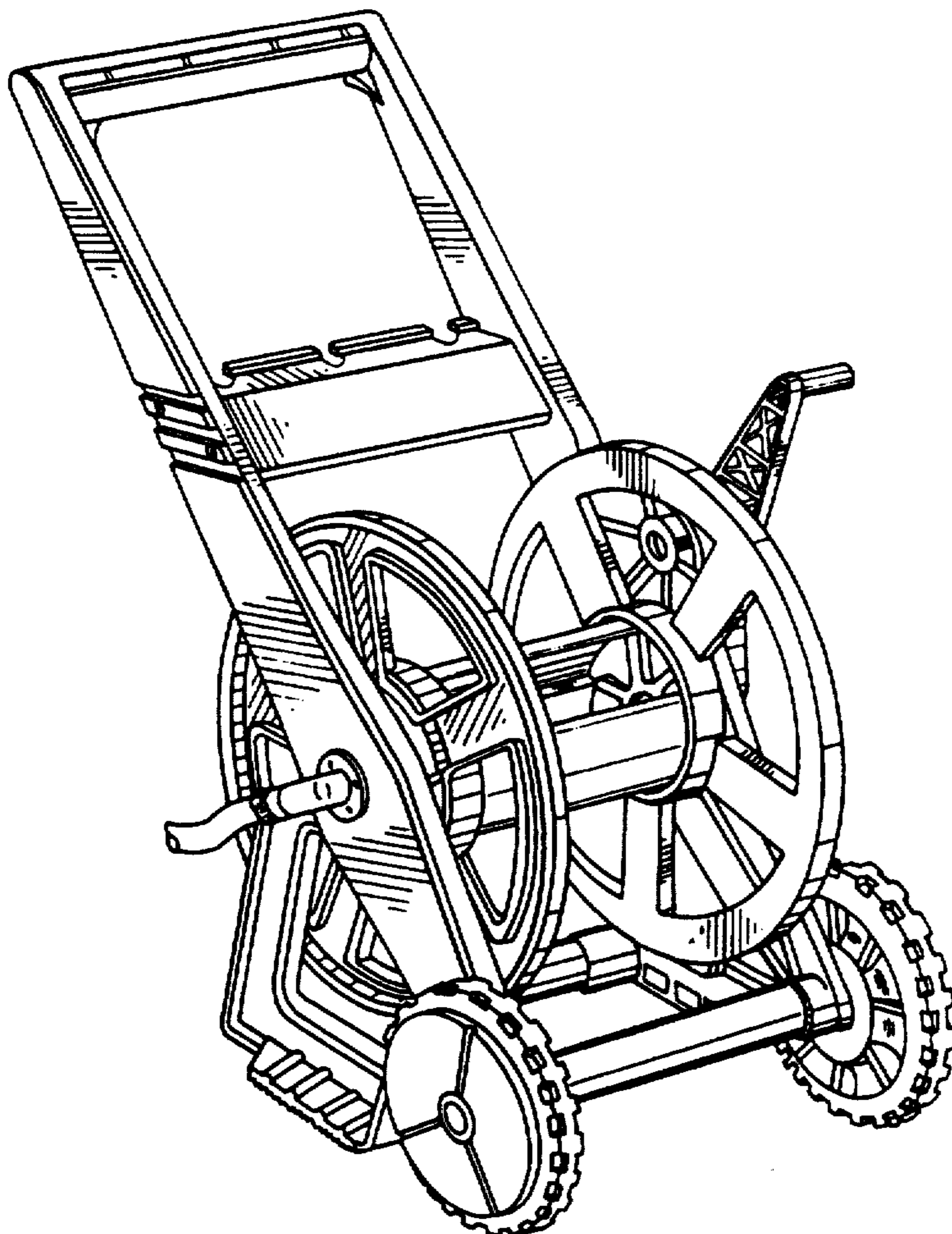
The ornamental design for an garden hose reel caddy, as shown.

DESCRIPTION

FIG. 1 is a perspective view of a garden hose reel caddy showing my new design;
FIG. 2 is a top plan view thereof;
FIG. 3 is a left side elevational view thereof;
FIG. 4 is a front elevational view thereof;
FIG. 5 is a right side elevational view thereof;
FIG. 6 is a rear elevational view thereof; and,
FIG. 7 is a bottom plan view thereof.

[56] References Cited U.S. PATENT DOCUMENTS

D. 294,456	3/1988	Nelson	D8/359
D. 303,446	9/1989	Kitts et al.	D34/26
4,512,361	4/1985	Tisbo et al.	242/86 X
4,768,546	9/1988	Brusadin et al.	D34/26 X
4,974,627	12/1990	Nelson	242/86.2



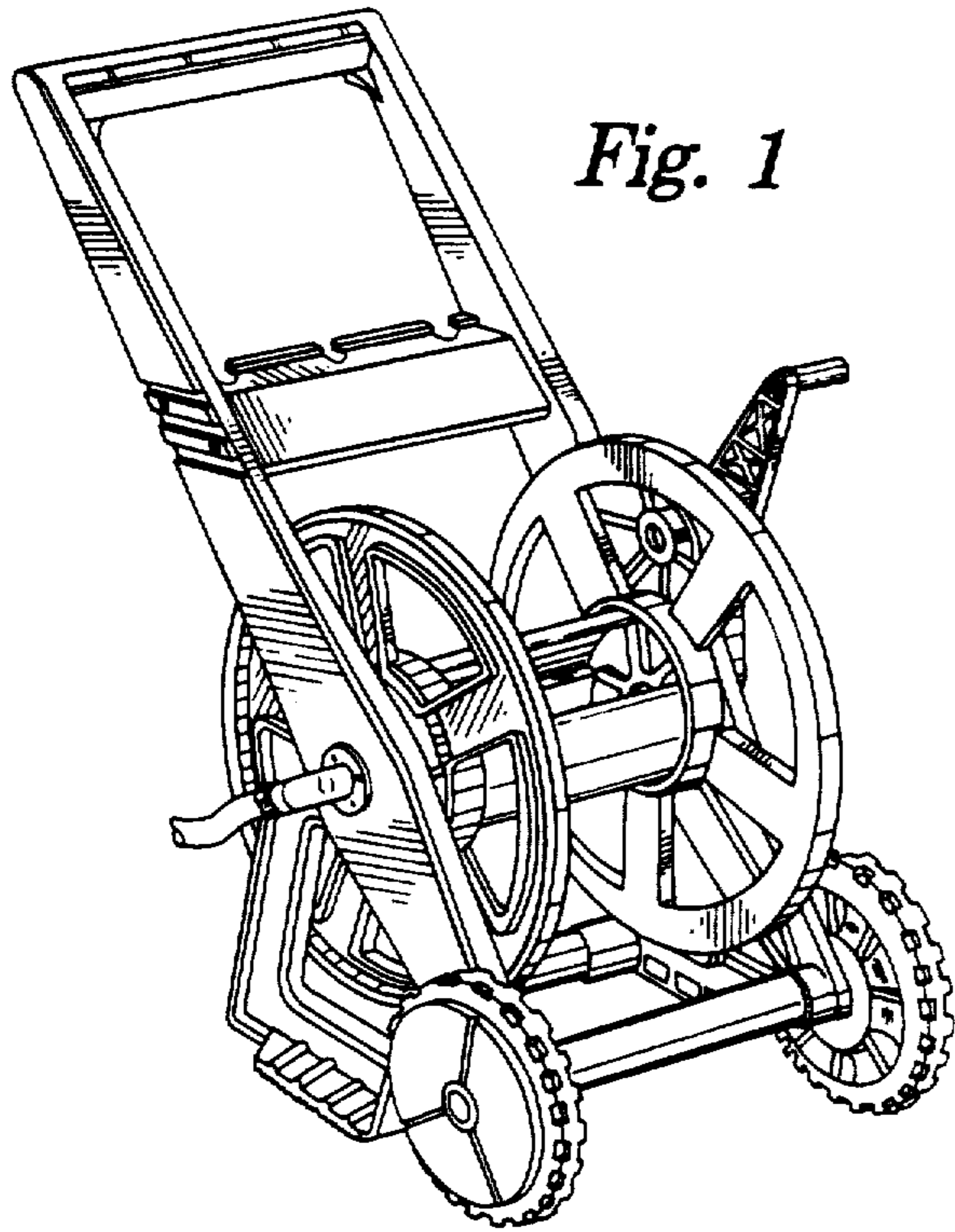


Fig. 1

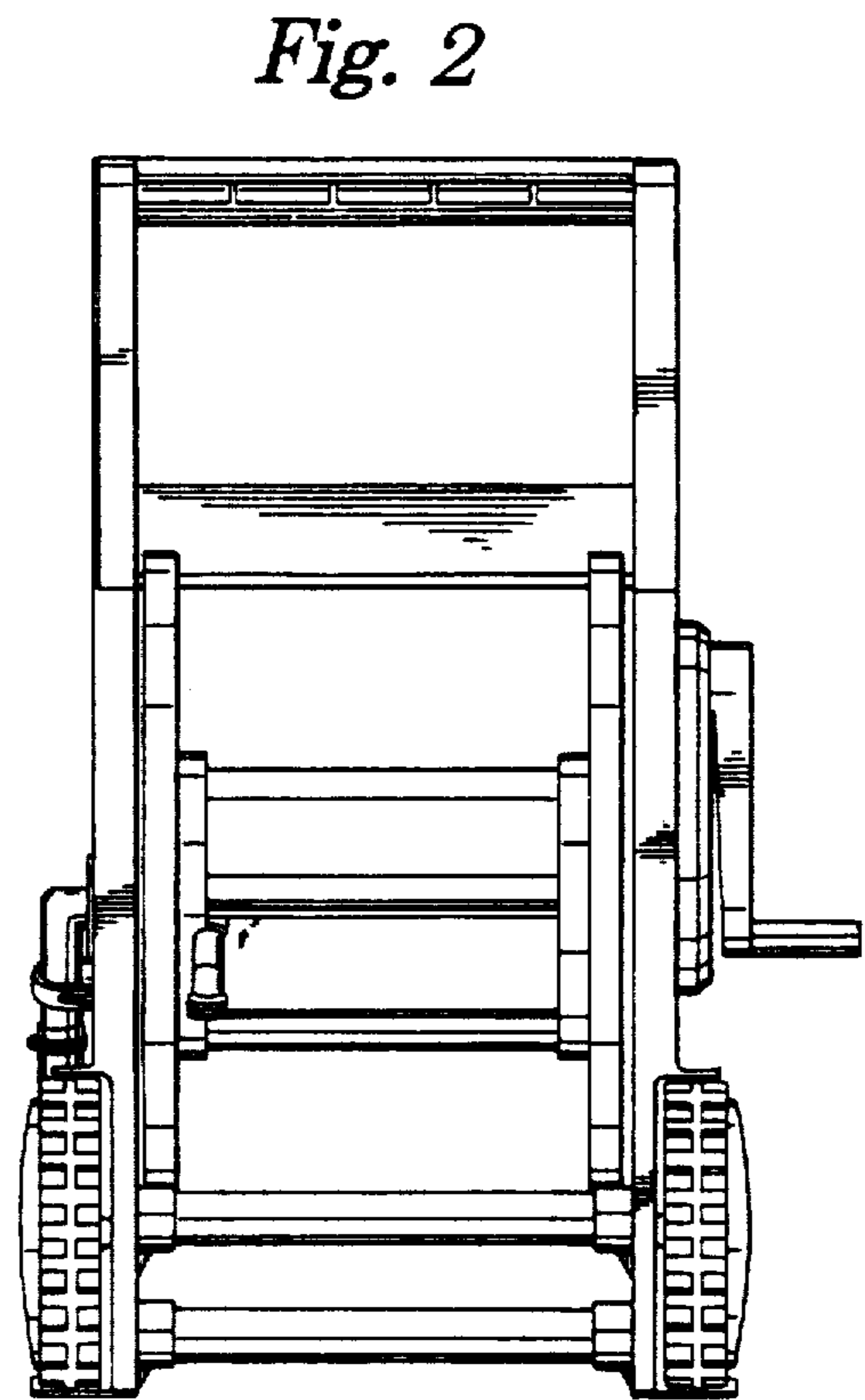


Fig. 2

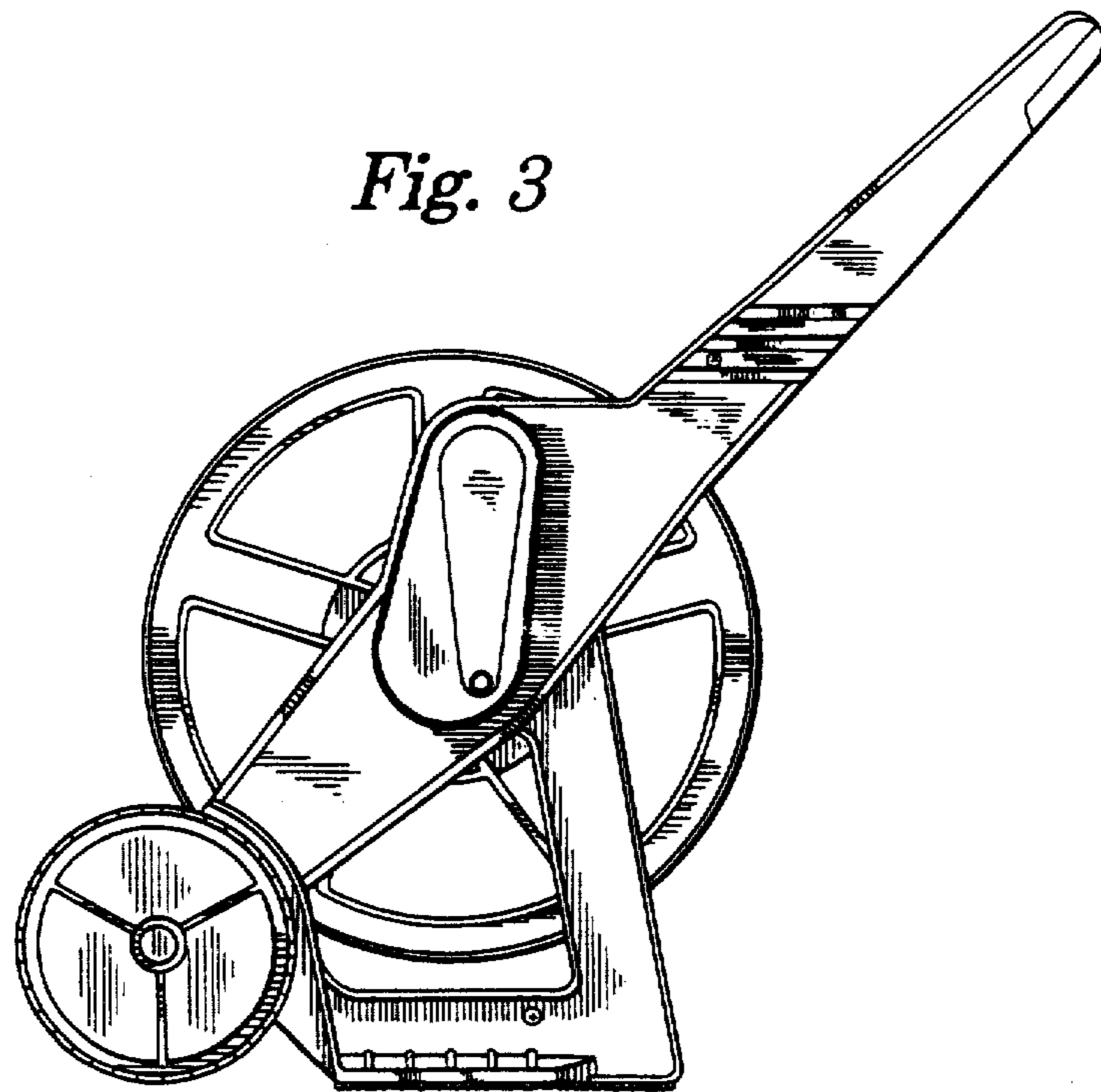


Fig. 3

Fig. 4

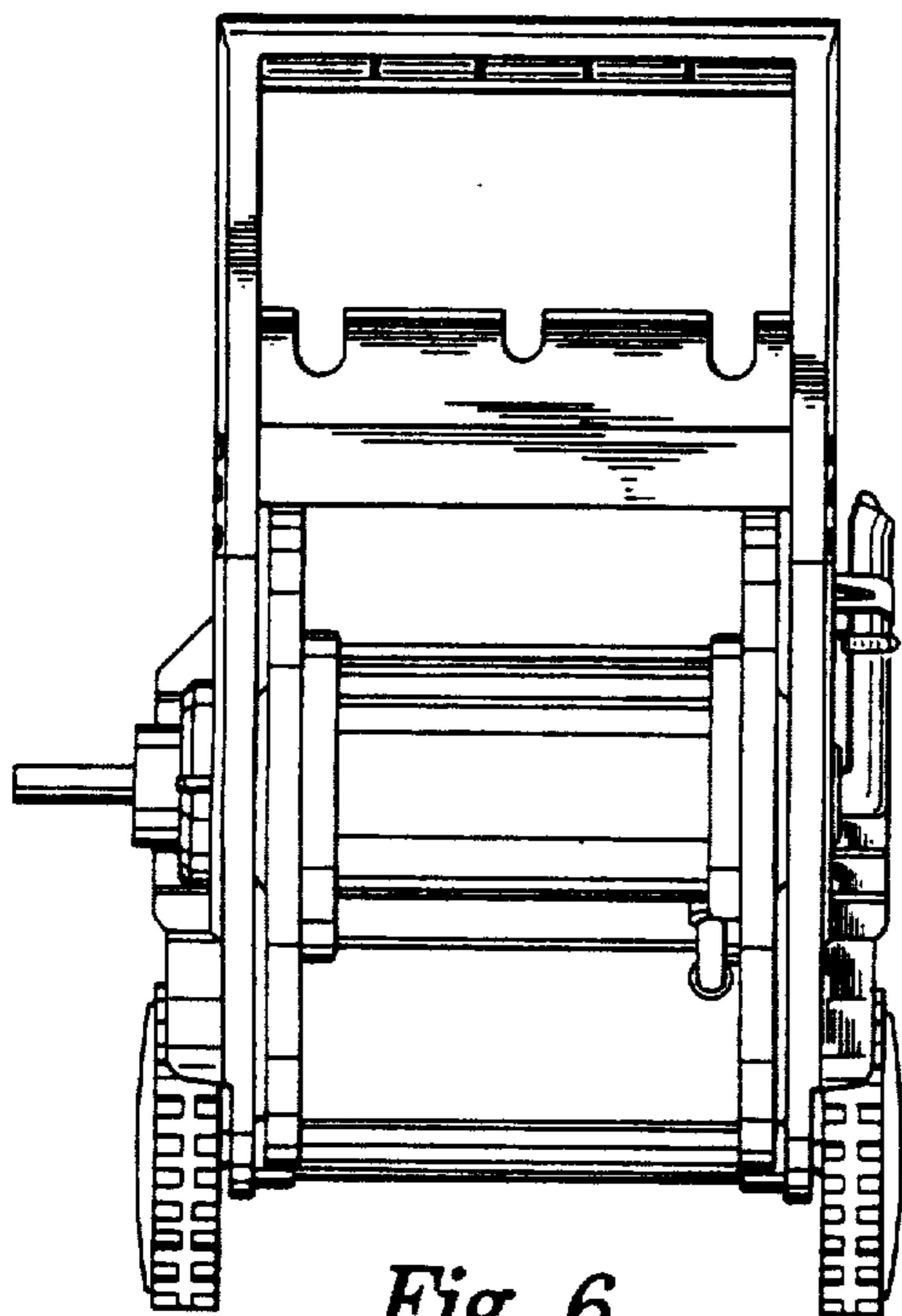


Fig. 5

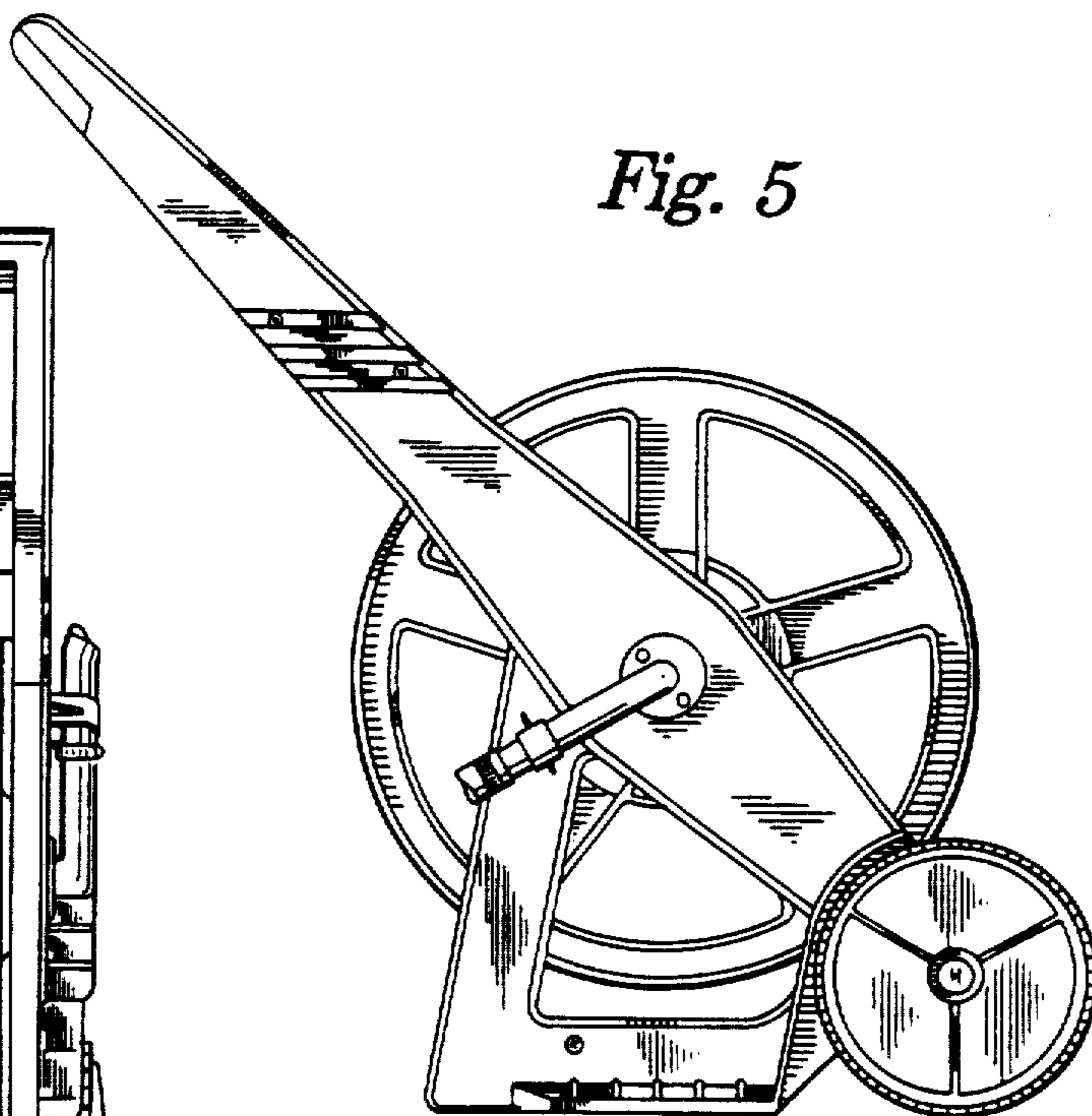


Fig. 6

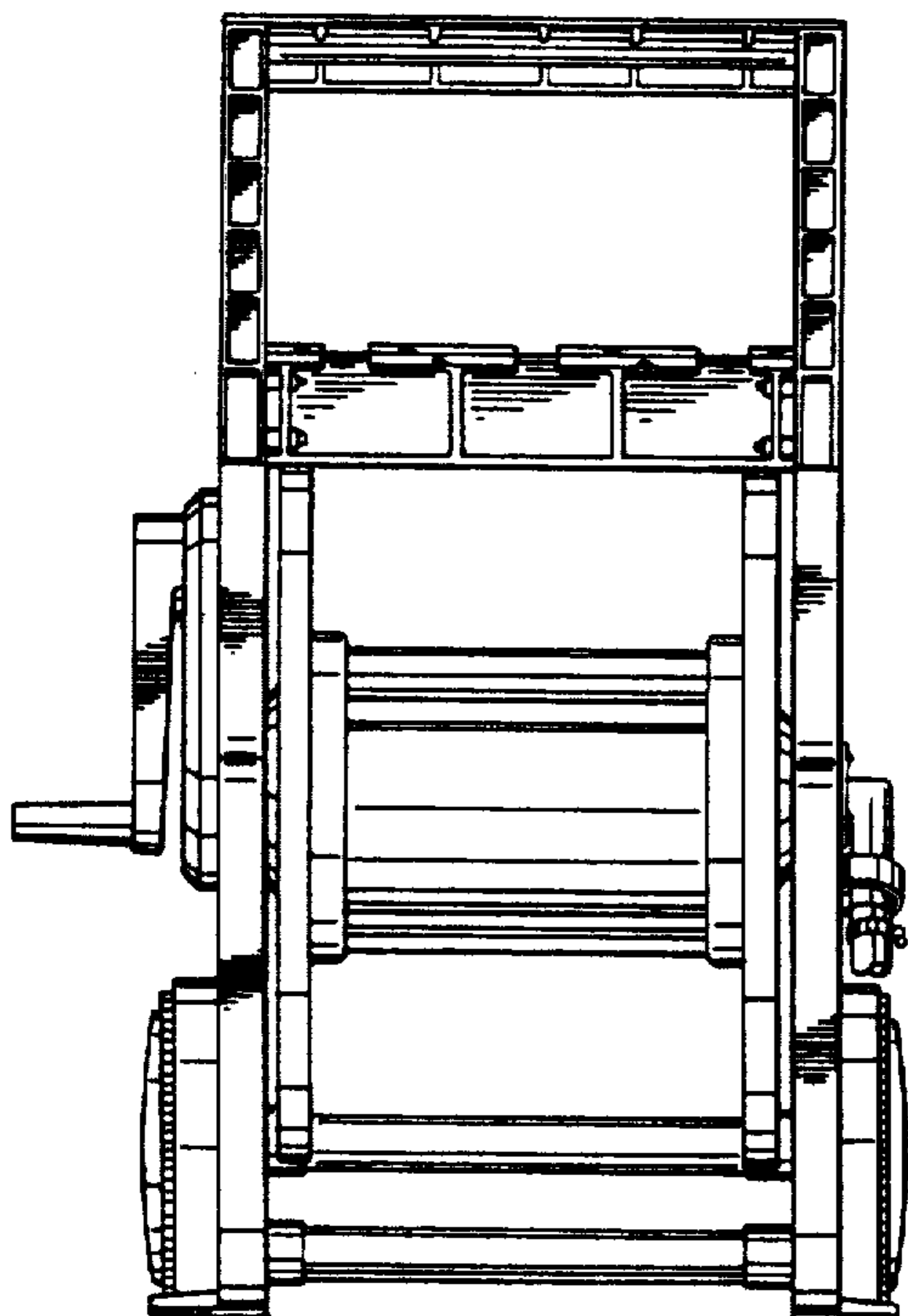


Fig. 7

