



US00D328171S

United States Patent [19]

Hikawa

[11] Patent Number: **Des. 328,171**

[45] Date of Patent: **** Jul. 21, 1992**

[54] CABINET

[75] Inventor: **Koji Hikawa, Tokyo, Japan**

[73] Assignee: **Ricoh Company, Ltd., Tokyo, Japan**

[**] Term: **14 Years**

[21] Appl. No.: **604,005**

[22] Filed: **Oct. 26, 1990**

[30] Foreign Application Priority Data

Apr. 27, 1990 [JP] Japan 2-014848

[52] U.S. Cl. **D34/20; D34/19; D6/441**

[58] Field of Search D34/20, 17, 18, 19, D34/21, 22, 23, 24, 25, 26, 12; D6/441, 436, 445, 446; 312/250, 214, 350; 280/79.3

[56] References Cited

U.S. PATENT DOCUMENTS

D. 107,970	1/1938	Pfauser	D34/20
D. 141,016	4/1945	Stanitz	D6/436
D. 141,097	5/1945	Pinanski	D6/441
D. 240,629	7/1976	Cope	D34/20
D. 291,511	8/1987	Lies	D6/445

Primary Examiner—Kay H. Chin

Attorney, Agent, or Firm—Oblon, Spivak, McClelland, Maier & Neustadt

[57] CLAIM

The ornamental design for a cabinet, as shown and described.

DESCRIPTION

FIG. 1 is a top, front and right side perspective view of a cabinet showing my new design; and, FIG. 2 is a bottom, rear and left side perspective view thereof.

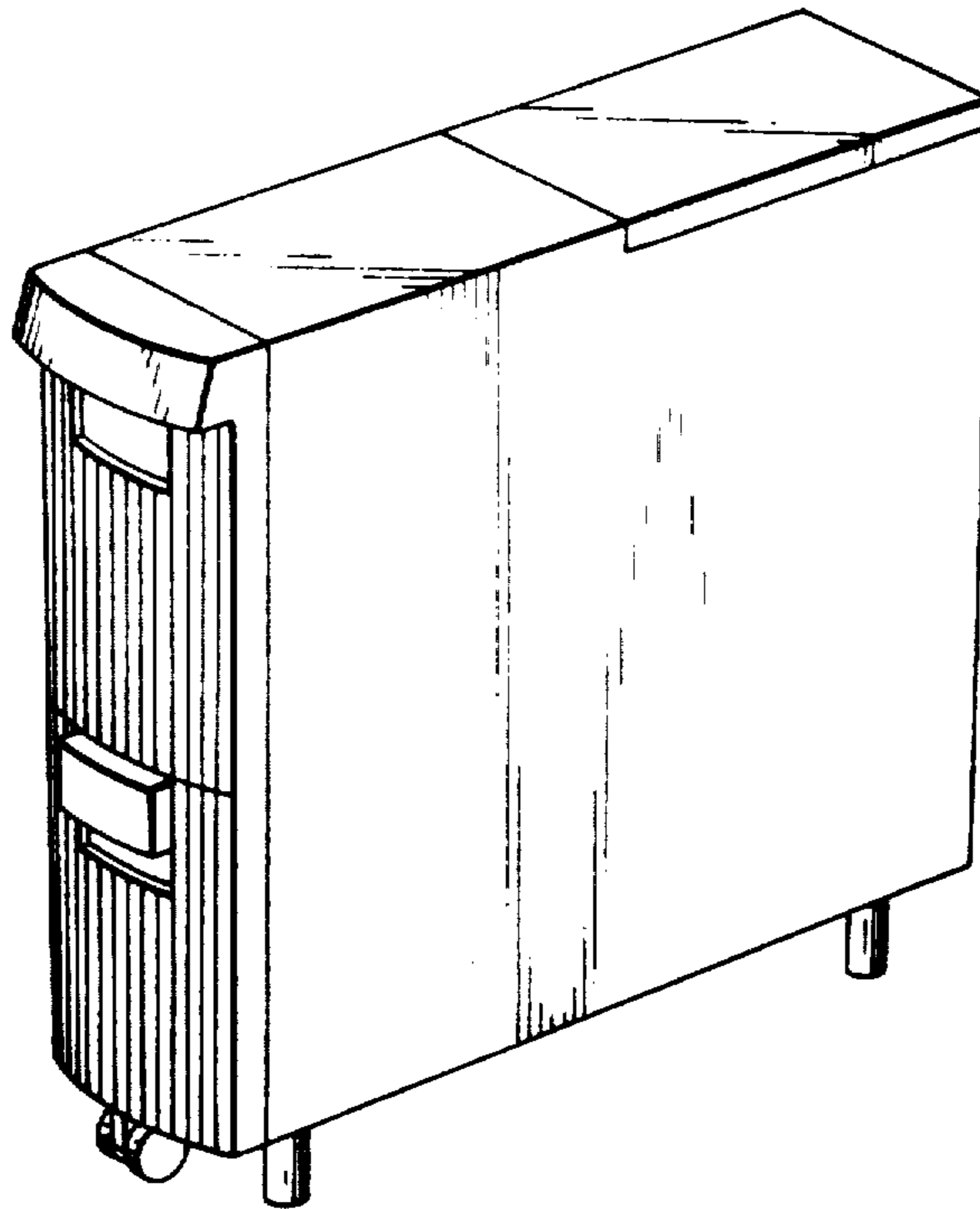


FIG. 1

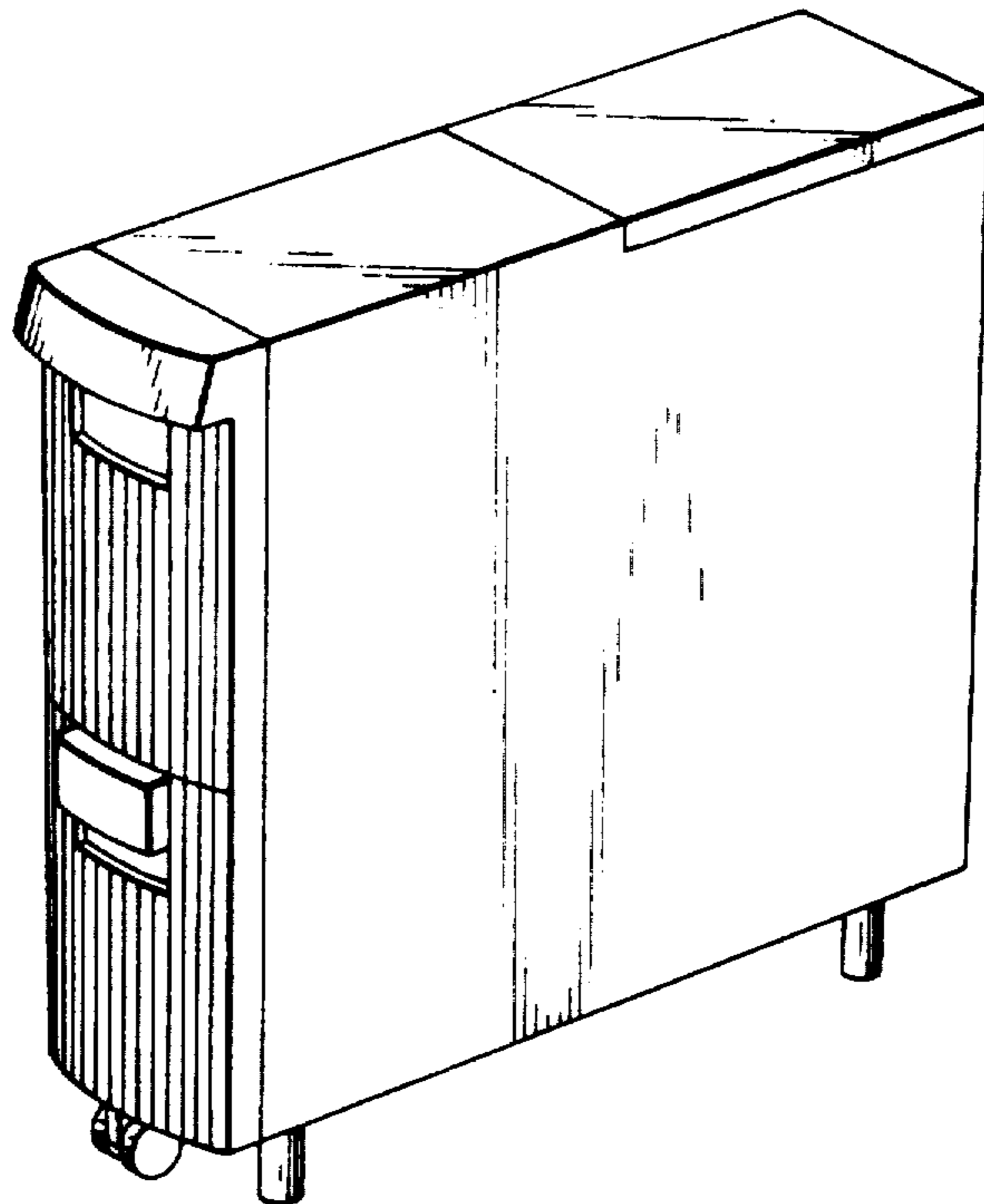


FIG. 2

