



US00D328167S

United States Patent [19]

[11] Patent Number: **Des. 328,167**

Danitis

[45] Date of Patent: **** Jul. 21, 1992**

[54] **LADDER SUPPORTED PAINT CAN HOLDER**

3,738.601 6/1973 Gehringer 248/210
3,757.380 9/1973 Jackson 248/211 X
4,480.810 11/1984 Hall 248/238

[76] Inventor: **Daniel R. Danitis**, 9 High St., Ware, Mass. 01082

Primary Examiner—Wallace R. Burke
Assistant Examiner—Lavone D. Tabor
Attorney, Agent, or Firm—Leon Gilden

[**] Term: **14 Years**

[21] Appl. No.: **439,521**

[57] **CLAIM**

[22] Filed: **Nov. 21, 1989**

The ornamental design for a ladder supported paint can holder, as shown and described.

[52] U.S. Cl. **D32/54; D25/68**

[58] Field of Search D6/512; D25/68; D32/53, D32/54; 15/257.06, 257.05; 182/121; 220/570-572; 248/210-211, 238; D9/447

DESCRIPTION

[56] **References Cited**

U.S. PATENT DOCUMENTS

D. 320.551 10/1991 Wilson D9/447
2,982.982 5/1961 Swift, Sr. 248/210

FIG. 1 is a front elevational view of the ladder supported paint can holder showing my new design; FIG. 2 is a rear elevational view thereof; FIG. 3 is a left side elevational view thereof; FIG. 4 is a right side elevational view thereof; FIG. 5 is a top plan view thereof; and, FIG. 6 is a bottom plan view thereof.

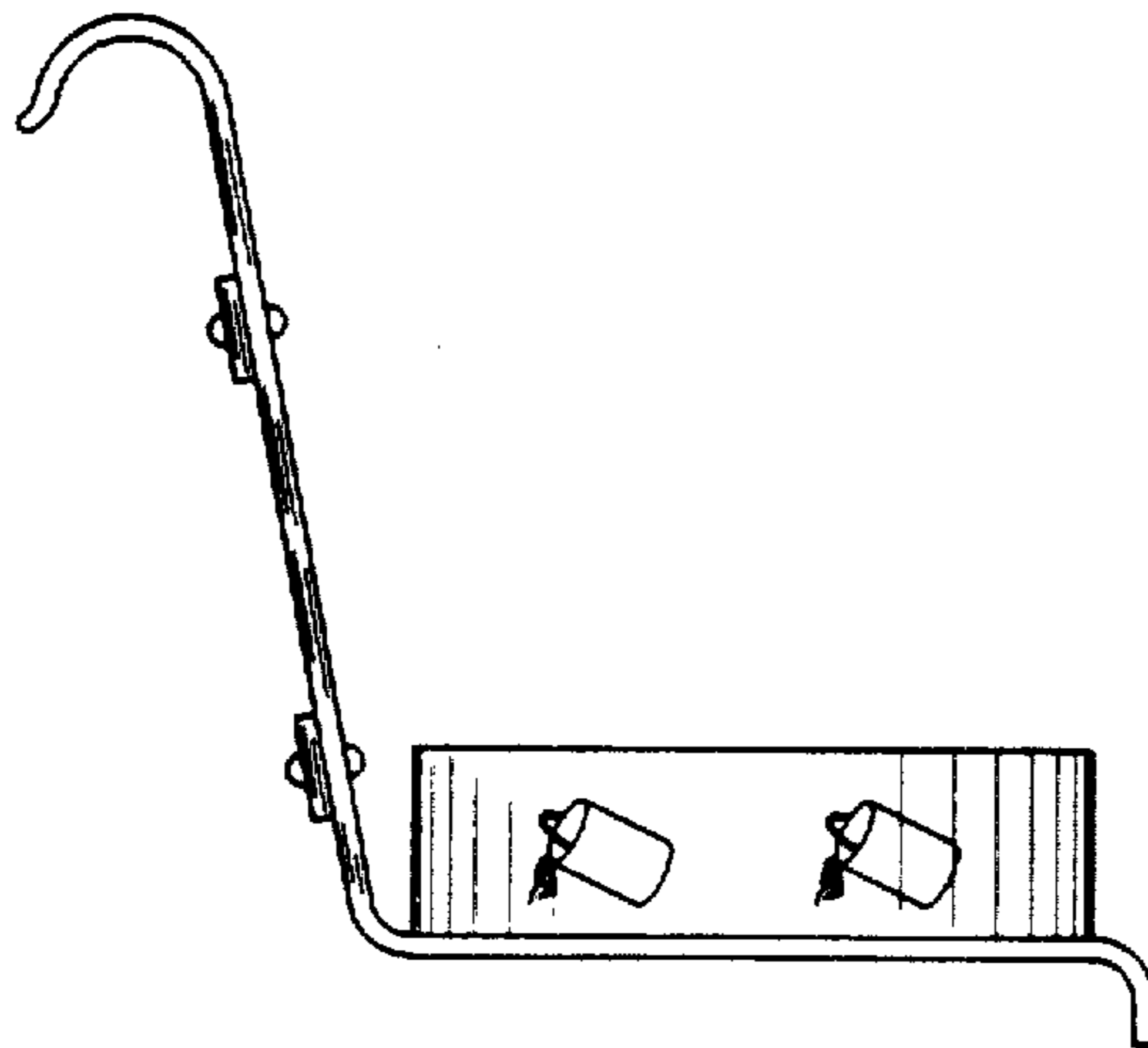
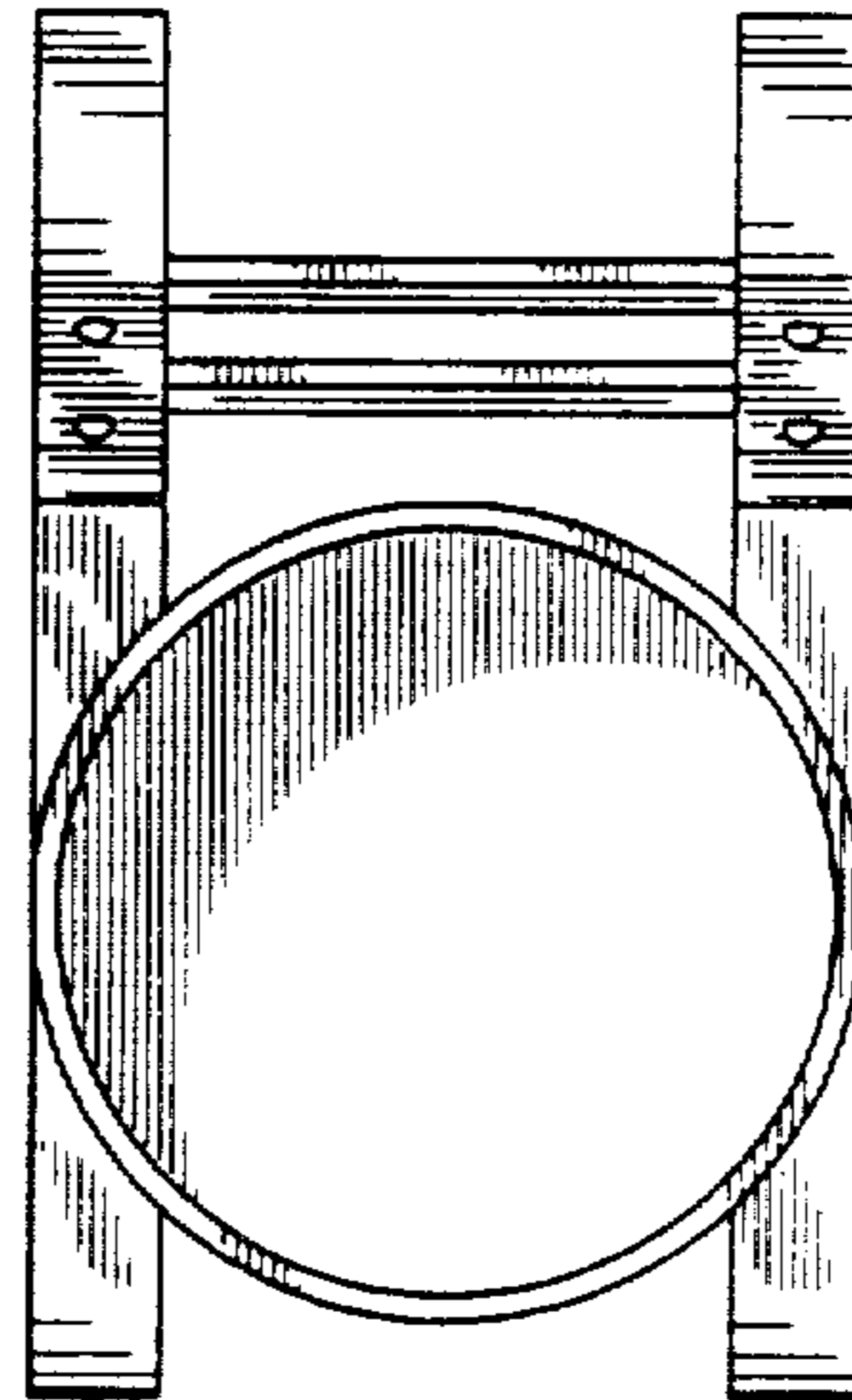
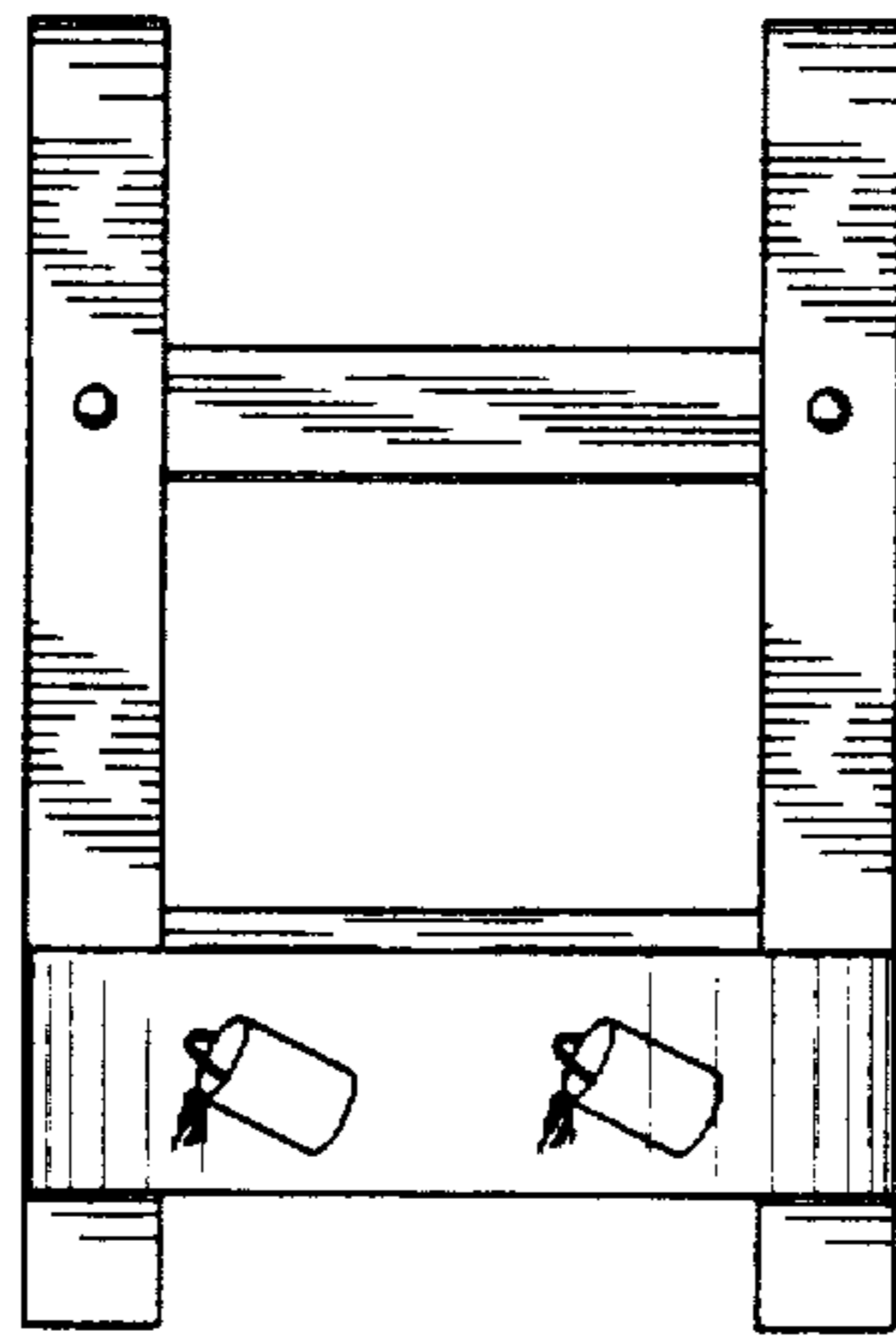


FIG. 1

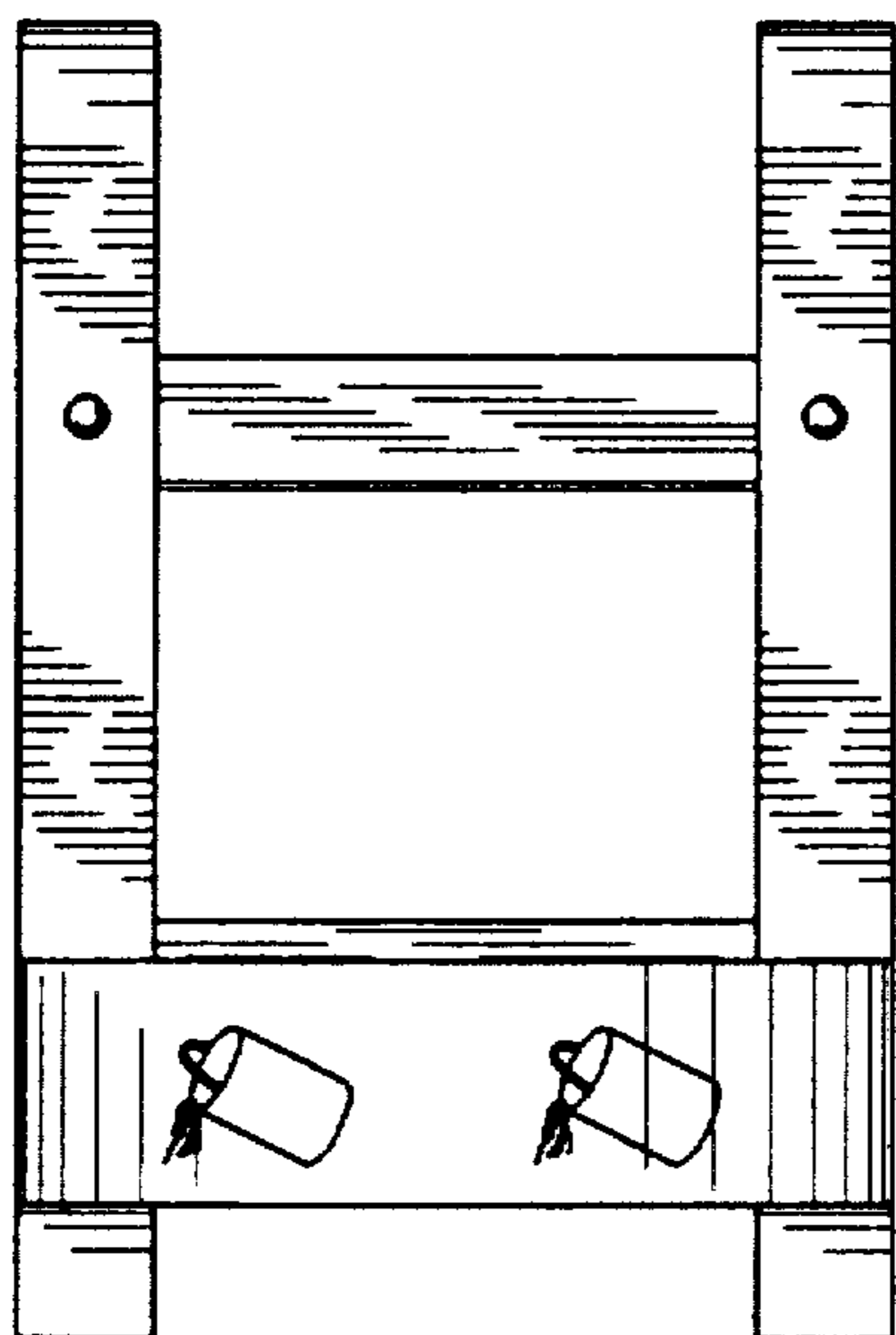


FIG. 2

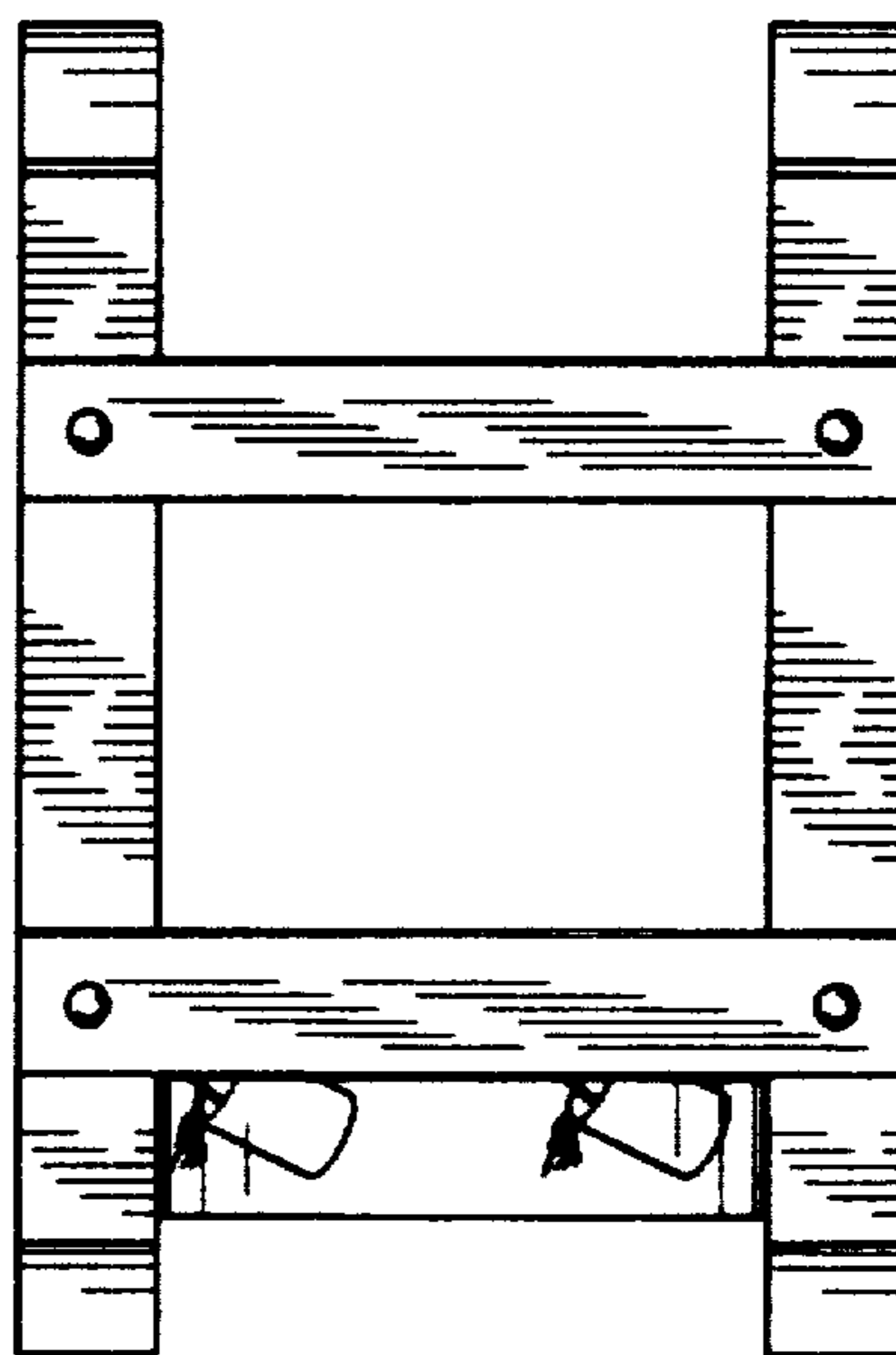


FIG. 3

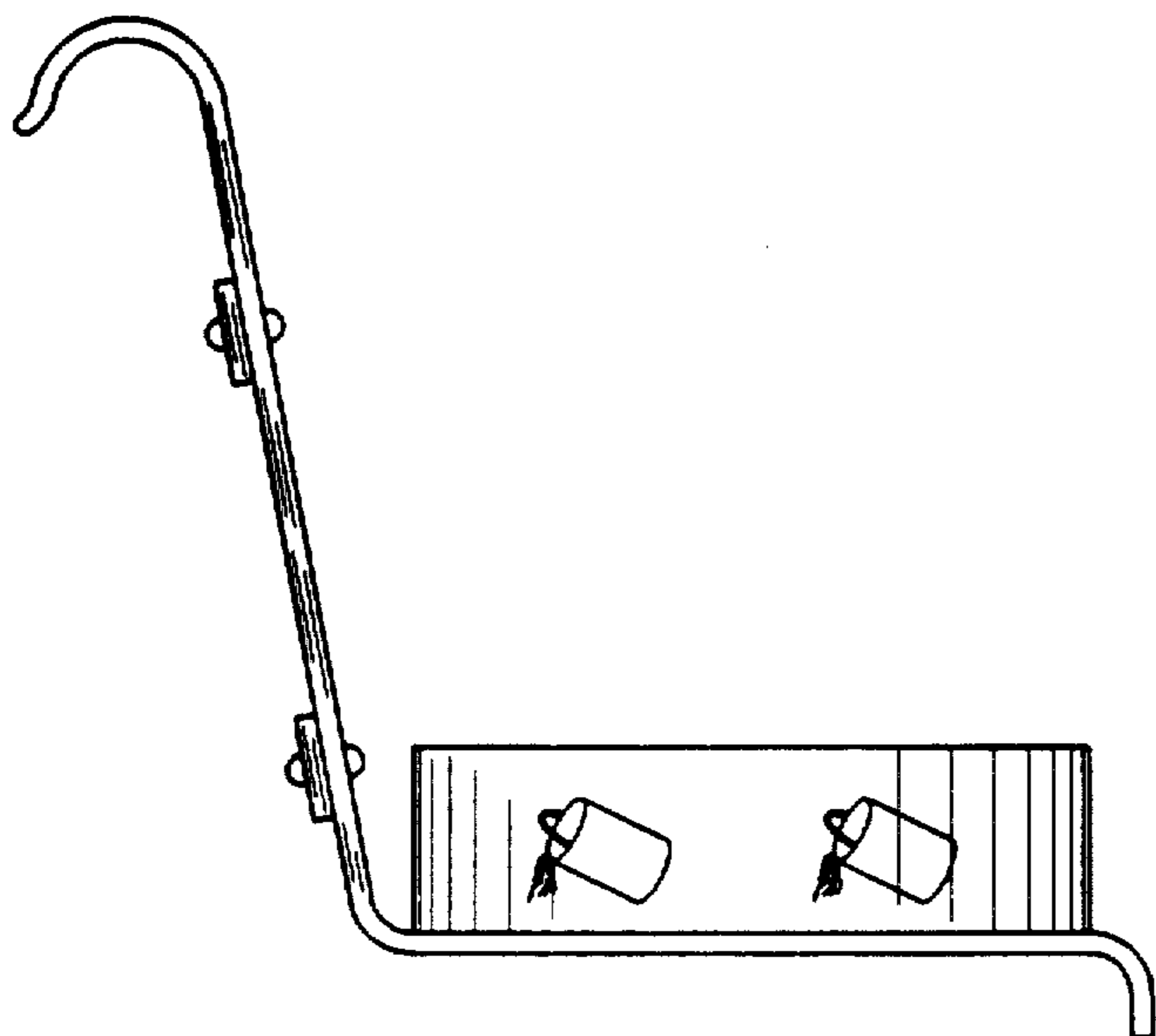


FIG. 4

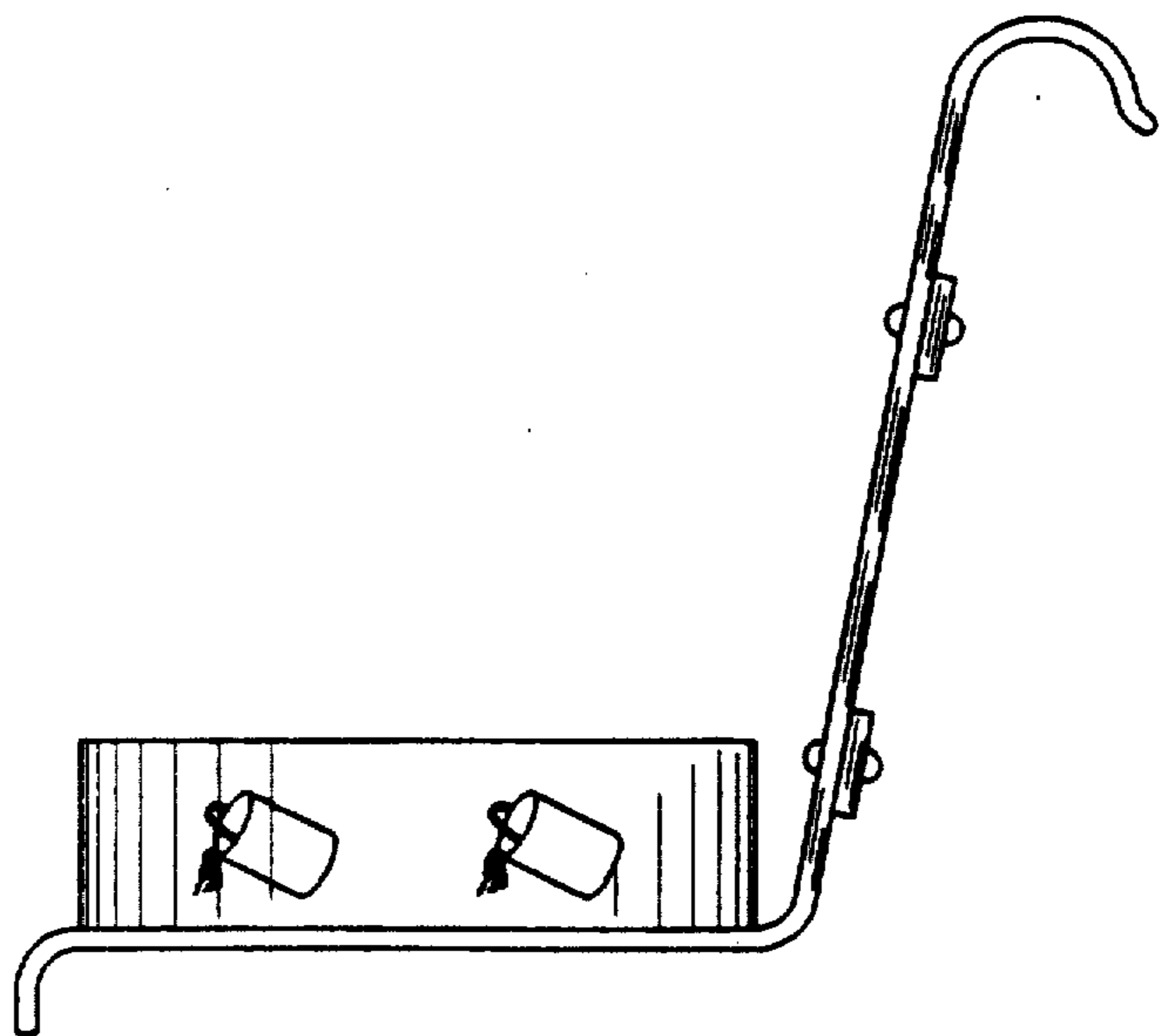


FIG. 5

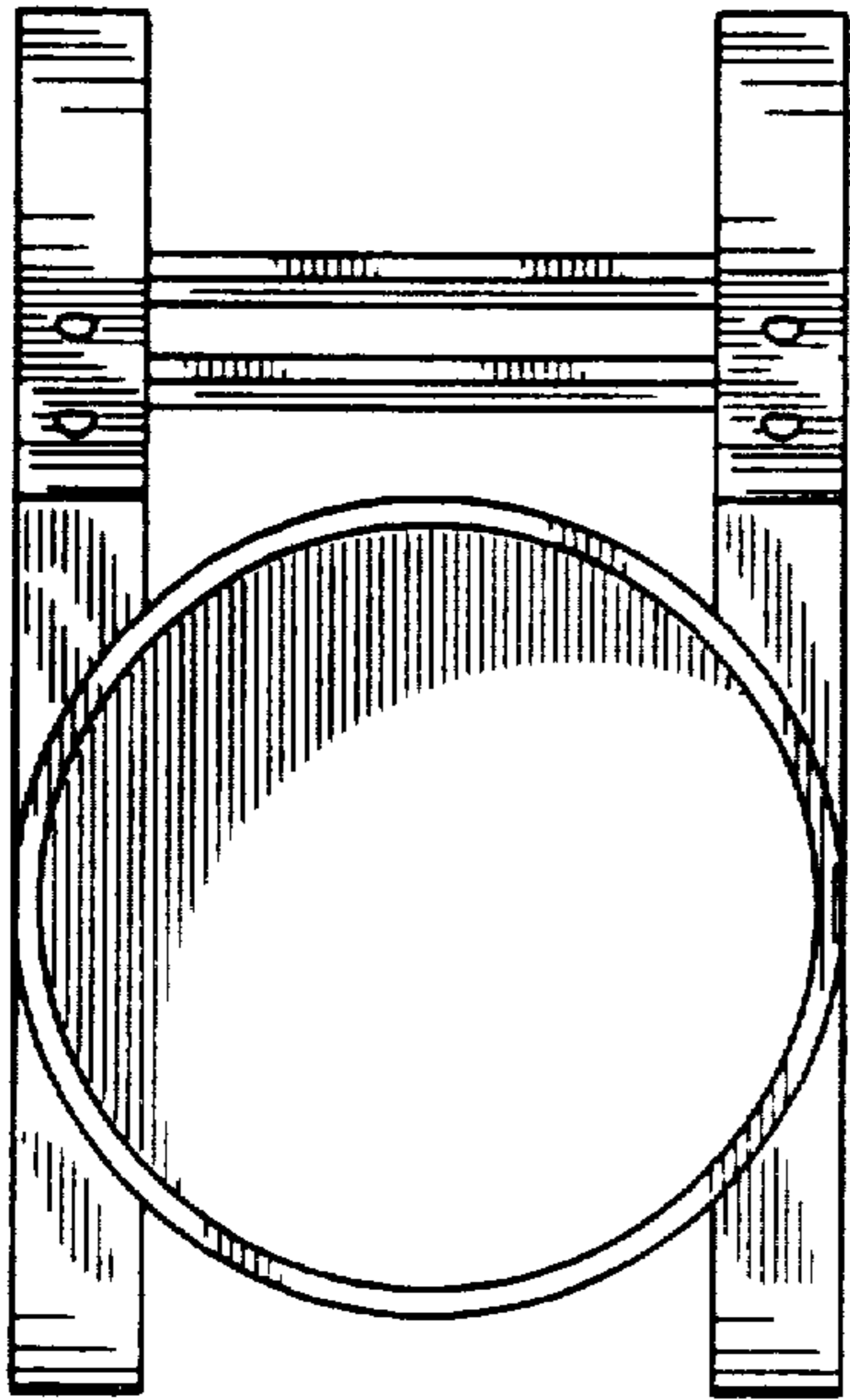


FIG. 6

