



US00D328164S

United States Patent [19]

[11] Patent Number: **Des. 328,164**

Mishan

[45] Date of Patent: **** Jul. 21, 1992**

[54] **STEAMER BODY**

D. 316,465	4/1991	Reiferscheid et al.	D32/17
D. 319,121	8/1991	Muller	D32/17
4,366,367	12/1982	Mazzucco	219/272

[75] Inventor: **Eddie Mishan, West Deal, N.Y.**

[73] Assignee: **E. Mishan & Sons, Inc., New York, N.Y.**

[**] Term: **14 Years**

[21] Appl. No.: **752,258**

[22] Filed: **Aug. 28, 1991**

[52] U.S. Cl. **D32/17**

[58] Field of Search **D32/17, 68-72; 219/245, 254; 68/222; 38/69, 74, 77.1, 77.4, 77.5, 77.7, 88, 90, 92**

OTHER PUBLICATIONS

Sisan Packaging 1990, Style #SI 003.

Primary Examiner—A. Hugo Word

Assistant Examiner—Ruth McInroy

Attorney, Agent, or Firm—Notaro & Michalos

[57] **CLAIM**

The ornamental design for a steamer body, as shown and described.

DESCRIPTION

FIG. 1 is a top, rear and right side perspective view of a steamer body showing my new design;

FIG. 2 is a top plan view thereof;

FIG. 3 is a right side elevational view thereof;

FIG. 4 is a left side elevational view thereof;

FIG. 5 is a front elevational view thereof; and,

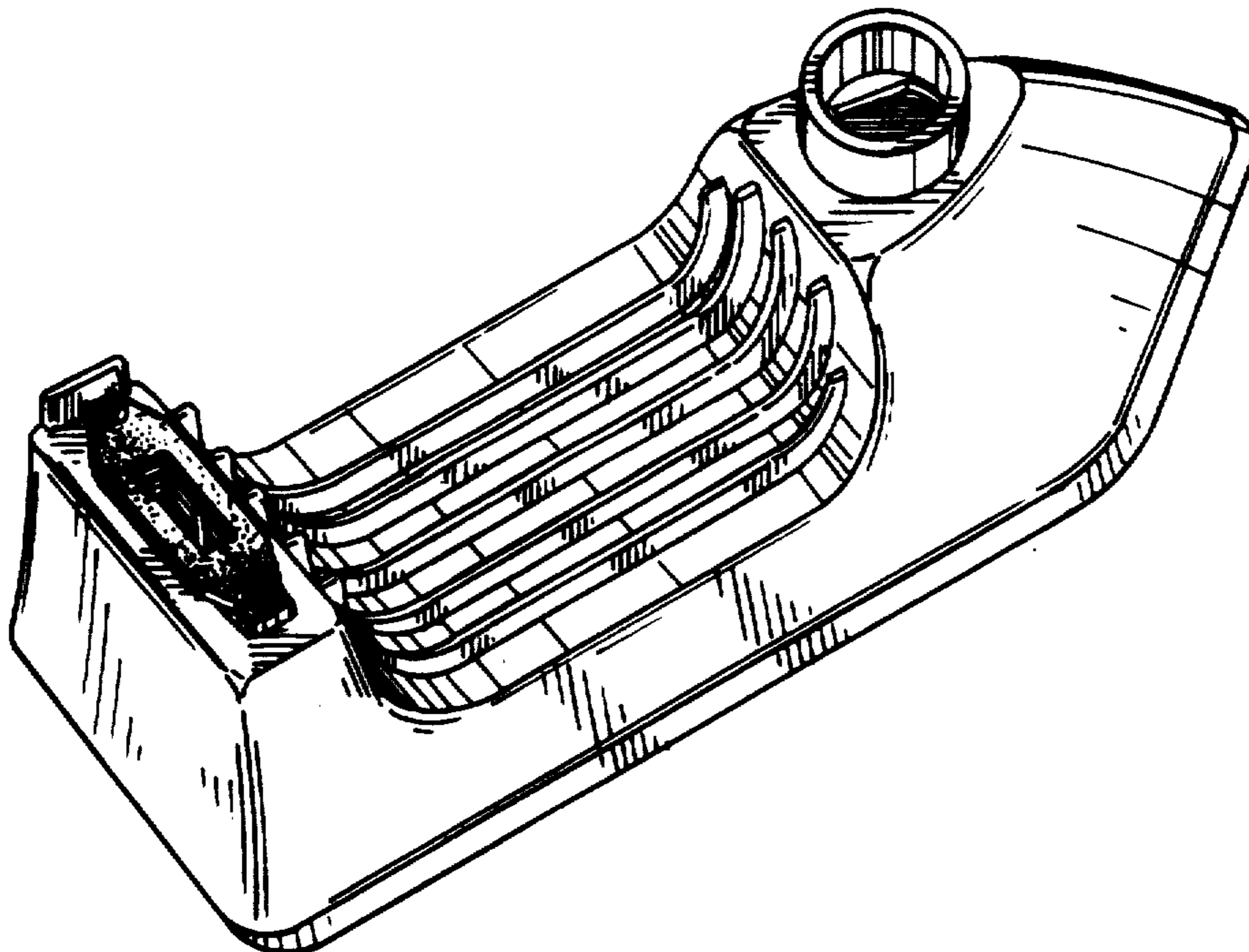
FIG. 6 is a rear elevational view thereof.

The base plate in FIGS. 3-6 and the handle in FIG. 4 are shown in broken lines for illustrative purposes only and form no part of the claimed design. The undisclosed bottom is flat and unornamented.

[56] **References Cited**

U.S. PATENT DOCUMENTS

D. 240,997	8/1976	Julkenbeck	D32/70
D. 283,744	5/1986	Watanabe et al.	D32/69
D. 283,934	5/1986	Tsuji	D32/69
D. 286,095	10/1986	Van Asten	D32/70
D. 287,892	1/1987	Rosa et al.	D32/17
D. 294,987	3/1988	Muller et al.	D32/17
D. 300,479	3/1989	Paulin	D32/69
D. 301,074	5/1989	Terraillon	D32/70
D. 307,959	5/1990	Rosa et al.	D32/17



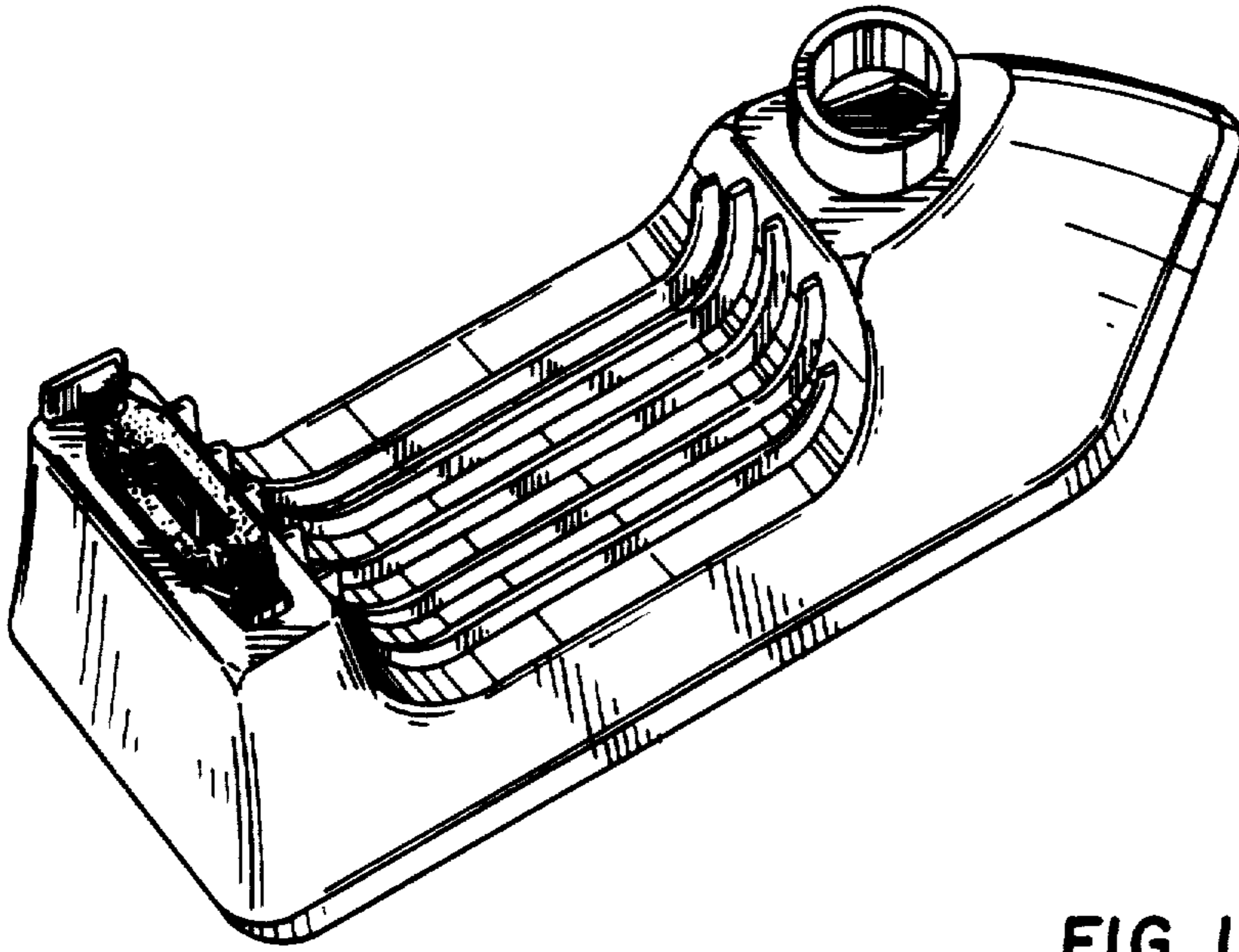


FIG. 1

FIG. 2

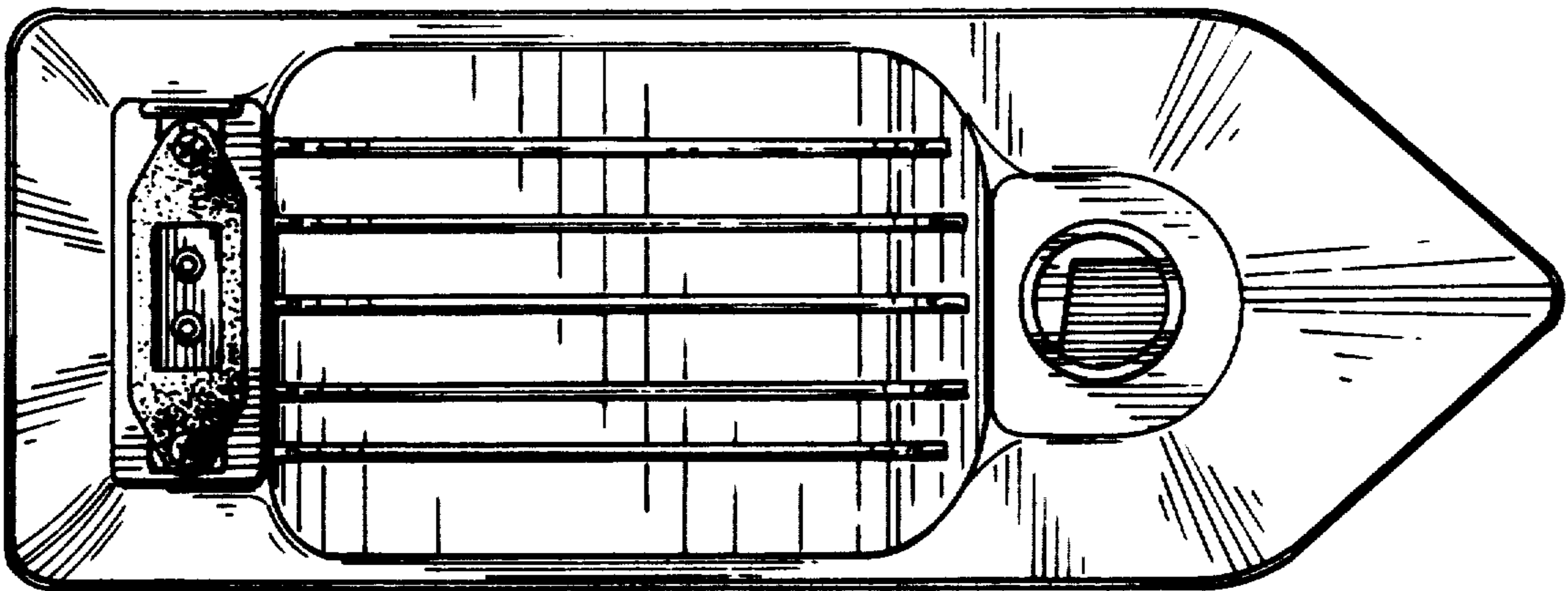


FIG. 3

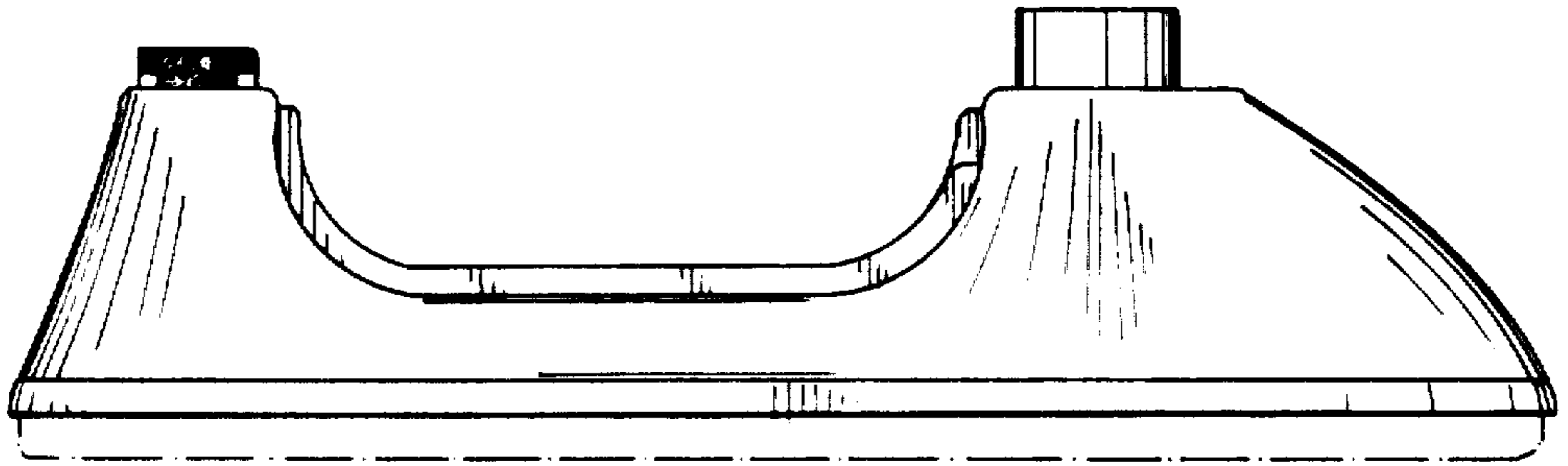


FIG. 4

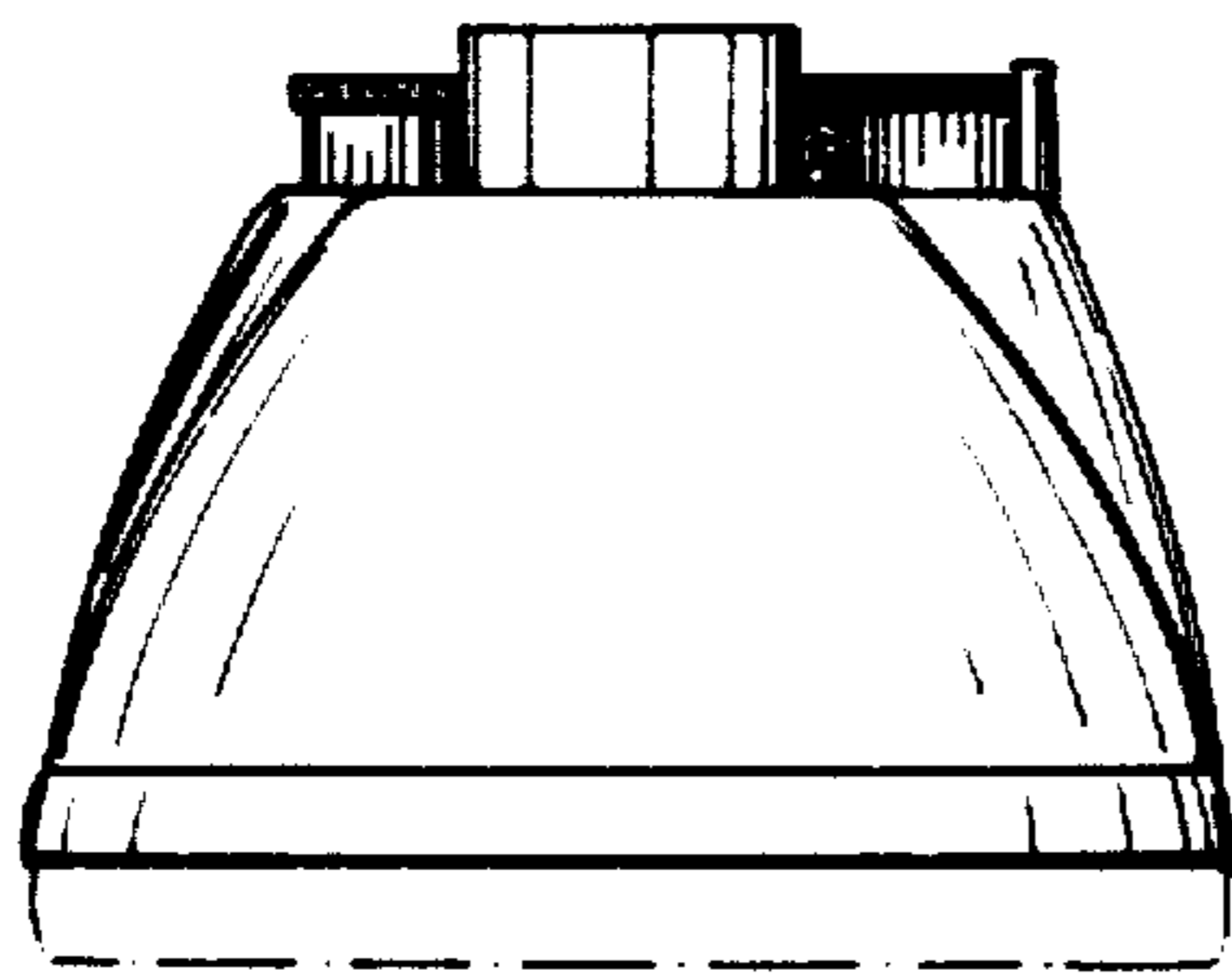
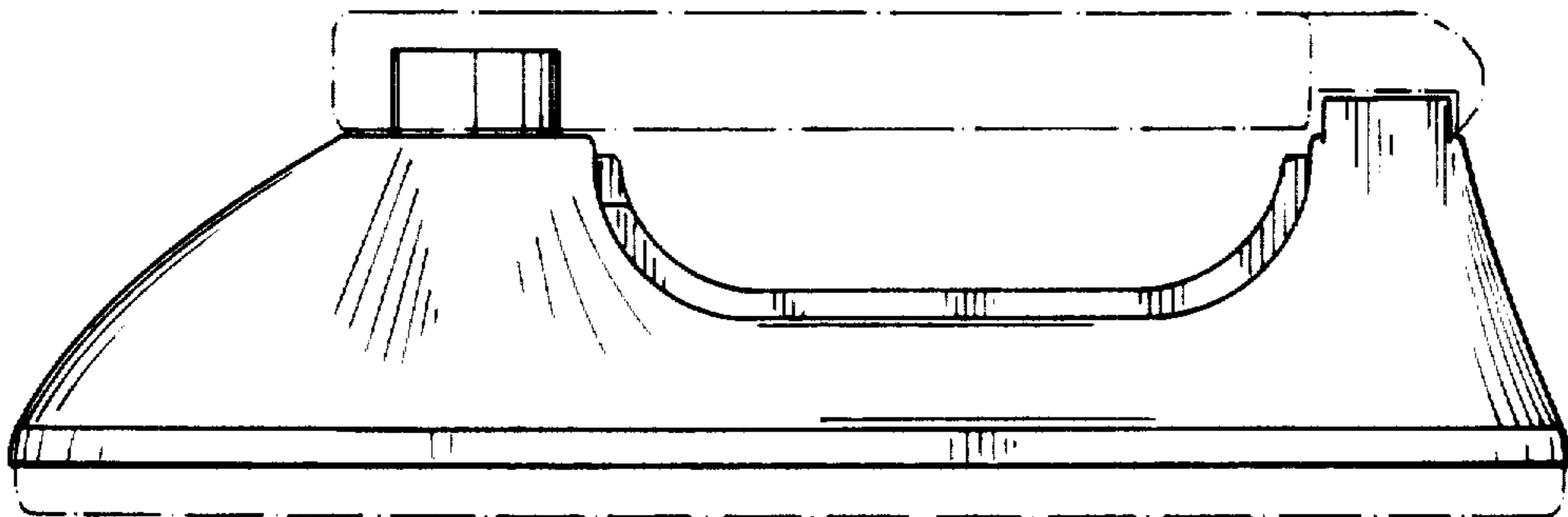


FIG. 5

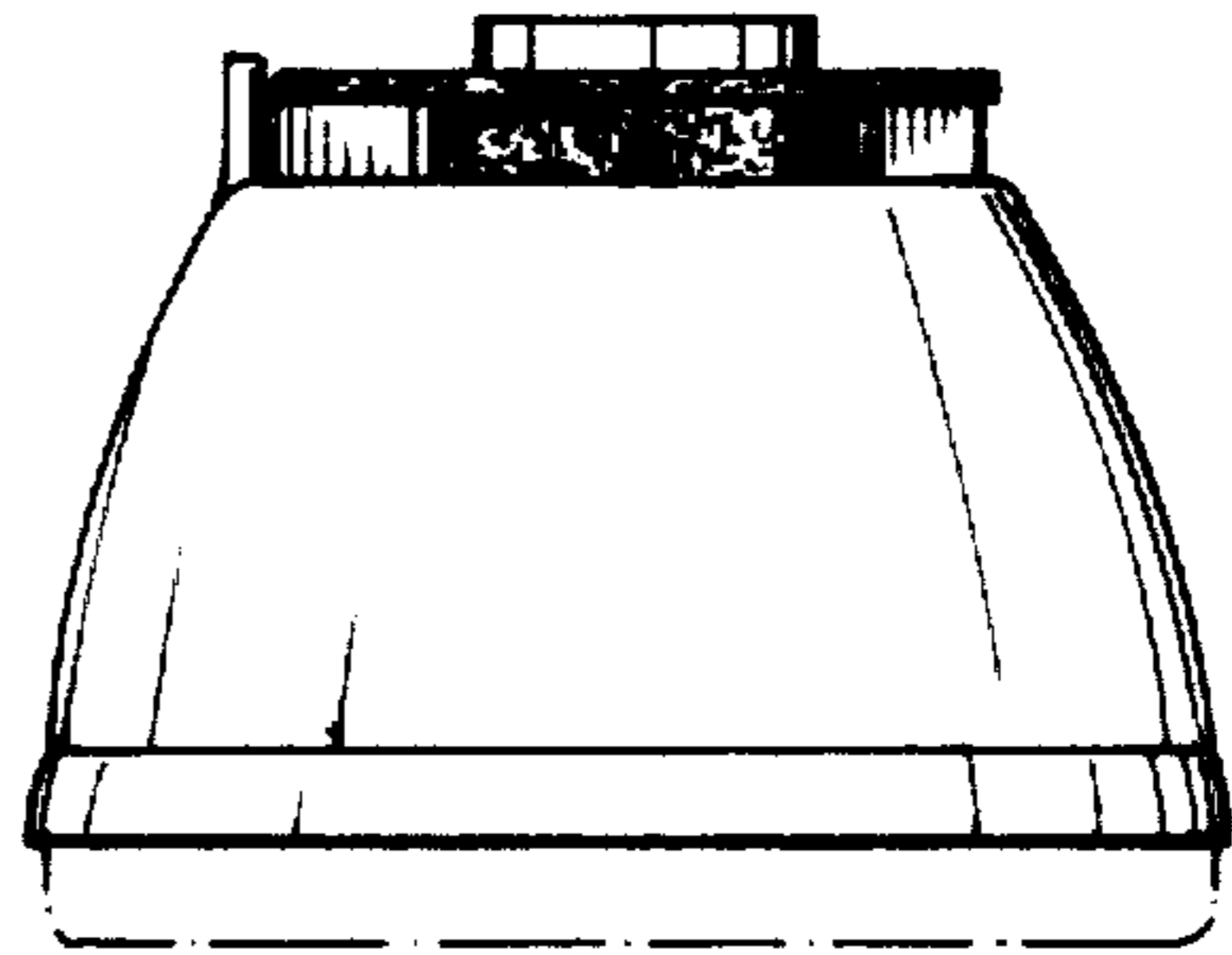


FIG. 6