



US00D328161S

United States Patent [19]

[11] Patent Number: **Des. 328,161**

Welch et al.

[45] Date of Patent: **** Jul. 21, 1992**

[54] COMBINED FLARE CARRIER AND FLARE IGNITER

[76] Inventors: **Charles L. Welch**, 3816 Modesto Dr.;
Thomas L. Cunningham, 3831 Modesto Dr., both of San Bernardino, Calif. 92404

[**] Term: **14 Years**

[21] Appl. No.: **521,940**

[22] Filed: **May 11, 1990**

[52] U.S. Cl. **D29/99; D3/30.5; D3/30.1; D22/112; D7/417**

[58] Field of Search **D29/99; D10/121; D8/71; D3/30.1, 20, 26, 30.5, 105; 312/DIG. 33; 206/349, 350, 803; D22/112; 102/336, 340, 351, 342; D7/416, 417**

[56] References Cited

U.S. PATENT DOCUMENTS

D. 138,661	8/1944	Silfen	D3/30.5
D. 235,160	5/1975	Zevin	D8/71
D. 238,979	2/1976	Perry et al.	D29/99
D. 305,179	12/1989	Collister	D3/105
1,977,530	10/1934	Smith	D3/30.5
2,772,437	12/1956	Alsen	D3/30.5
2,798,245	7/1957	Kesler	D3/30.5

FOREIGN PATENT DOCUMENTS

520599 1/1956 Canada D3/30.5

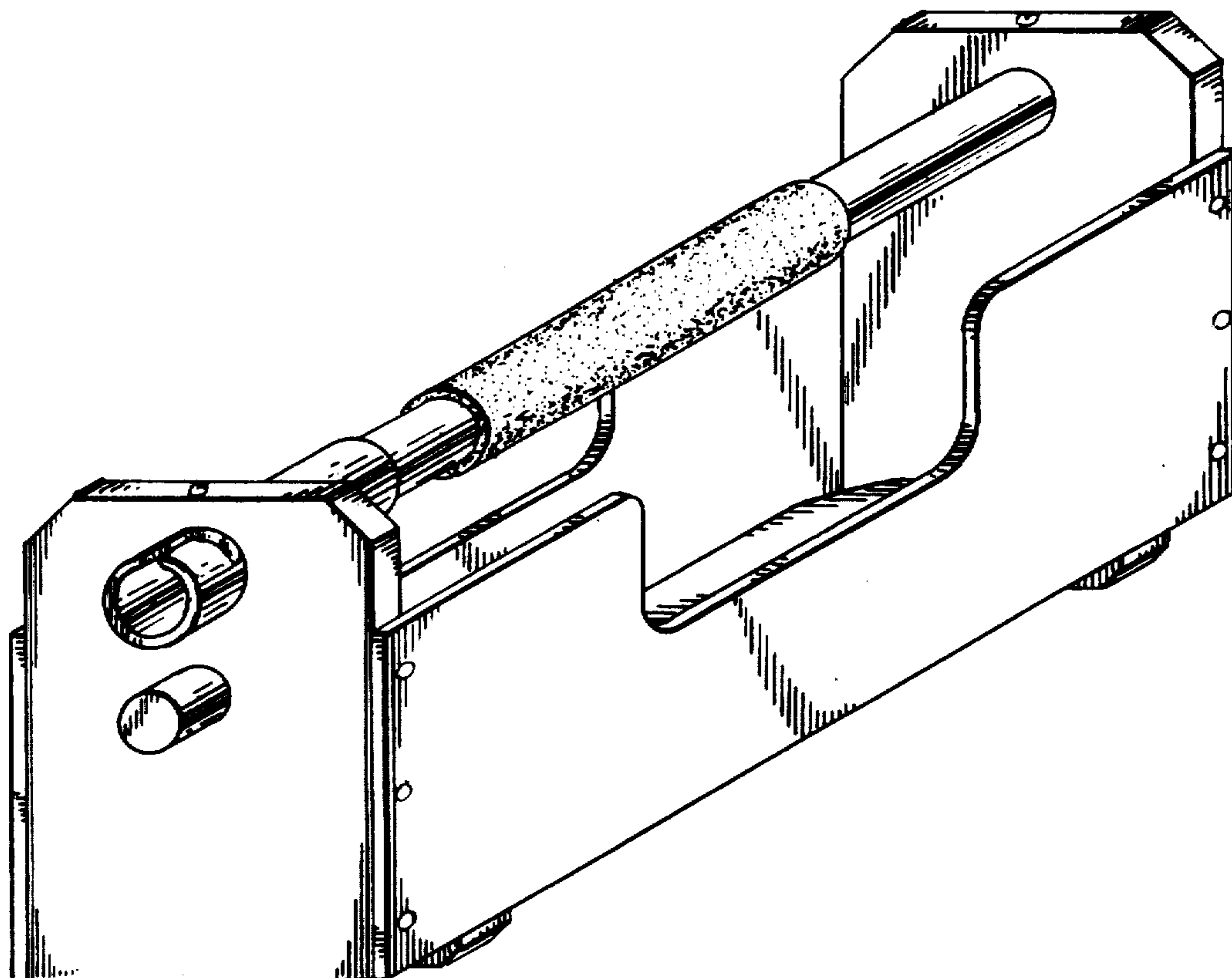
Primary Examiner—Wallace R. Burke
Assistant Examiner—Marcus Jackson
Attorney, Agent, or Firm—John H. Crowe

[57] CLAIM

The ornamental design for a combined flare carrier and flare igniter, as shown and described.

DESCRIPTION

FIG. 1 is a perspective view of a combined flare carrier and flare igniter showing our new design; FIG. 2 is a front elevational view thereof; FIG. 3 is a rear elevational view thereof; FIG. 4 is a left side elevational view thereof; FIG. 5 is a top plan view thereof; FIG. 6 is a right side elevational view thereof; FIG. 7 is a bottom plan view thereof; FIG. 8 is a perspective view of a second embodiment thereof; FIG. 9 is a front elevational view thereof; FIG. 10 is a rear elevational view thereof; FIG. 11 is a left side elevational view thereof; FIG. 12 is a top plan view thereof; FIG. 13 is a right side elevational view thereof; and, FIG. 14 is a bottom plan view thereof.



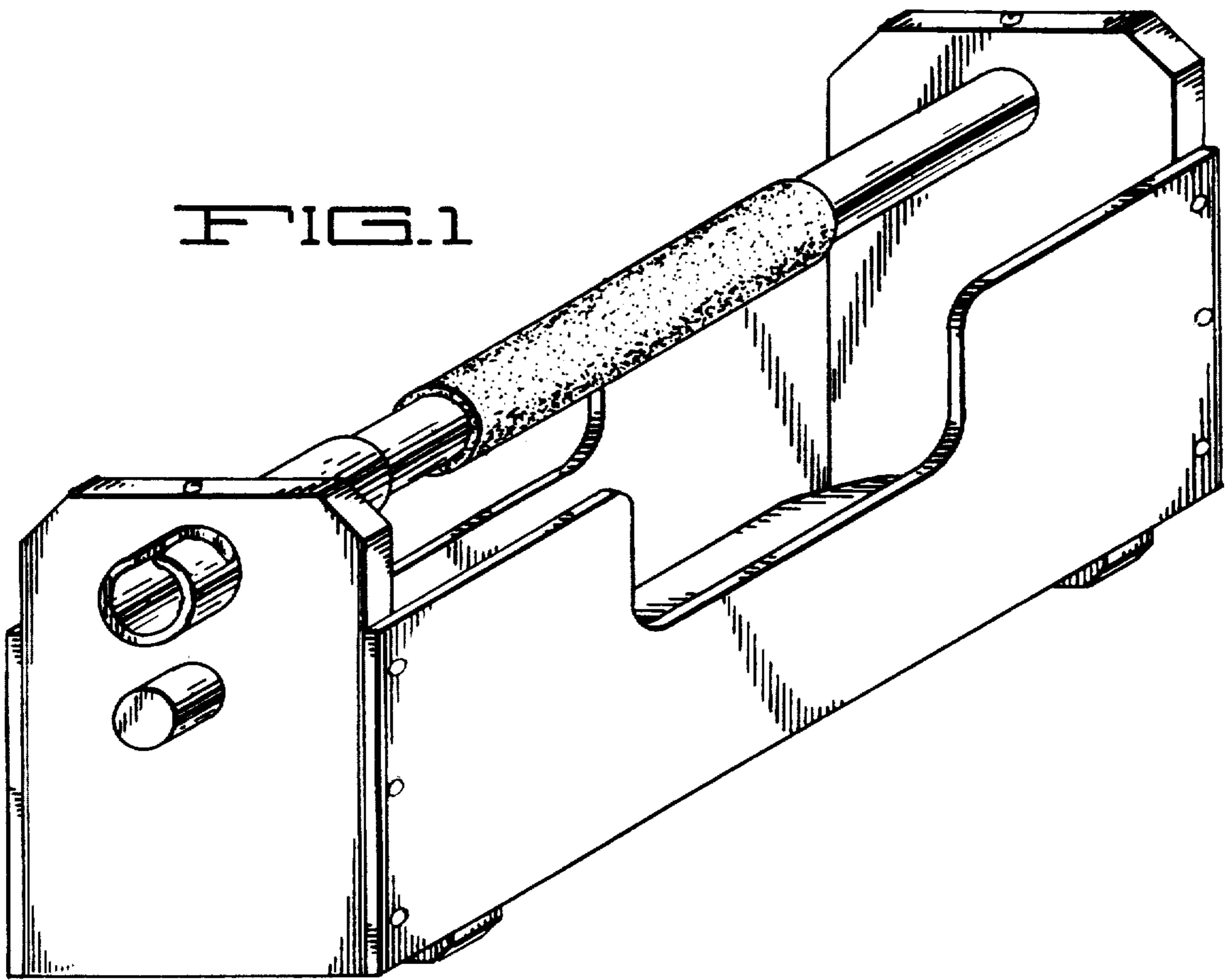


FIG. 1

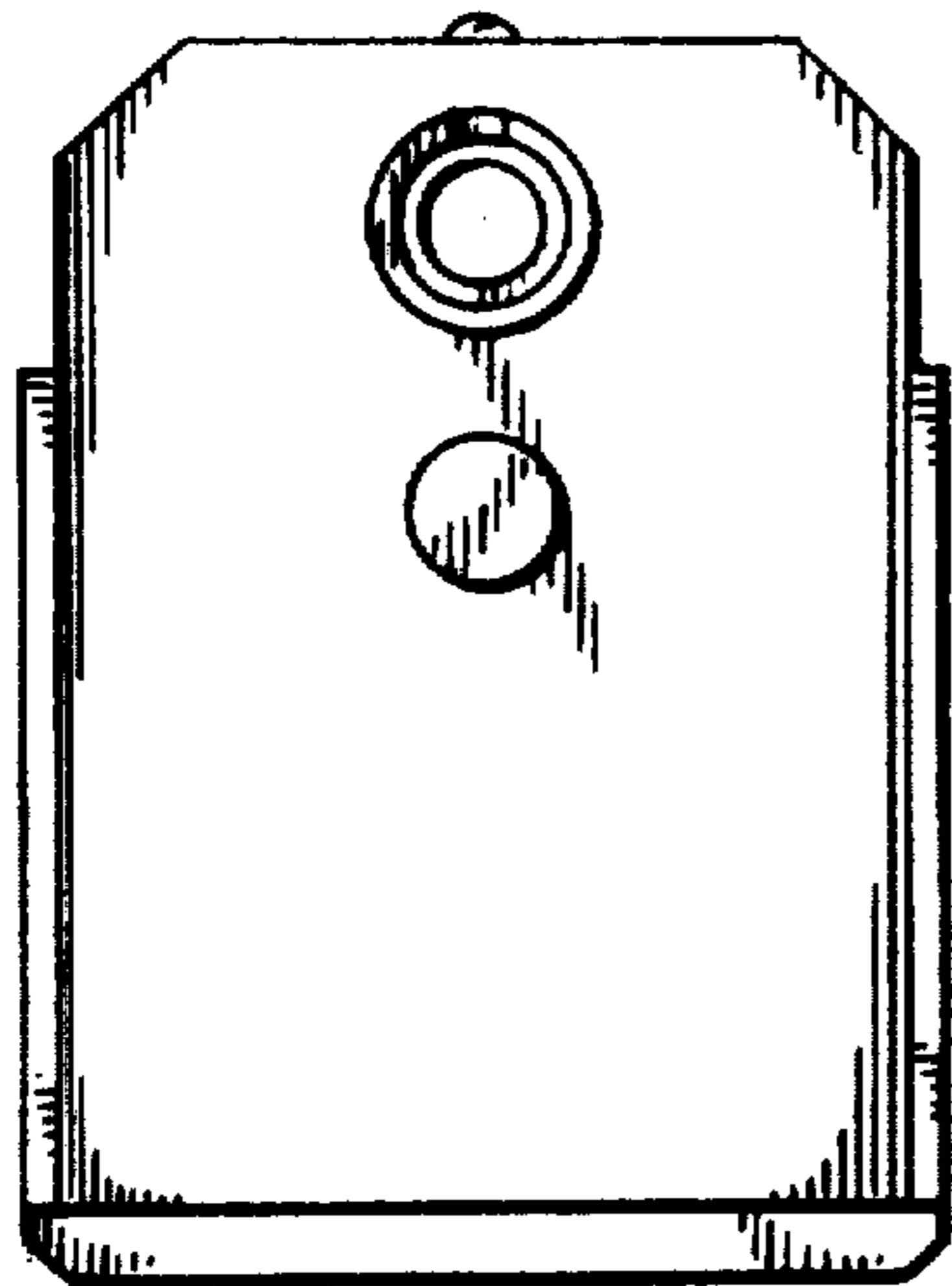


FIG. 2

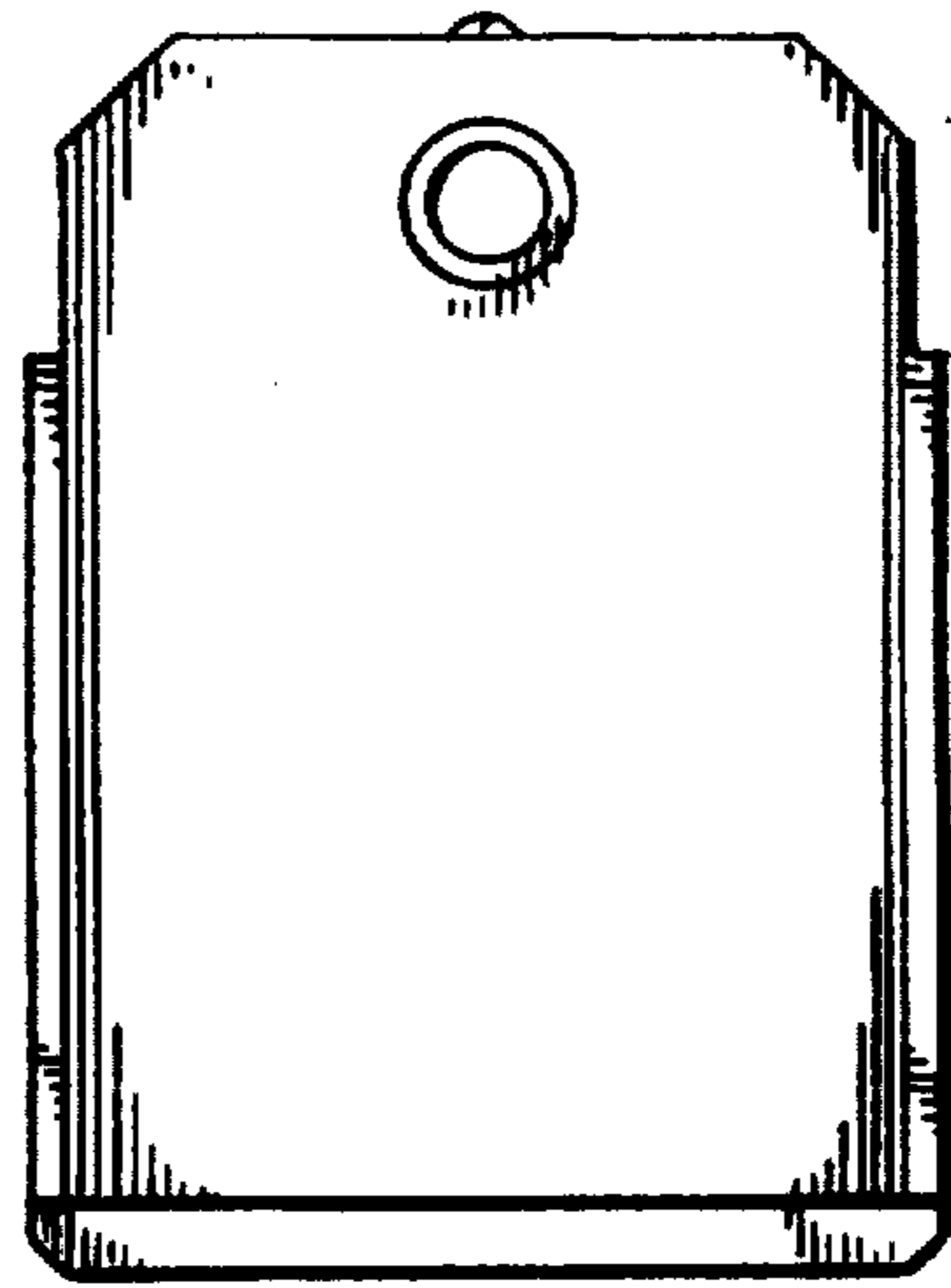


FIG. 3

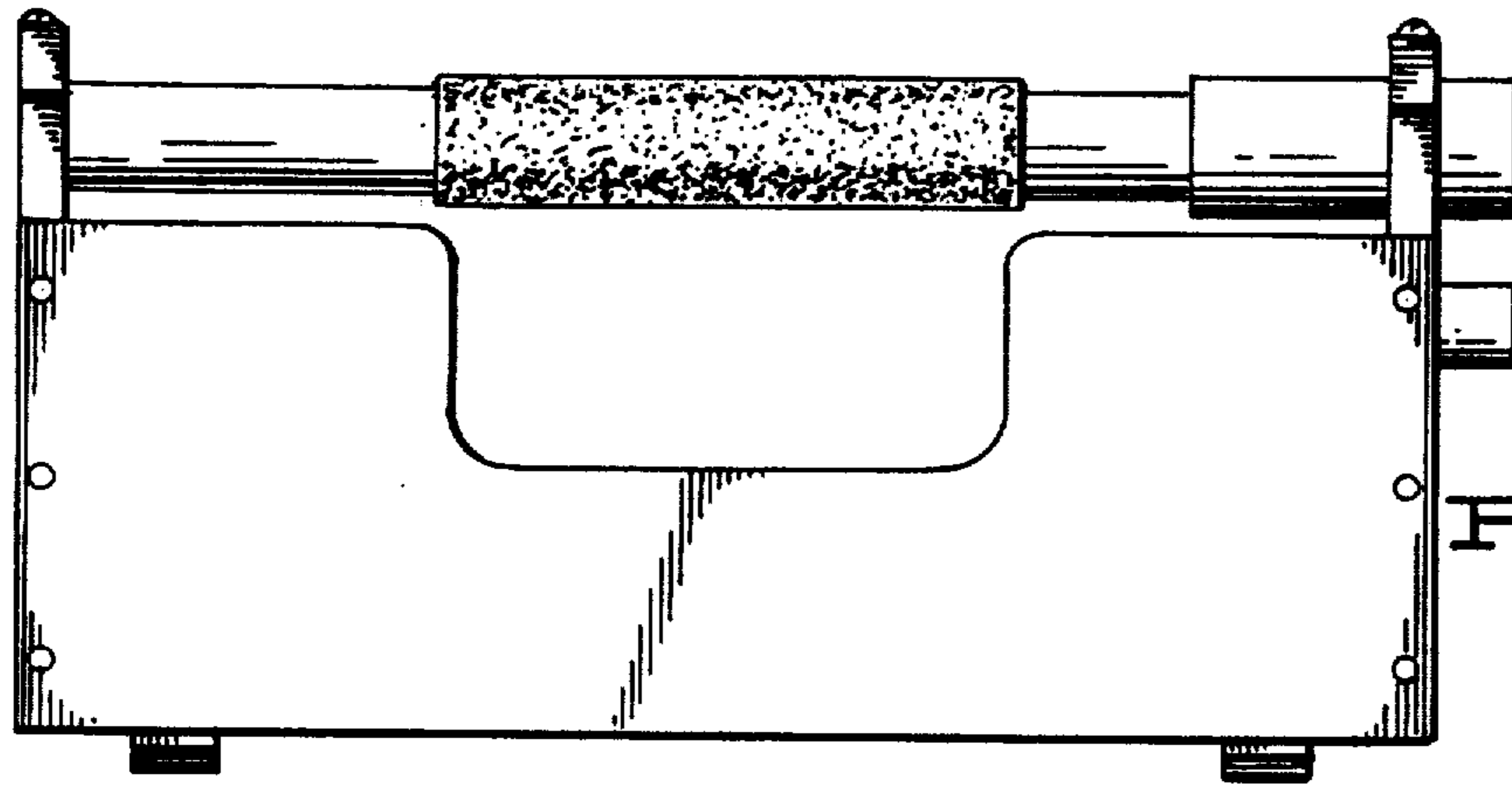


FIG. 4

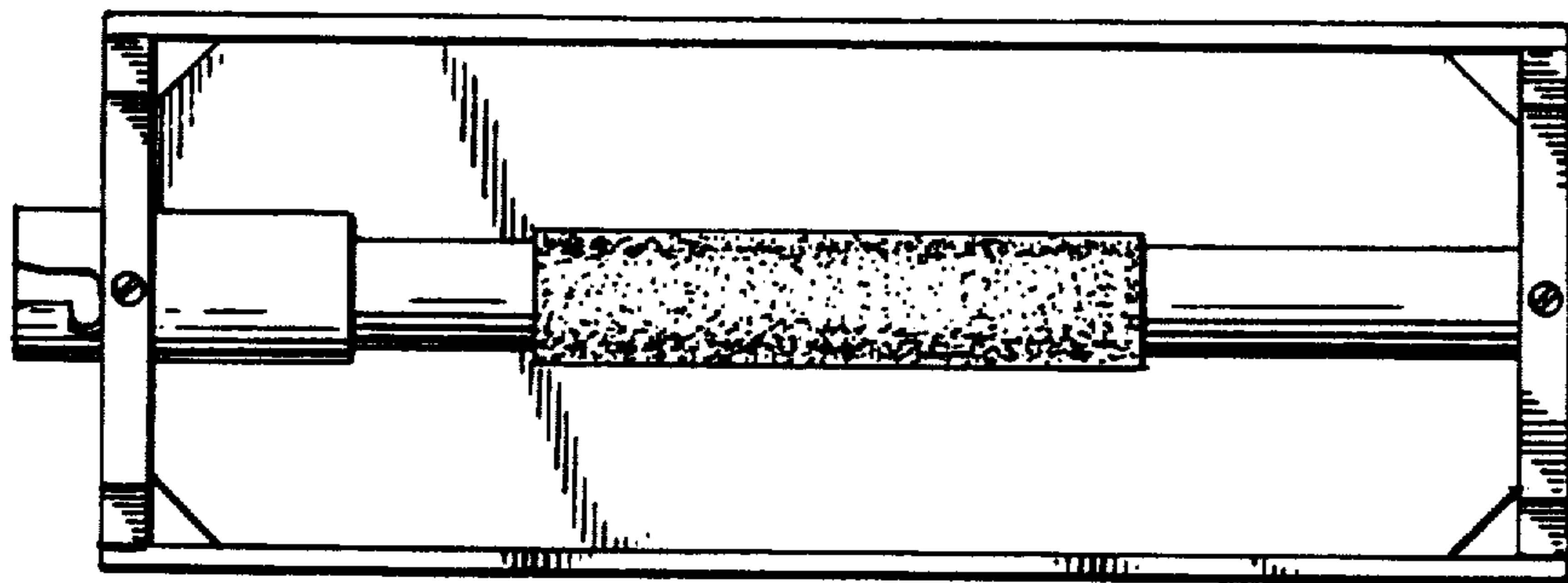


FIG. 5

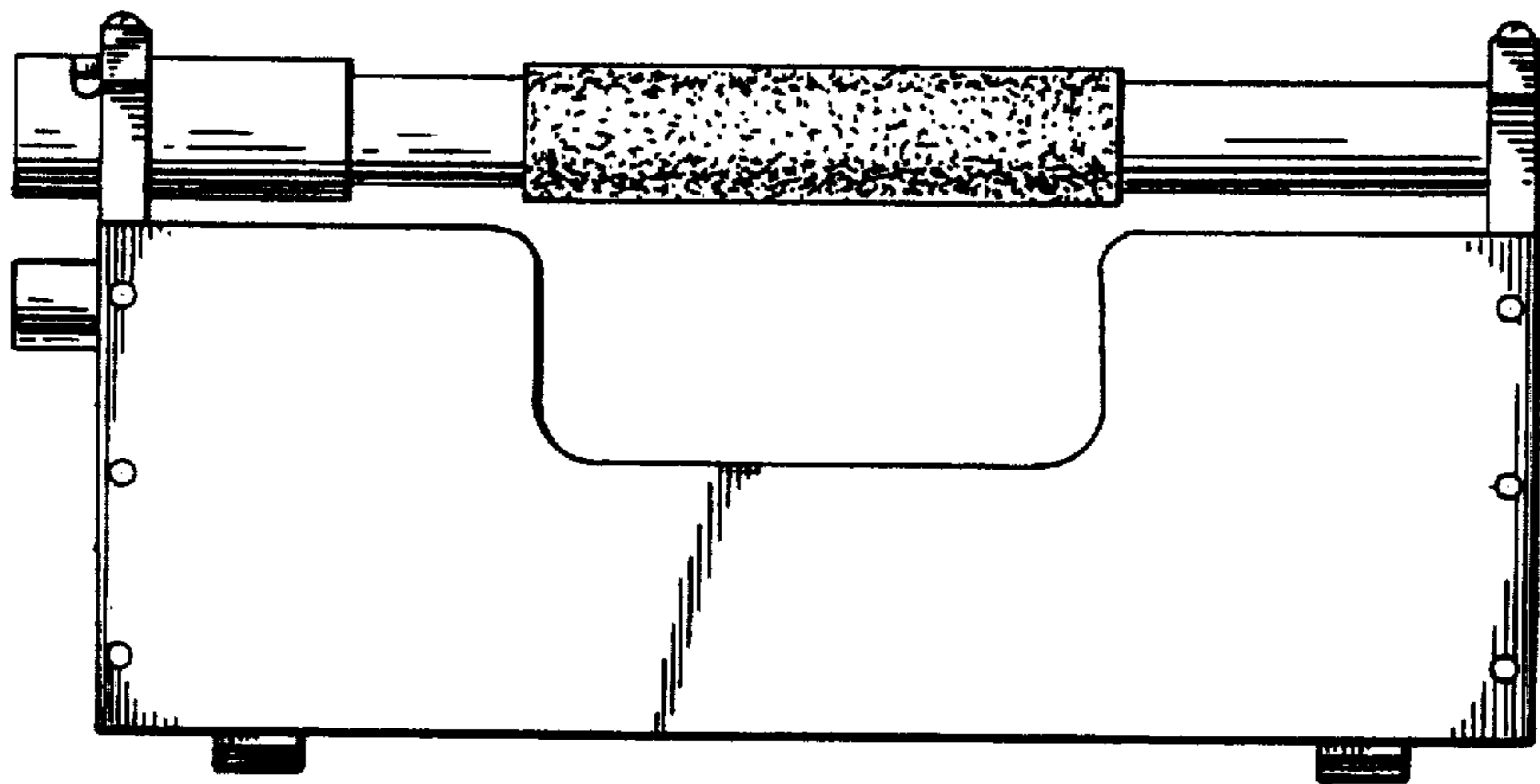


FIG. 6

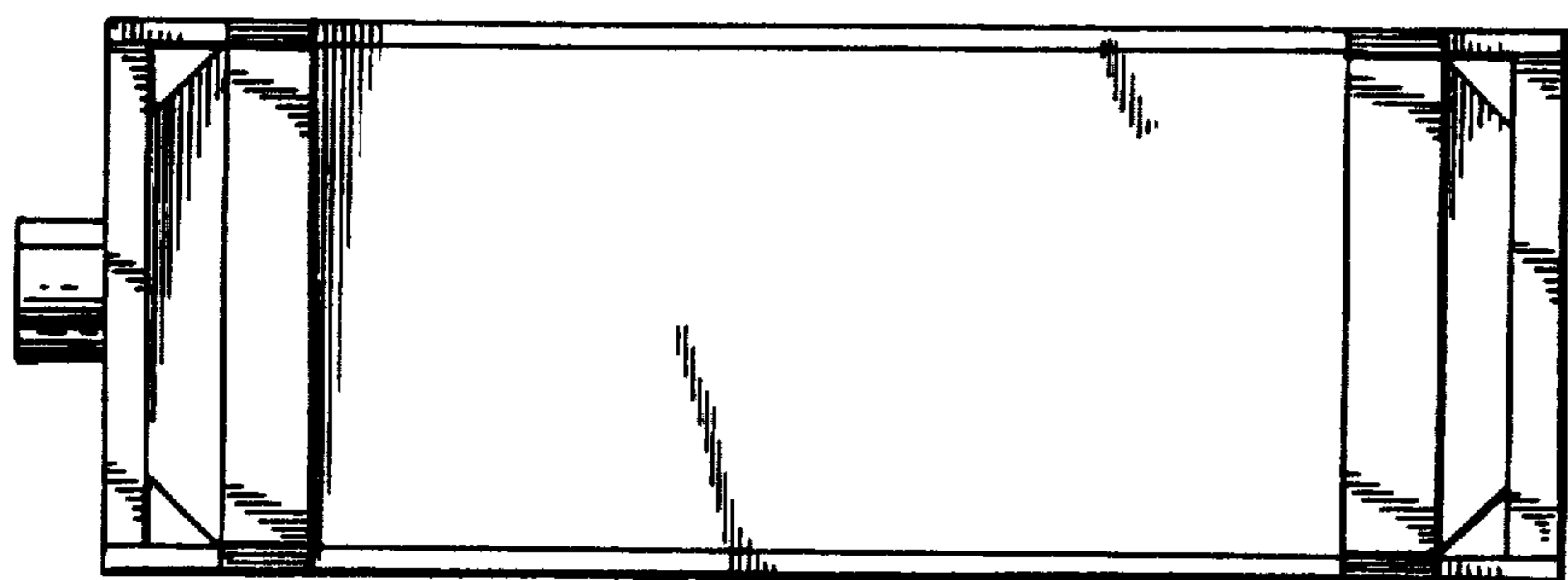


FIG. 7

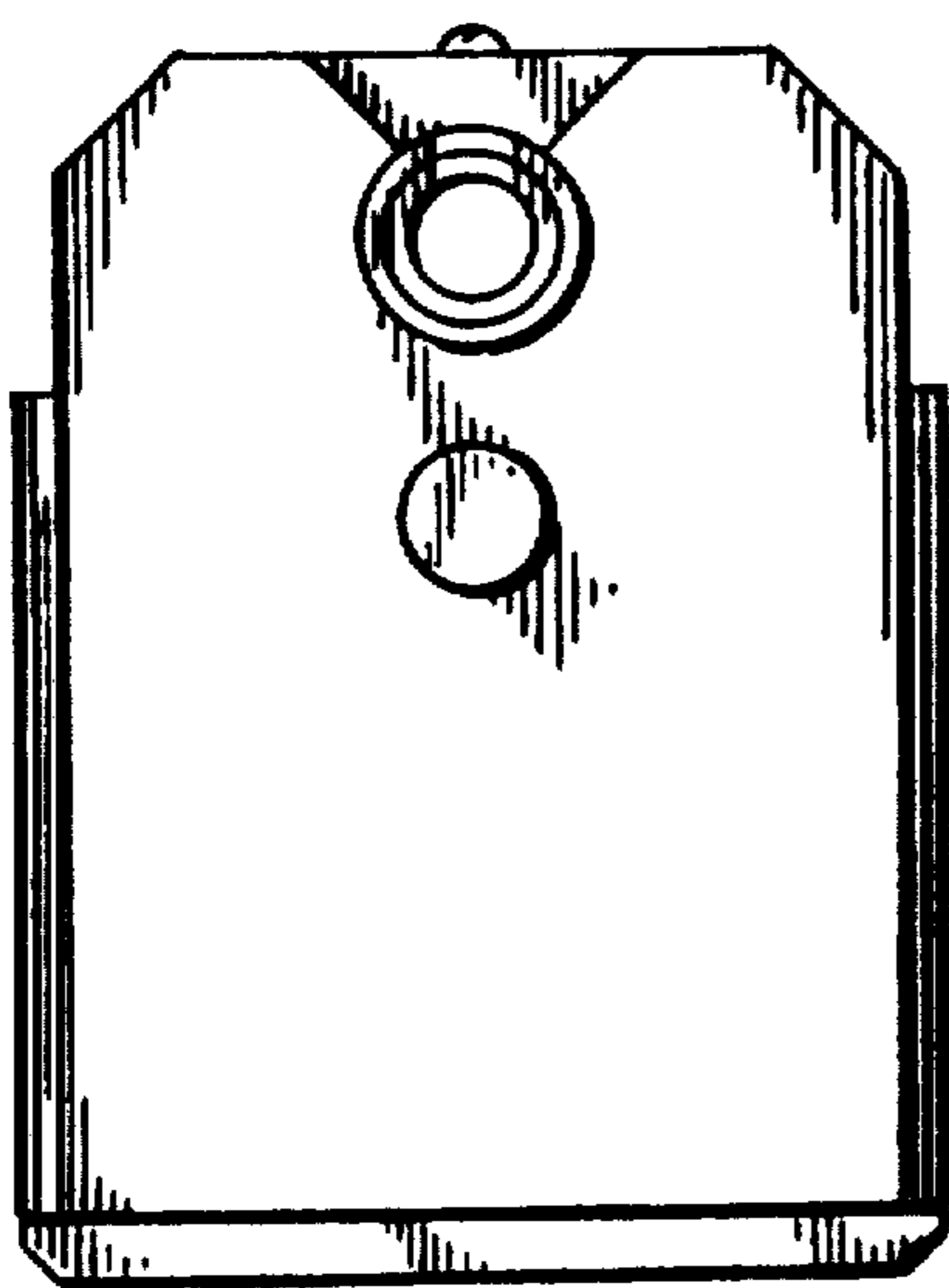
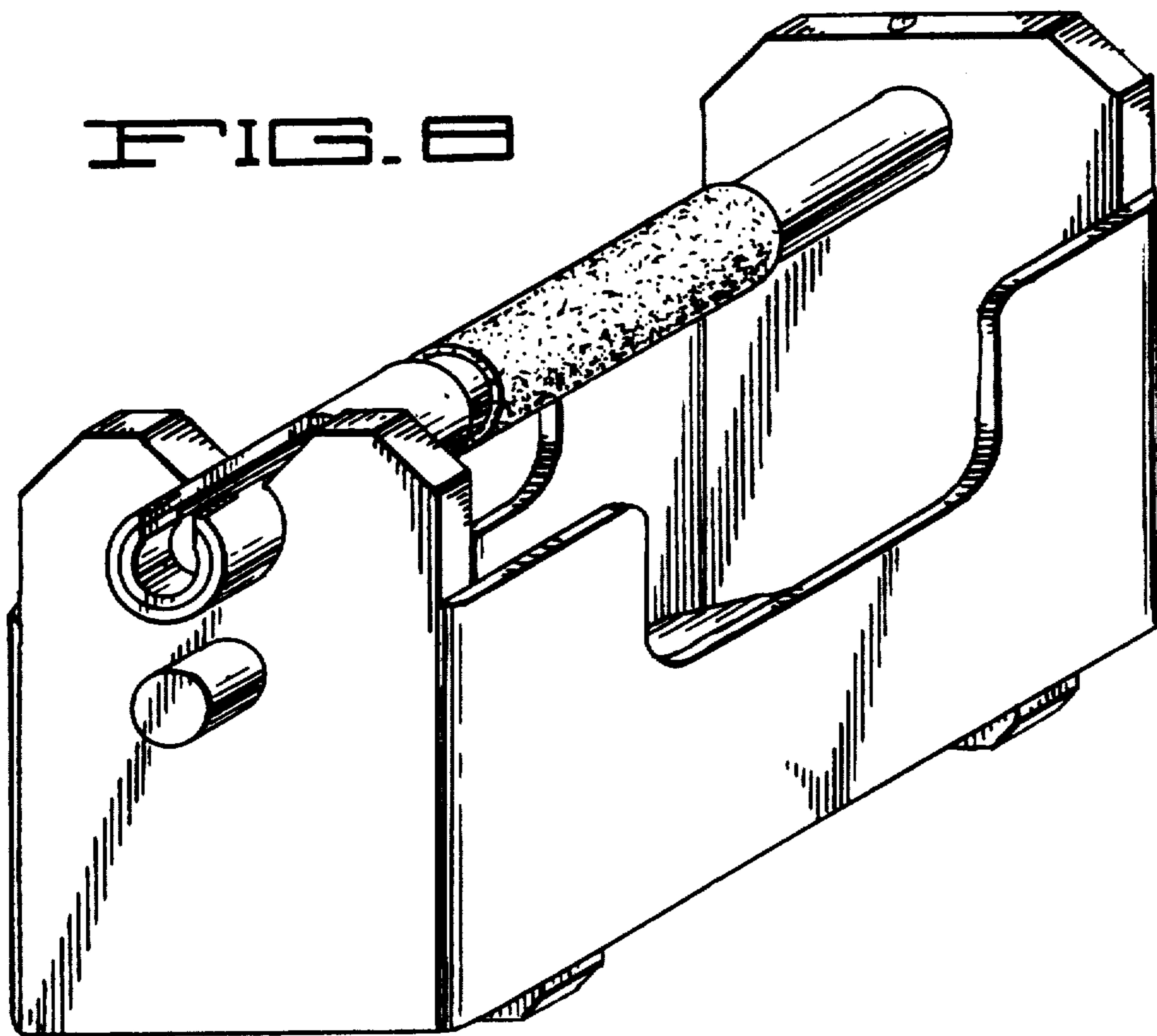


FIG. 9

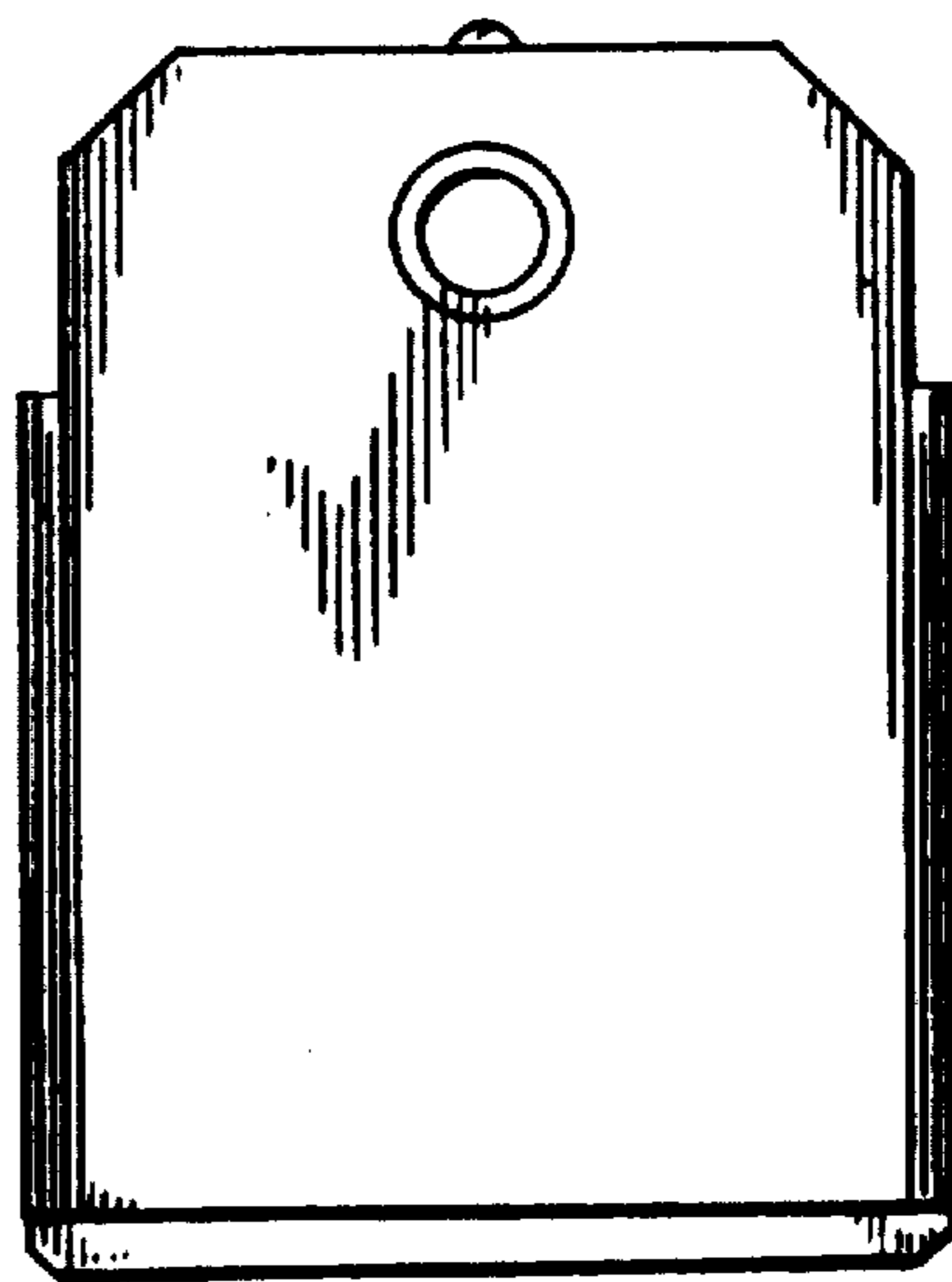


FIG. 10

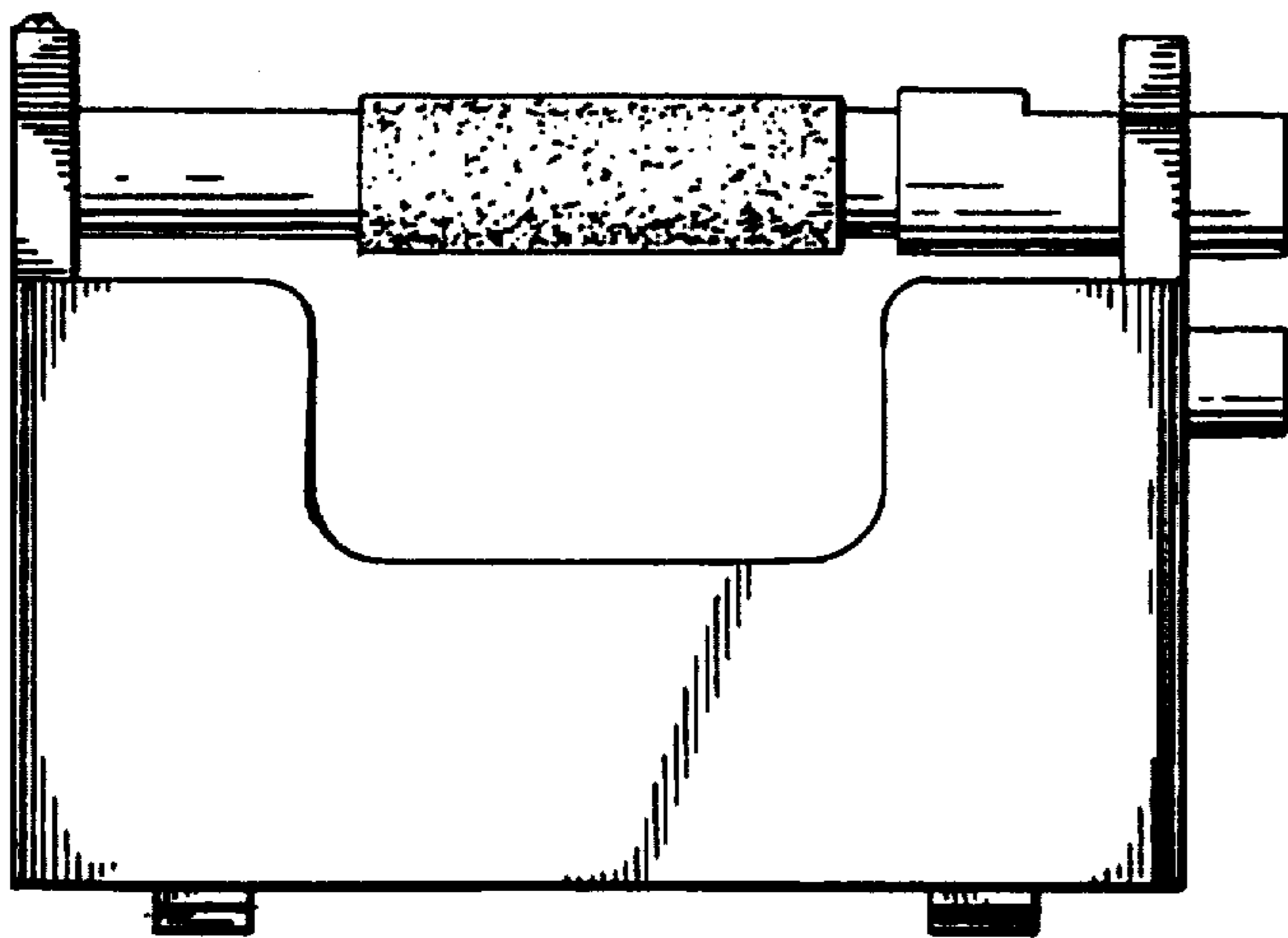


FIG. 11

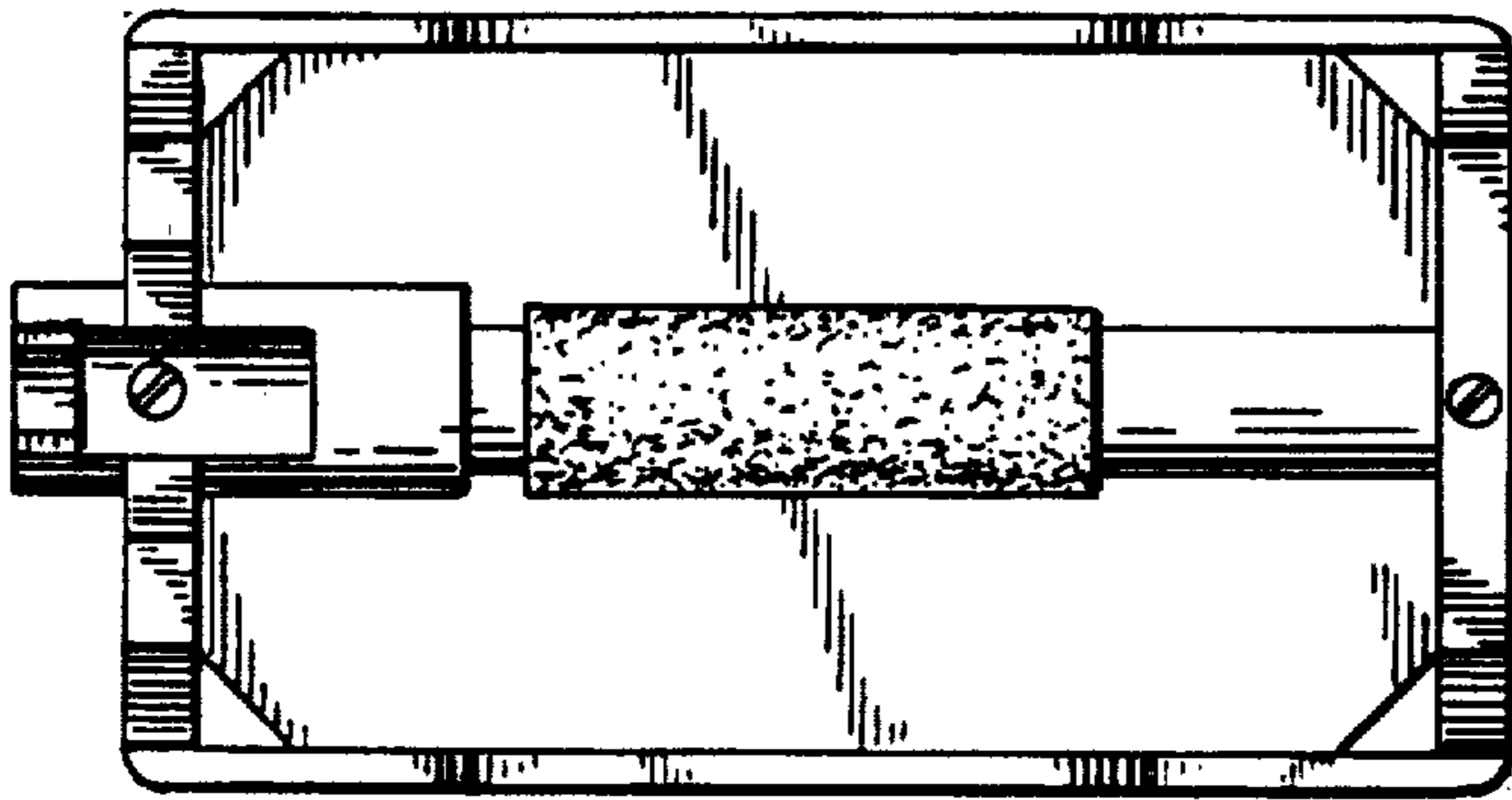


FIG. 12

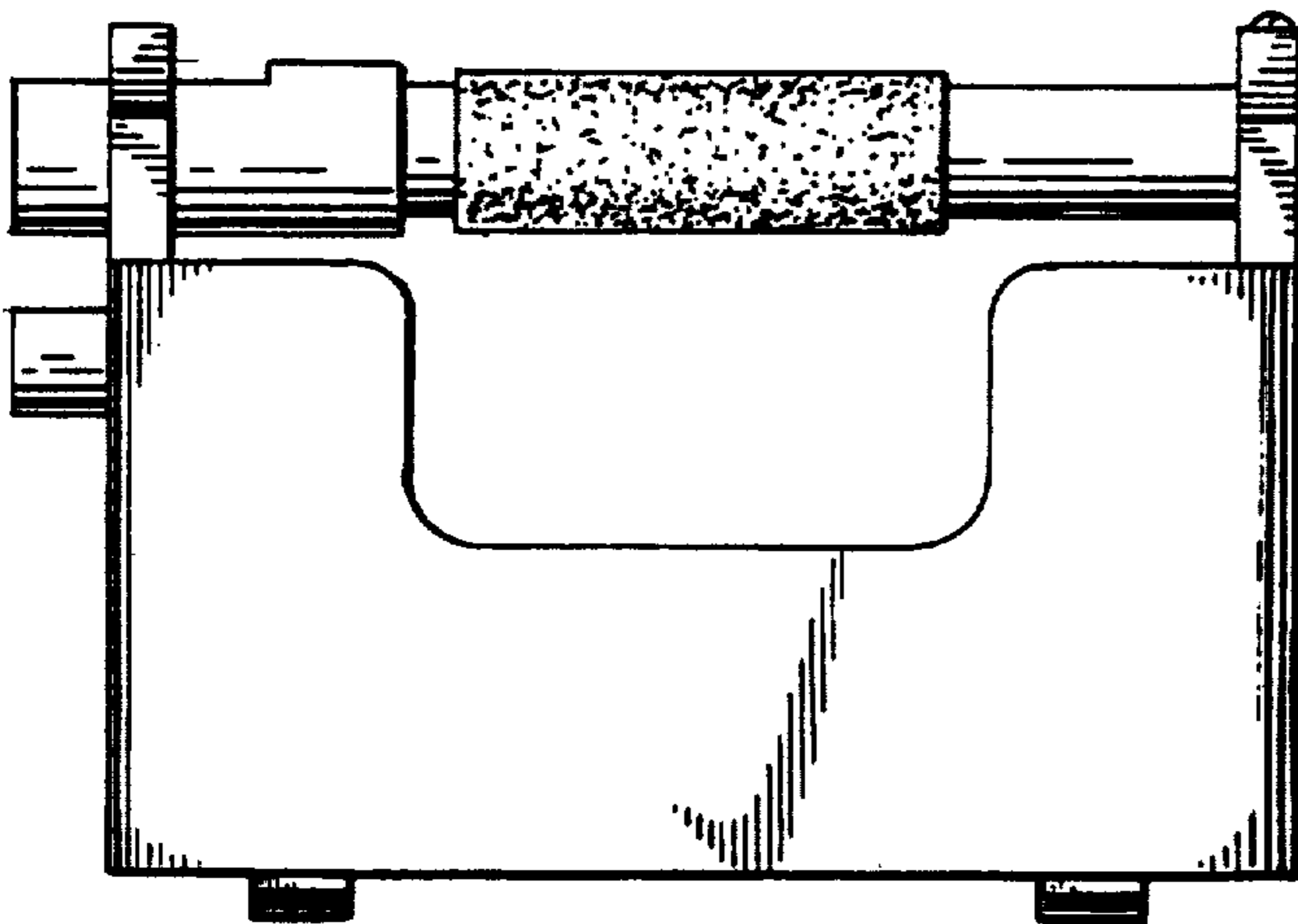


FIG. 13

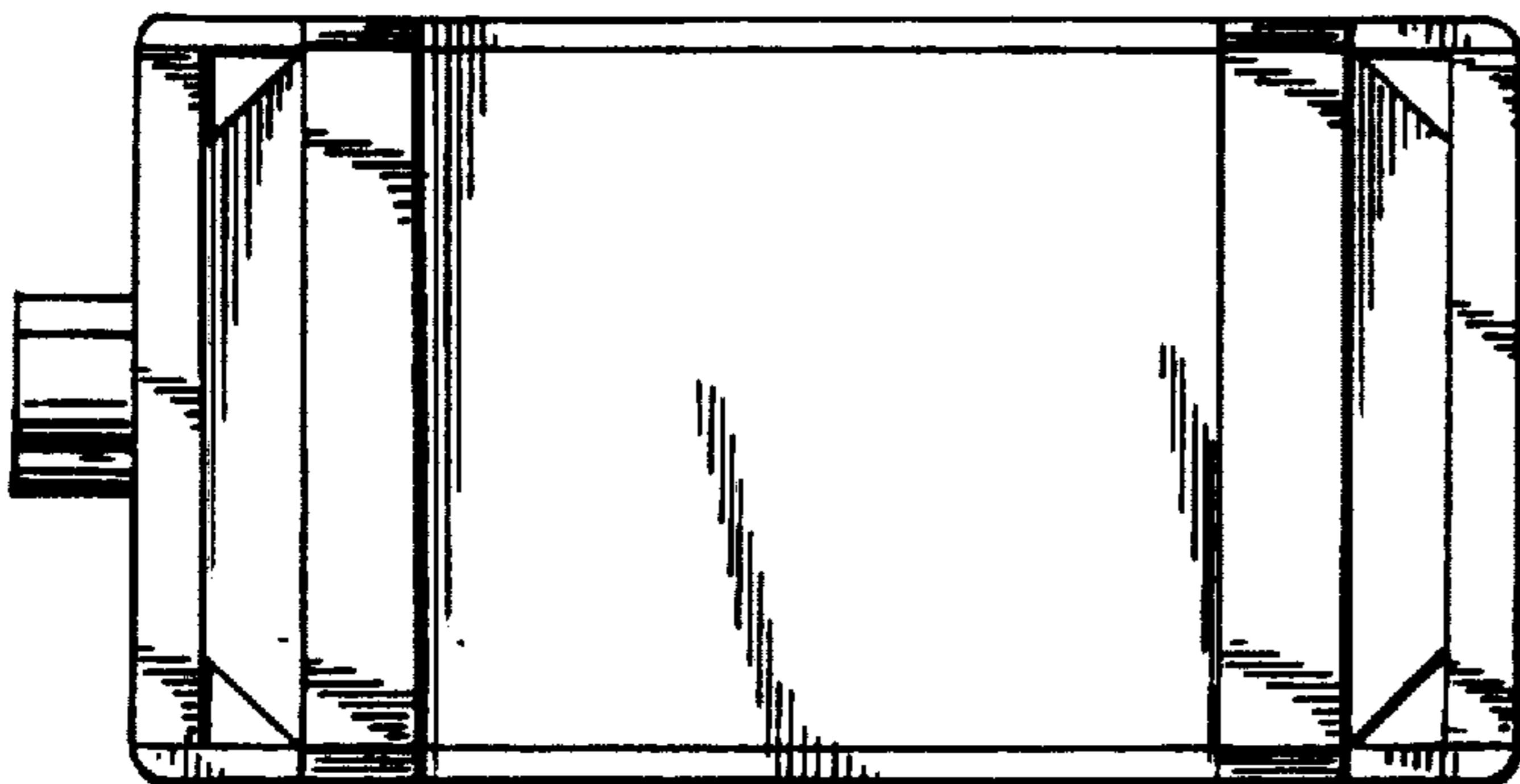


FIG. 14