



US00D328149S

# United States Patent [19]

[11] Patent Number: Des. 328,149

Roberts

[45] Date of Patent: \*\* Jul. 21, 1992

[54] COMBINED ADJUSTABLE LAMP AND REFLECTOR FOR PHOTOGRAPHIC LIGHTING OR THE LIKE

3,382,356 5/1968 Eyth ..... D26/64 X  
3,851,164 11/1974 Intrator ..... 362/18 X  
3,852,582 12/1974 Lowell ..... 362/18 X

[76] Inventor: Kemp M. Roberts, 100 East Broadway, Butte, Mont. 59701

Primary Examiner—Susan J. Lucas  
Attorney, Agent, or Firm—Leon Gilden

[\*\*] Term: 14 Years

[57] CLAIM

[21] Appl. No.: 448,818

The ornamental design for combined adjustable lamp and reflector for photographic lighting or the like, as shown and described.

[22] Filed: Dec. 12, 1989

[52] U.S. Cl. .... D26/64

[58] Field of Search ..... 362/418, 419, 427, 269, 362/410-414, 431, 282, 285, 97, 3, 11, 12, 16, 18; D26/138, 140, 102, 58, 51, 93, 102-112, 61, 63, 64, 65, 66; 248/121, 122, 127, 163.1, 168, 431, 432, 170, 173, 441.1, 449

### DESCRIPTION

[56] References Cited

#### U.S. PATENT DOCUMENTS

D. 54,096 11/1919 Katzenstein ..... D26/64  
D. 171,172 12/1953 Swede ..... D26/64 X  
406,299 7/1889 Overpeck ..... 362/12 X  
1,888,600 11/1932 Luder ..... D26/102 X  
2,827,553 3/1958 Riches ..... 362/18

FIG. 1 is a front elevational view of combined adjustable lamp and reflector for photographic lighting or the like showing my new design;  
FIG. 2 is a rear elevational view thereof;  
FIG. 3 is a left side elevational view thereof;  
FIG. 4 is a right side elevational view thereof;  
FIG. 5 is a top plan view thereof;  
FIG. 6 is a bottom plan view thereof; and,  
FIG. 7 is a front elevational view thereof with the adjustable light and reflector in alternate positions.  
The stand is broken away in the elevational views to indicate indeterminate length.

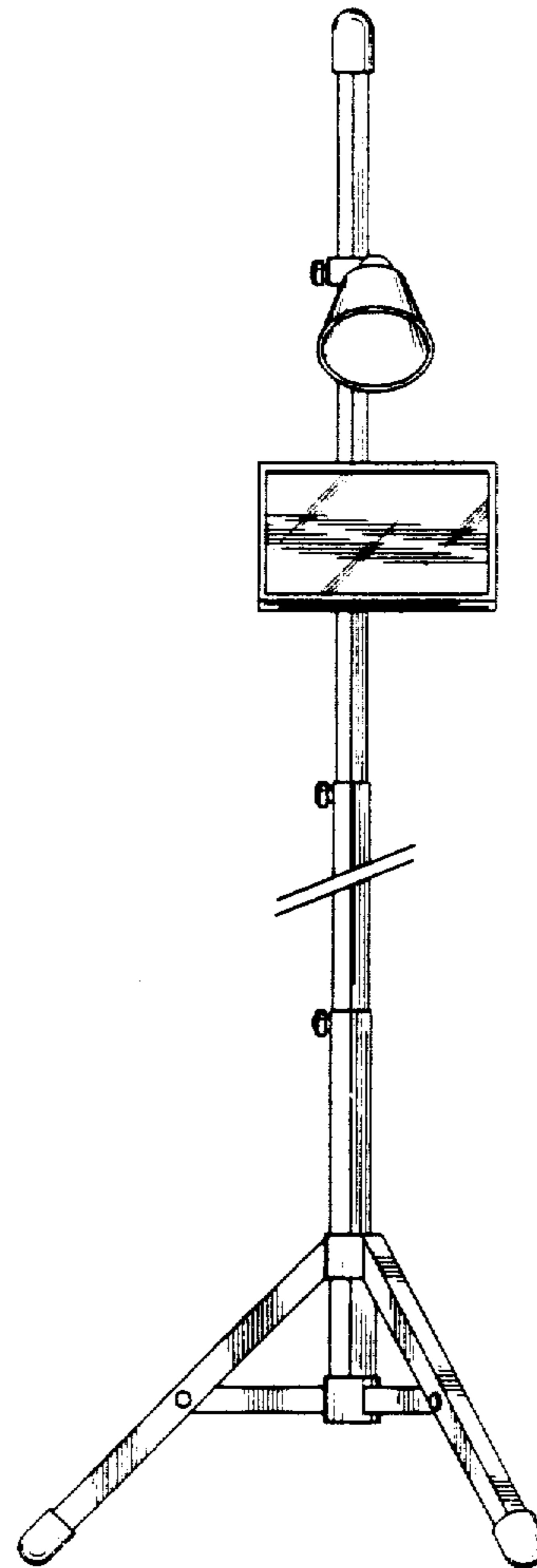
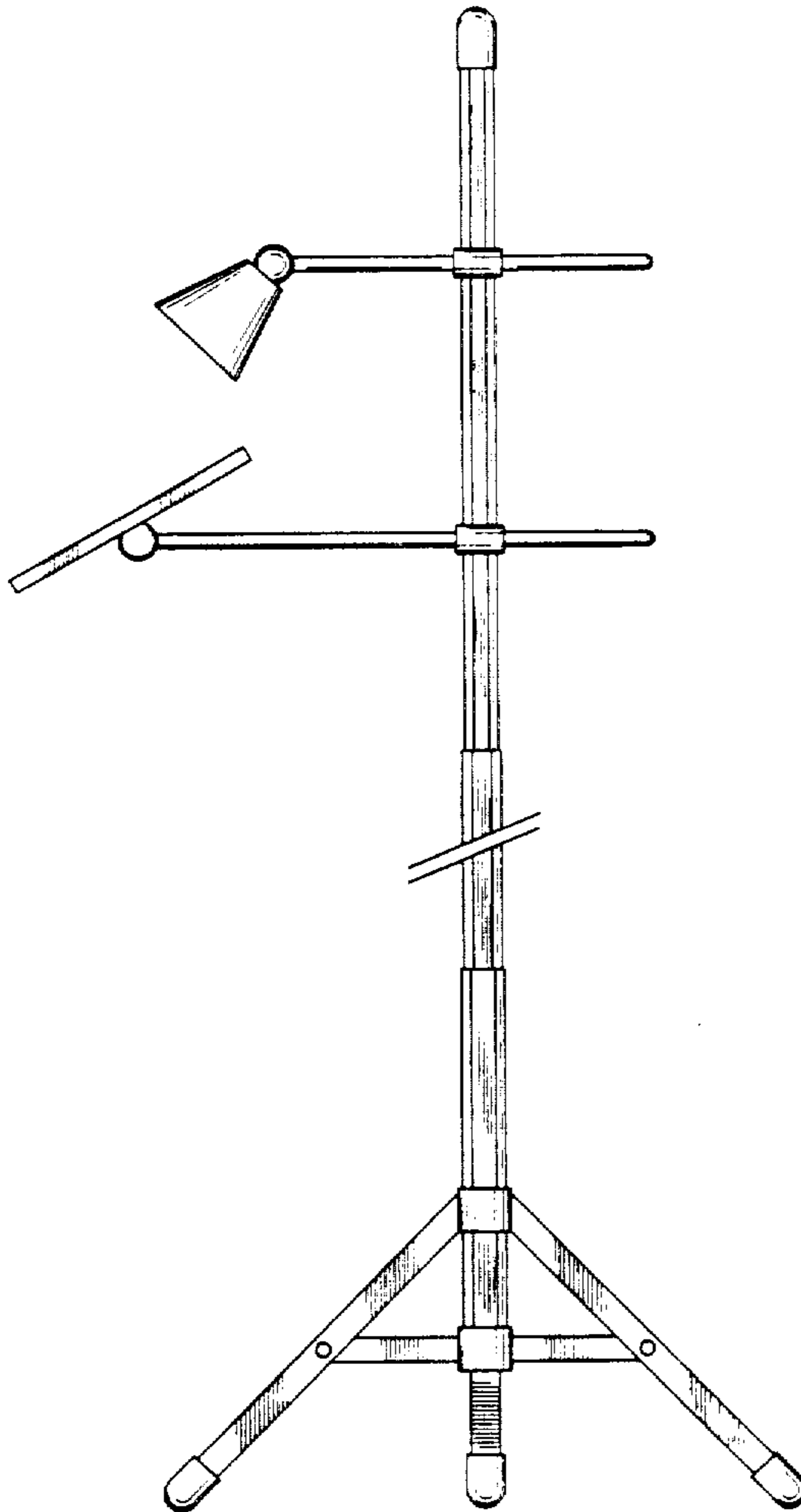


FIG. 1

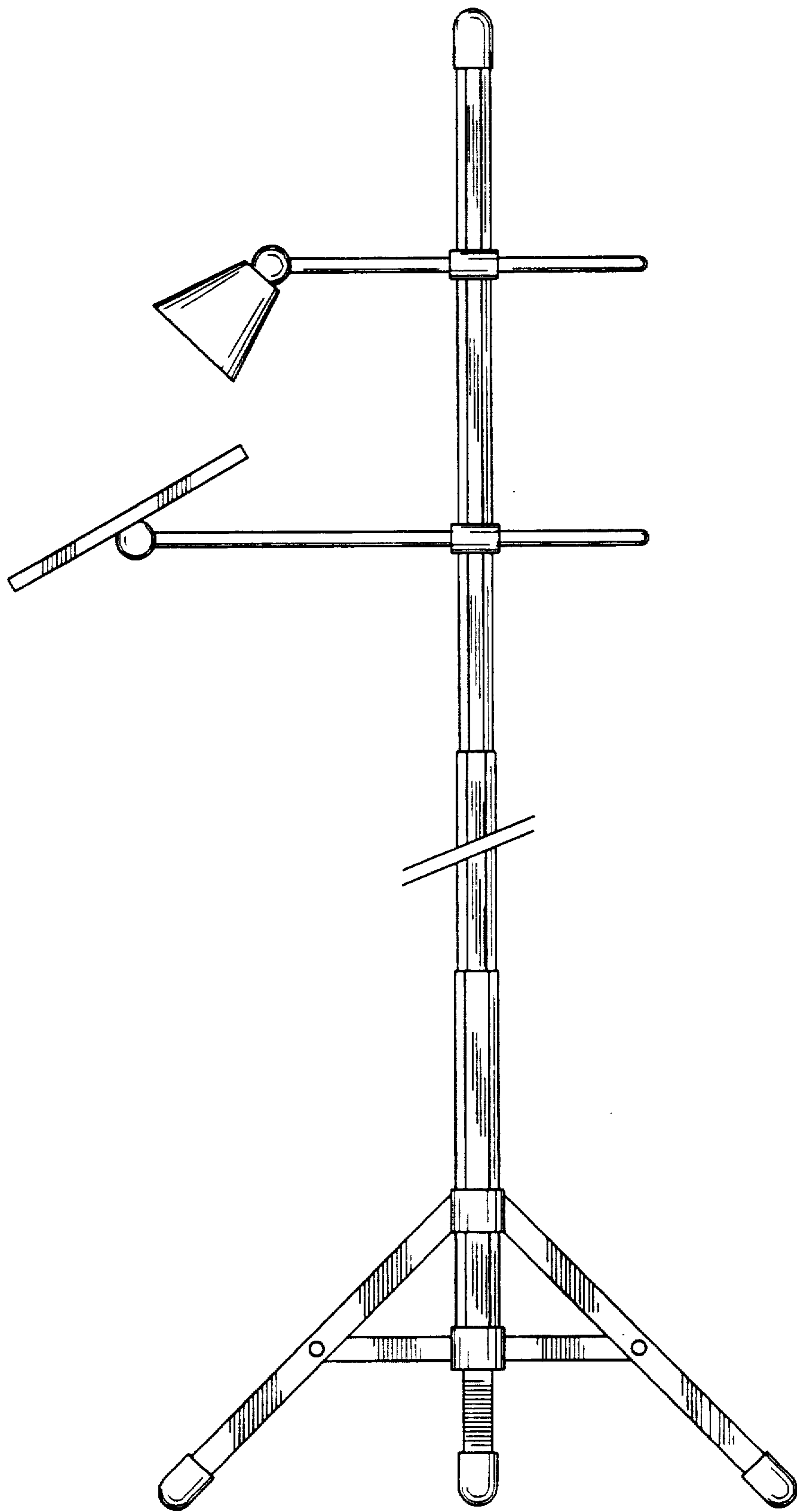


FIG. 2

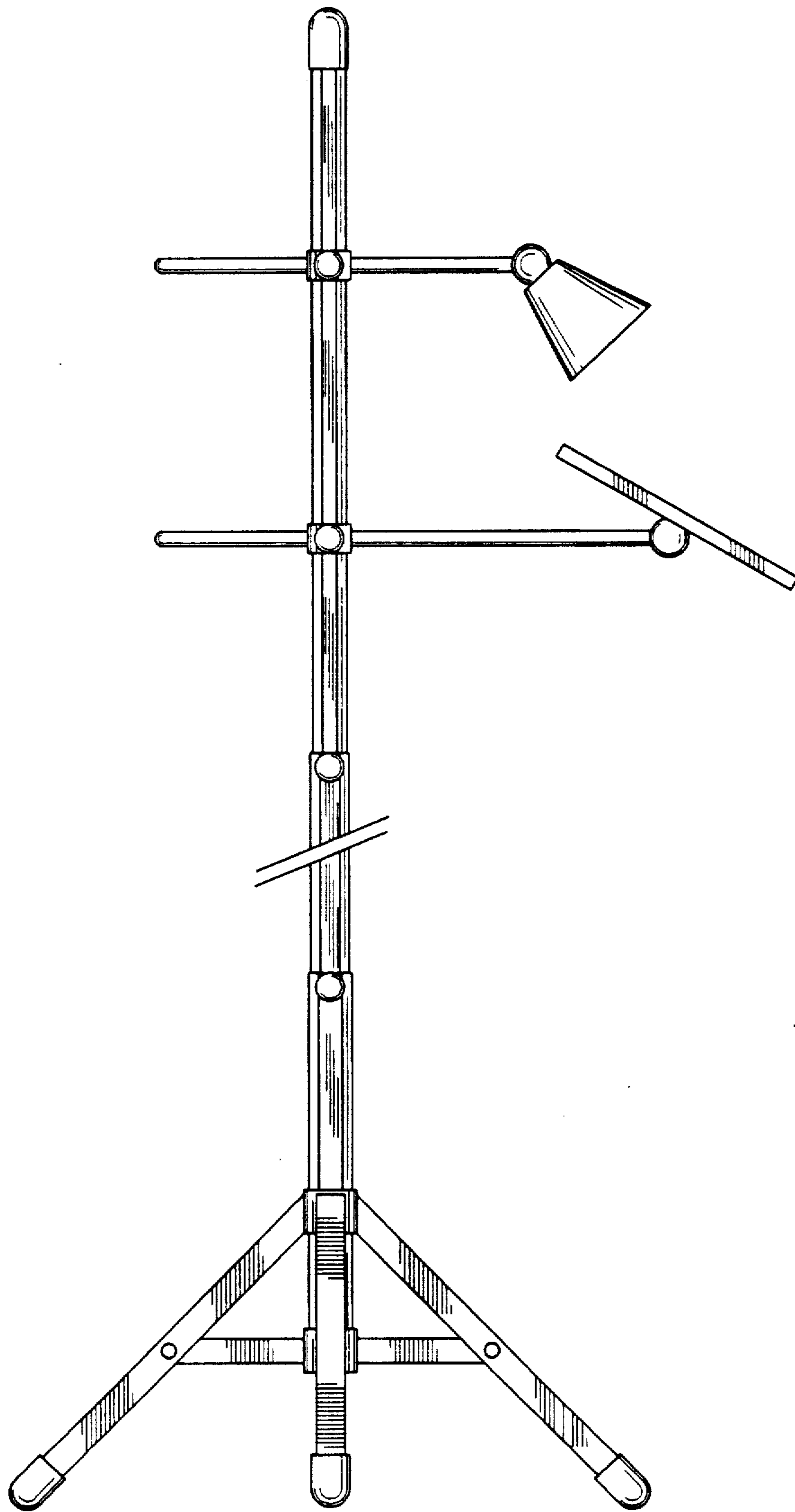


FIG. 3

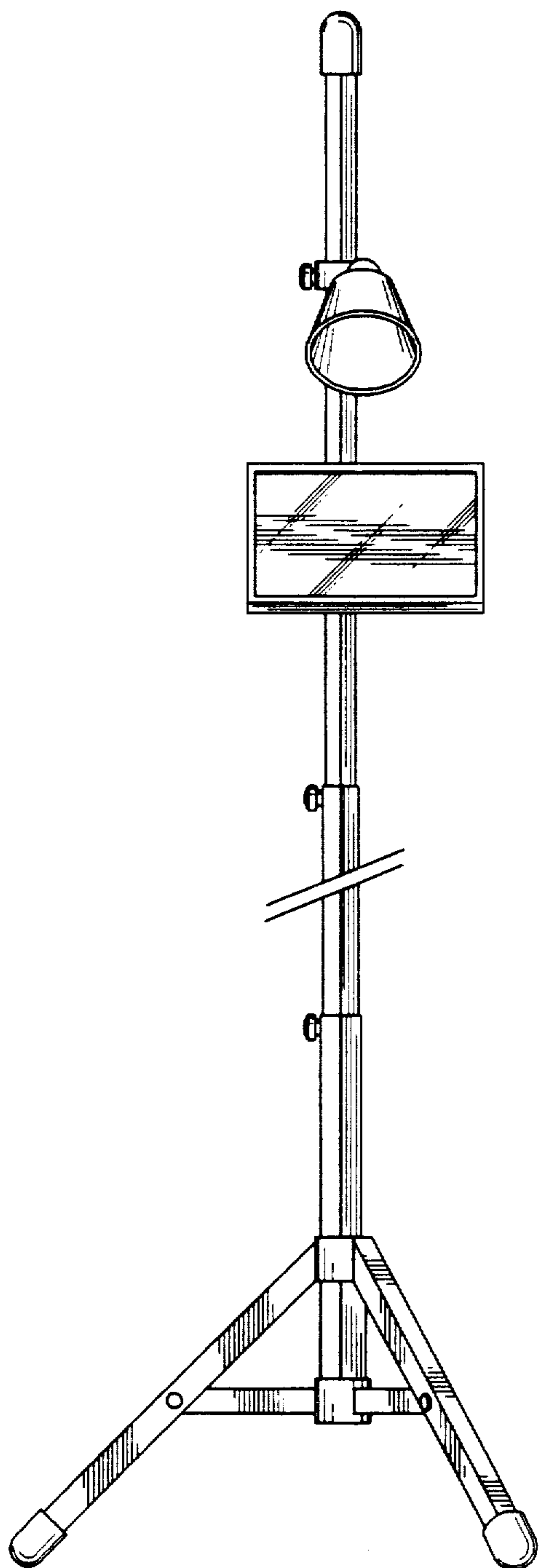


FIG. 4

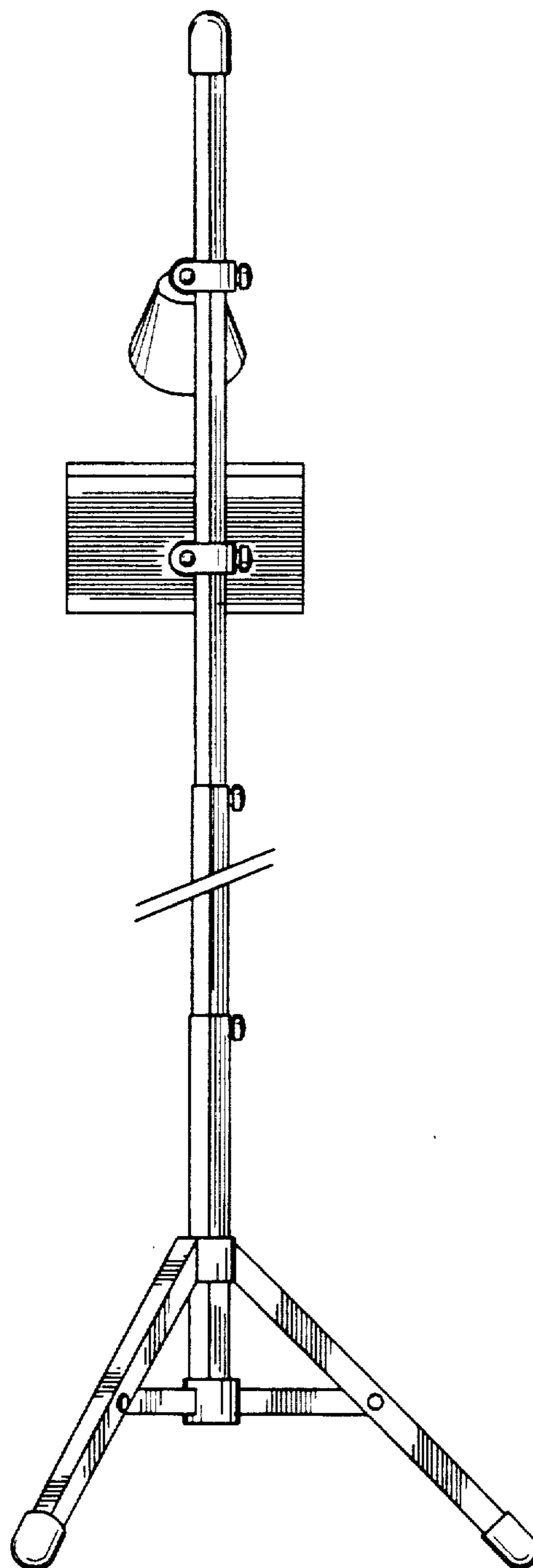


FIG. 5

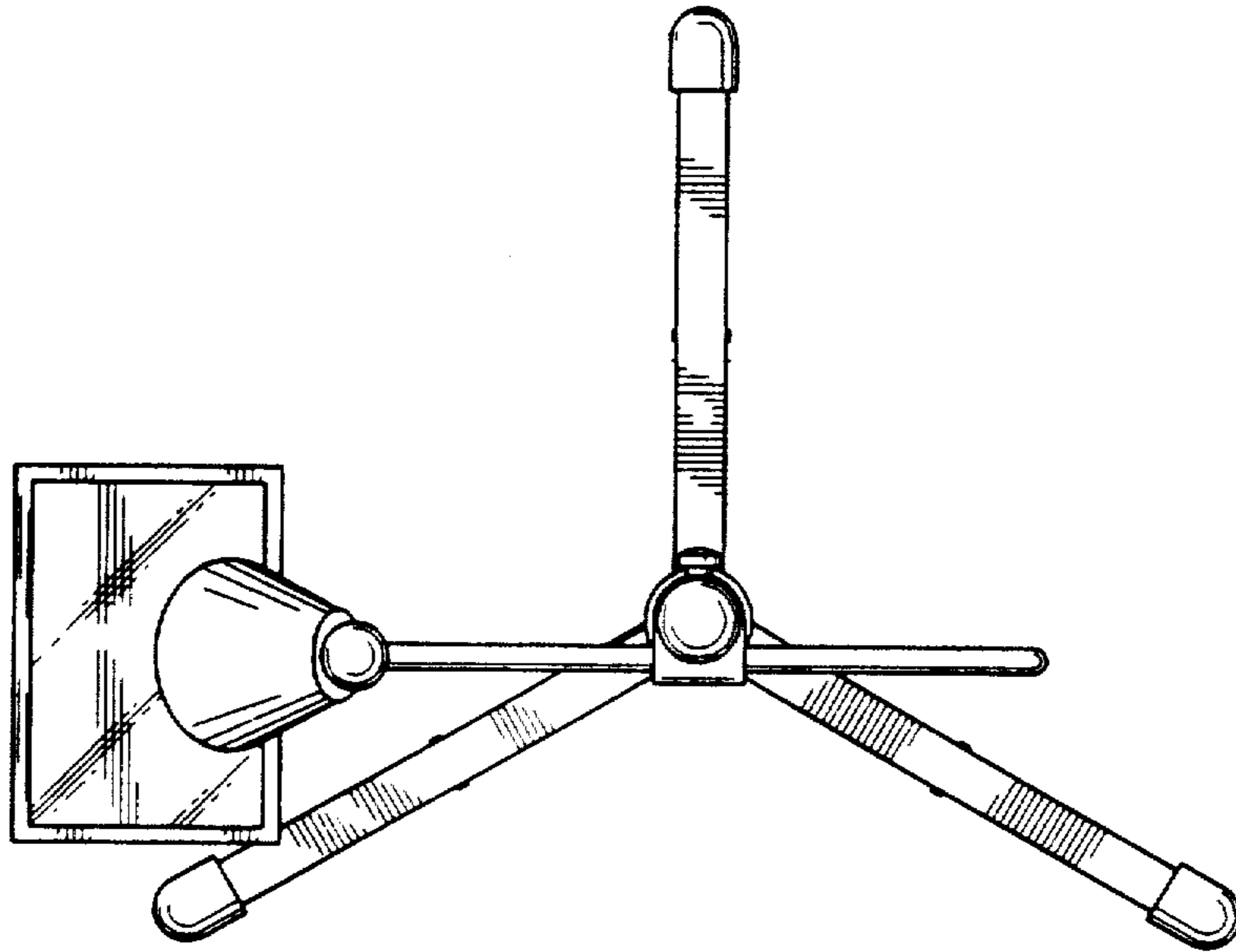


FIG. 6

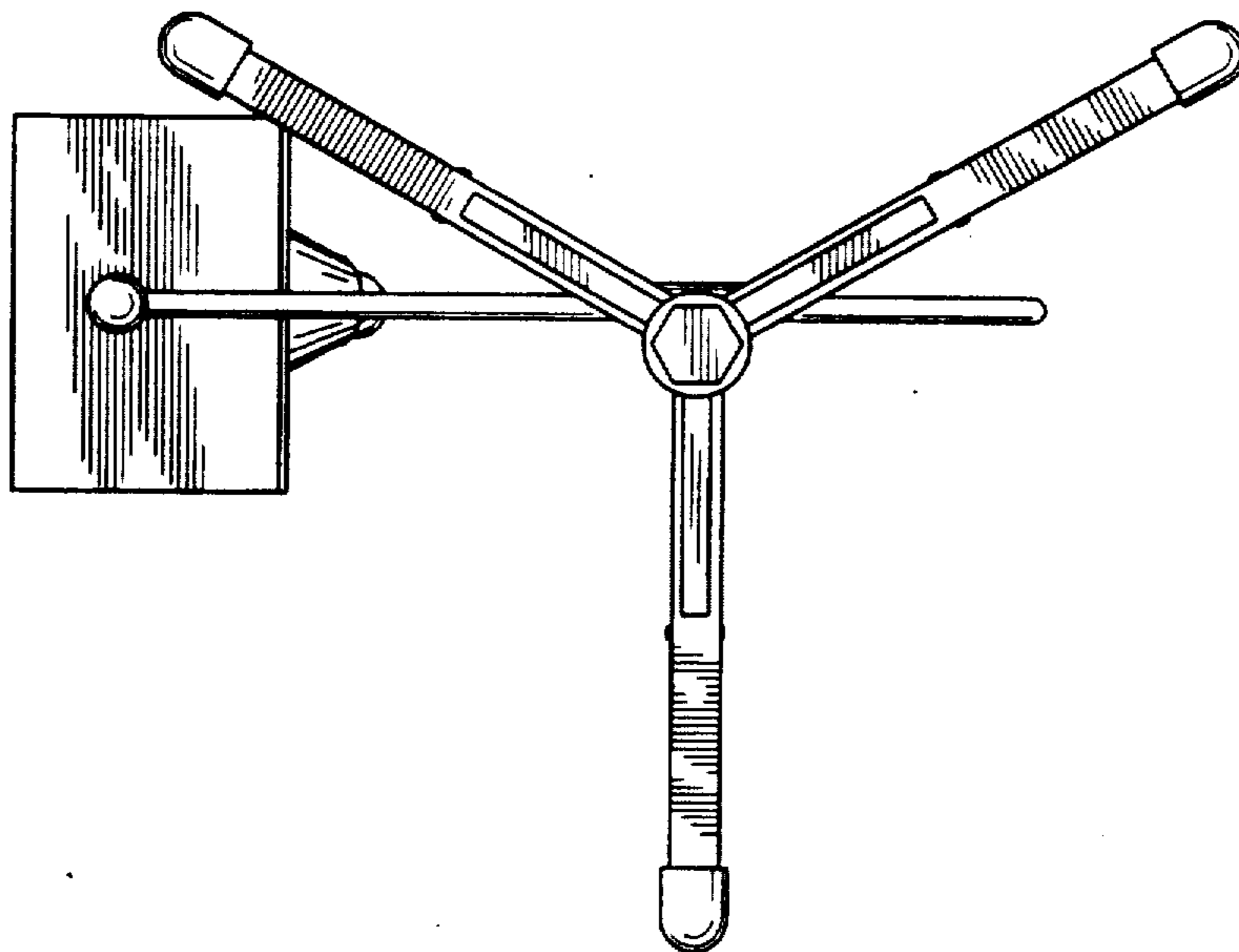


FIG. 7

