



US00D328148S

United States Patent [19]
Waldmann

[11] **Patent Number: Des. 328,148**
[45] **Date of Patent: ** Jul. 21, 1992**

[54] **ADJUSTABLE HALOGEN LAMP**

[75] **Inventor: Herbert Waldmann, Villingen, Fed. Rep. of Germany**

[73] **Assignee: Firma Waldmann GmbH & Co., Villingen-Schwenningen, Fed. Rep. of Germany**

[**] **Term: 14 Years**

[21] **Appl. No.: 523,917**

[22] **Filed: May 15, 1990**

[30] **Foreign Application Priority Data**

Nov. 17, 1989 [XH] Hague DM/015086
Jan. 24, 1990 [XH] Hague DM/015671
[52] **U.S. Cl. D26/63**
[58] **Field of Search D26/61, 63, 65; 362/147, 267, 275, 285, 418, 419, 427, 362, 373**

[56] **References Cited**

U.S. PATENT DOCUMENTS

D. 271.043 10/1983 Parker D26/63

D. 271,527 11/1983 Hershey D26/63
2,307,301 1/1943 Richardson D26/61 X
3,116,022 12/1963 Davis 362/275 X
4,780,799 10/1988 Groh 362/373 X

OTHER PUBLICATIONS

Light & Lighting, 2-1968, p. 58, Floodlight (B).

Primary Examiner—Susan J. Lucas
Attorney, Agent, or Firm—Eugene E. Renz, Jr.

[57] **CLAIM**

The ornamental design for an adjustable halogen lamp, as shown and described.

DESCRIPTION

FIG. 1 is a front, right side perspective view of an adjustable halogen lamp showing my new design; FIG. 2 is a top, rear, right side perspective view thereof with the lamp in an alternate position; FIG. 3 is a left side elevational view thereof; FIG. 4 is a front elevational view thereof; FIG. 5 is a rear elevational view thereof; FIG. 6 is a top plan view thereof; and, FIG. 7 is a bottom plan view thereof.

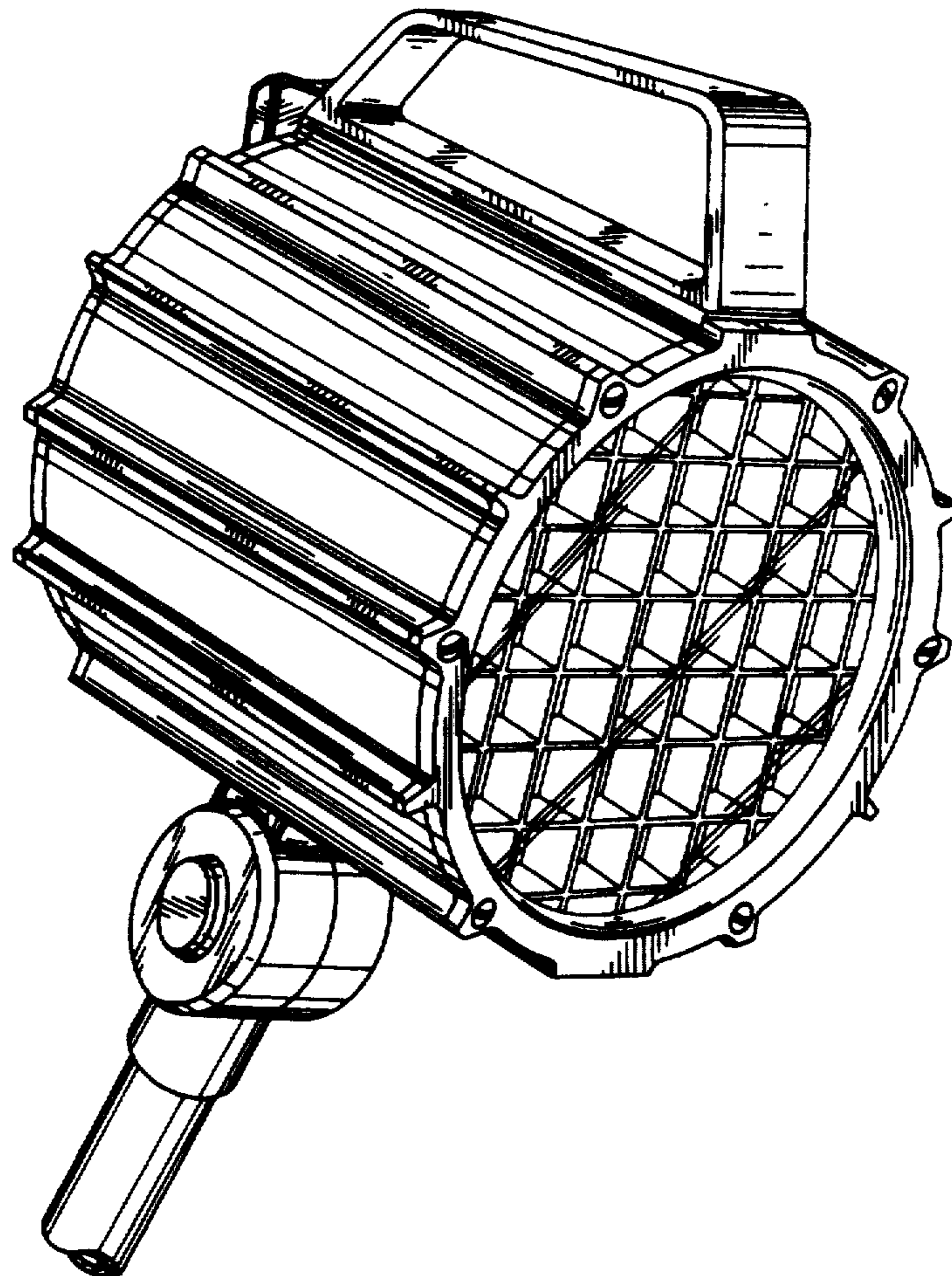


FIG. 2

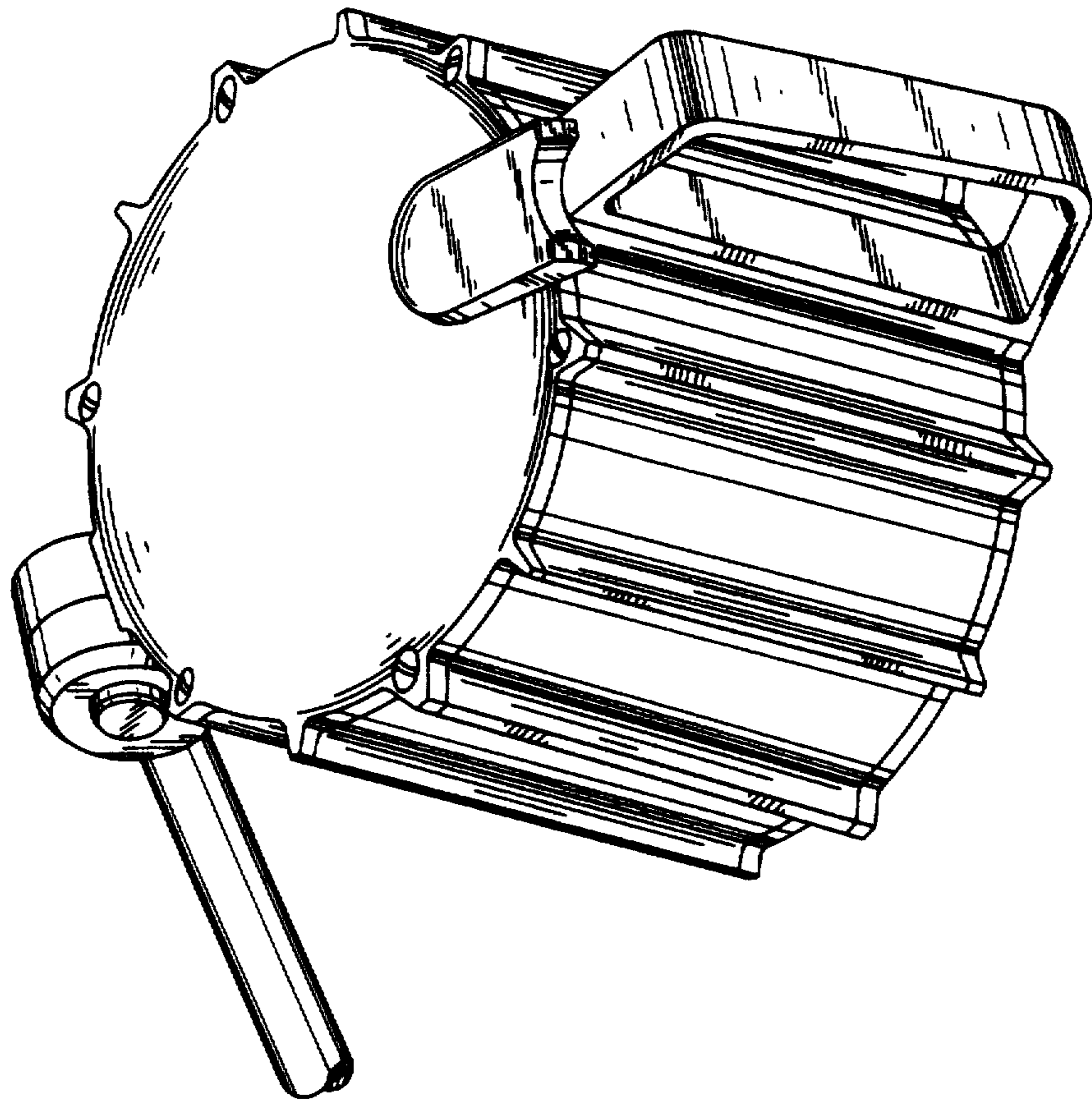


FIG. 1

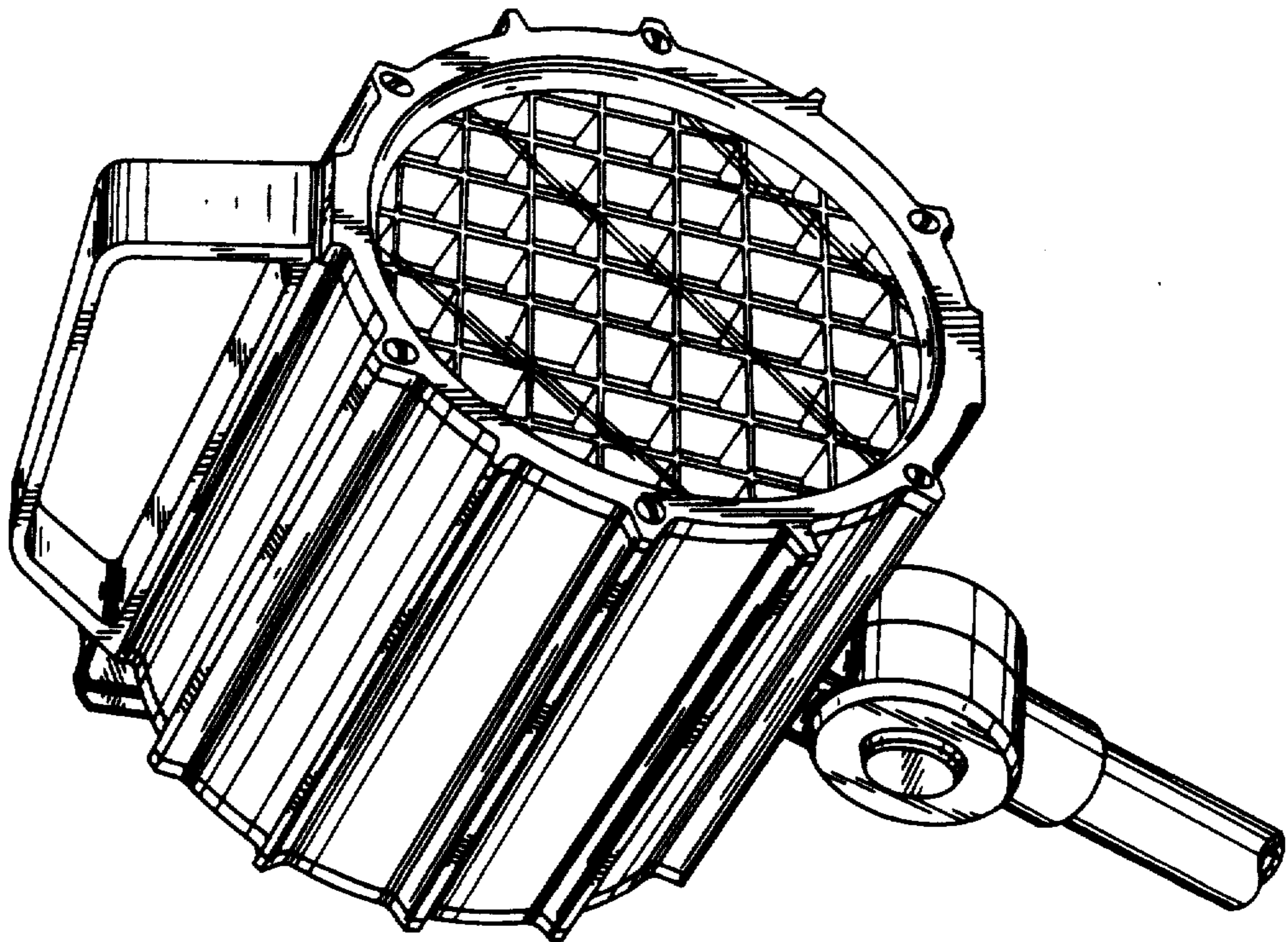


FIG. 3

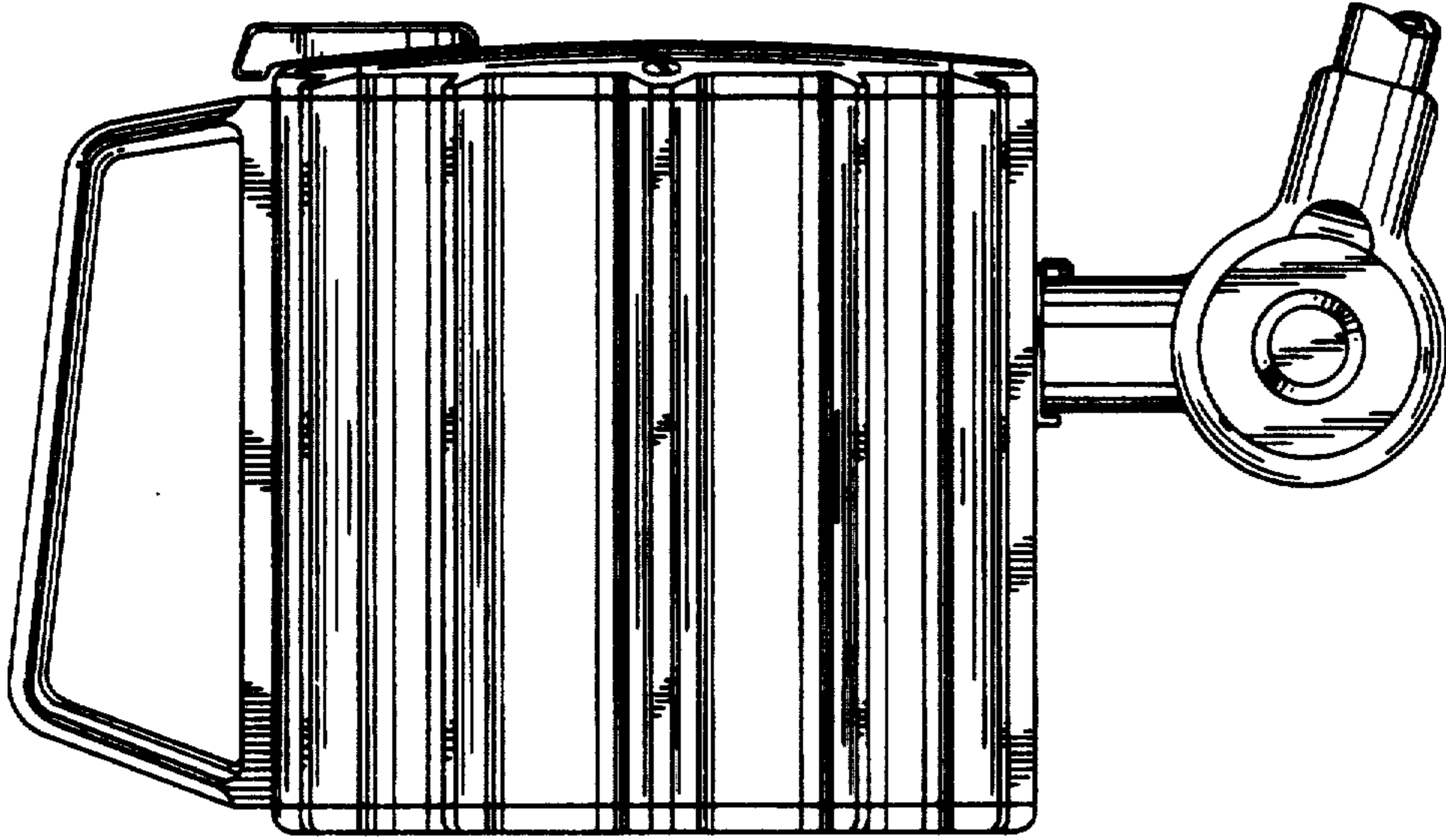


FIG. 4

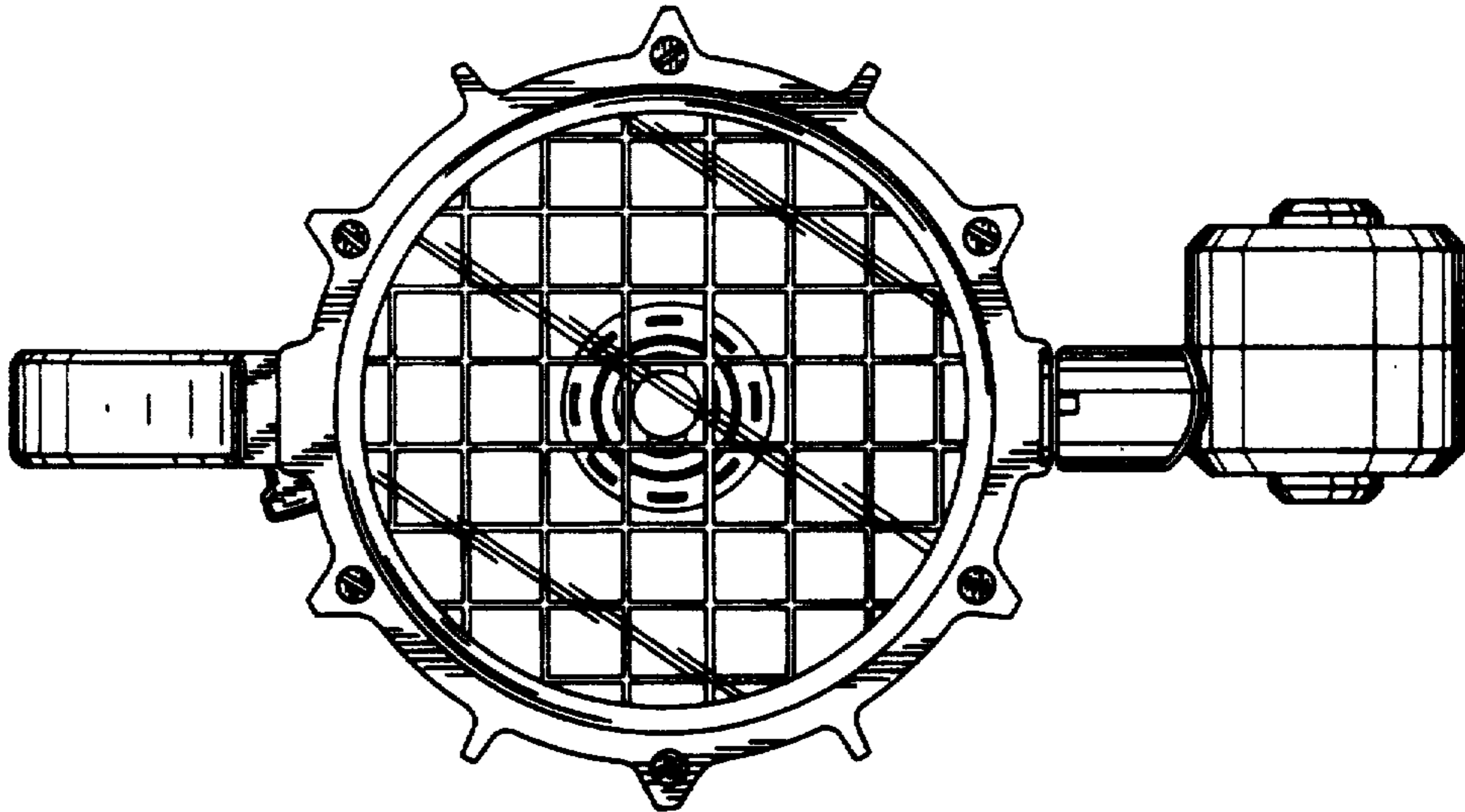


FIG. 6

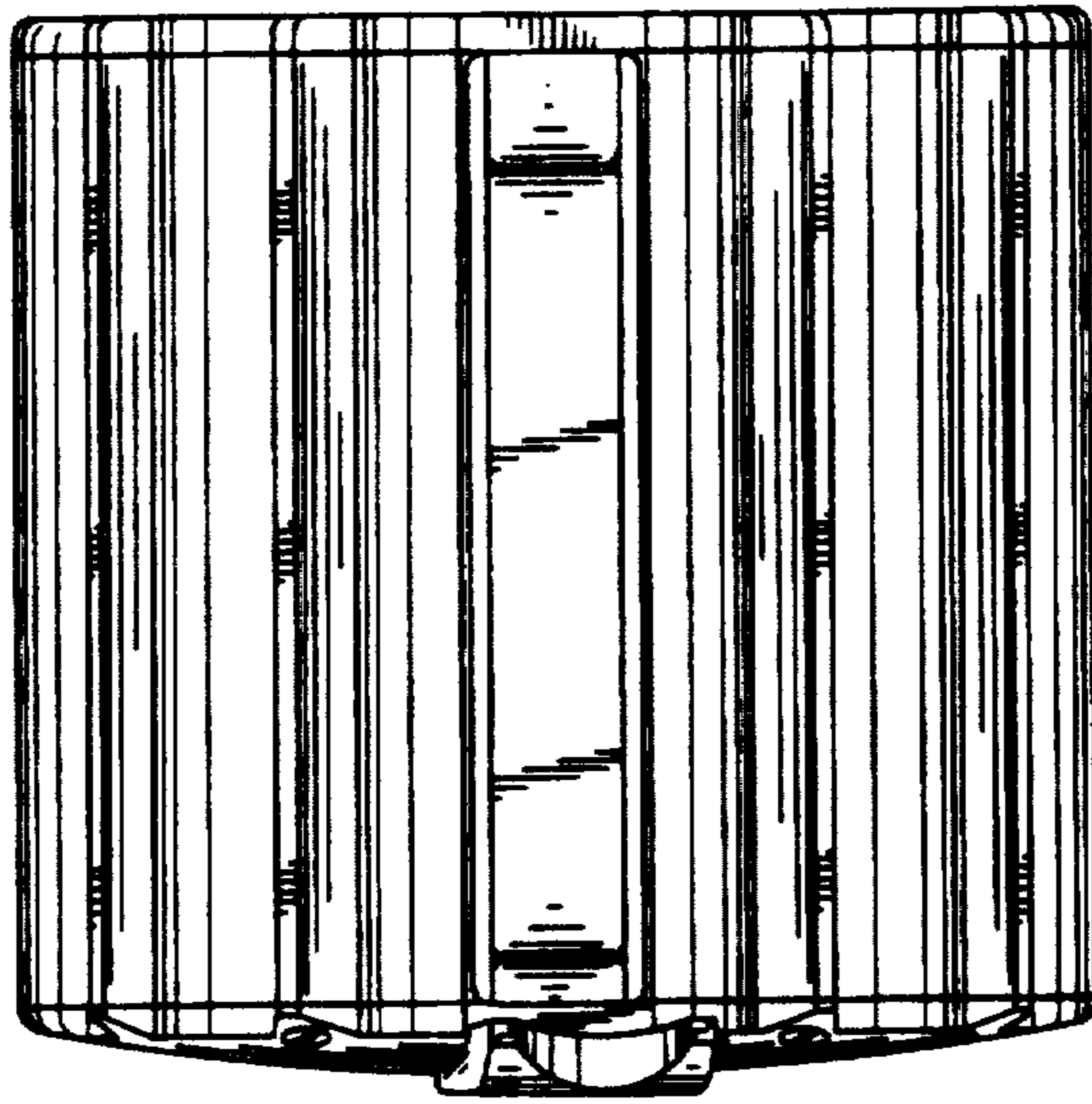


FIG. 5

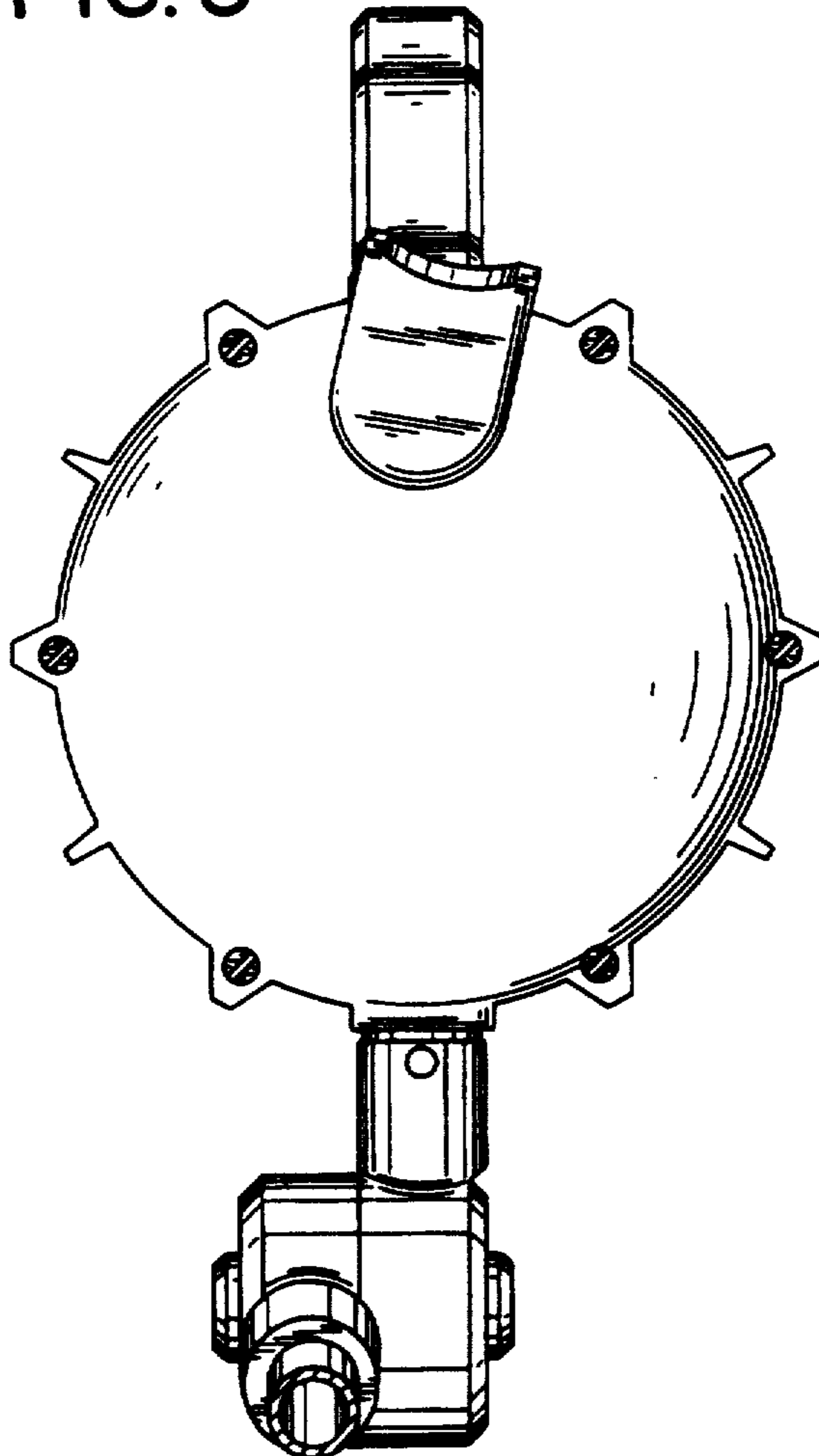


FIG. 7

