



US00D328147S

# United States Patent [19] . Gecchelin

[11] Patent Number: **Des. 328,147**

[45] Date of Patent: **\*\* Jul. 21, 1992**

[54] **SPOTLIGHT**

[75] Inventor: **Bruno Gecchelin, Milan, Italy**

[73] Assignee: **iGuzzini Illuminazione S.p.A., Recanati, Italy**

[\*\*] Term: **14 Years**

[21] Appl. No.: **493,381**

[22] Filed: **Mar. 14, 1990**

[30] **Foreign Application Priority Data**

Sep. 18, 1989 [IT] Italy ..... 21 748 B/89

[52] U.S. Cl. .... **D26/63**

[58] Field of Search ..... D26/61, 63, 65; 362/267, 275, 285, 418, 419, 427, 362, 147, 404

[56] **References Cited**

**U.S. PATENT DOCUMENTS**

D. 234,712 4/1975 Kennedy et al. .... D26/63

D. 318,339 7/1991 Gecchelin ..... D26/63

**FOREIGN PATENT DOCUMENTS**

266167 9/1963 Australia ..... 362/418

**OTHER PUBLICATIONS**

Domus, Oct. 1988, Adverts-p. 86, Spotlight.

Form, Jan. 1979, p. 55, Spotlight.

Progressive Architecture, Mar. 1985, p. 5LW-Spotlight.

*Primary Examiner*—Susan J. Lucas

*Attorney, Agent, or Firm*—Hedman, Gibson & Costigan

[57] **CLAIM**

The ornamental design for a spotlight, as shown and described.

**DESCRIPTION**

FIG. 1 is a perspective view of a spotlight showing my new design;

FIG. 2 is a front elevational view thereof;

FIG. 3 is a rear elevational view thereof;

FIG. 4 is a right side elevational view thereof;

FIG. 5 is a left side elevational view thereof;

FIG. 6 is a top plan view thereof; and,

FIG. 7 is a bottom plan view thereof.

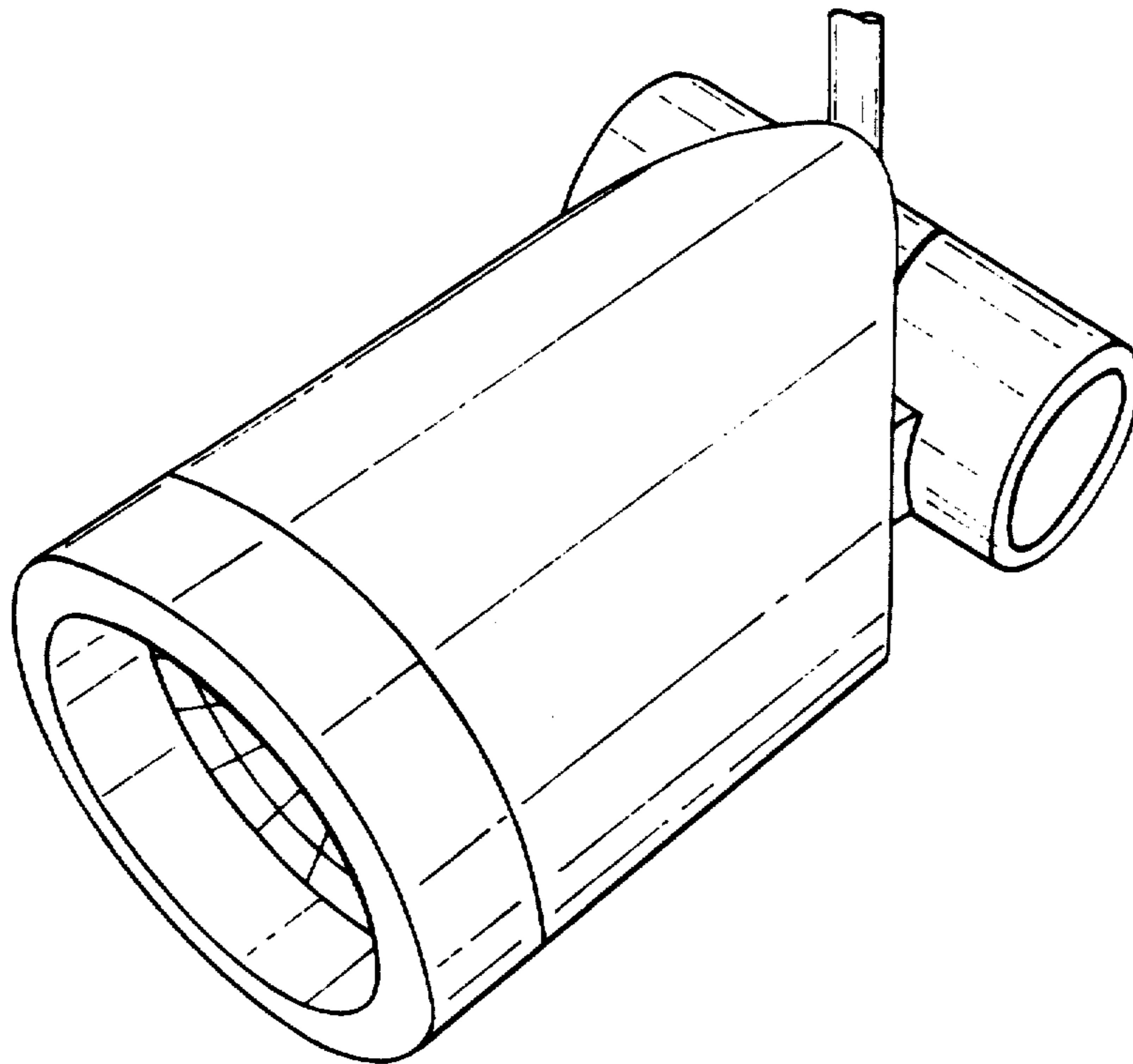


Fig.1

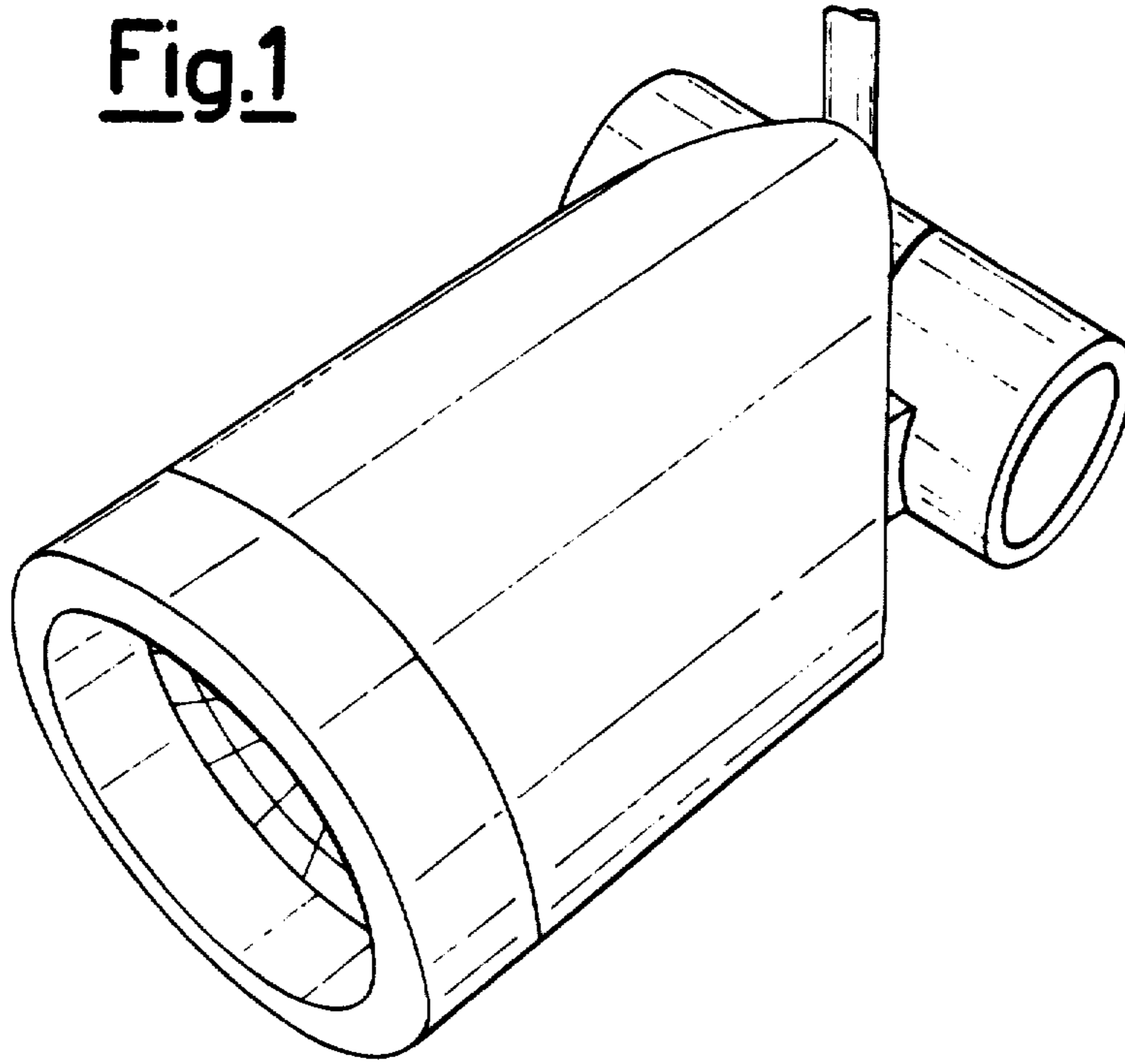


Fig.2

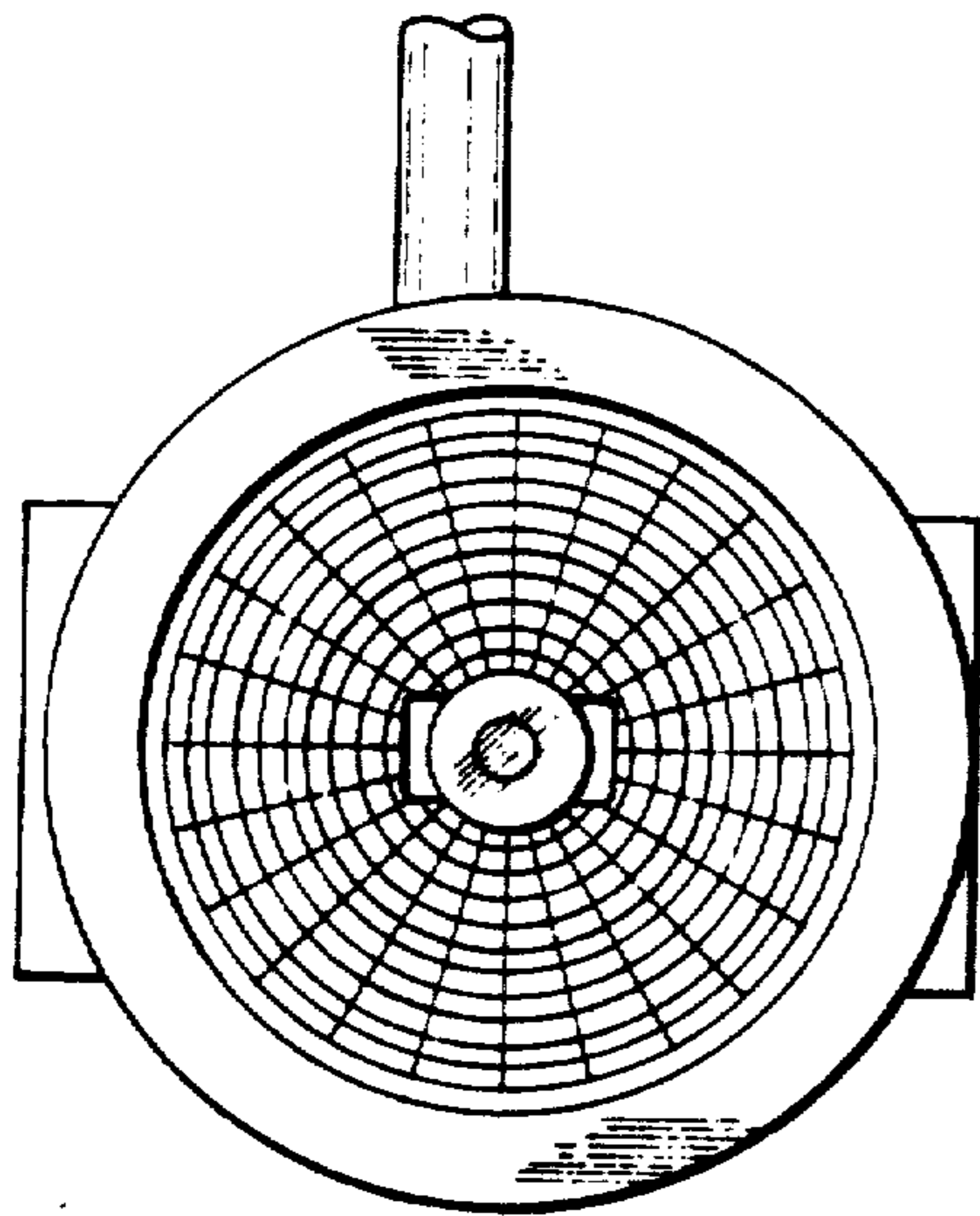


Fig.3

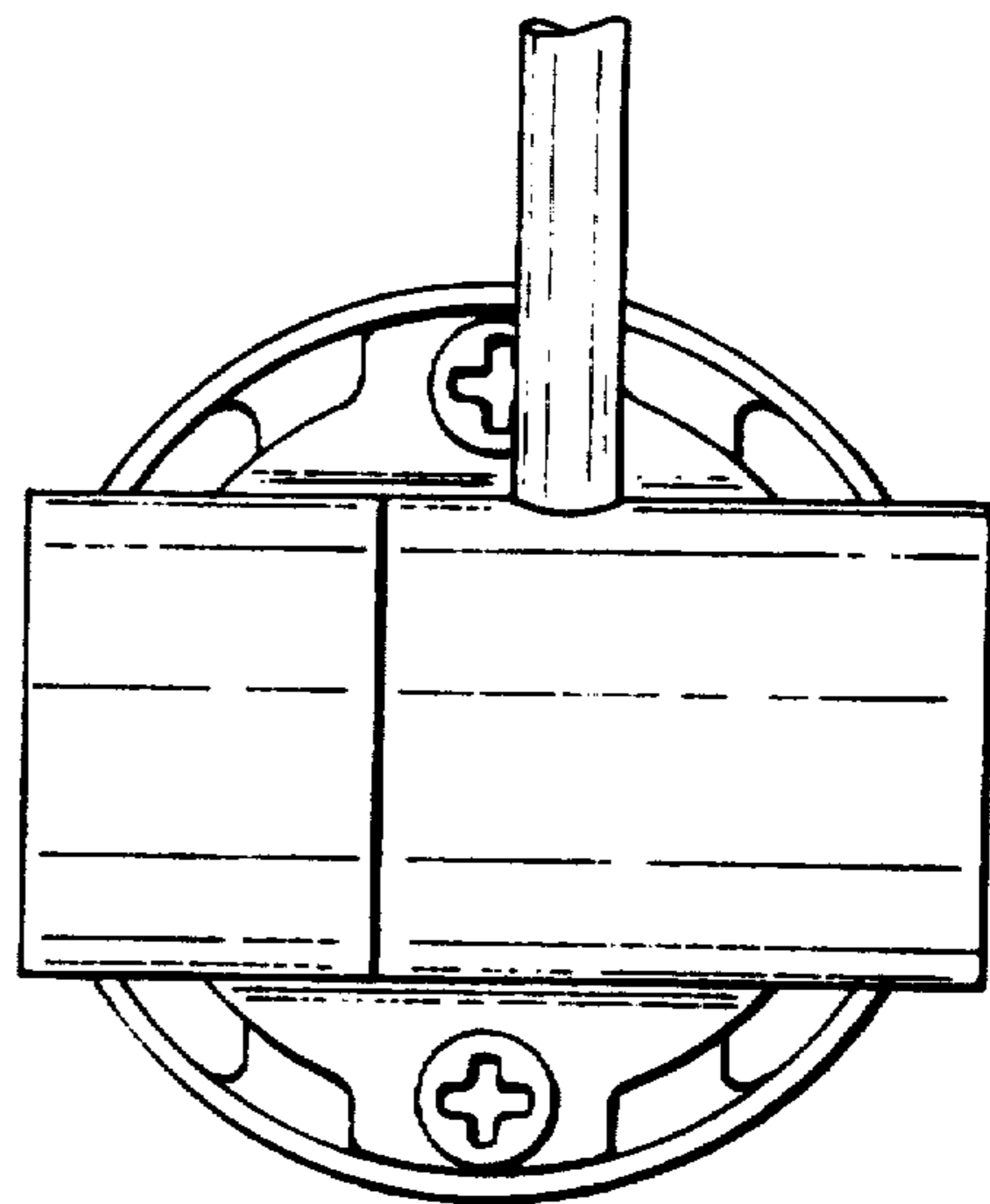


Fig.4

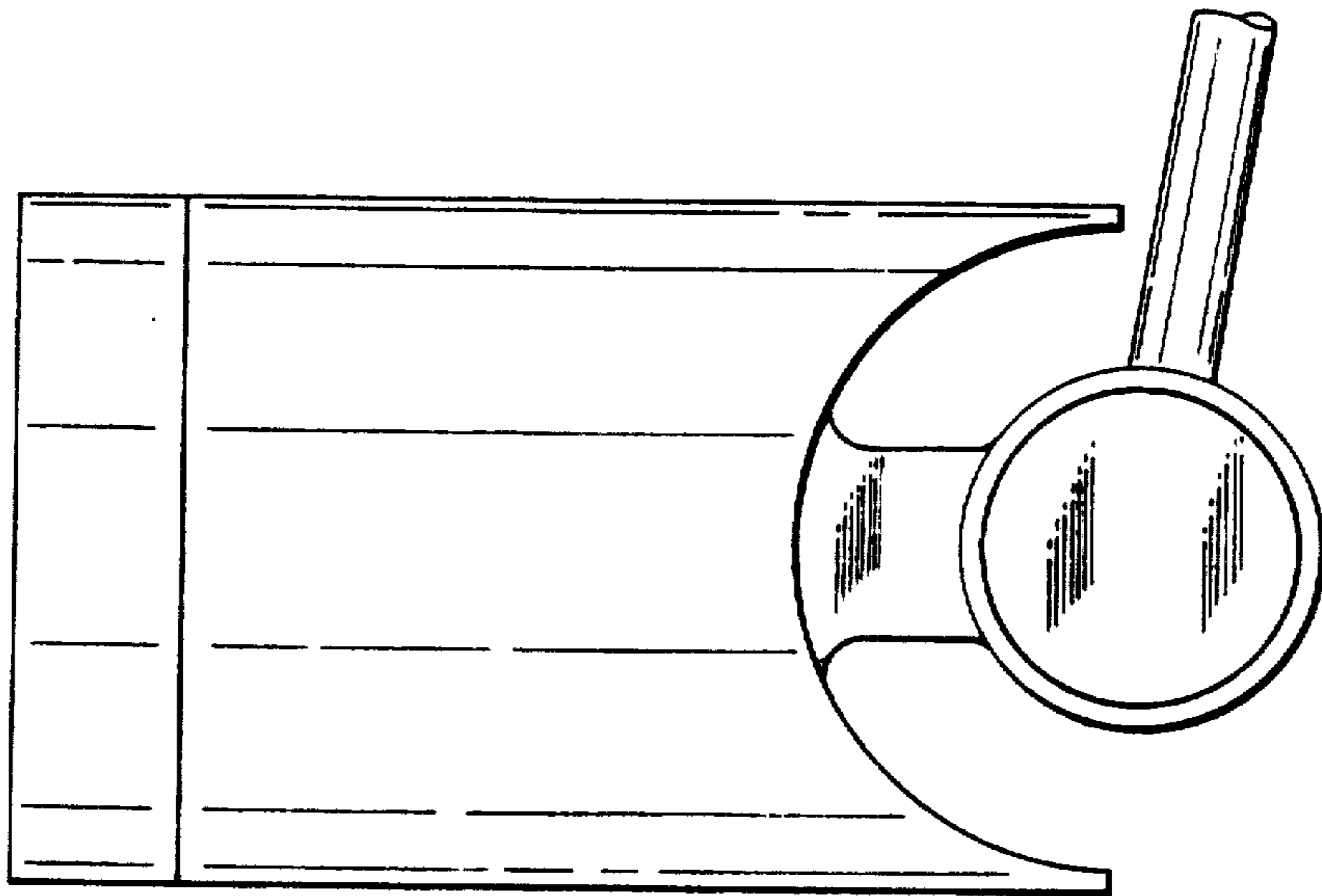


Fig.5

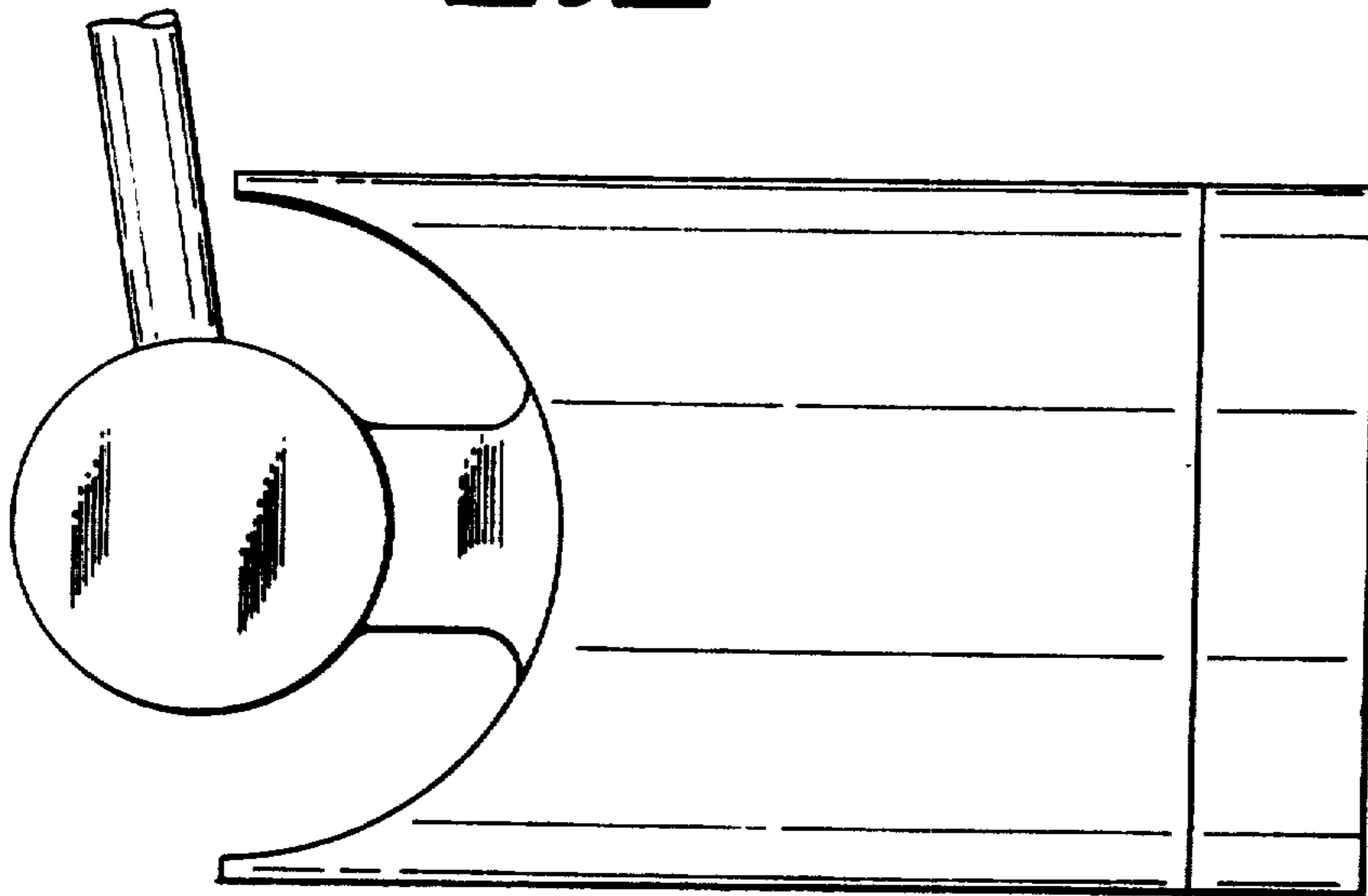


Fig.6

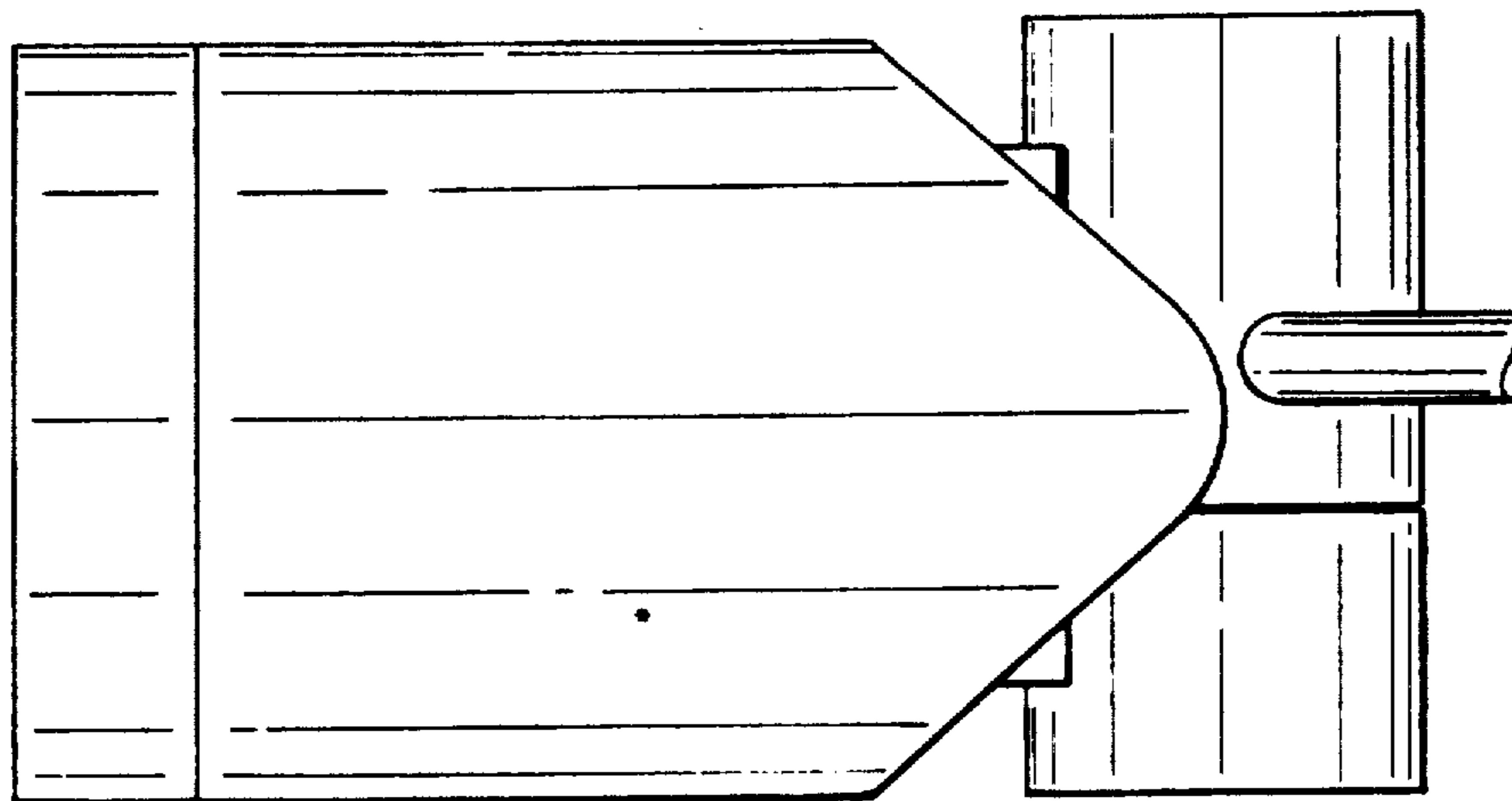


Fig.7

