



US00D328146S

United States Patent [19]

[11] Patent Number: **Des. 328,146**

Sinsteden

[45] Date of Patent: **** Jul. 21, 1992**

[54] **FLASHLIGHT**

[76] Inventor: **Michael Sinsteden**, Bennettsbridge,
County Kilkenny, Ireland

[**] Term: **14 Years**

[21] Appl. No.: **652,594**

[22] Filed: **Feb. 1, 1991**

[30] **Foreign Application Priority Data**

Aug. 3, 1990 [IE] Ireland 357/90

[52] U.S. Cl. **D26/49**

[58] Field of Search **D26/37-50;**
362/157, 158, 183-191, 194-205

[56] **References Cited**

U.S. PATENT DOCUMENTS

1,595,023 8/1926 Probe 362/184 X
2,228,009 1/1941 Harford 362/187 X

OTHER PUBLICATIONS

Hong Kong Enterprise, Jul. 1987, p. 165, KE-218
"Magic Light" Flashlight.

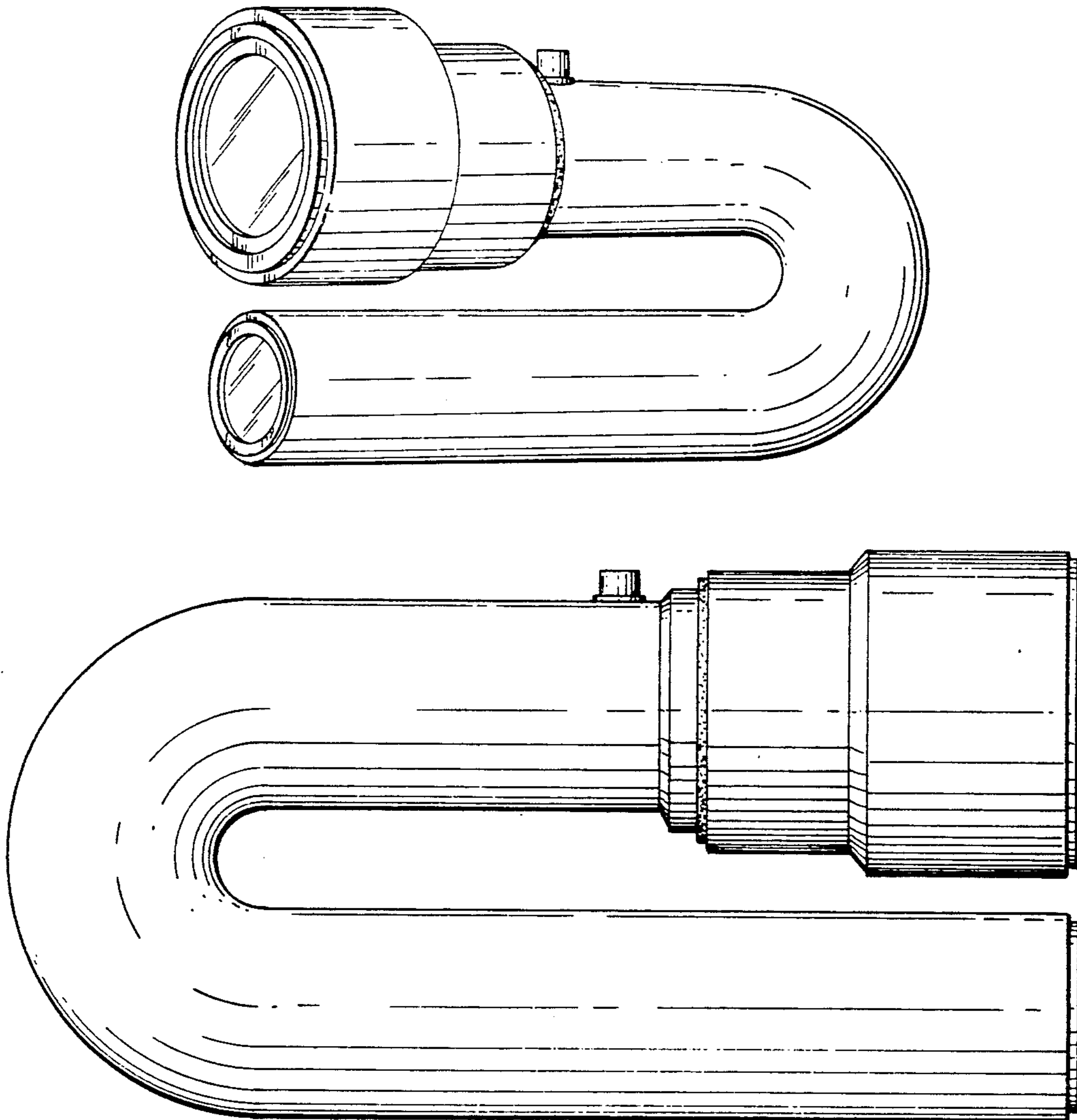
Primary Examiner—Susan J. Lucas
Attorney, Agent, or Firm—Young & Thompson

[57] **CLAIM**

The ornamental design for a flashlight, as shown.

DESCRIPTION

FIG. 1 is a perspective view of a flashlight showing my new design;
FIG. 2 is an enlarged side elevational view showing the side opposite that shown in FIG. 1;
FIG. 3 is a top plan view thereof;
FIG. 4 is a bottom plan view thereof;
FIG. 5 is a right end elevational view thereof; and,
FIG. 6 is a left end elevational view thereof.



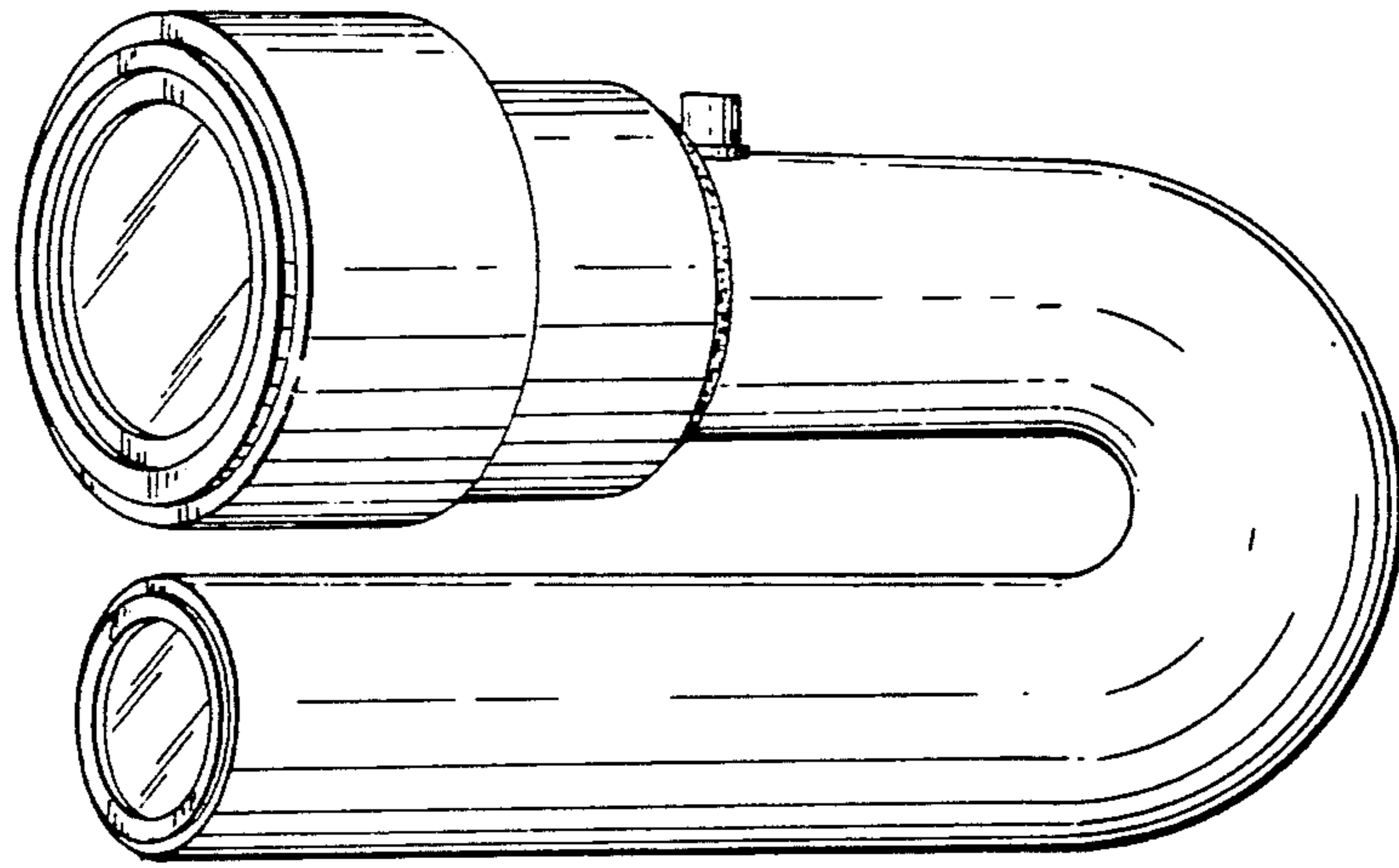
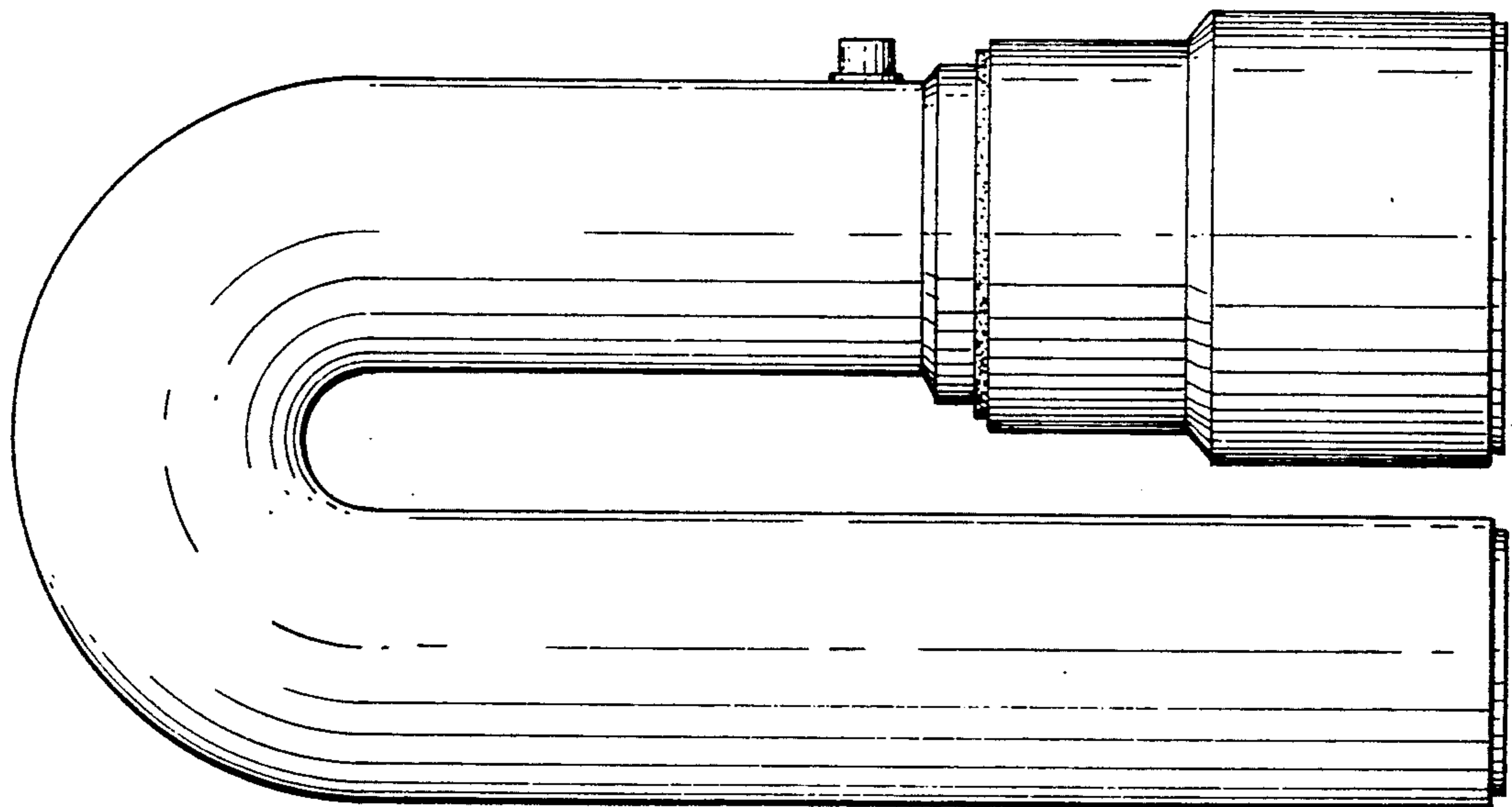


FIG. 2



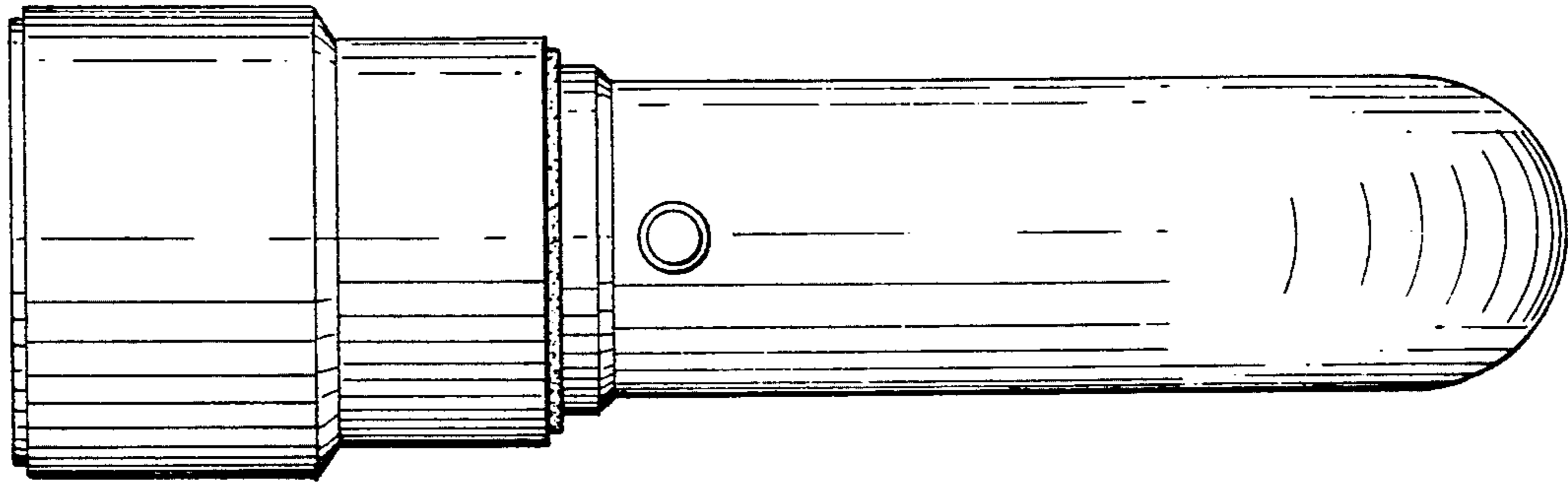


FIG. 4

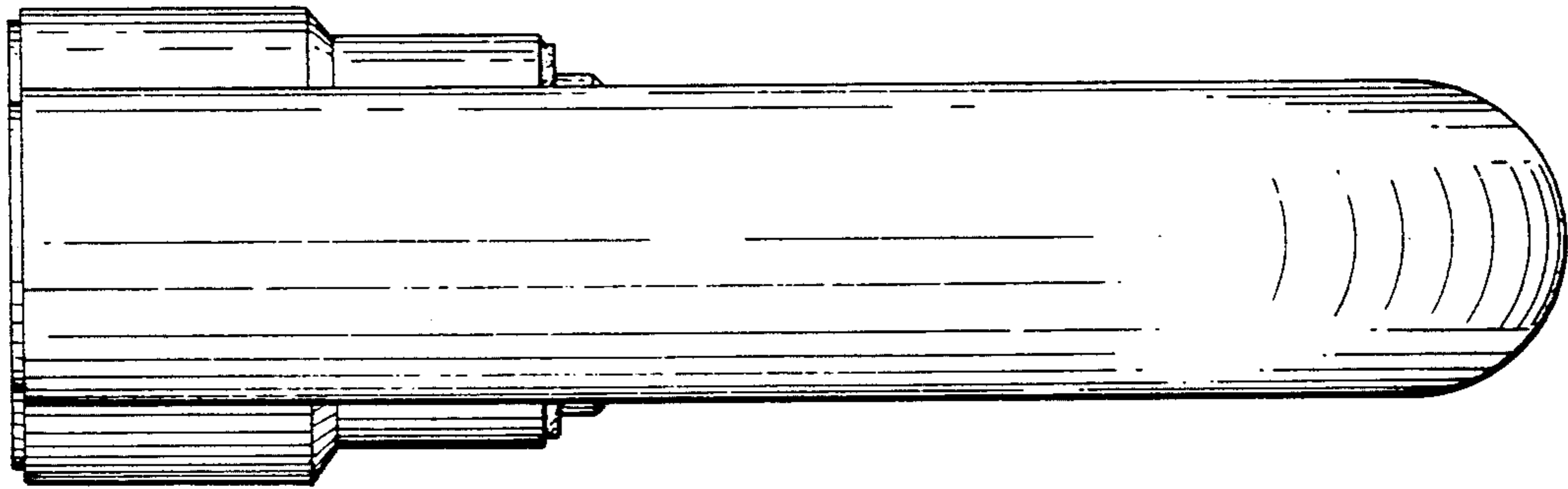


FIG. 5

FIG. 6

