



US00D328142S

United States Patent [19]

[11] Patent Number: Des. 328,142

Bell et al.

[45] Date of Patent: ** Jul. 21, 1992

[54] **DISPLAY SIGN FOR AUTOMOBILES OR THE LIKE**

[76] Inventors: **Joe Bell; Roberta Morse**, both of P.O. Box 847, Sun Valley, Calif. 91353

[**] Term: **14 Years**

[21] Appl. No.: **553,695**

[22] Filed: **Jul. 18, 1990**

[52] U.S. Cl. **D26/31; D20/10**

[58] Field of Search **D26/30, 31; D20/10, D20/15, 35, 39, 40; D12/193; 40/591, 592, 593, 584, 606, 624; 262/811, 812**

[56] **References Cited**

U.S. PATENT DOCUMENTS

D. 60,227	1/1922	Finis	D26/31
D. 68,581	10/1925	Zonet	D26/31
D. 199,803	12/1964	Heim	D26/31
2,807,899	10/1957	Adams	D12/193
2,836,913	6/1958	Thomson et al.	40/591

FOREIGN PATENT DOCUMENTS

698669	10/1940	Fed. Rep. of Germany	40/592
1039945	10/1953	France	40/592

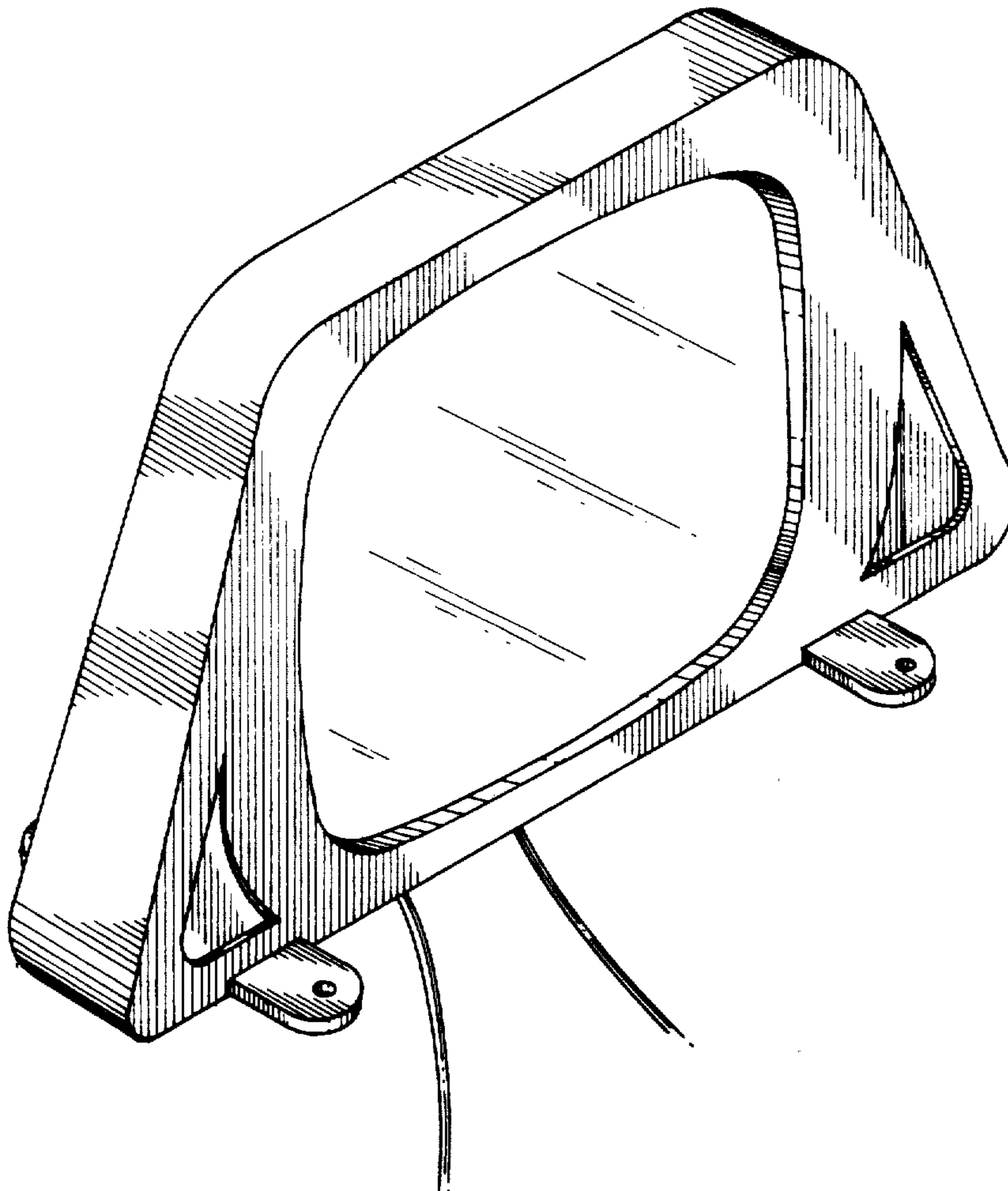
Primary Examiner—Wallace R. Burke
Assistant Examiner—Marcus Jackson
Attorney, Agent, or Firm—Terry M. Gernstein

[57] **CLAIM**

The ornamental design for an display sign for automobiles or the like, as shown and described.

DESCRIPTION

FIG. 1 is a perspective view of a display sign for automobiles or the like showing my new design, with the cords broken away to indicate indeterminate length; FIG. 2 is a front elevational view thereof; FIG. 3 is a rear elevational view thereof; FIG. 4 is a side elevational view thereof, with the opposite side being a mirror image; FIG. 5 is a top plan view thereof; and, FIG. 6 is a bottom plan view thereof.



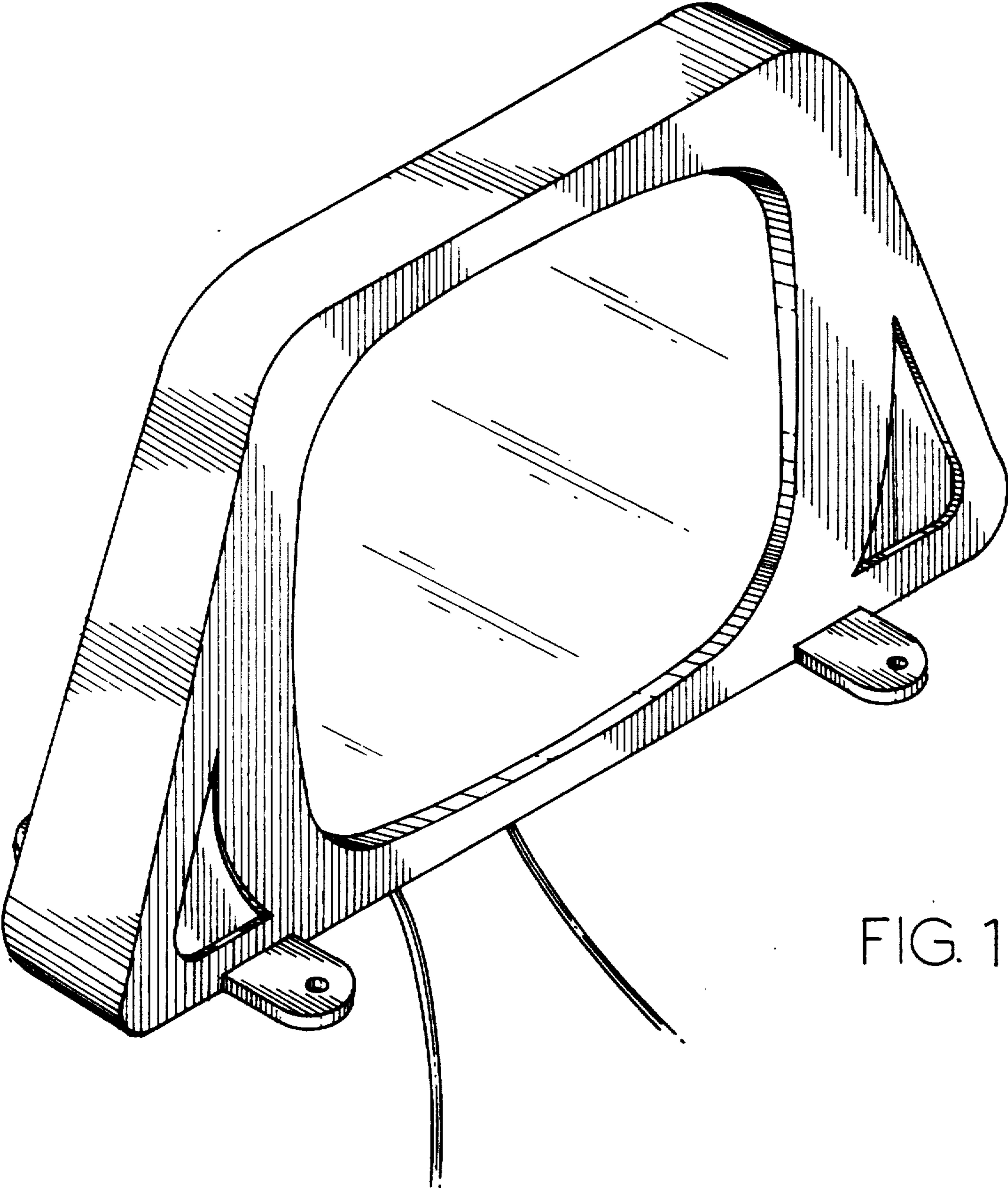


FIG. 1.

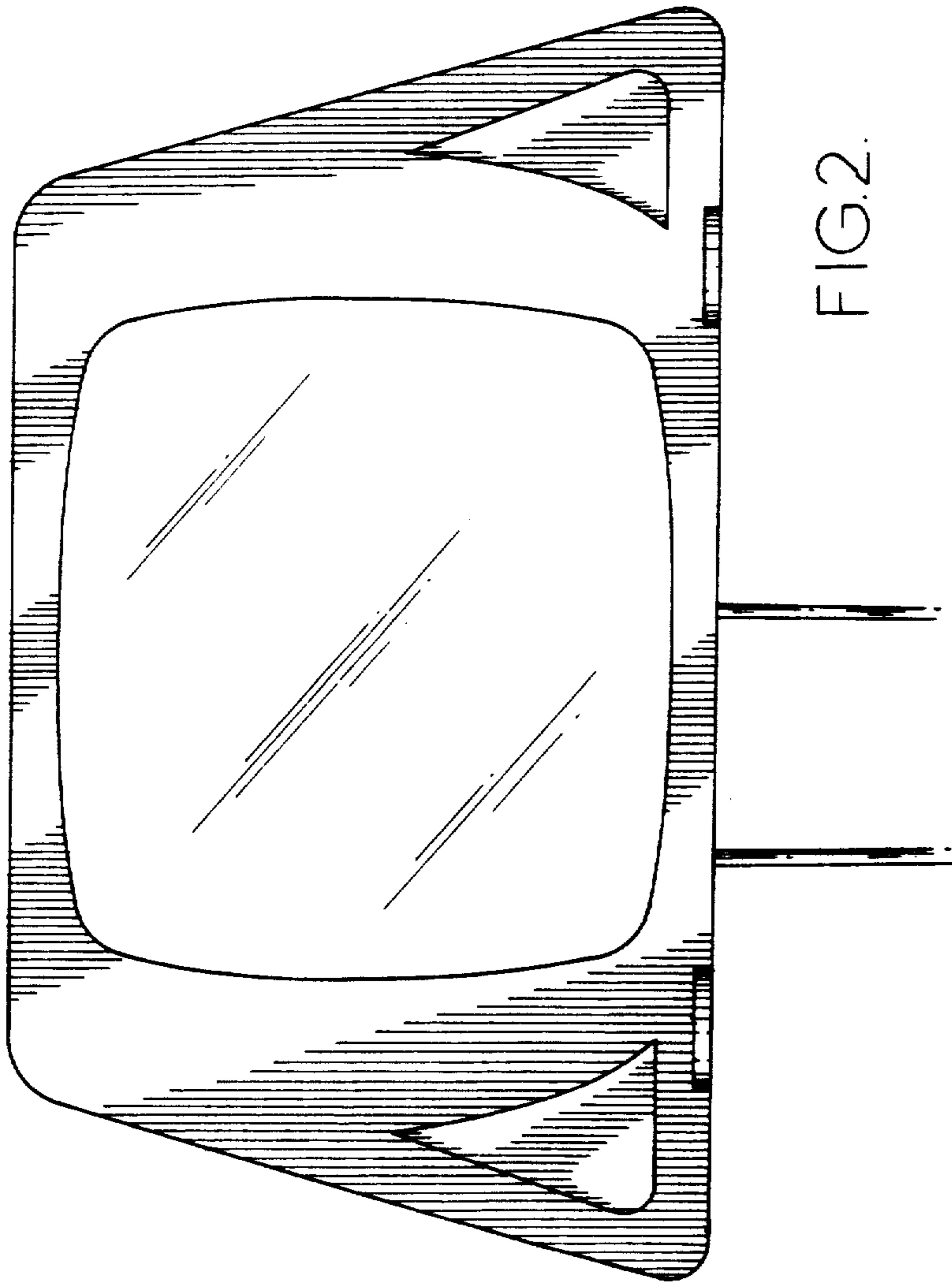


FIG. 2.

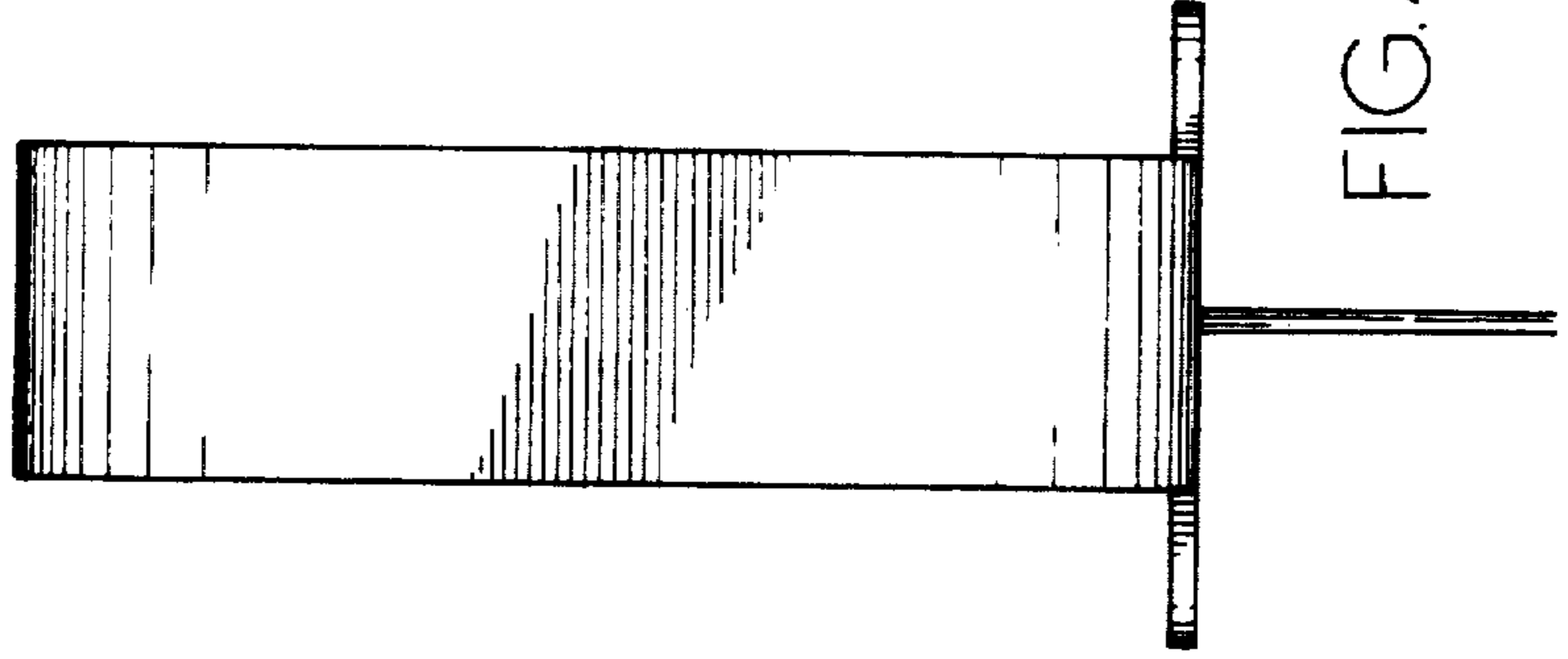


FIG. 4.

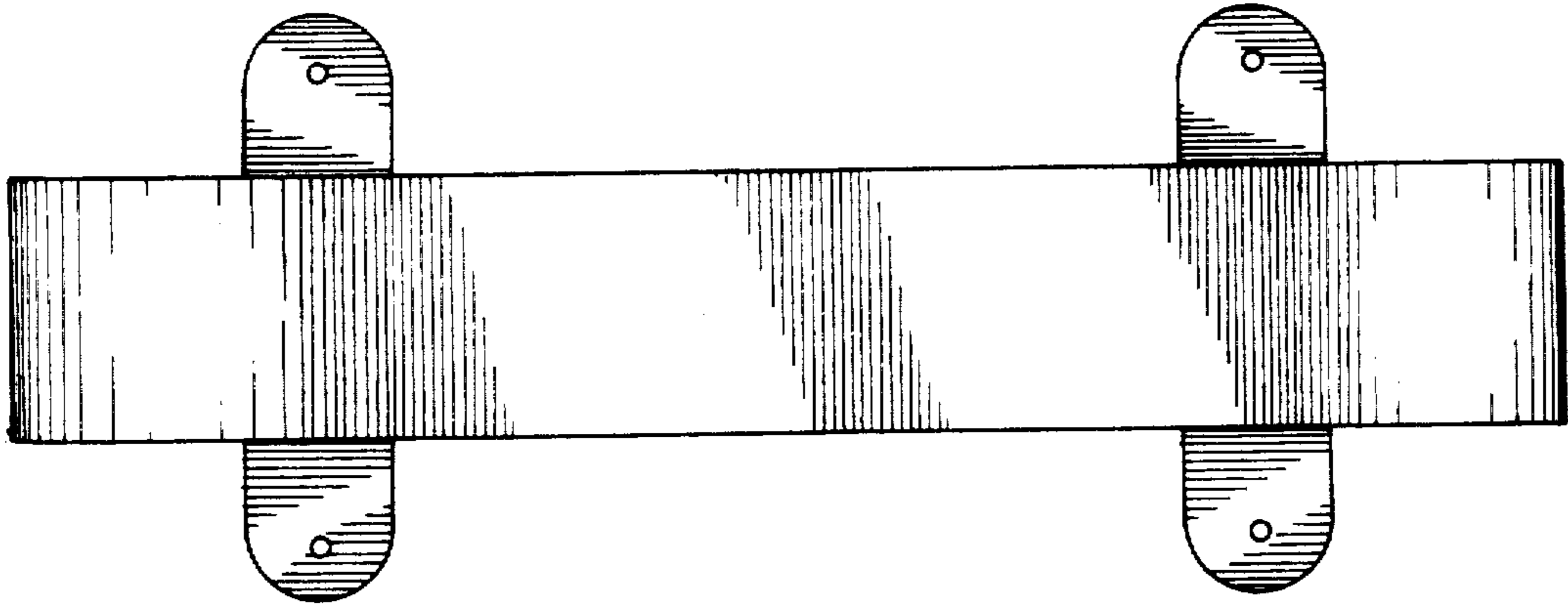


FIG. 5.

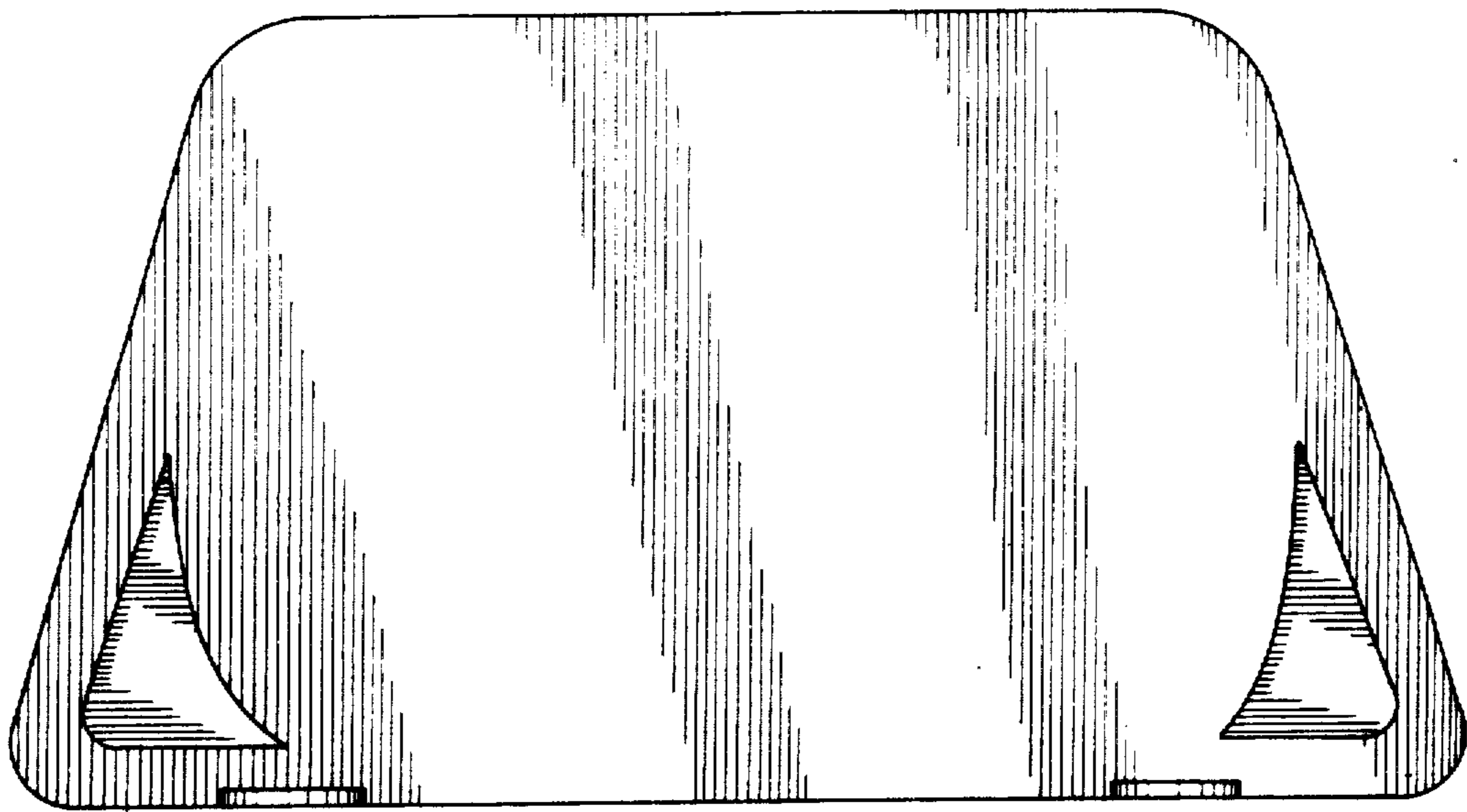


FIG. 3

FIG. 6.

