



US00D328140S

United States Patent [19]

Ahlström et al.

[11] Patent Number: Des. 328,140

[45] Date of Patent: ** Jul. 21, 1992

[54] EXTRUDED SECTION FOR DISPLAY RACKS

[75] Inventors: Tom Ahlström; Hans Ehrich; Kjell Svensson, all of Stockholm, Sweden

[73] Assignee: Turn-O-Matic AB, Sundbyberg, Sweden

[**] Term: 14 Years

[21] Appl. No.: 571,464

[22] Filed: Aug. 23, 1990

[30] Foreign Application Priority Data

Feb. 23, 1990 [SE] Sweden 90-0398

[52] U.S. Cl. D25/120

[58] Field of Search D25/121-125; D6/511-514; 248/235, 250; 312/129-130

[56] References Cited

U.S. PATENT DOCUMENTS

D. 311,657	10/1990	Pate	D6/511
673,712	8/1901	Harper	312/129
1,014,426	1/1912	Warren	312/129
2,263,212	11/1941	Irwin	D25/120

2,677,586	5/1954	Gerbode	312/130
3,165,110	1/1965	Brooks	D25/120
3,313,424	4/1967	Gingher	D25/121
3,490,800	1/1970	Wissler	D25/120
5,064,158	11/1991	Brazier et al.	248/255

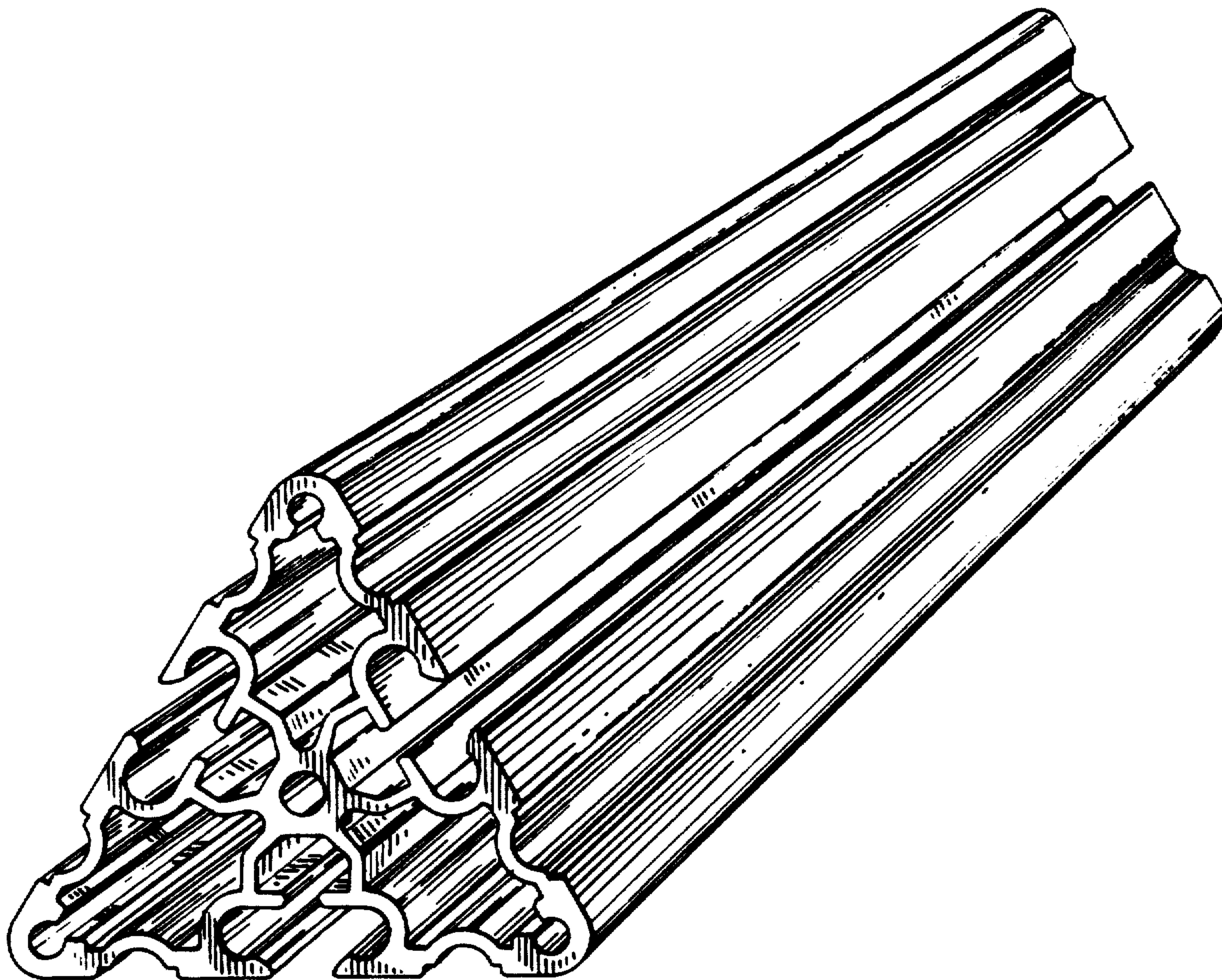
Primary Examiner—A. Hugo Word
Assistant Examiner—Doris Clark
Attorney, Agent, or Firm—Kane, Dalsimer, Sullivan, Kurucz, Levy, Eisele and Richard

[57] CLAIM

The ornamental design for an extruded section for display racks, as shown and described.

DESCRIPTION

FIG. 1 is a top, front, right-side perspective view of an extruded section for display racks showing our new design, the extruded section for display racks being of indeterminate length;
FIG. 2 is a top front, left-side perspective view thereof;
FIG. 3 is a front elevational view, the rear being identical thereto;
FIG. 4 is a top plan view thereof;
FIG. 5 is a left side elevational view, the right side being identical thereto; and,
FIG. 6 is a bottom plan view thereof.



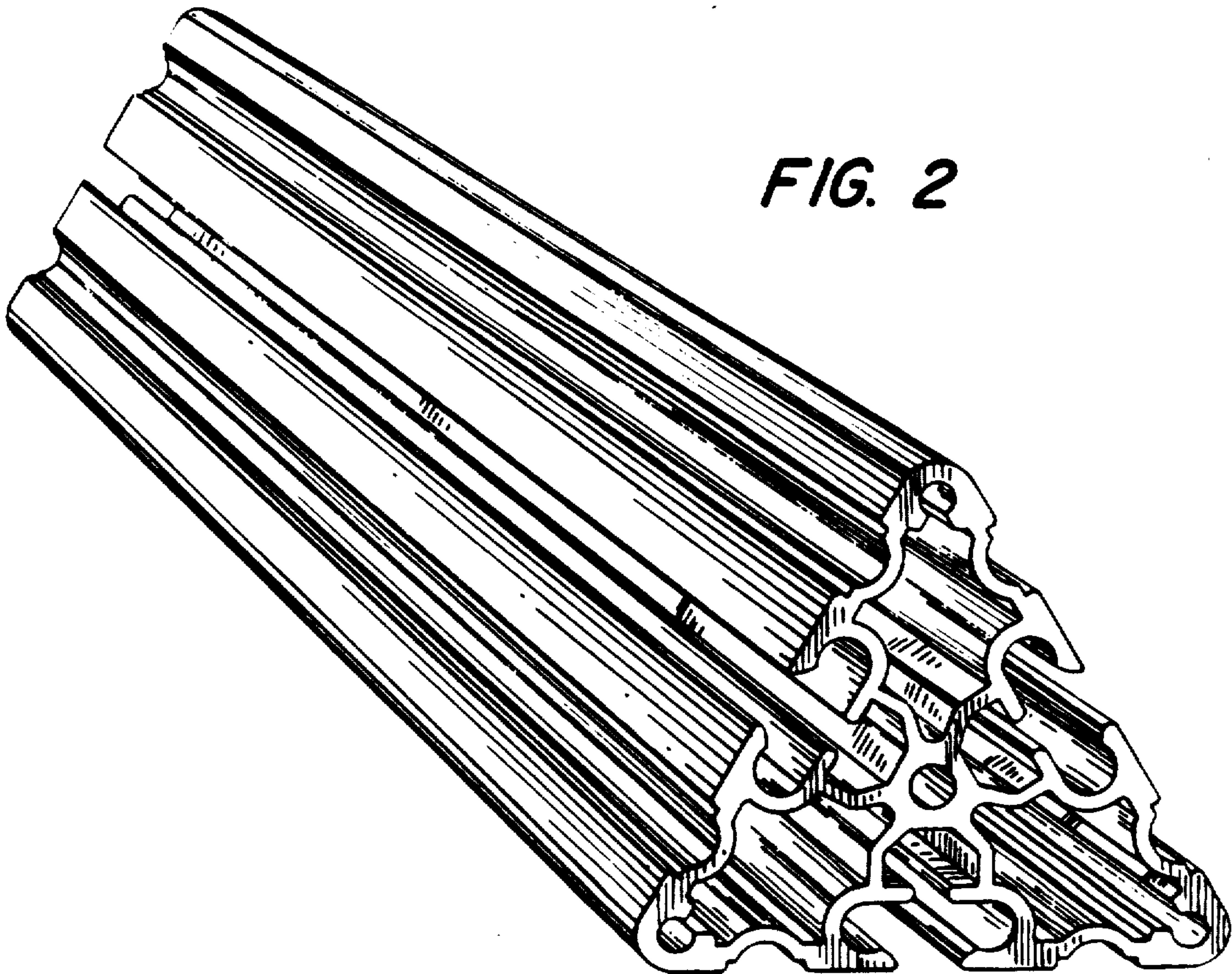
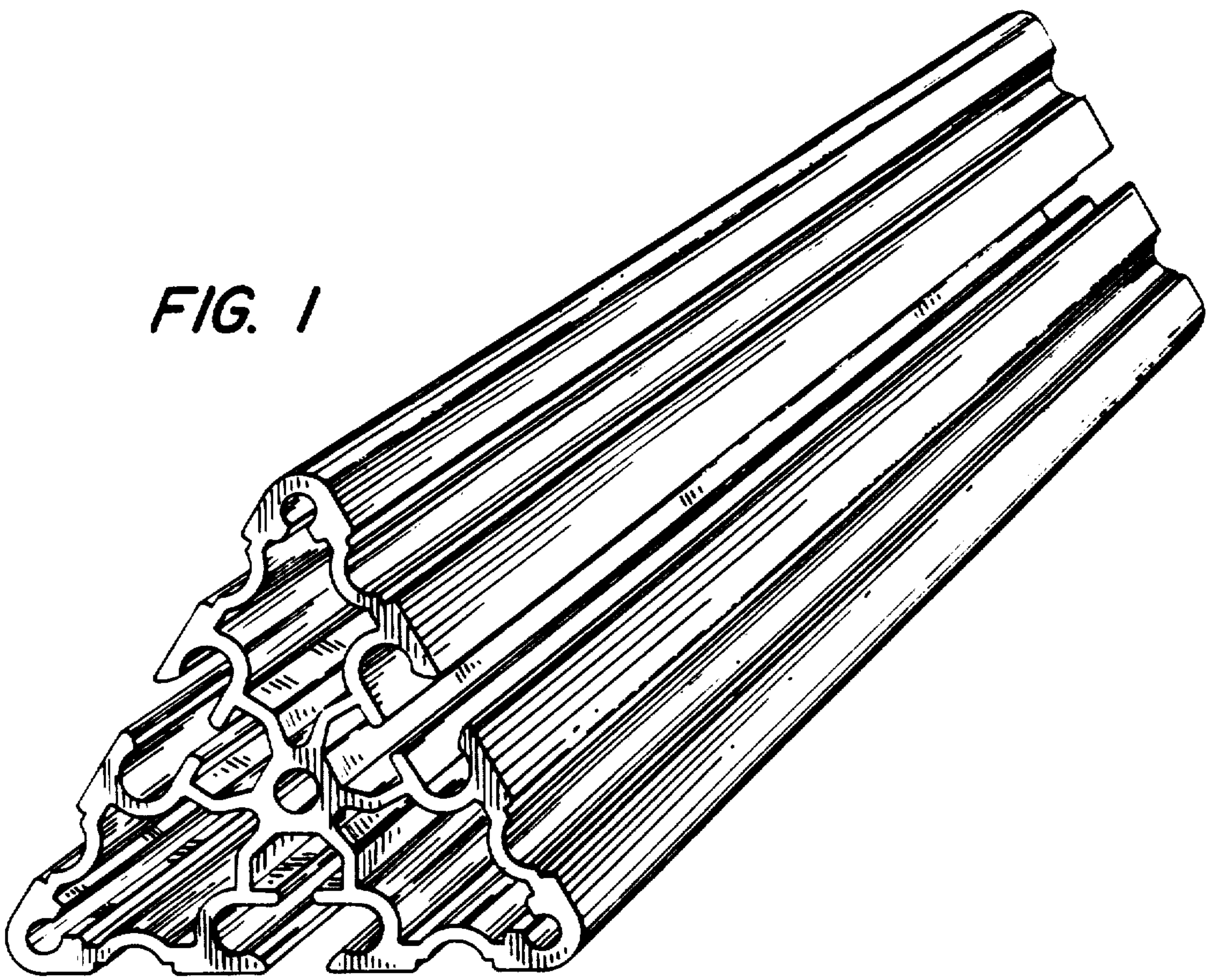


FIG. 3

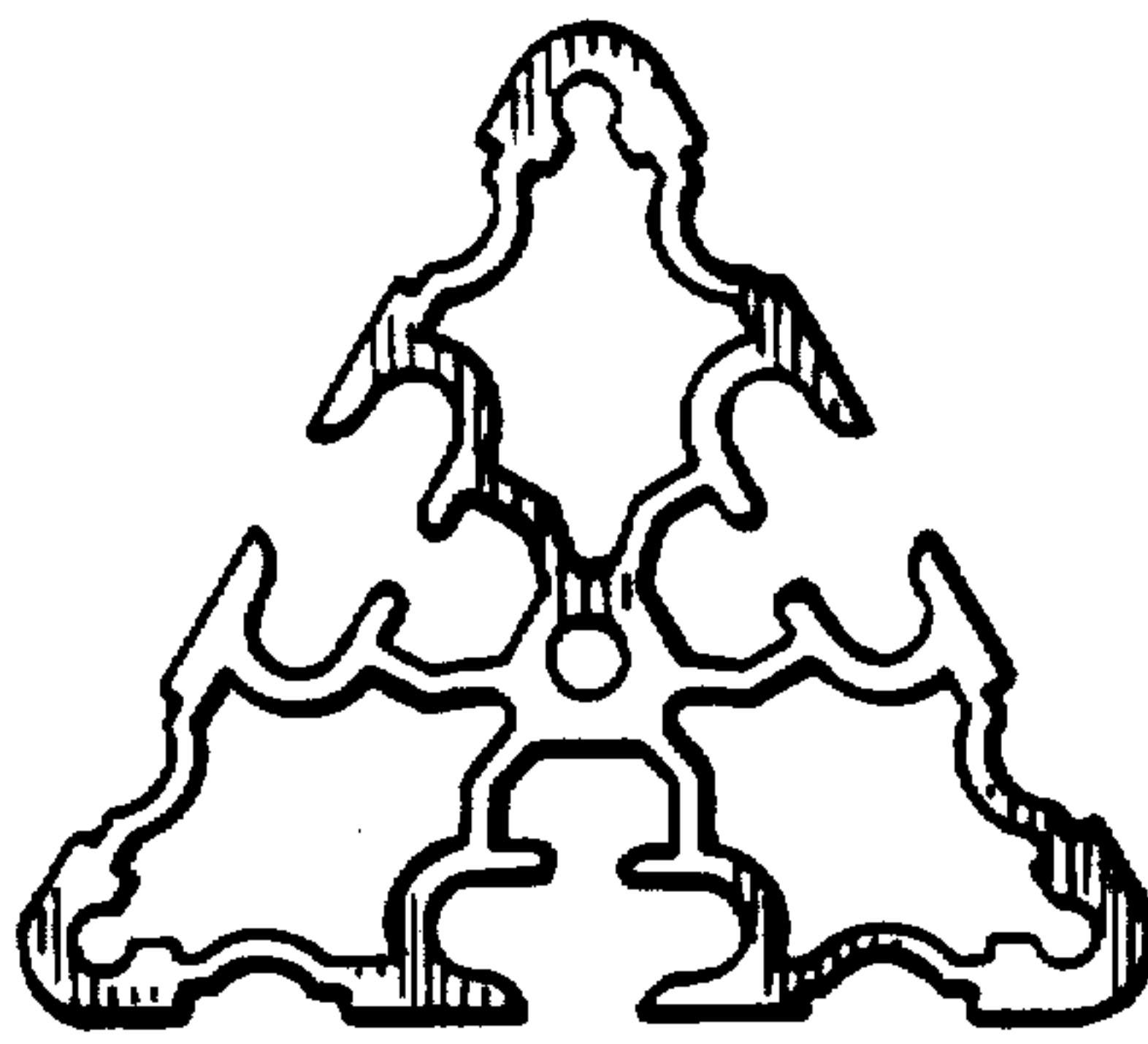


FIG. 4

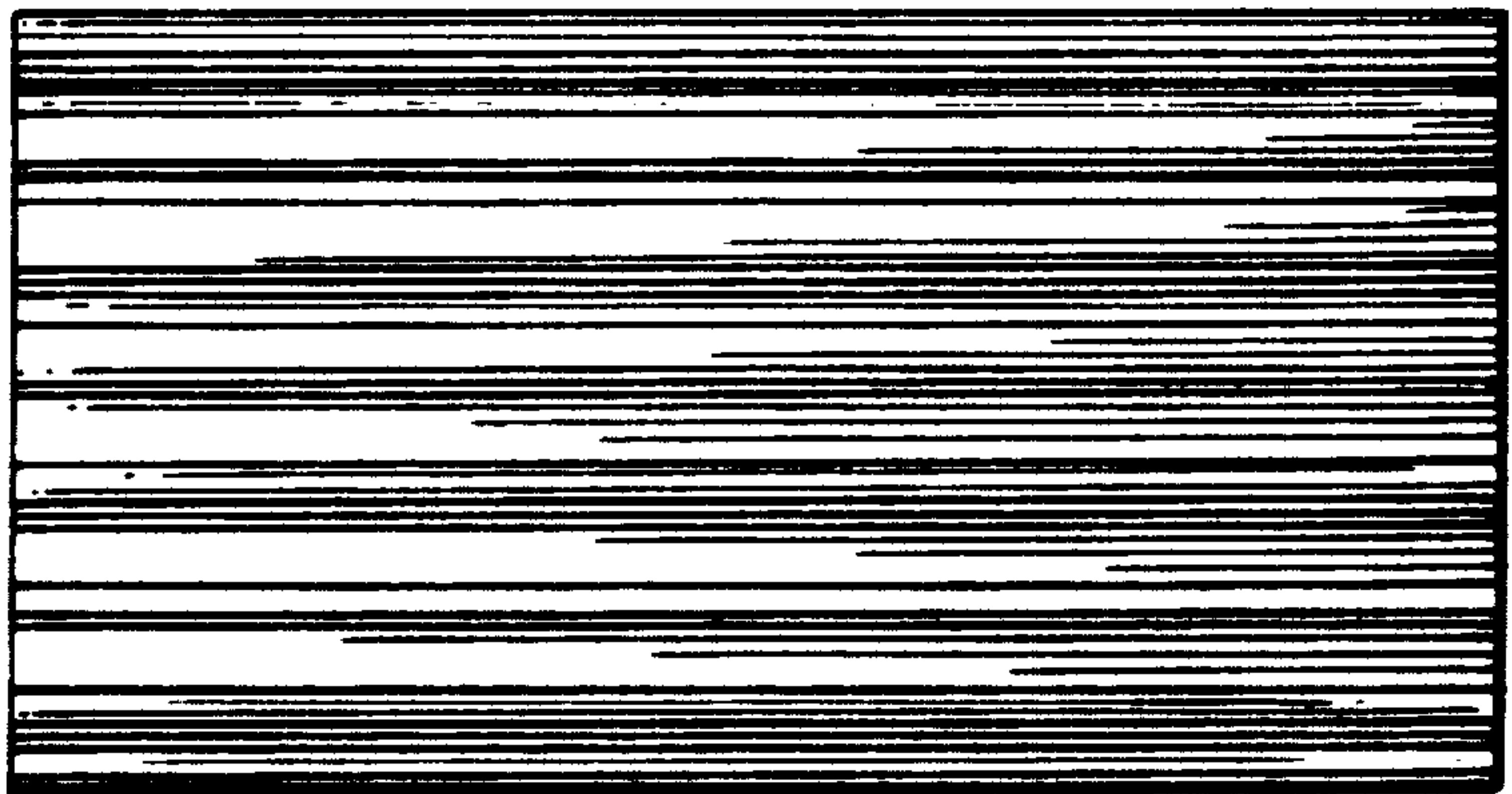


FIG. 5

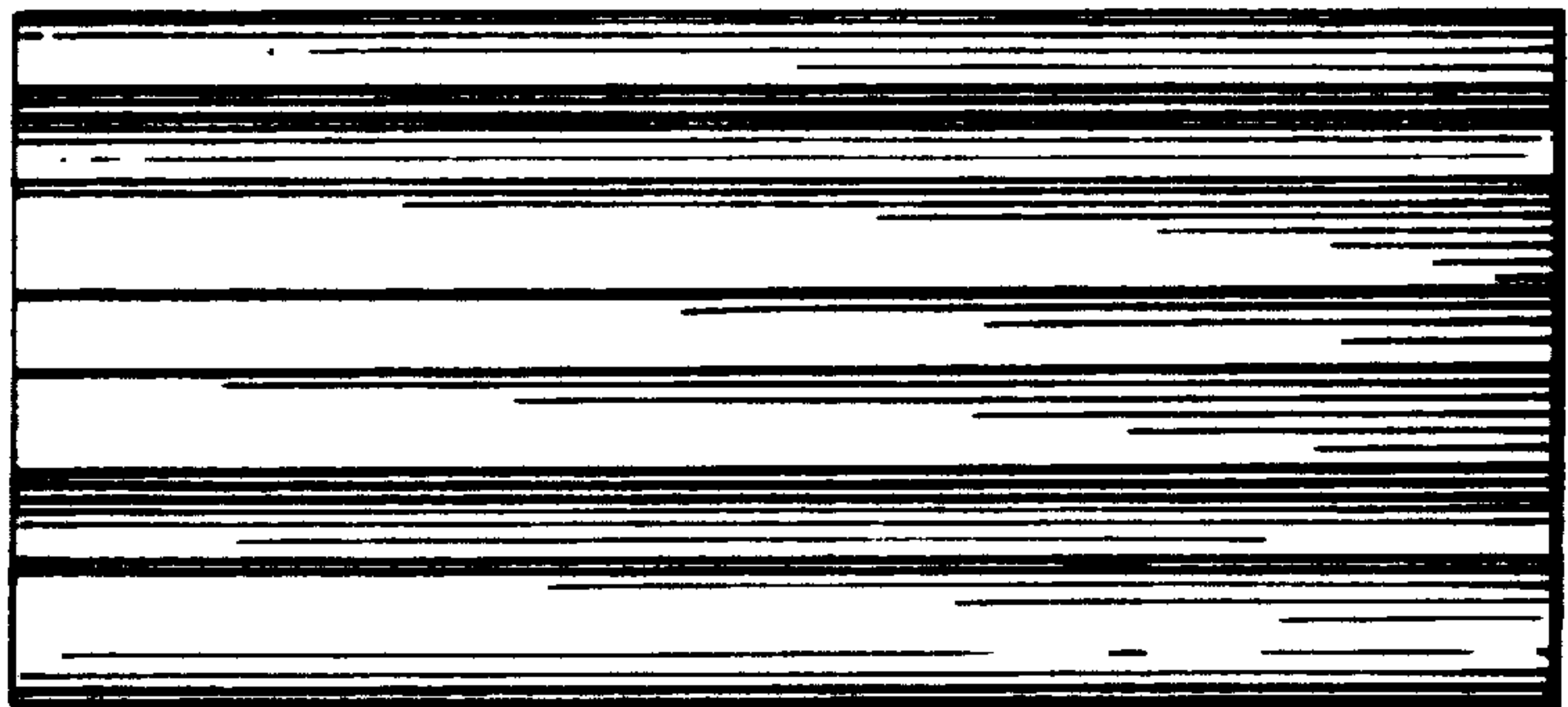


FIG. 6

