



US00D328129S

United States Patent [19] Holbl

[11] Patent Number: **Des. 328,129**

[45] Date of Patent: **** Jul. 21, 1992**

[54] **KNIFE HOLDER FOR A MICROTOME**

[75] Inventor: **Werner Holbl, Vienna, Austria**

[73] Assignee: **Leica Instruments GmbH, Nussloch, Fed. Rep. of Germany**

[**] Term: **14 Years**

[21] Appl. No.: **486,265**

[22] Filed: **Feb. 28, 1990**

[30] **Foreign Application Priority Data**

Aug. 29, 1989 [DE] Fed. Rep. of Germany 8906123

[52] U.S. Cl. **D24/128**

[58] Field of Search D24/128; 83/915.5; 269/100

[56] **References Cited**

U.S. PATENT DOCUMENTS

728,656	5/1903	Bausch et al.	83/915.5
2,439,671	4/1948	Ott	83/915.5
2,643,579	6/1953	Jacoby, Jr.	83/915.5

2,822,726	2/1958	Blum	83/915.5
3,832,923	9/1974	Lossmann et al.	83/915.5
3,913,903	10/1975	Seward et al.	269/100
3,975,977	8/1976	Mörnberg	83/915.5
4,207,790	6/1980	Endo	83/915.5

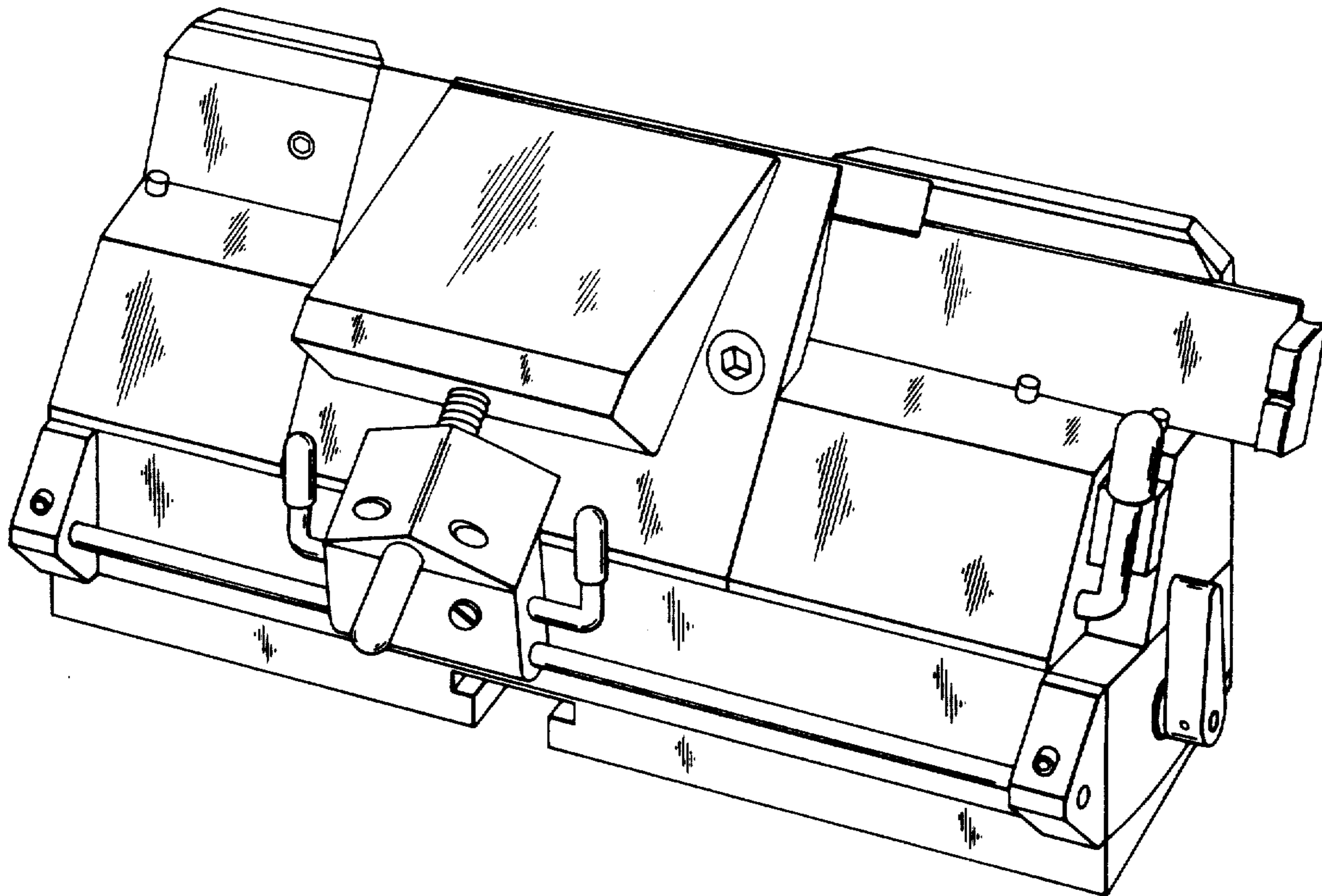
Primary Examiner—A. Hugo Word
Assistant Examiner—Celia A. Murphy
Attorney, Agent, or Firm—Bean, Kauffman & Spencer

[57] CLAIM

The ornamental design for a knife holder for a microtome, as shown and described.

DESCRIPTION

FIG. 1 is a perspective view of a knife holder for a microtome showing my new design; FIG. 2 is a reduced front elevational view thereof; FIG. 3 is a top plan view of FIG. 2, the bottom being plain except for the slot which runs from front to rear as shown in FIGS. 1, 2, and 5; FIG. 4 is a right side elevational view of FIG. 2, the left side being plain and unadorned; and, FIG. 5 is a rear elevational view of FIG. 2.



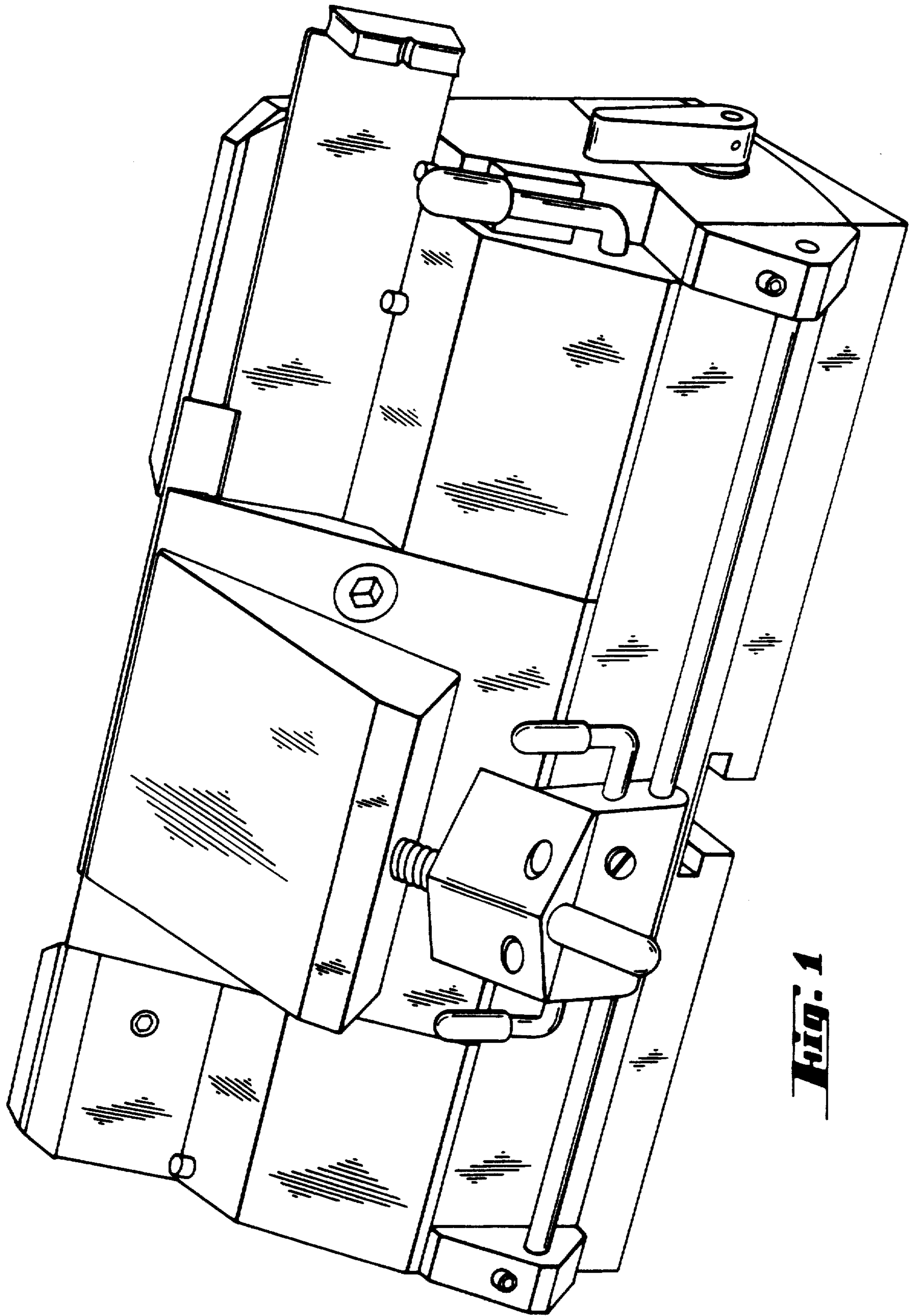


Fig. 1

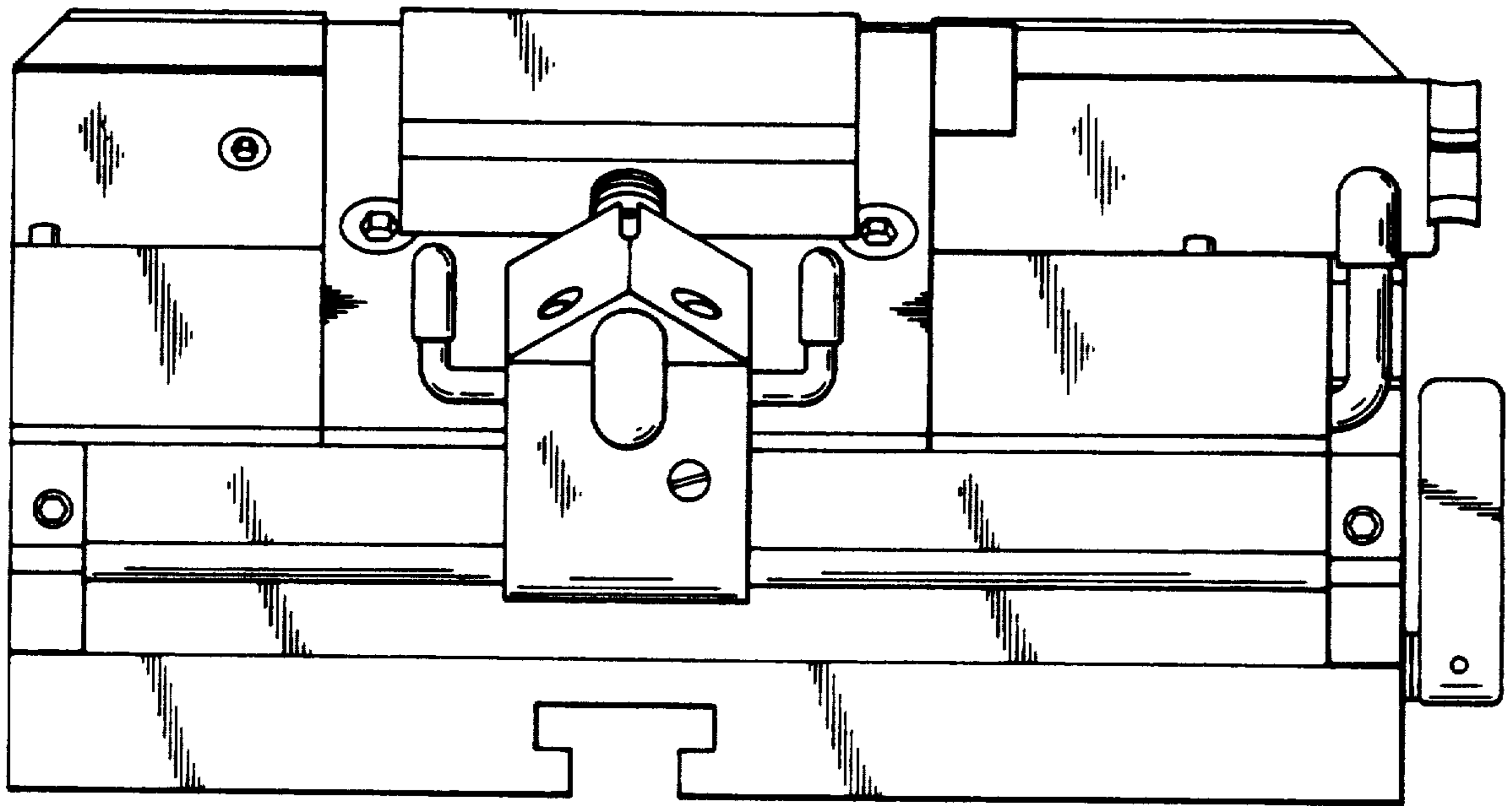


Fig. 2

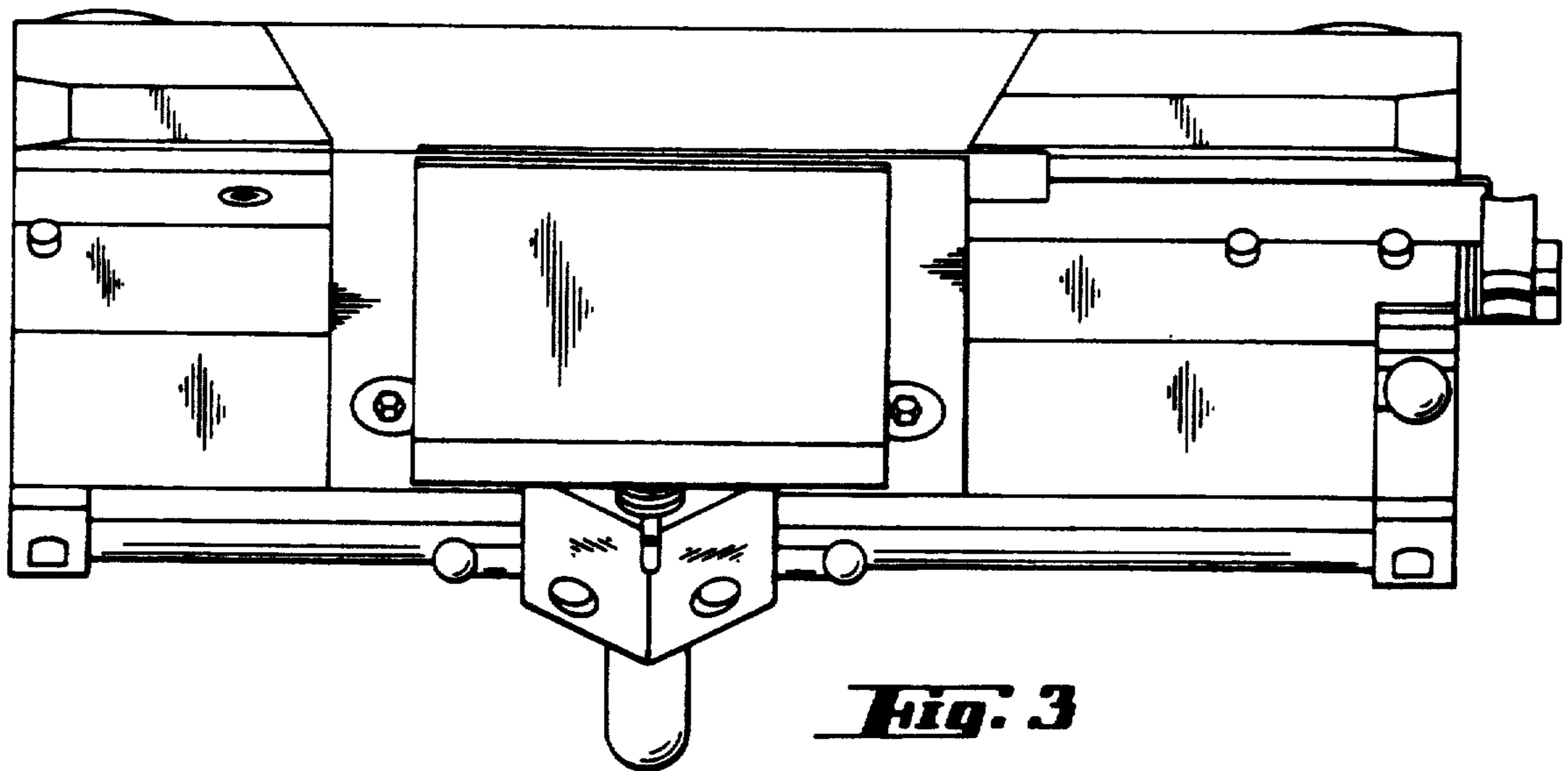


Fig. 3

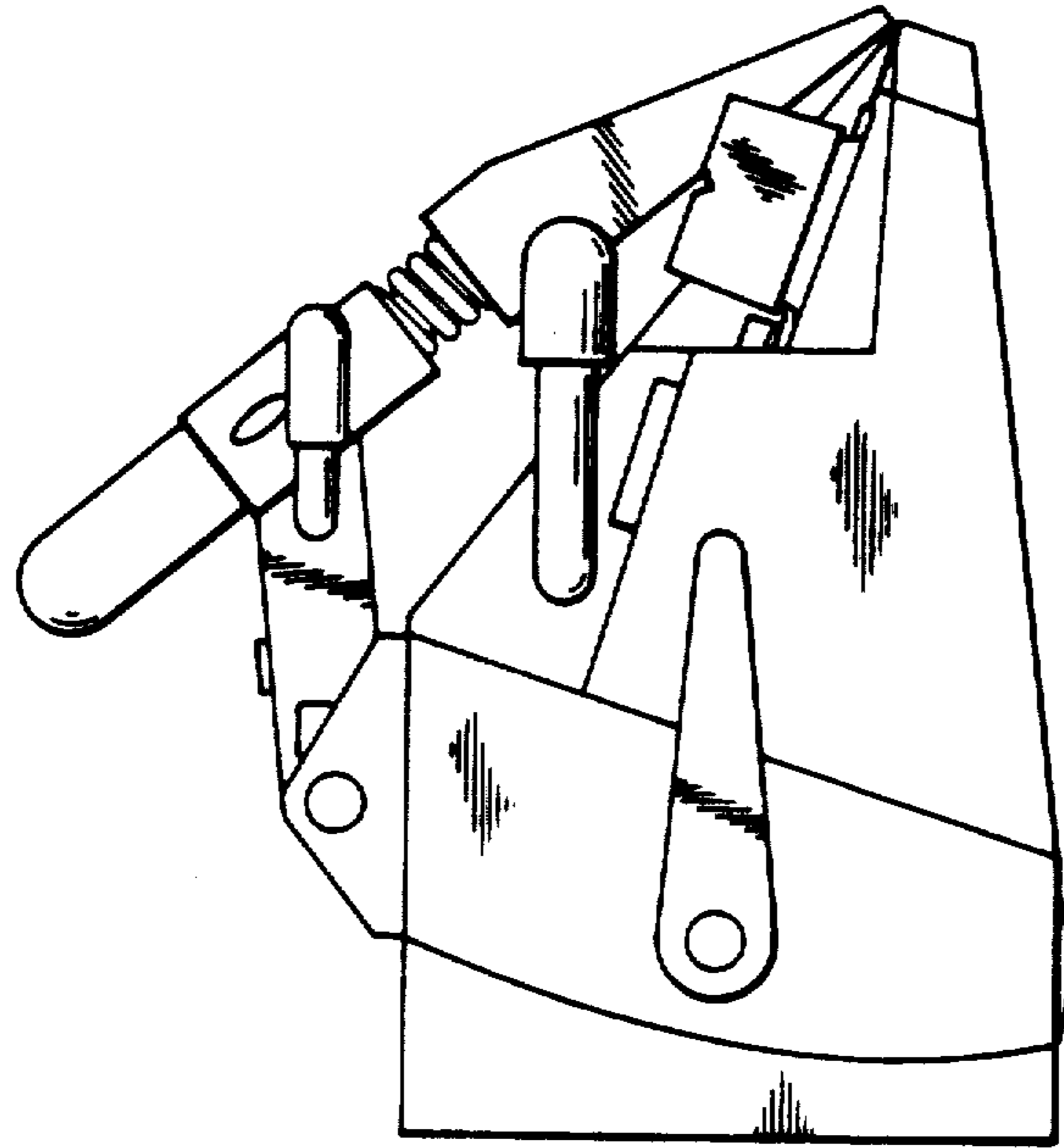


Fig. 4

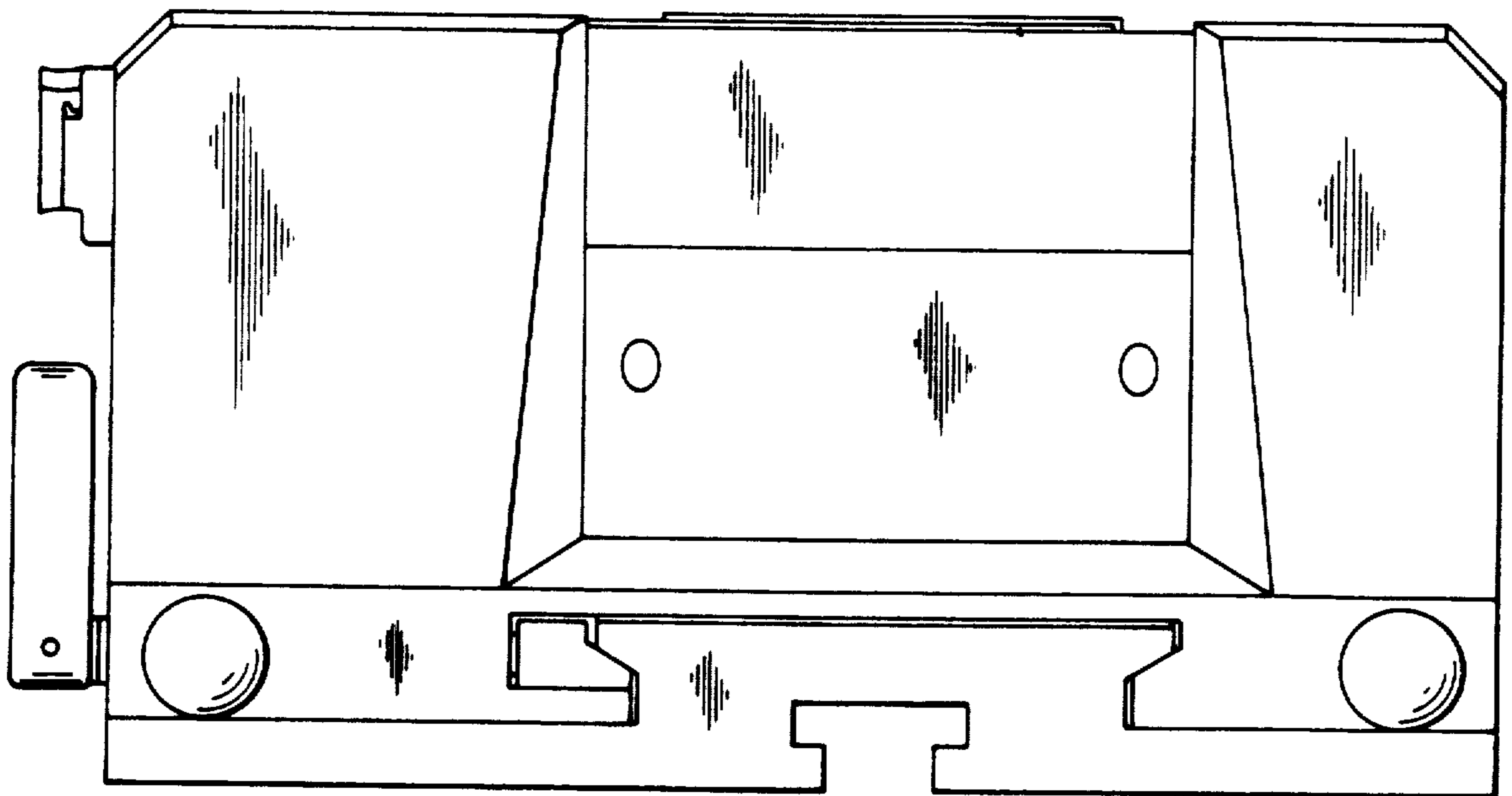


Fig. 5