



US00D328125S

United States Patent [19]

[11] Patent Number: Des. 328,125

Bae

[45] Date of Patent: ** Jul. 21, 1992

[54] **FOLDABLE SINK TABLE**

[75] Inventor: Sok-Kyu Bae, Seoul, Rep. of Korea

[73] Assignee: The Coleman Company, Inc.,
Wichita, Kans.

[**] Term: 14 Years

[21] Appl. No.: 323,984

[22] Filed: Mar. 15, 1989

[52] U.S. Cl. D23/286; D6/429;
D6/430

[58] Field of Search D23/270, 285, 286;
D6/429, 430; 108/25, 34, 35, 115; 312/228, 241,
244

[56] **References Cited**

U.S. PATENT DOCUMENTS

D. 199,871	12/1964	Lanigan	D6/429 X
D. 257,592	12/1980	Kinsey	D23/287
D. 263,533	3/1982	Ferdinand et al.	D6/429 X
D. 285,522	9/1986	Basini	D23/272 X
1,656,789	1/1928	Haskin	108/99
2,122,275	6/1938	Bitney	108/25 X
2,944,862	7/1960	Heil	312/241 X

2,972,921	6/1960	Rachman et al.	108/26
4,934,280	6/1990	Bae	108/115 X

Primary Examiner—James R. Largen
Attorney, Agent, or Firm—Tilton, Fallon, Lungmus

[57] **CLAIM**

The ornamental design for a foldable sink table, as shown and described.

DESCRIPTION

FIG. 1 is a perspective view taken from the top, front and left side of a foldable sink table showing my new design;

FIG. 2 is a left side elevational view thereof;

FIG. 3 is a front elevational view thereof;

FIG. 4 is a rear elevational view thereof;

FIG. 5 is a bottom plan view thereof;

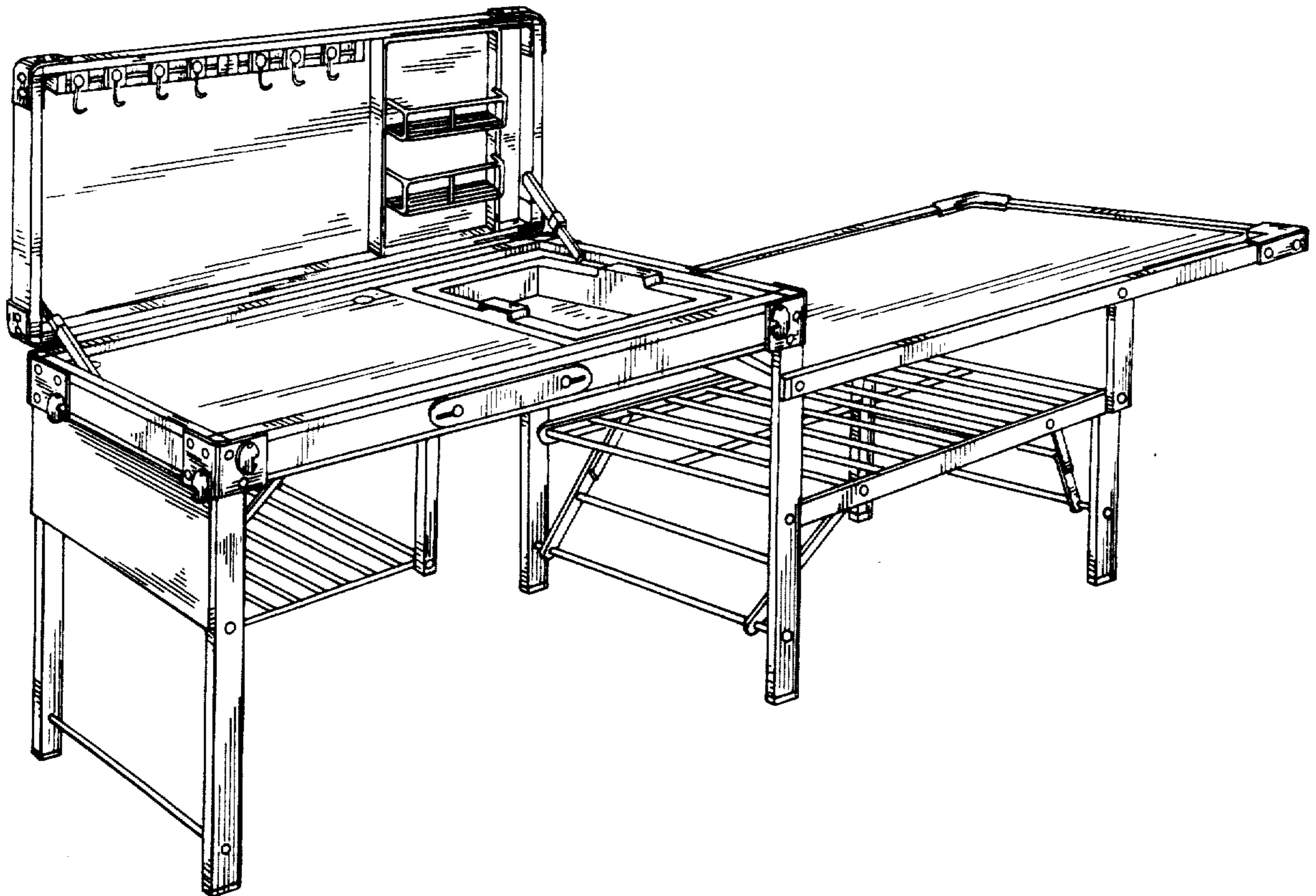
FIG. 6 is a right side elevational view thereof;

FIG. 7 is a top plan view thereof;

FIG. 8 is a front elevational view thereof, depicting a portion stored in folded position;

FIG. 9 is a further front elevational view thereof, depicting another portion stored in folded position; and,

FIG. 10 is yet a further front elevational view thereof, depicting all portions stored in a folded position.



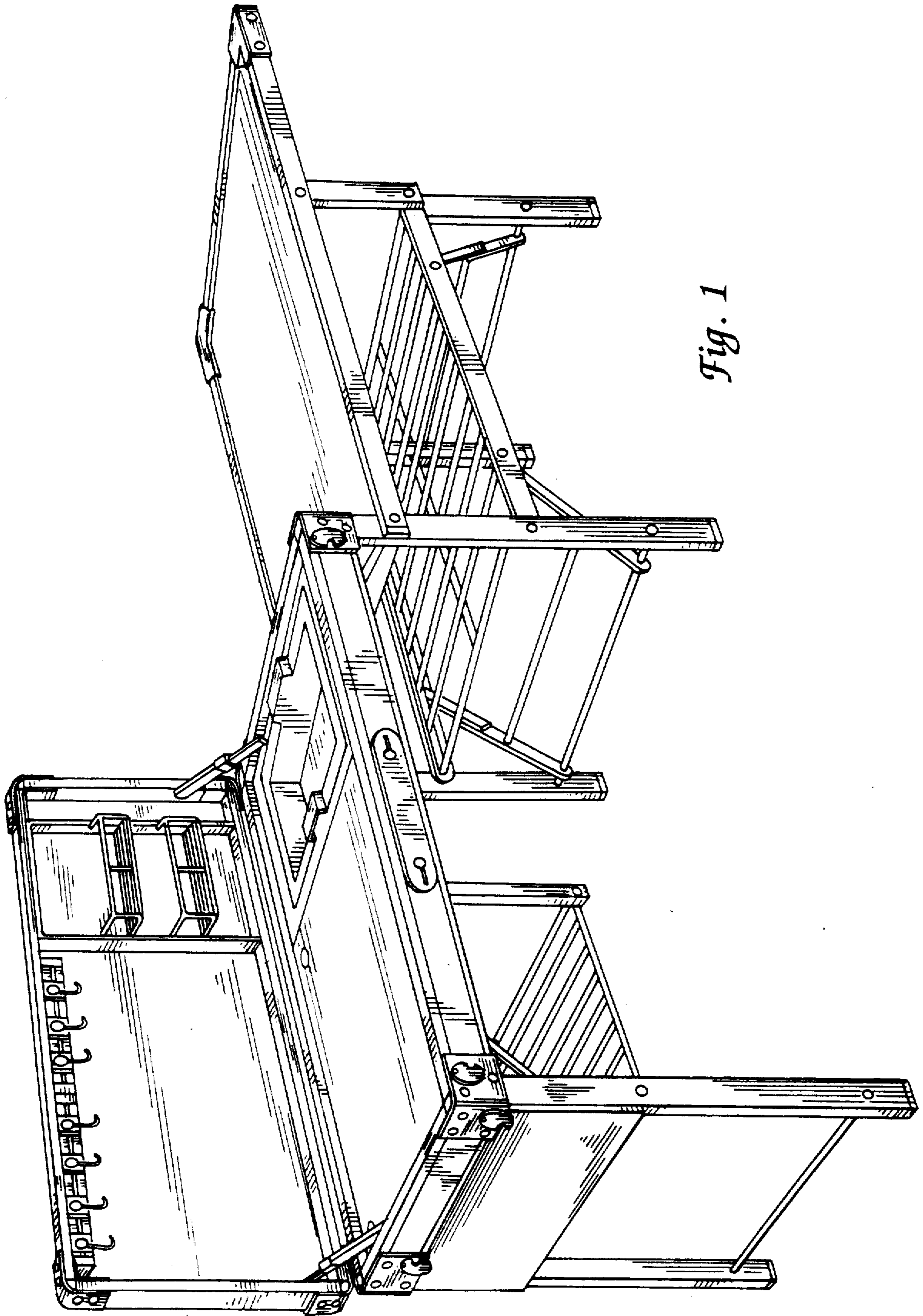


Fig. 1

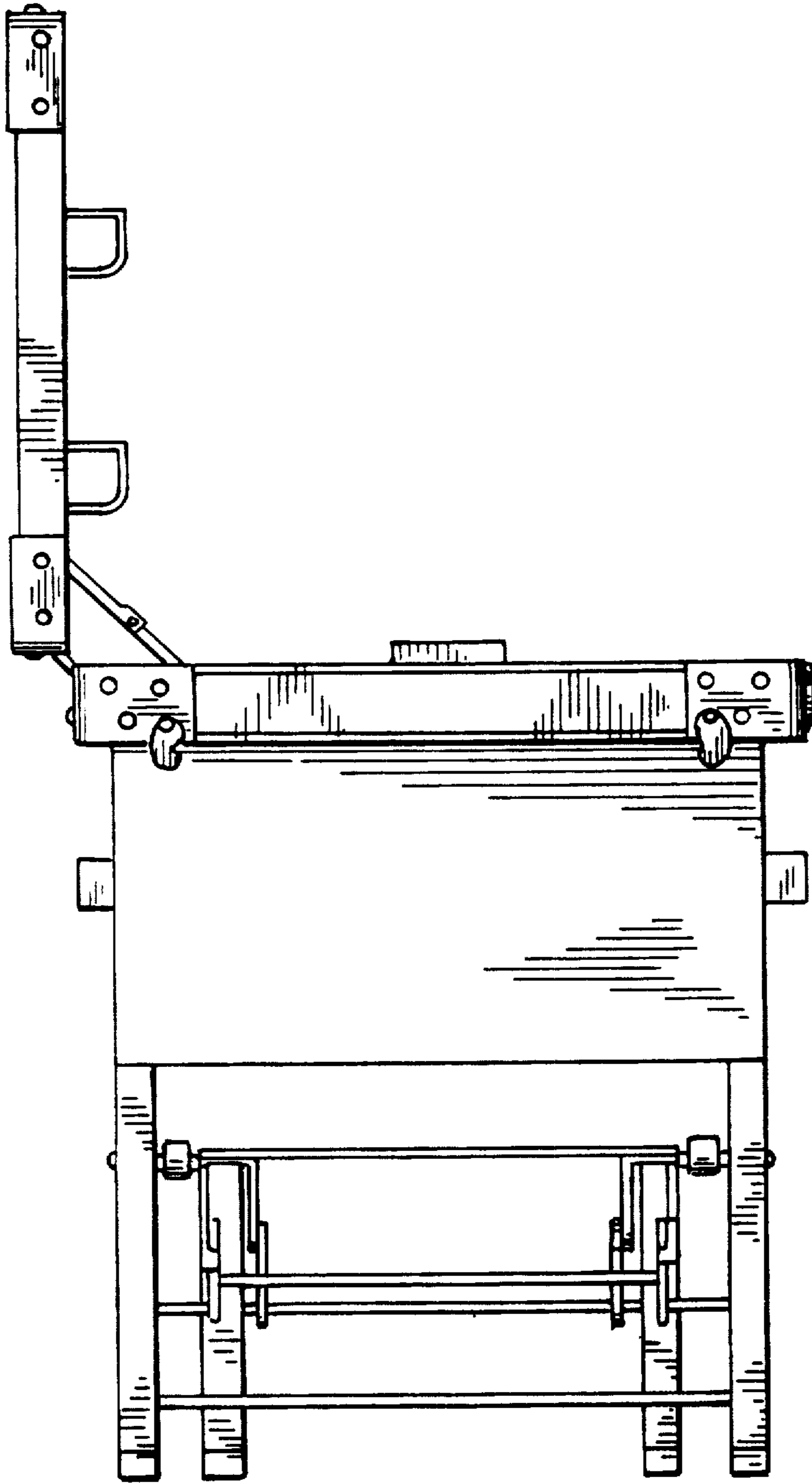
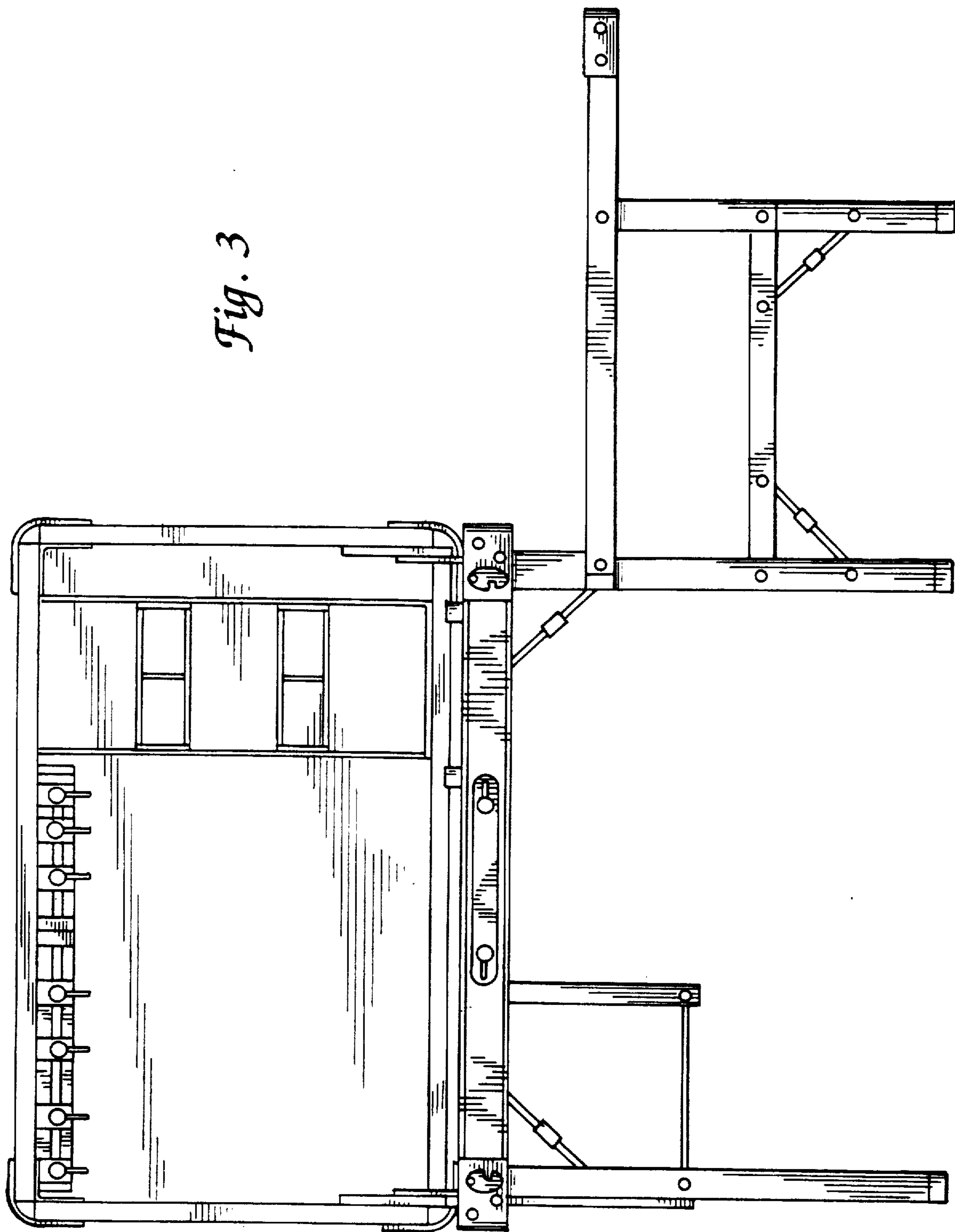


Fig. 2

Fig. 3



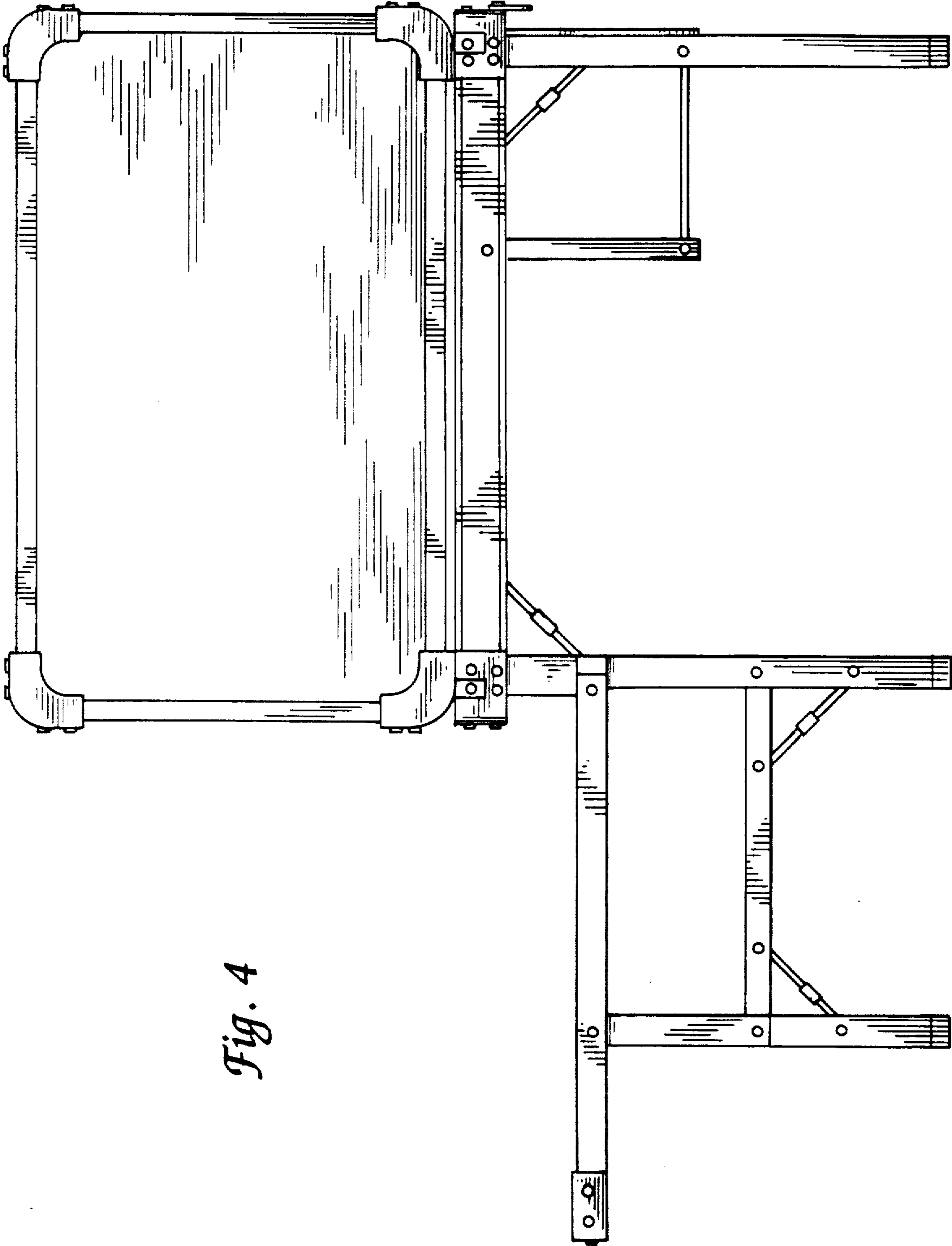


Fig. 4

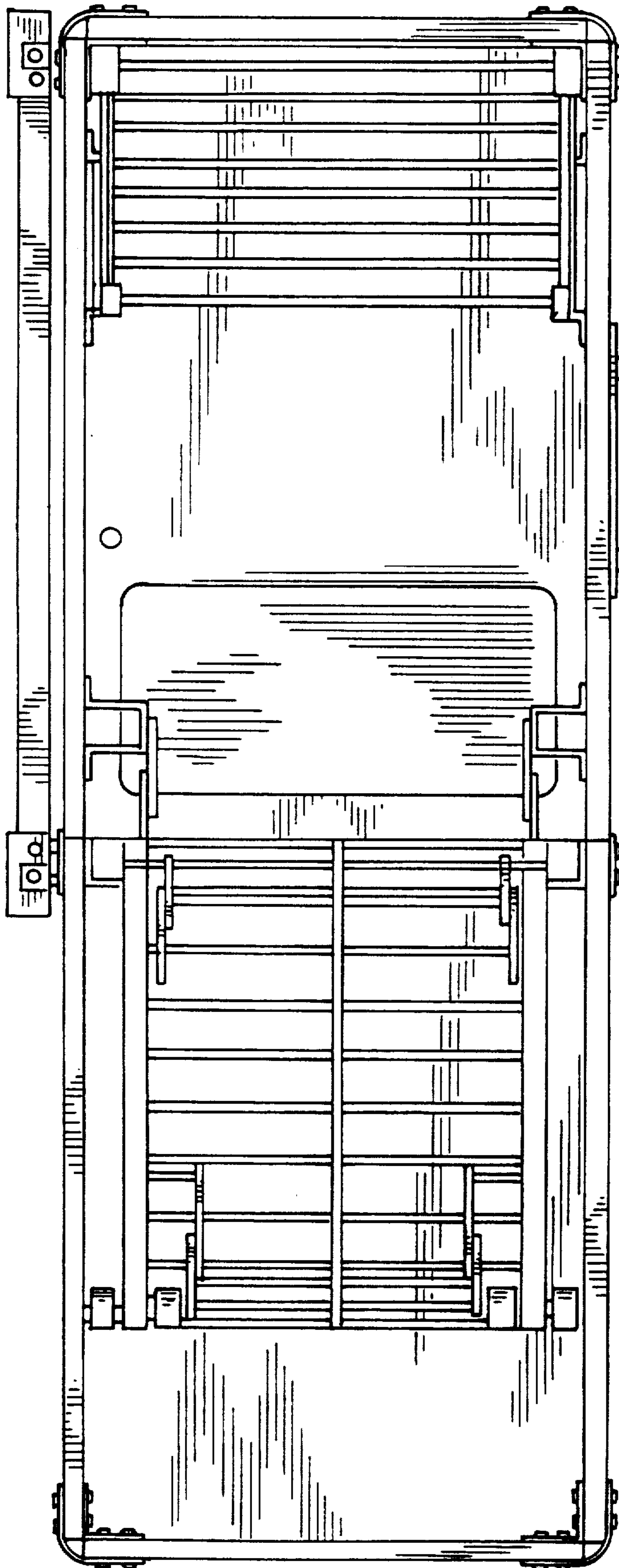


Fig. 5

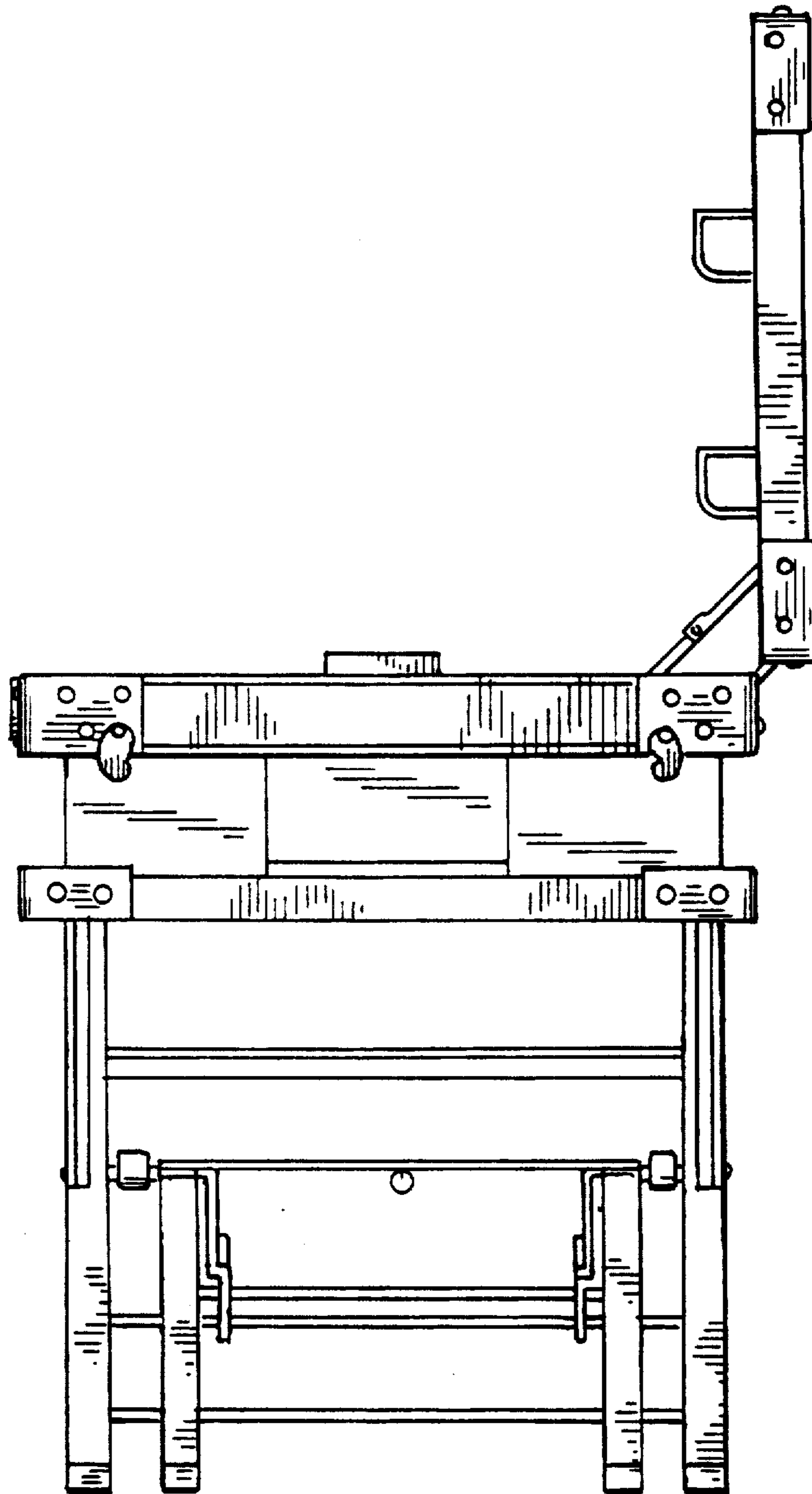


Fig. 6

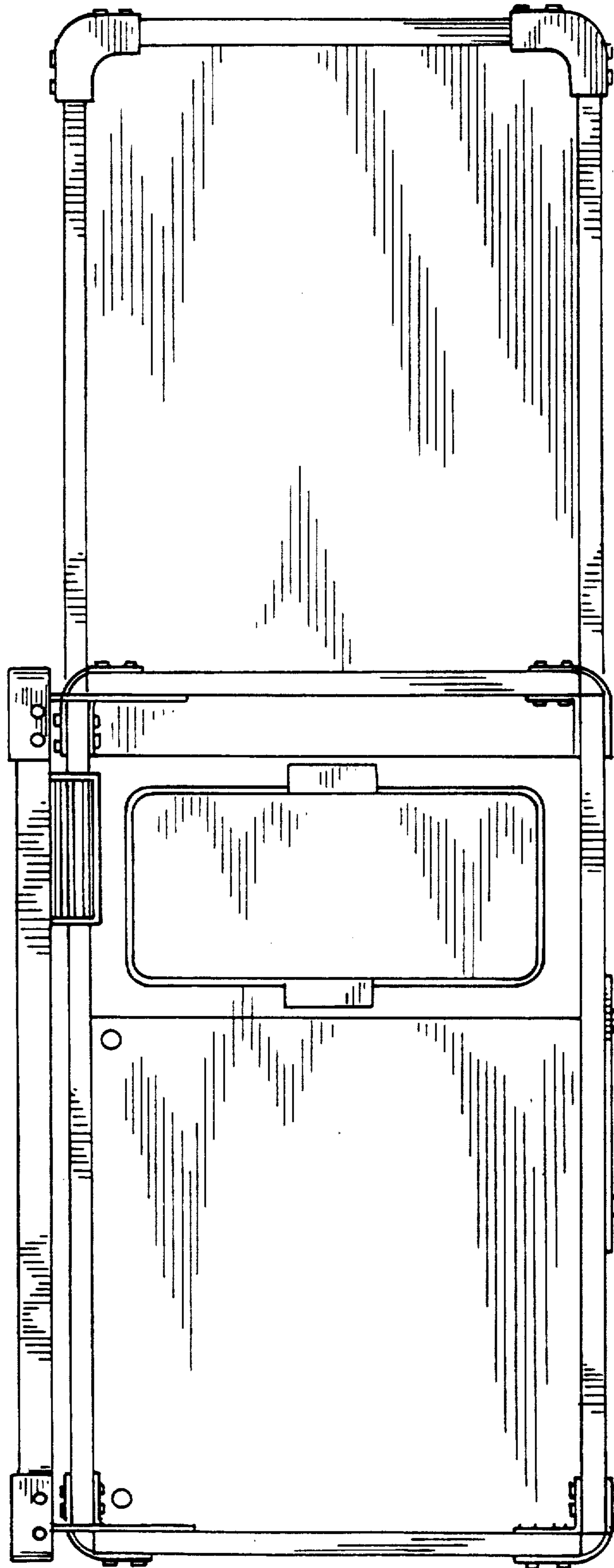
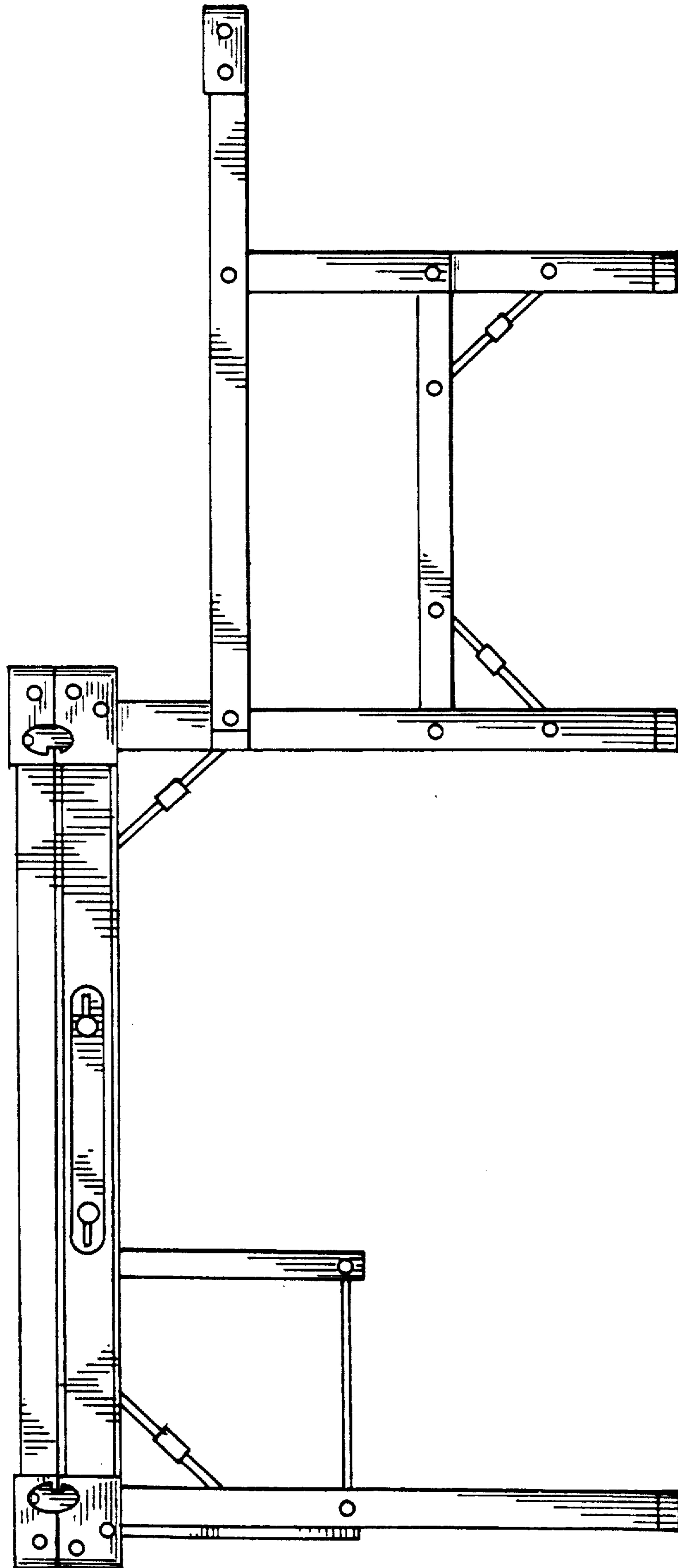


Fig. 7

Fig. 8



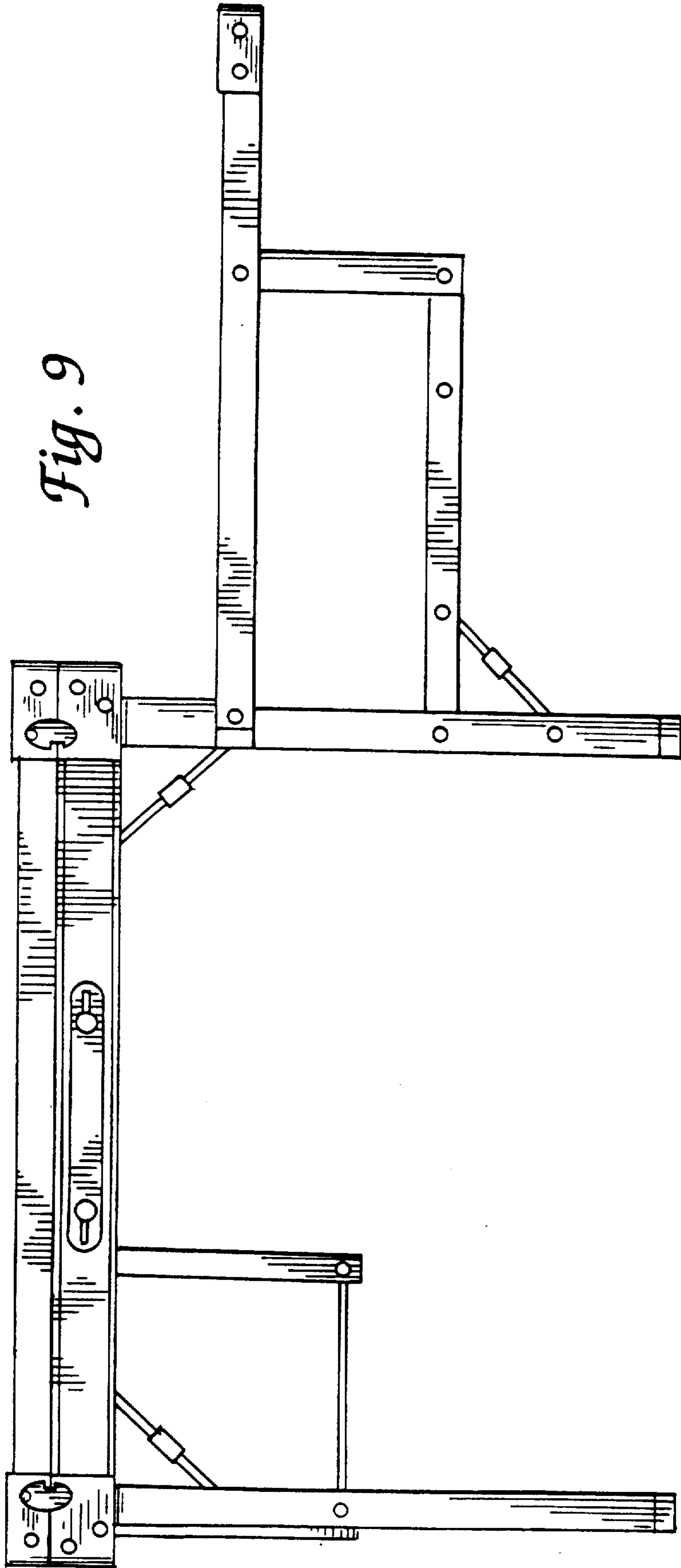


Fig. 9

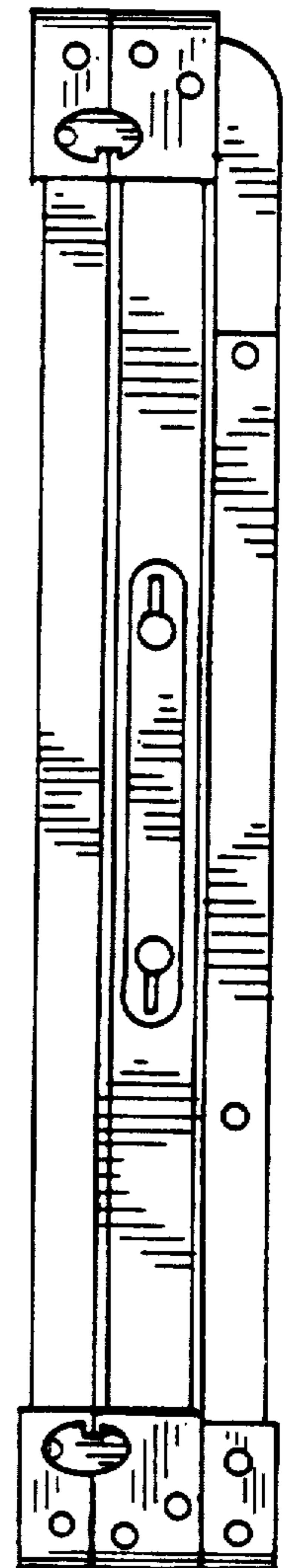


Fig. 10