



US00D328119S

# United States Patent [19] Matsch

[11] Patent Number: **Des. 328,119**  
[45] Date of Patent: **\*\* Jul. 21, 1992**

[54] **TUBE SLIDE**

[75] Inventor: **Ronald G. Matsch**, Overland Park, Kans.

[73] Assignee: **Discovery Zone, Inc.**, Kansas City, Mo.

[\*\*] Term: **14 Years**

[21] Appl. No.: **522,964**

[22] Filed: **May 14, 1990**

[52] U.S. Cl. .... **D21/244**

[58] Field of Search ..... **D21/244, 242; 472/116, 472/117; D6/411, 464, 465, 449**

Kitterman Inc., Kansas City, Mo., brochure.  
Plastic Sales & Manufacturing Co., Inc. PSM, catalog, pp. 16-26.  
Environments, Inc., Activity '89, catalog, pp. 31, 33, 35, 40, 52 and 53.

*Primary Examiner*—Bernard Ansher  
*Assistant Examiner*—Prabhakar Deshmukh  
*Attorney, Agent, or Firm*—Litman, McMahon & Brown

[57] **CLAIM**

The ornamental design for a tube slide, as shown and described.

**DESCRIPTION**

FIG. 1 is a perspective view of a tube slide showing my new design;

FIG. 2 is a top plan view thereof;

FIG. 3 is a bottom plan view thereof;

FIG. 4 is a right side elevational view thereof;

FIG. 5 is a left side elevational view thereof;

FIG. 6 is a front elevational view thereof; and,

FIG. 7 is a rear elevational view thereof.

The broken line showing of a support structure in FIG. 1 is for illustrative purposes only and form no part of the claim.

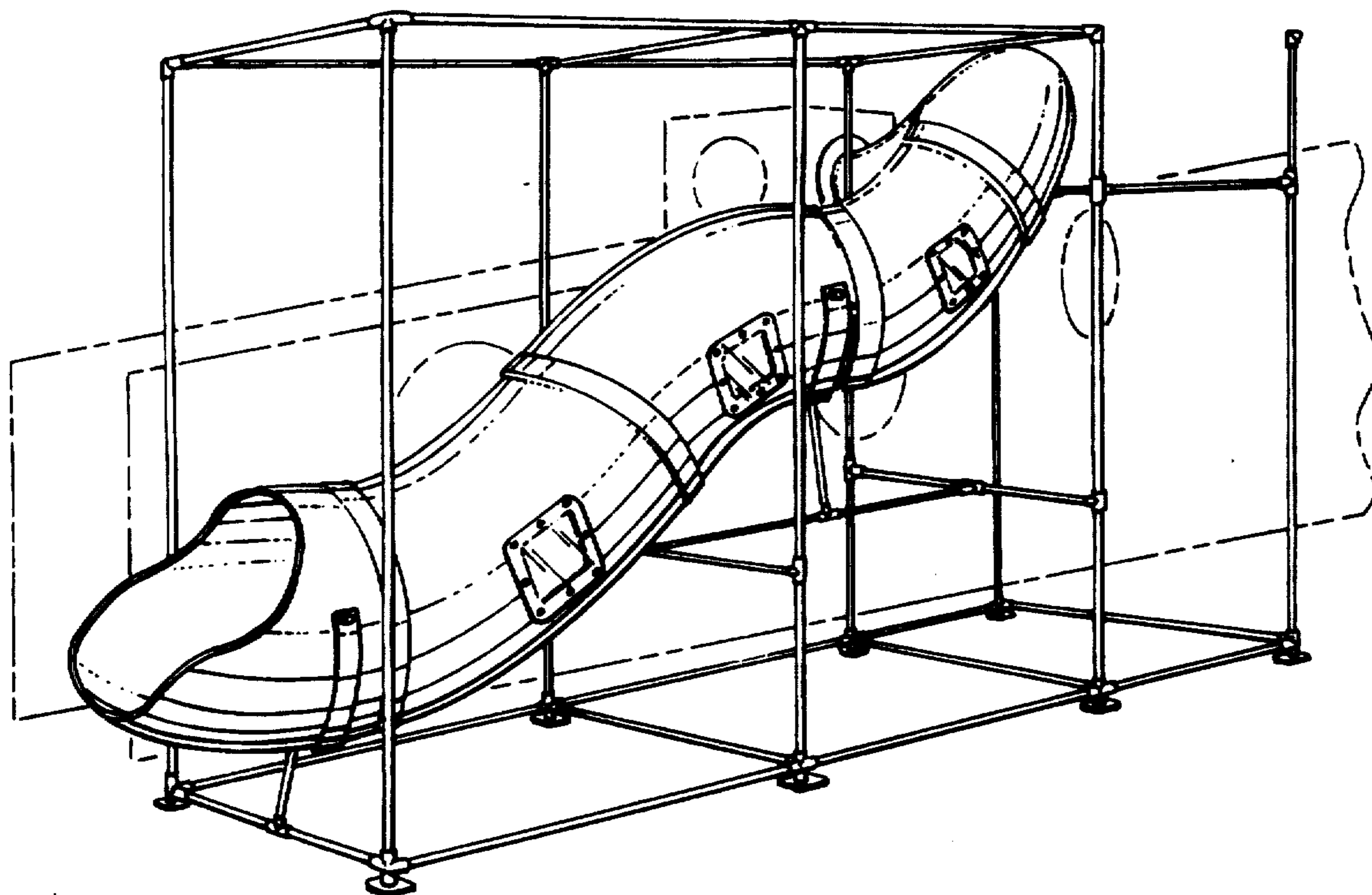
[56] **References Cited**

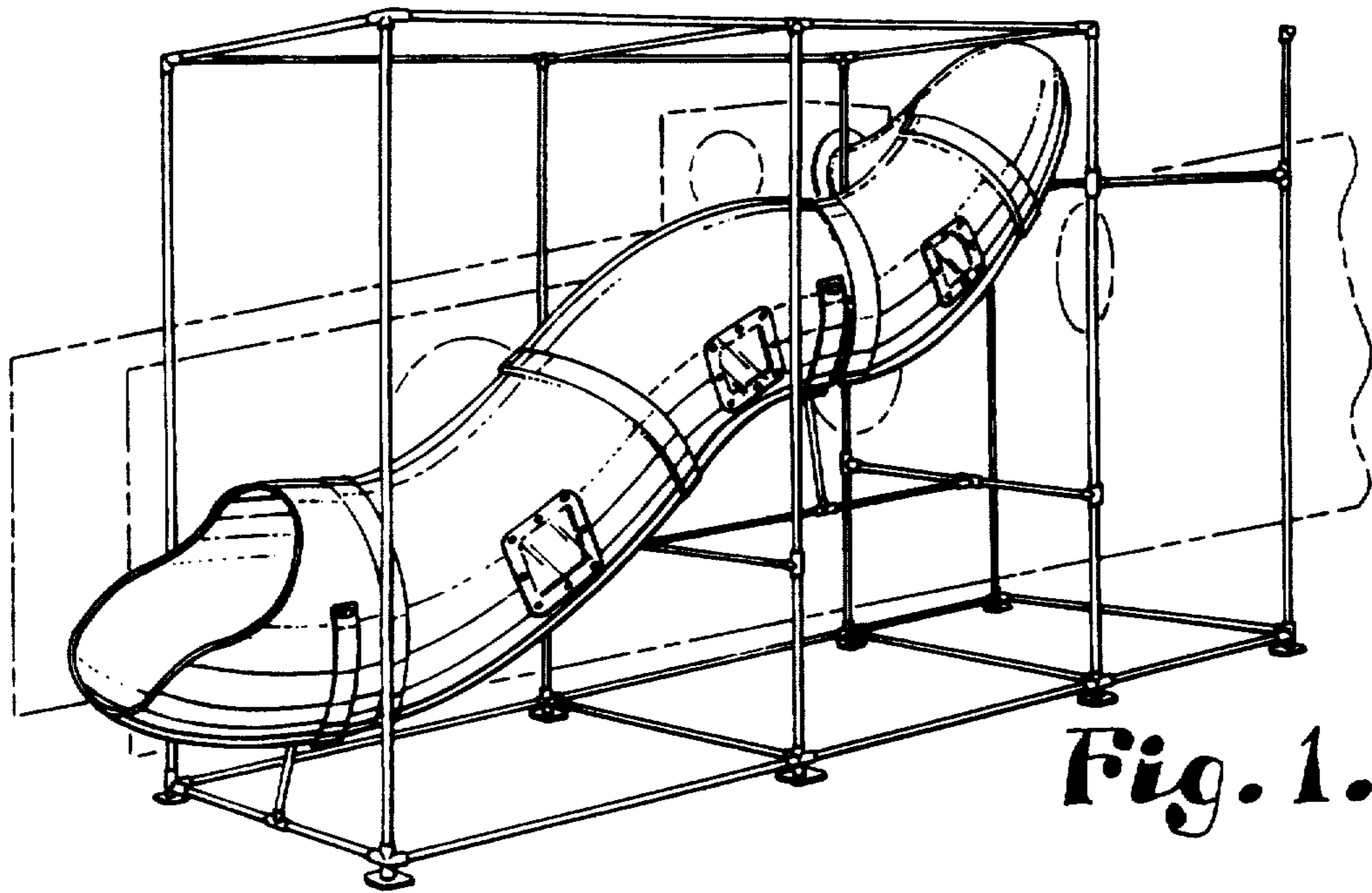
**U.S. PATENT DOCUMENTS**

D. 54,183	11/1919	Rylander	.....	D6/465
D. 250,784	1/1979	Dieter et al.	.....	D21/244
D. 269,106	5/1983	Brown	.....	D21/244
908,034	12/1908	Pyleck	.....	472/116 X
2,465,187	3/1949	Barrabee	.....	472/116
4,379,551	4/1983	Ahrens	.....	472/116

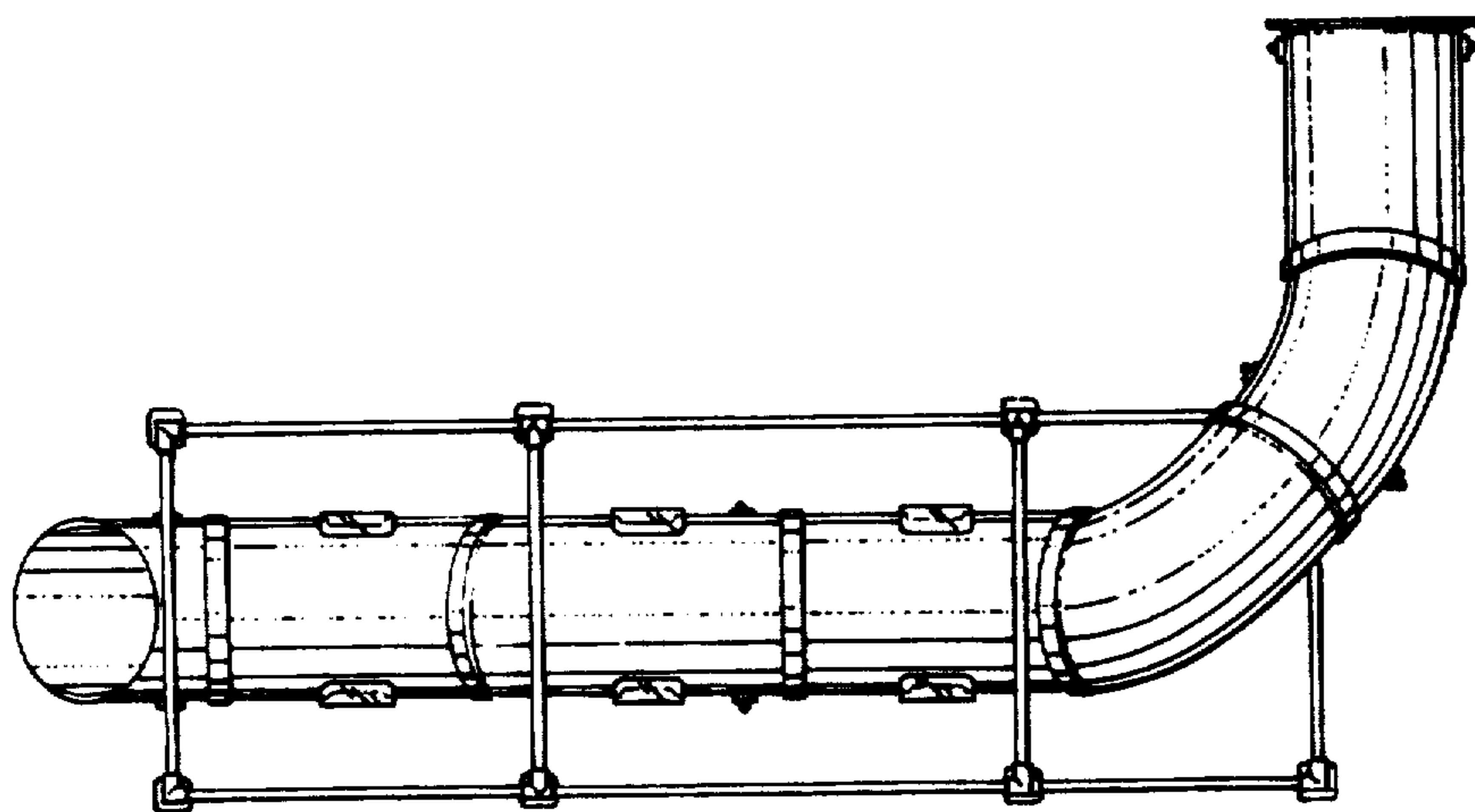
**OTHER PUBLICATIONS**

Mexico Forge cat, 1984, p. 49 Model No. 3813-311.

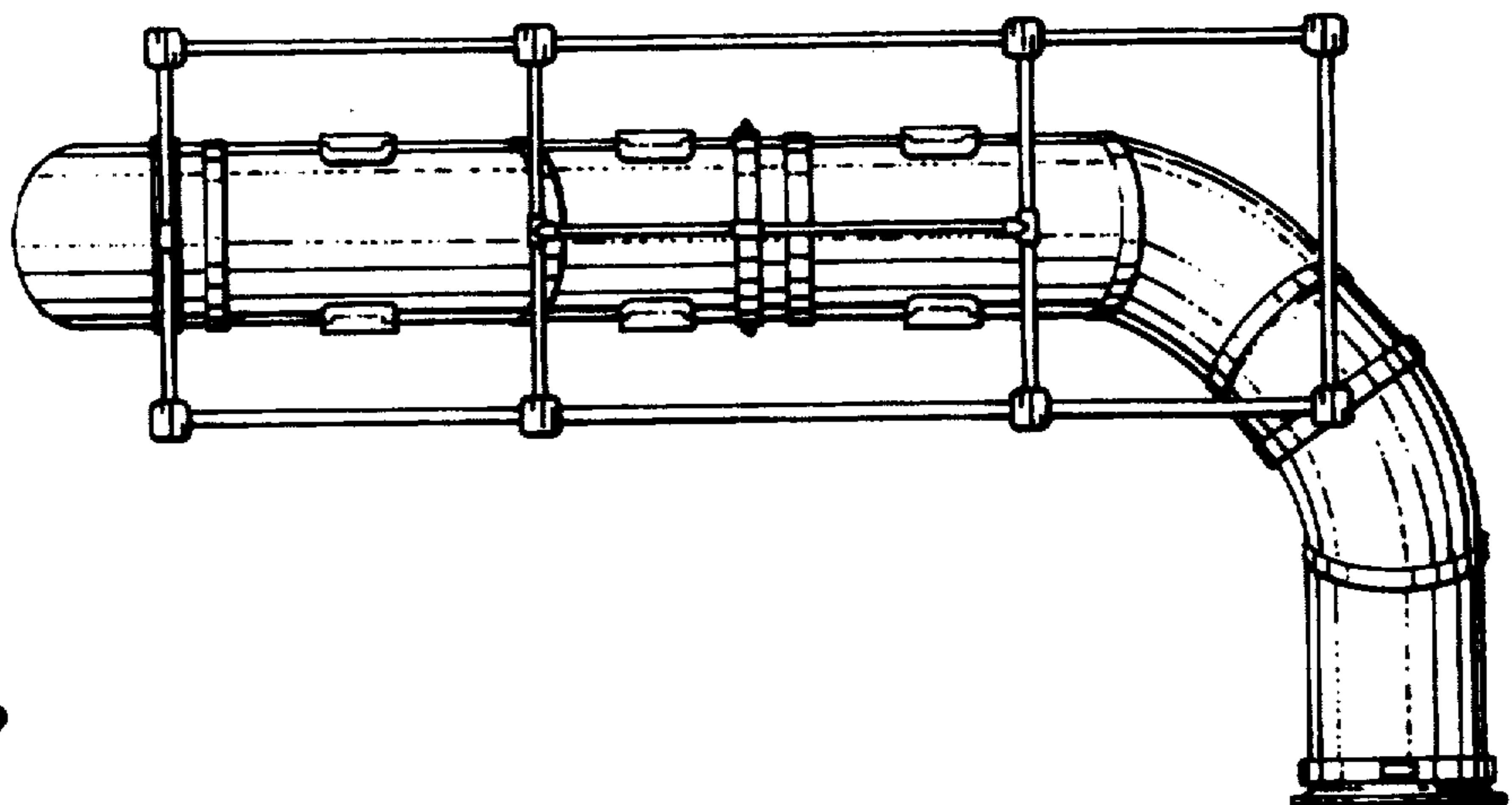




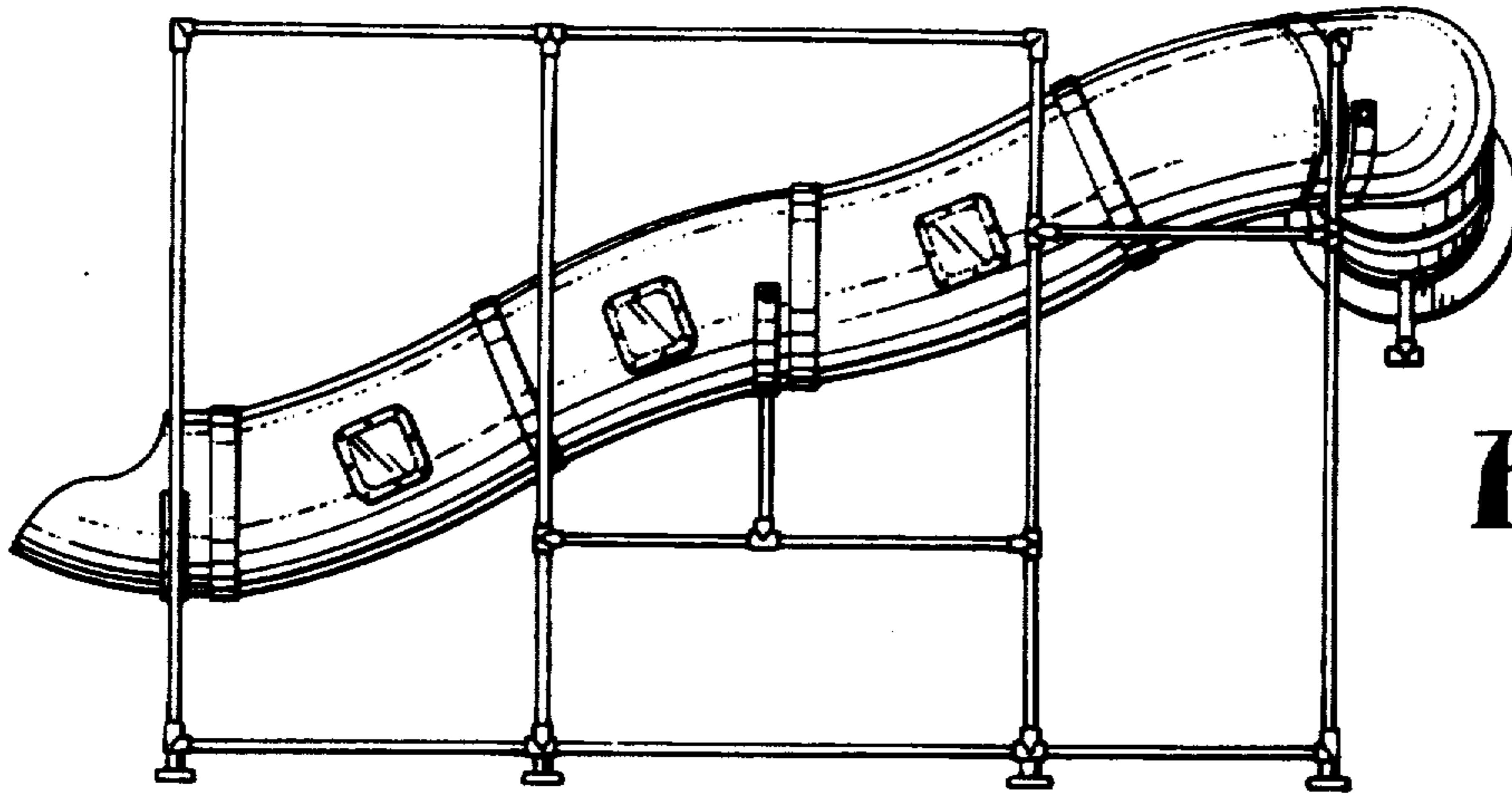
*Fig. 1.*



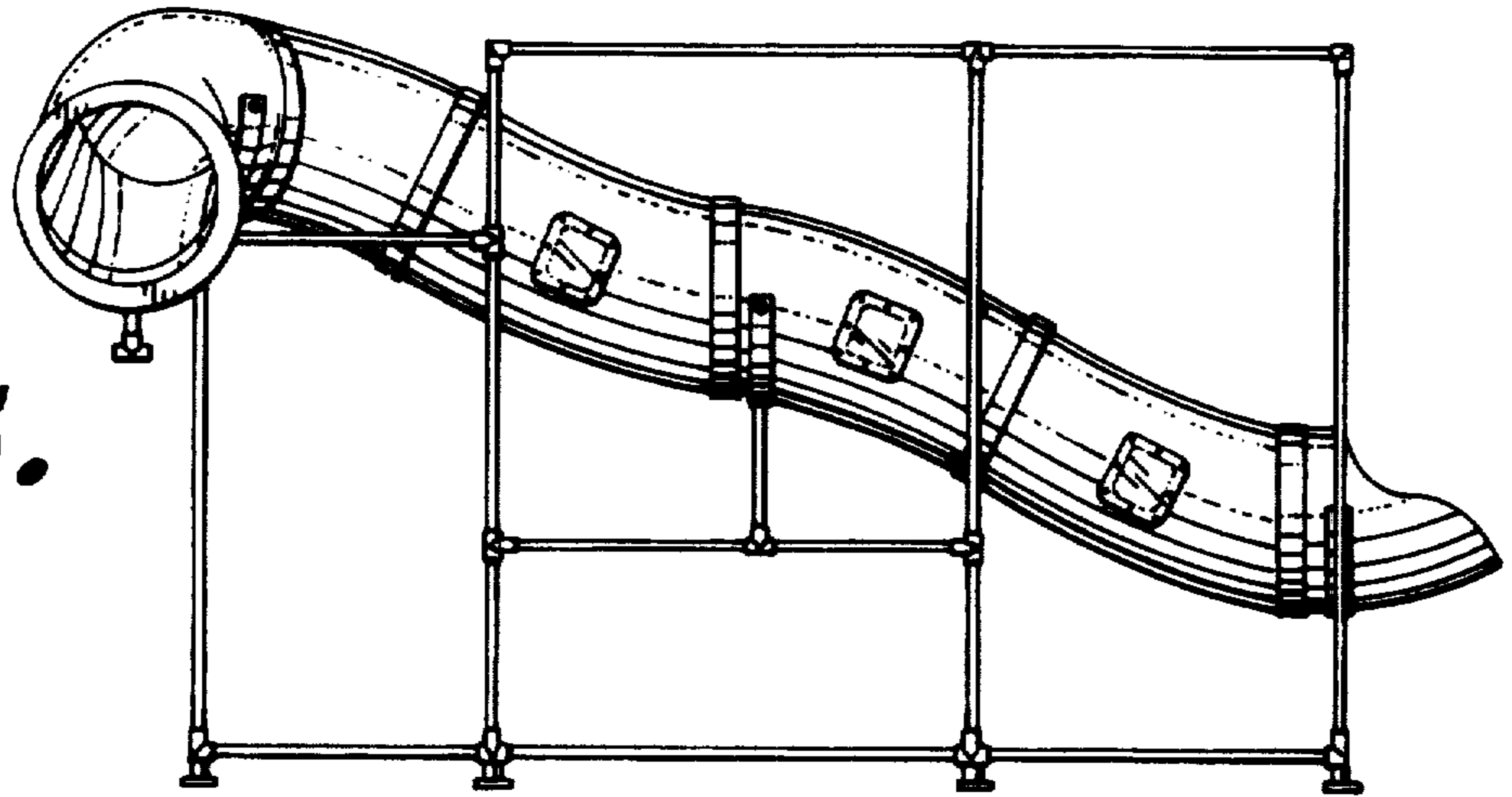
*Fig. 2.*



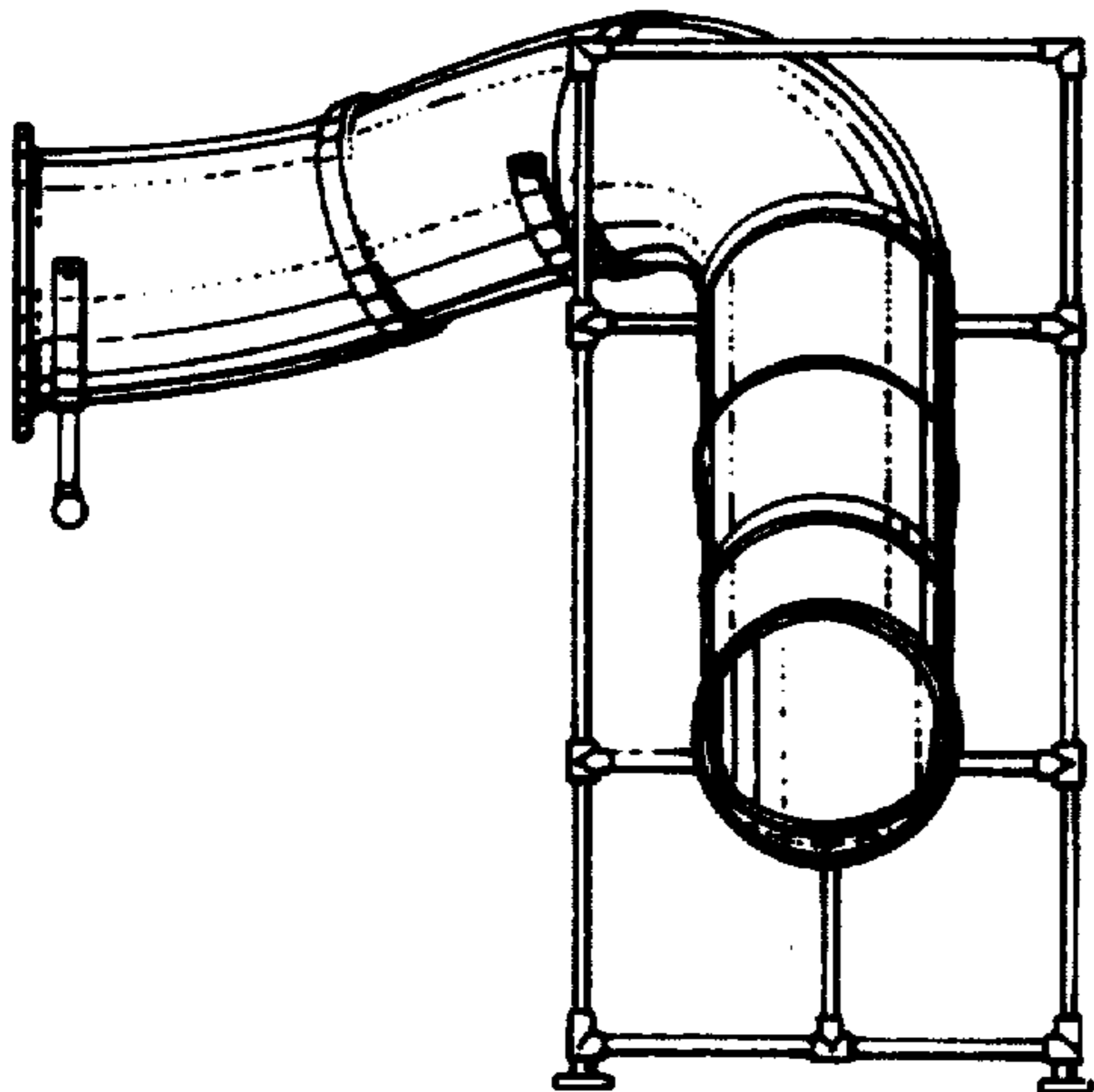
*Fig. 3.*



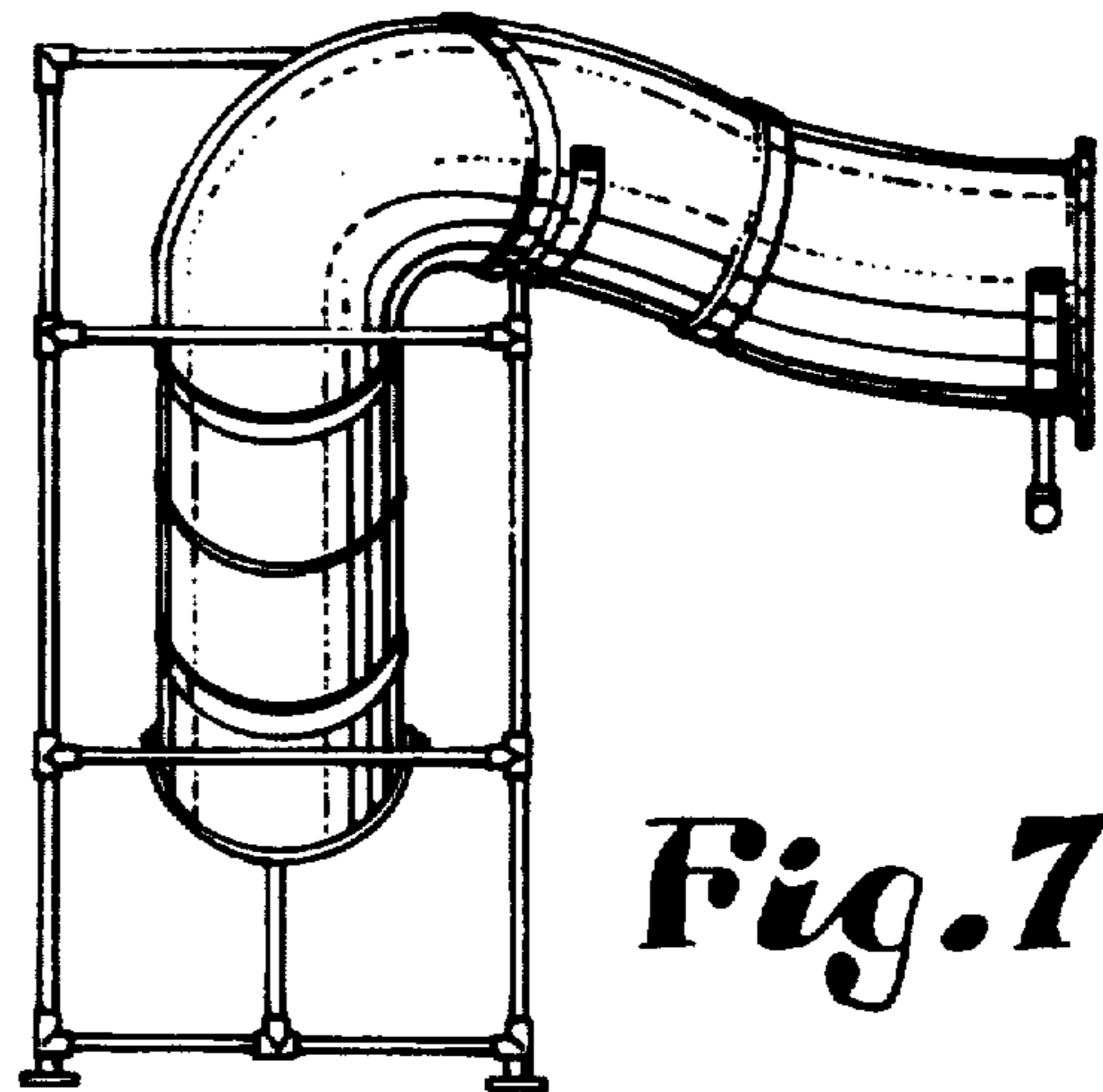
*Fig. 4.*



*Fig. 5.*



*Fig. 6.*



*Fig. 7.*