



US00D328114S

United States Patent [19]
Antionious

[11] **Patent Number: Des. 328,114**

[45] **Date of Patent: ** Jul. 21, 1992**

[54] **PUTTER GOLF CLUB HEAD**

[76] **Inventor: Anthony J. Antonious, 205 E. Joppa Rd., Towson, Md. 21204**

[**] **Term: 14 Years**

[21] **Appl. No.: 463,976**

[22] **Filed: Jan. 12, 1990**

[52] **U.S. Cl. D21/217**

[58] **Field of Search D21/214-220;
273/164, 167-175**

[56] **References Cited**

U.S. PATENT DOCUMENTS

D. 164,597	9/1951	Penna	D21/220
D. 297,445	8/1988	Shearer	D21/219
D. 319,858	9/1991	Antonious	D21/220
D. 321,232	10/1991	Antonious	D21/217
1,530,952	3/1925	Lawton	273/164

OTHER PUBLICATIONS

Golf Digest, Dec. 10, 1965, bottom, Ping putters.

Primary Examiner—Melvin B. Feifer
Attorney, Agent, or Firm—Nicholas J. Aquilino

[57] **CLAIM**

The ornamental design for a putter golf club head, as shown and described.

DESCRIPTION

FIG. 1 is a rear perspective view of the putter golf club head showing my new design;
FIG. 2 is a top plan view thereof;
FIG. 3 is a rear elevational view thereof;
FIG. 4 is a front elevational view thereof;
FIG. 5 is a bottom view thereof;
FIG. 6 is an end elevational view thereof; and,
FIG. 7 is an end elevational view taken from the opposite end of FIG. 6.

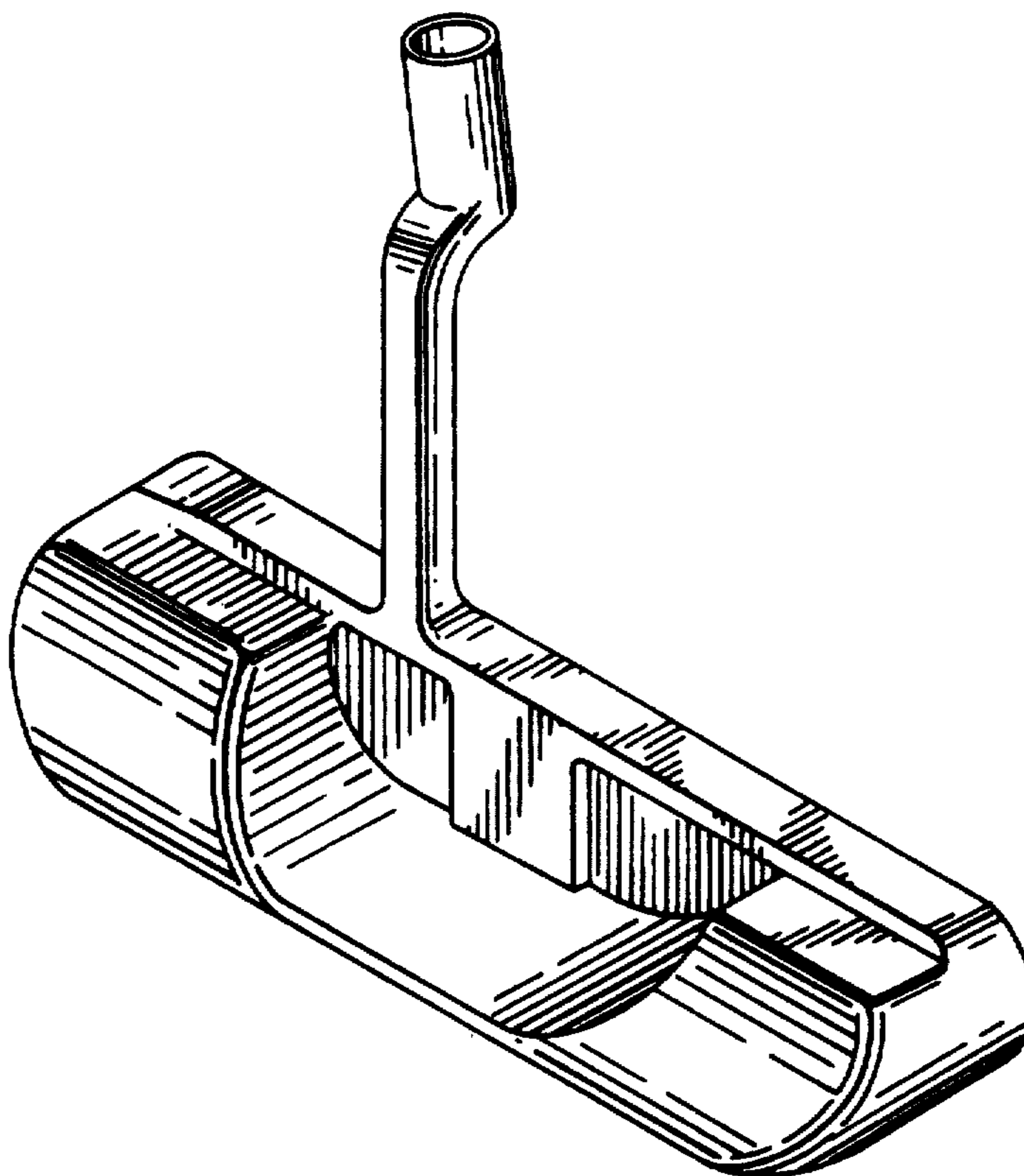


FIG. 1

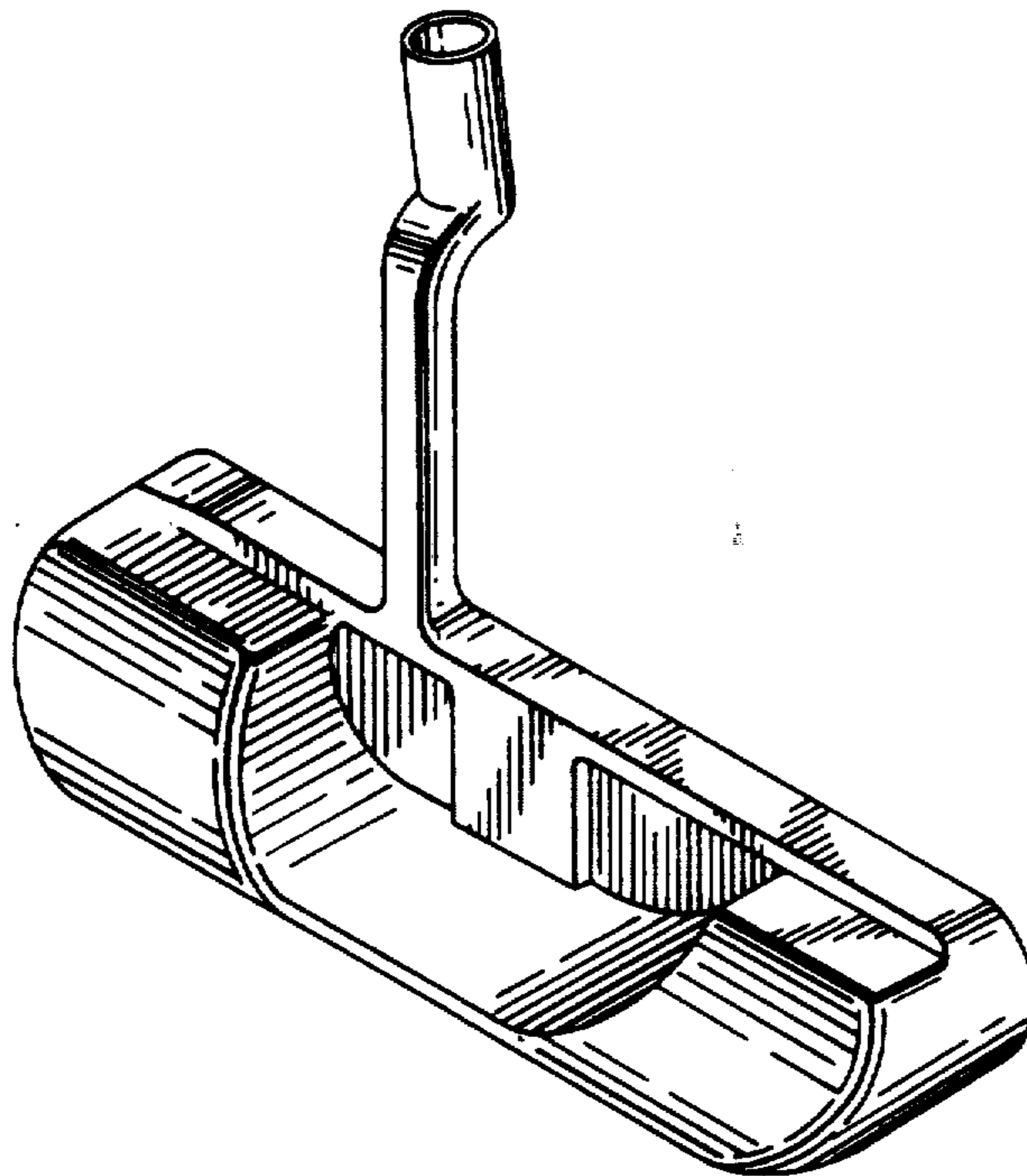


FIG. 2

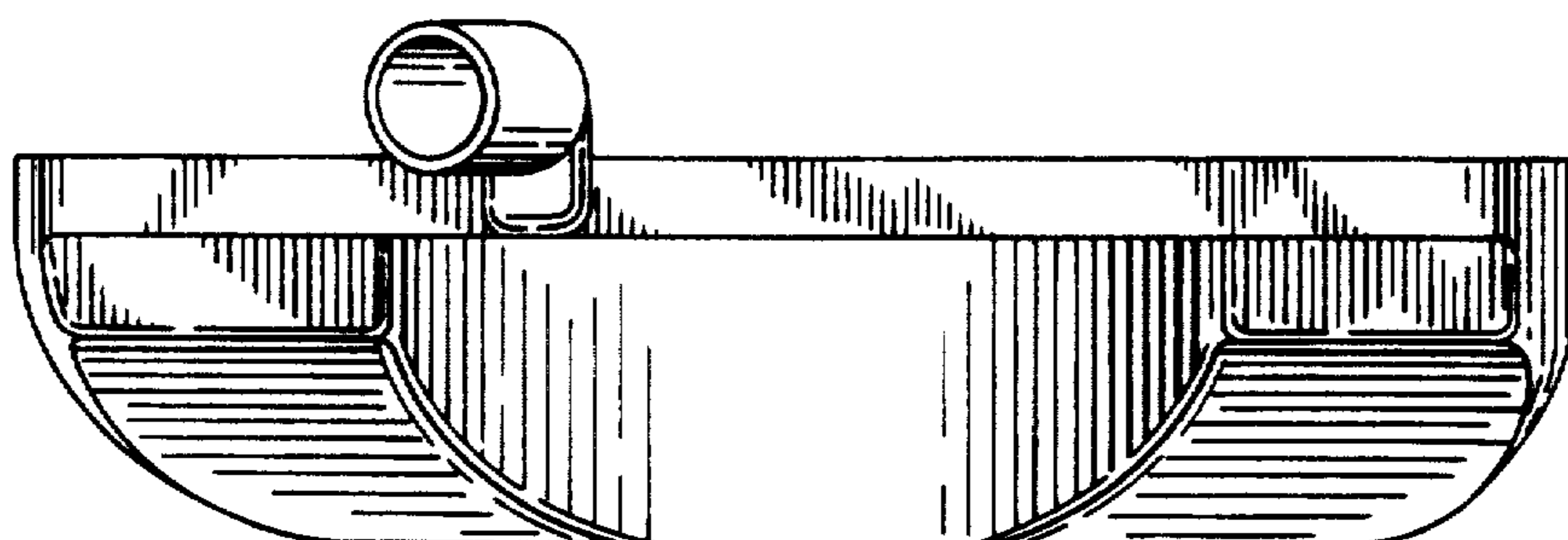


FIG. 3

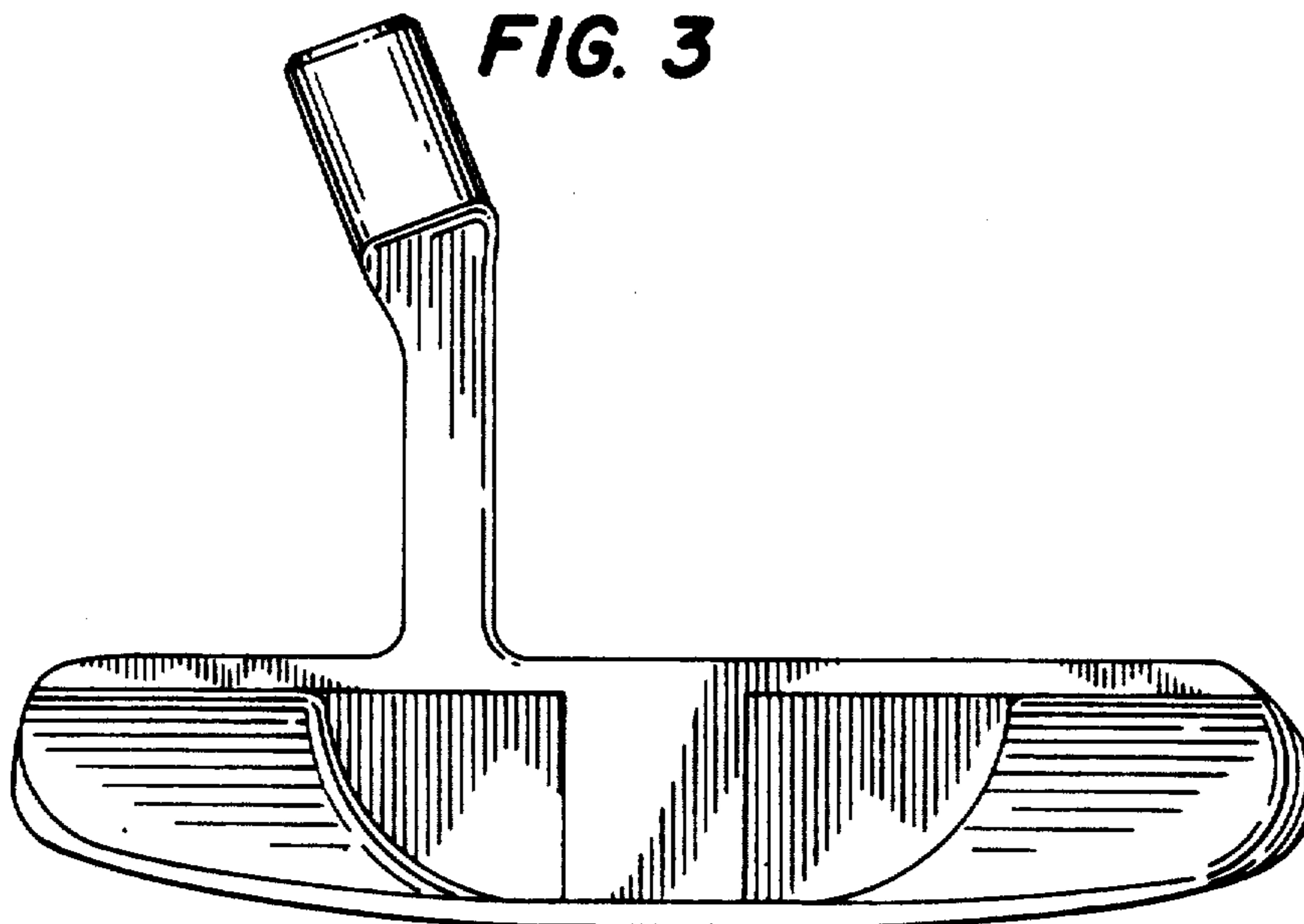


FIG. 4

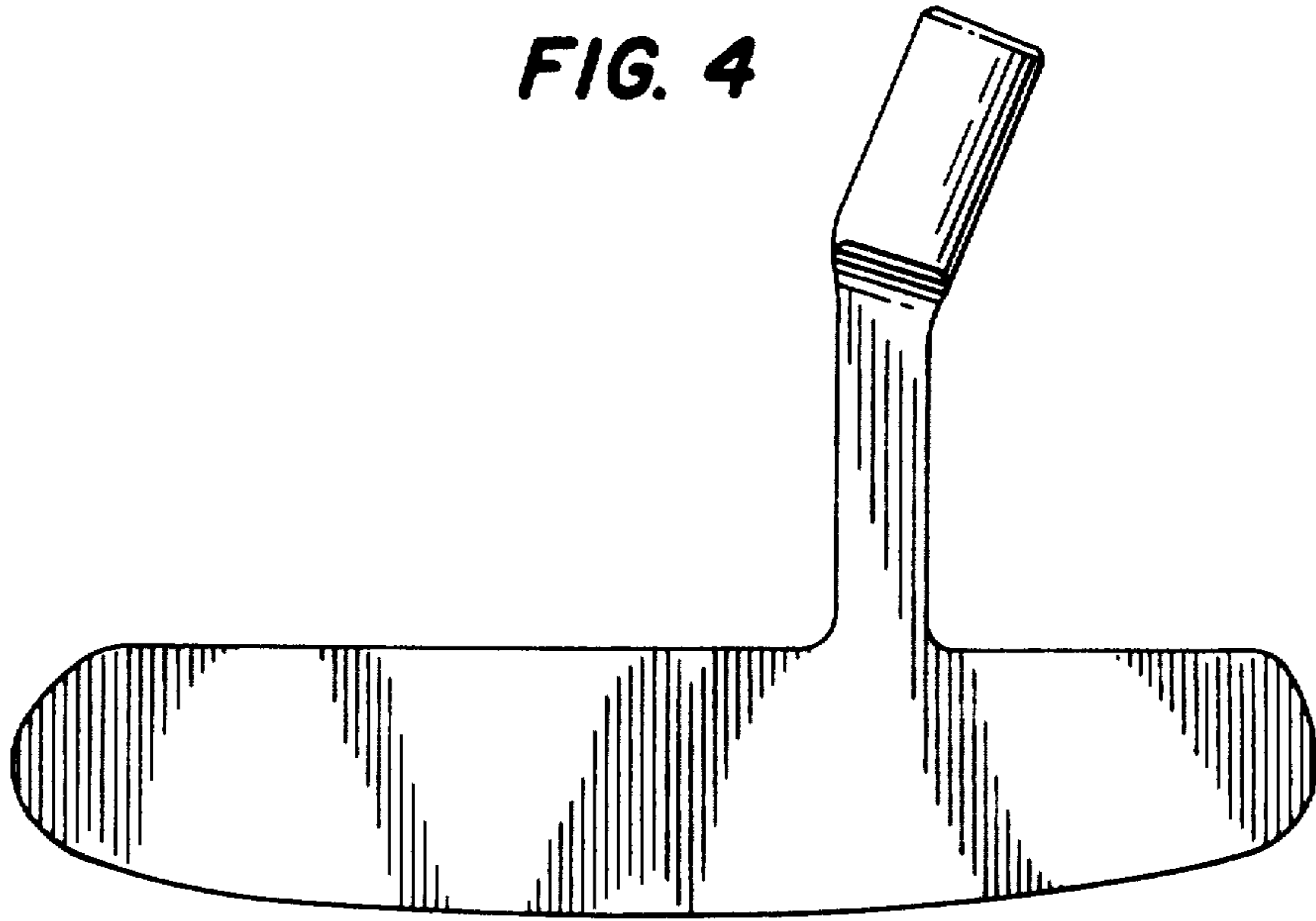


FIG. 5

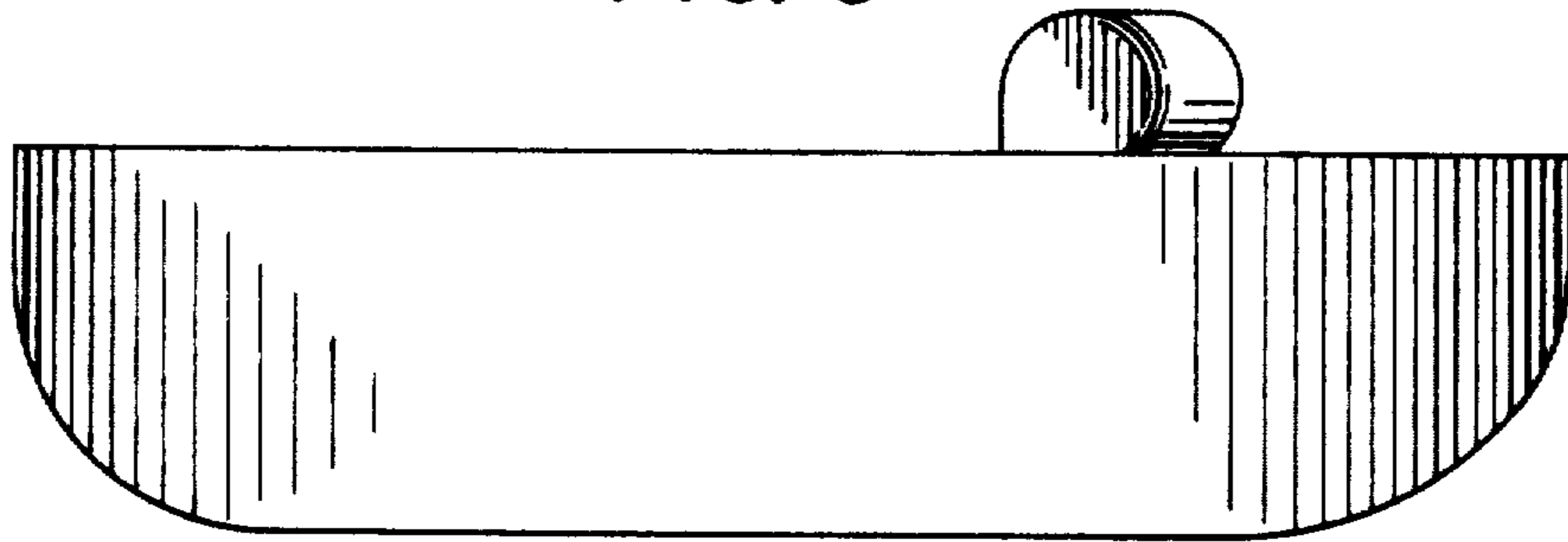


FIG. 6

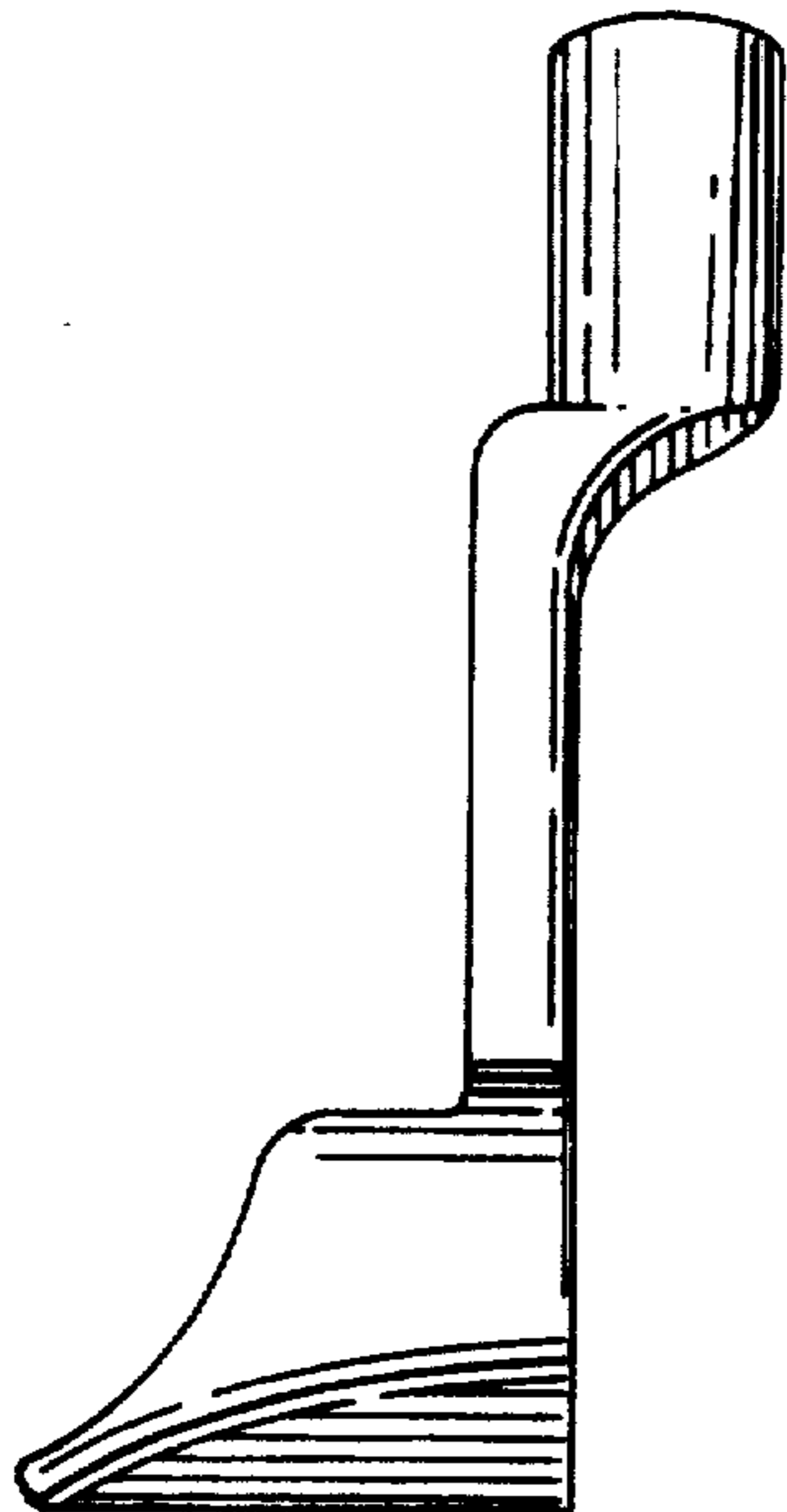


FIG. 7

