



US00D328109S

United States Patent [19] Brunner

[11] Patent Number: **Des. 328,109**

[45] Date of Patent: **** Jul. 21, 1992**

- [54] **BUBBLE WAND OR THE LIKE**
- [76] Inventor: **Donald A. Brunner, 2073 Kratz Station Rd., Harleysville, Pa. 19438**
- [**] Term: **14 Years**
- [21] Appl. No.: **509,146**
- [22] Filed: **Apr. 3, 1990**
- [52] U.S. Cl. **D21/61; D21/185**
- [58] Field of Search **D21/61, 59, 185; 446/15, 16, 18, 20, 21, 24**

- D. 263,062 2/1982 Rasmussen D21/61
- D. 288,106 2/1987 Dotson D21/185

OTHER PUBLICATIONS

Steven Toy Catalog—1909, p. 4, #721 Magic "Lightning Bug".

Primary Examiner—Charles A. Rademaker

[57] CLAIM

The ornamental design for a bubble wand or the like, as shown and described.

DESCRIPTION

FIG. 1 is a side perspective view of a bubble wand or the like showing my new design;

FIG. 2 is a front elevational view thereof;

FIG. 3 is a left side elevational view thereof;

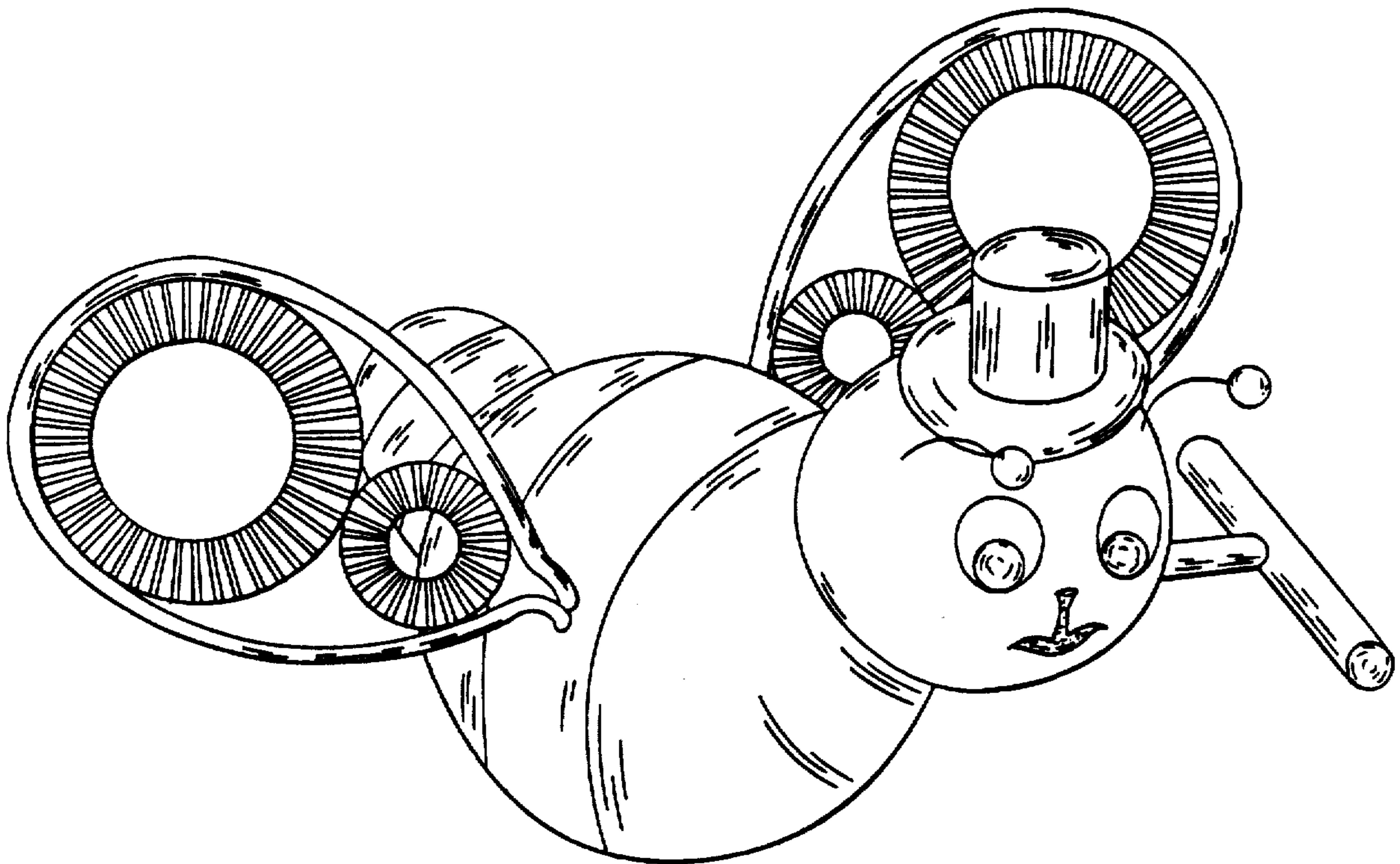
FIG. 4 is a right side elevational view thereof;

FIG. 5 is a rear elevational view thereof;

FIG. 6 is a top plan view thereof; and,

FIG. 7 is a bottom plan view thereof.

- [56] **References Cited**
- U.S. PATENT DOCUMENTS**
- D. 163,551 6/1951 Seyfarth D21/185
 - D. 173,968 2/1955 Raines D21/185
 - D. 211,652 7/1968 Dunbar D21/185
 - D. 216,820 3/1970 Dunbar D21/185
 - D. 235,030 4/1975 Ziff D21/61
 - D. 241,459 9/1976 Versten D21/185



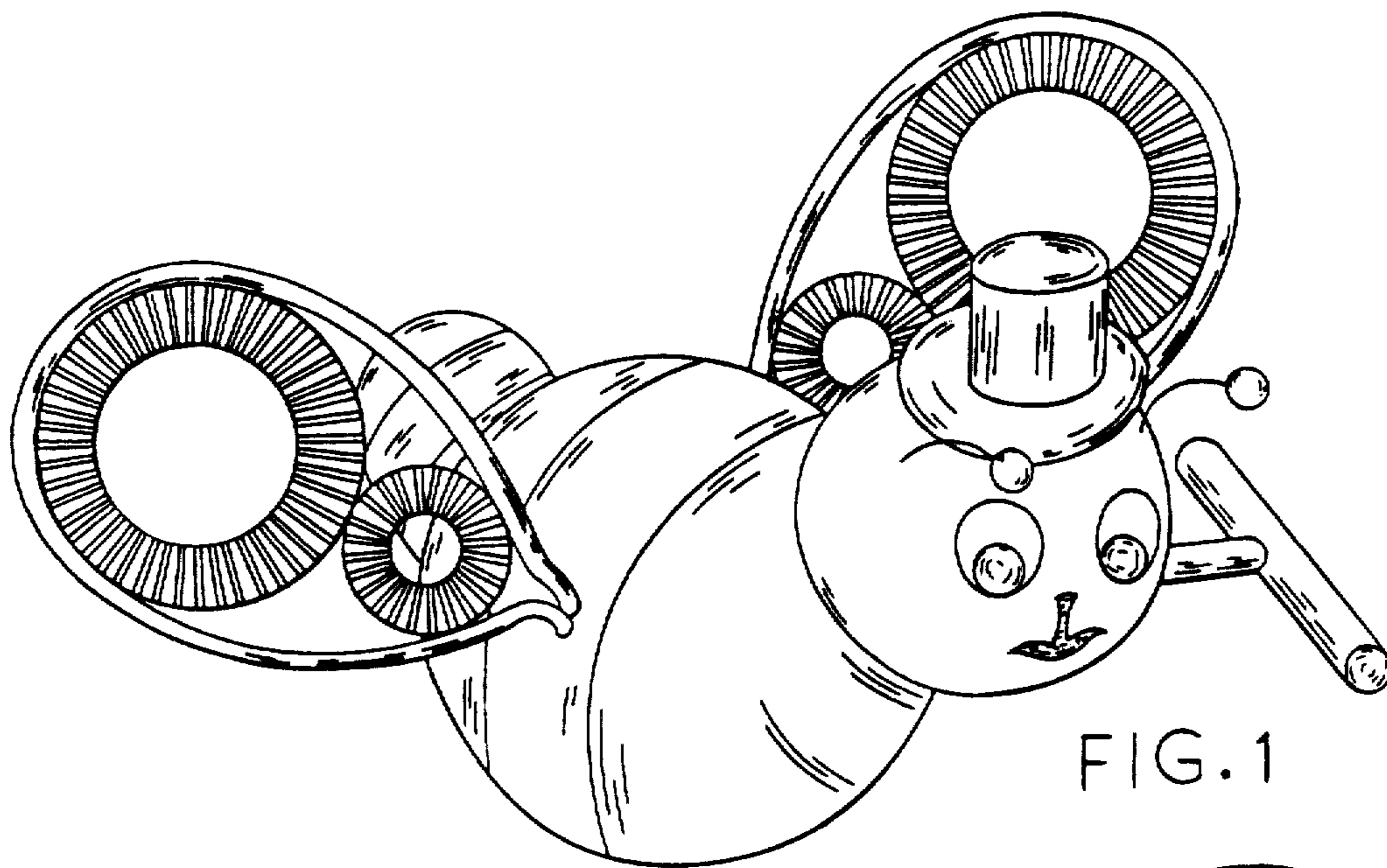


FIG. 1

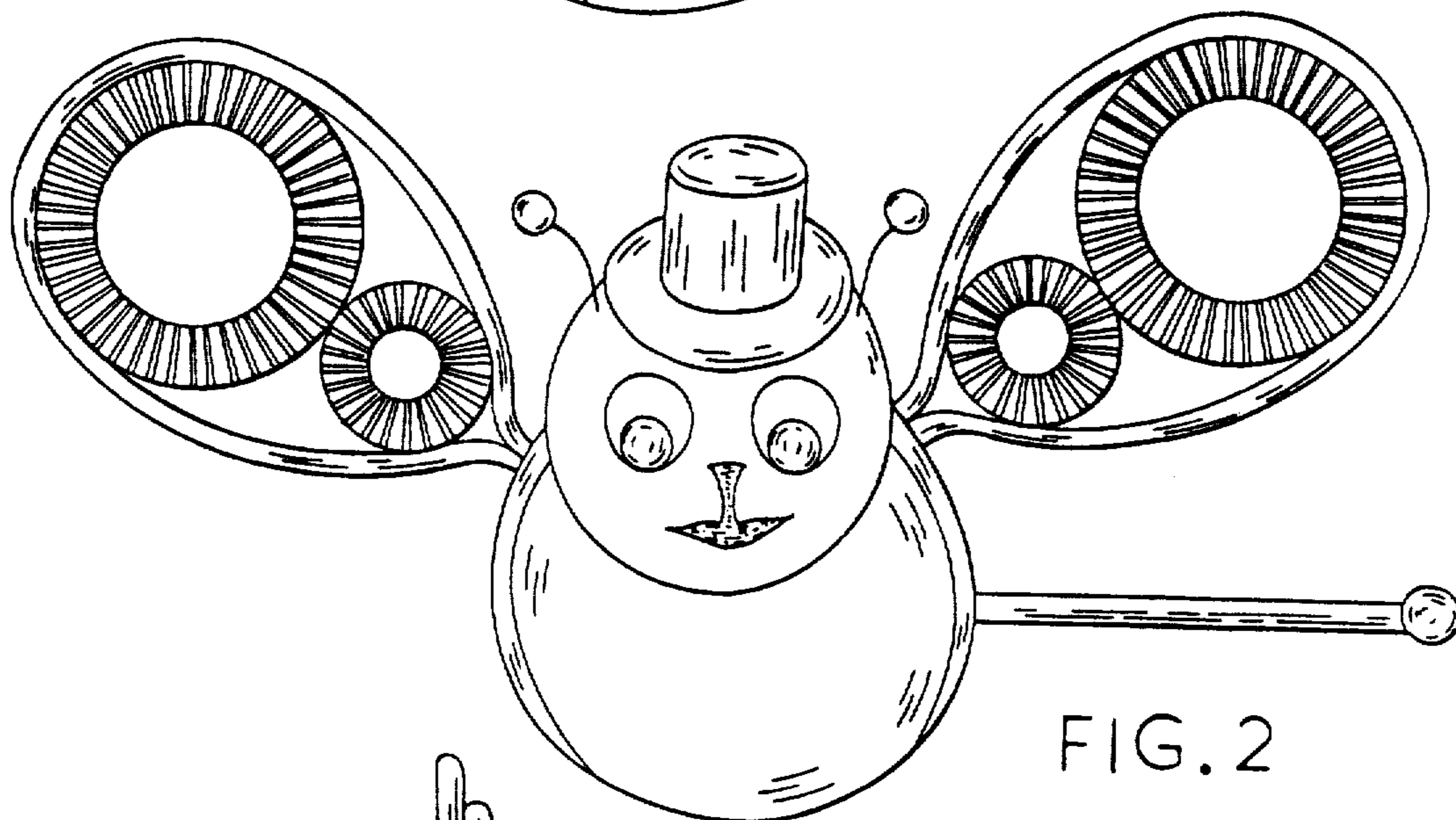


FIG. 2

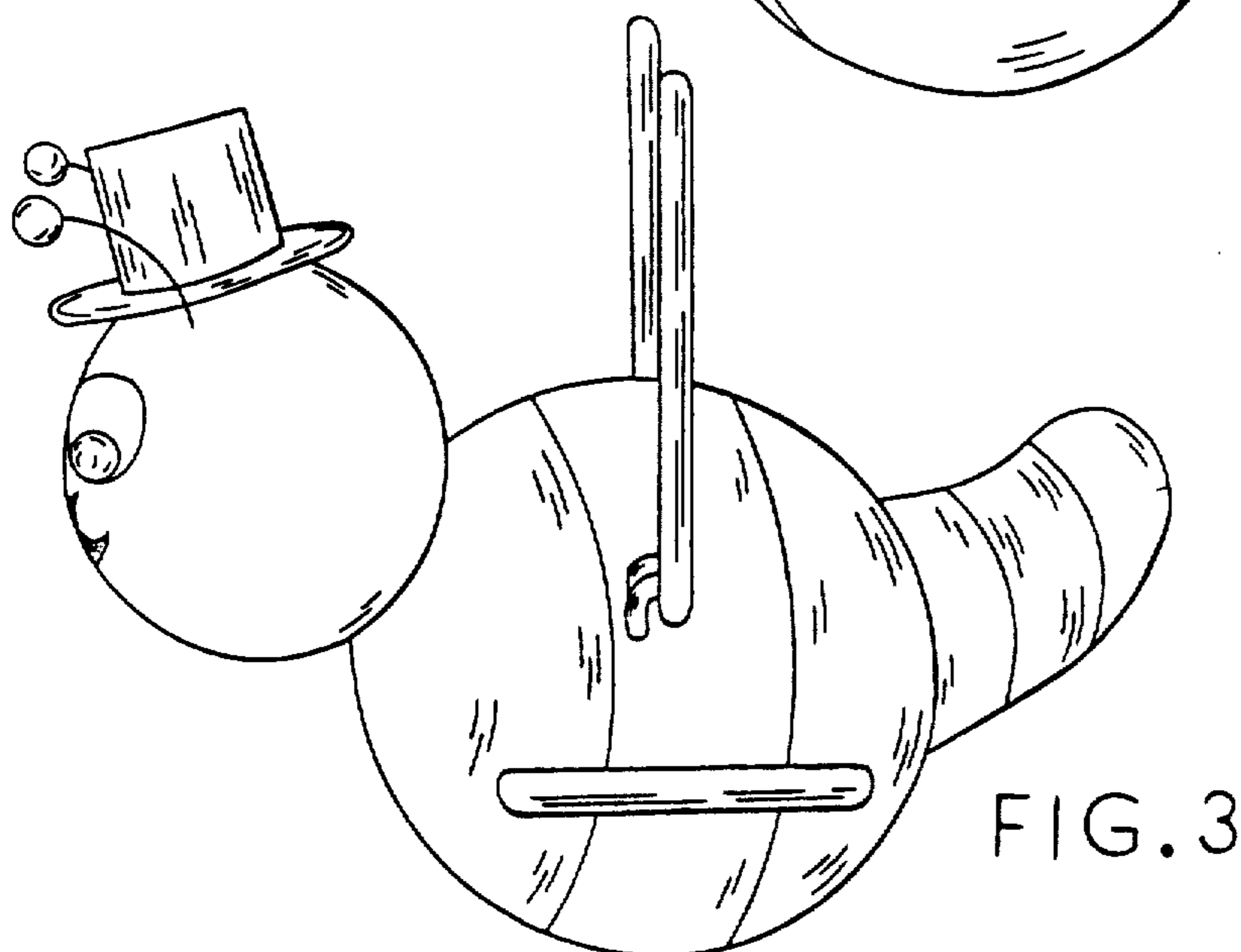


FIG. 3

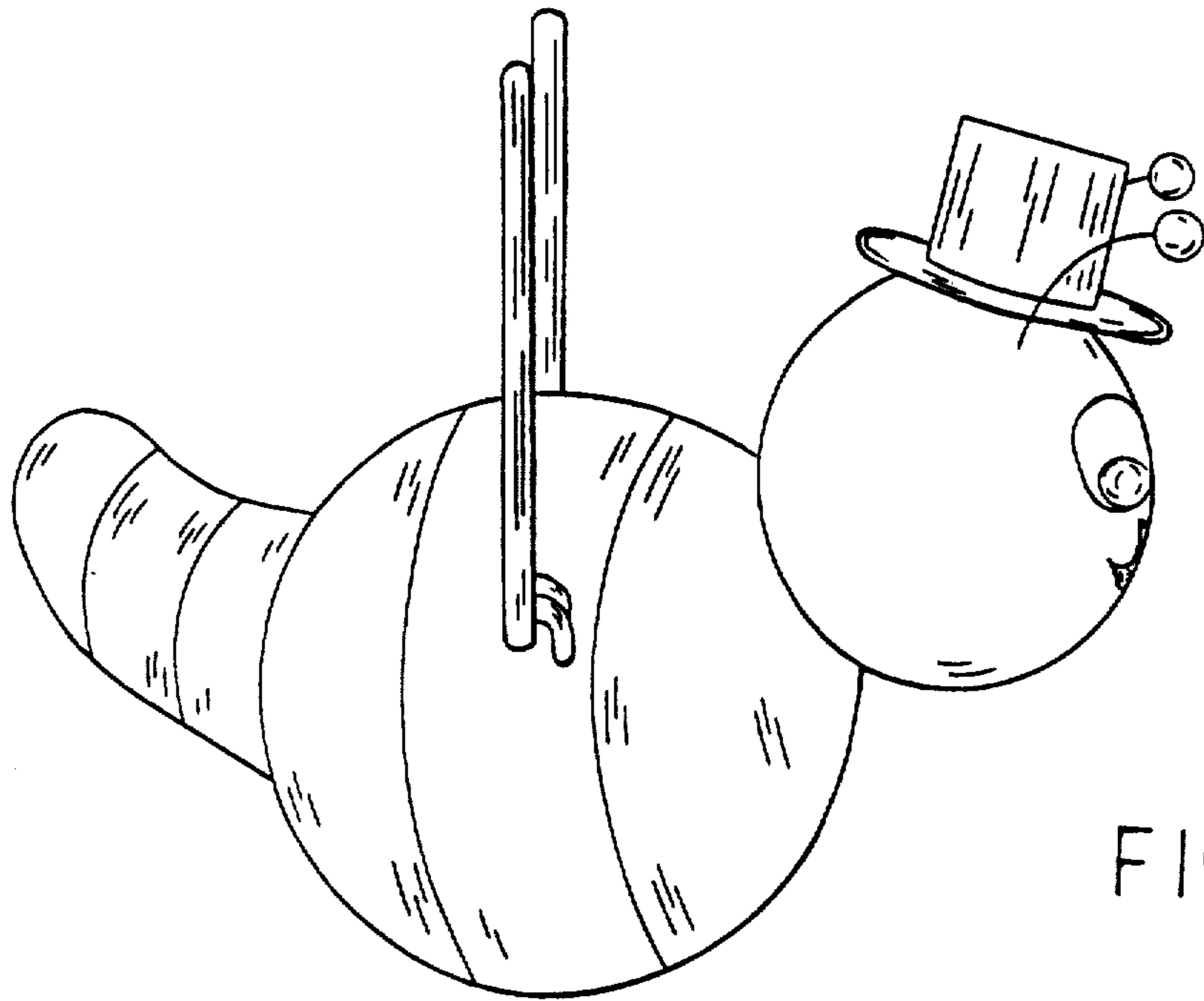


FIG. 4

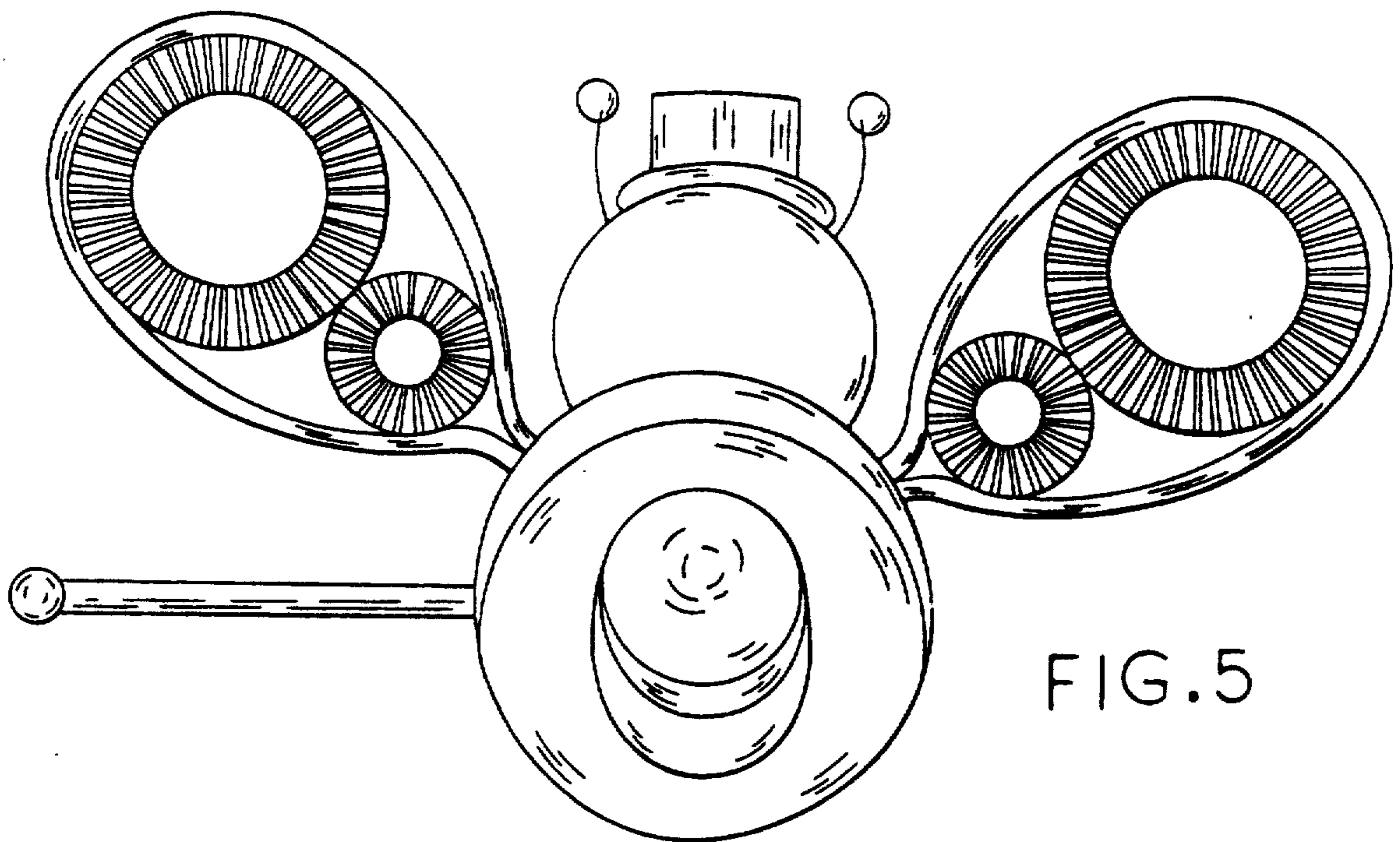


FIG. 5

