



US00D328105S

# United States Patent [19]

[11] Patent Number: **Des. 328,105**

**Breen et al.**

[45] Date of Patent: **\*\* Jul. 21, 1992**

[54] **DESK PAD CORNER**

2,098,863 11/1937 Elliott ..... D19/95 X  
4,529,226 7/1985 Weinman ..... D19/95 X

[75] Inventors: **John D. Breen, Wooster; David L. Hunt, Cincinnati, both of Ohio**

**OTHER PUBLICATIONS**

[73] Assignee: **Rubbermaid Incorporated, Wooster, Ohio**

Pages 4 and 22, McDonald Products Corp., 2685 Walden Avenue, Buffalo, New York 14225. Publication date unknown.

[\*\*] Term: **14 Years**

Catalog page, Park Sherman, a Division of Ketcham & McDougall Inc., 465 Eagle Rock Avenue, Roseland, N.J. 07068. Publication date 1987-1988.

[21] Appl. No.: **576,931**

Pages 3 and 25, Eldon Office Products, P.O. Box 22667, Long Beach, Calif. 90801-5667. Publication date Jan. 1, 1990.

[22] Filed: **Sep. 4, 1990**

[52] U.S. Cl. .... **D19/99; D19/65; D19/86; D19/92; D19/95**

[58] Field of Search ..... **D19/65, 75, 77, 78, D19/81-85, 86, 92, 95, 99, 100; 206/214, 371; 40/358; 211/11, 69.1-69.9, 126; 281/15 B**

*Primary Examiner*—Donald P. Walsh  
*Assistant Examiner*—Martha Thompson  
*Attorney, Agent, or Firm*—Richard B. O'Planick

[56] **References Cited**

[57] **CLAIM**

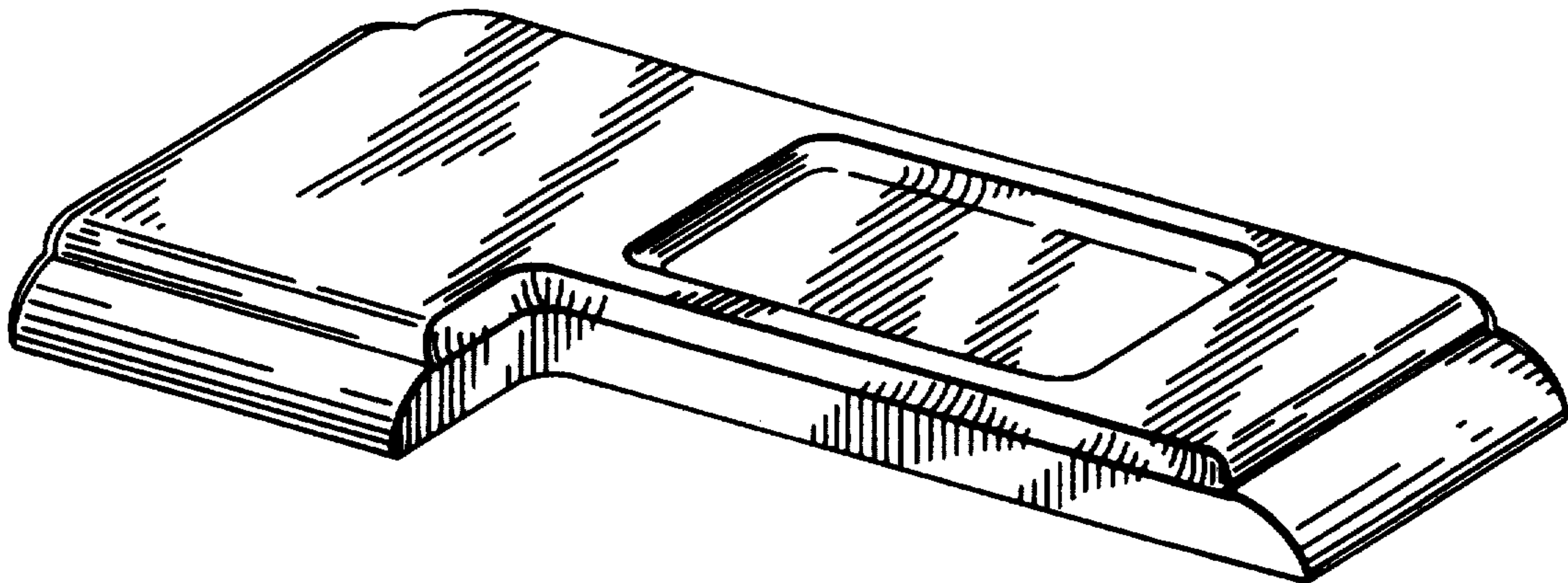
**U.S. PATENT DOCUMENTS**

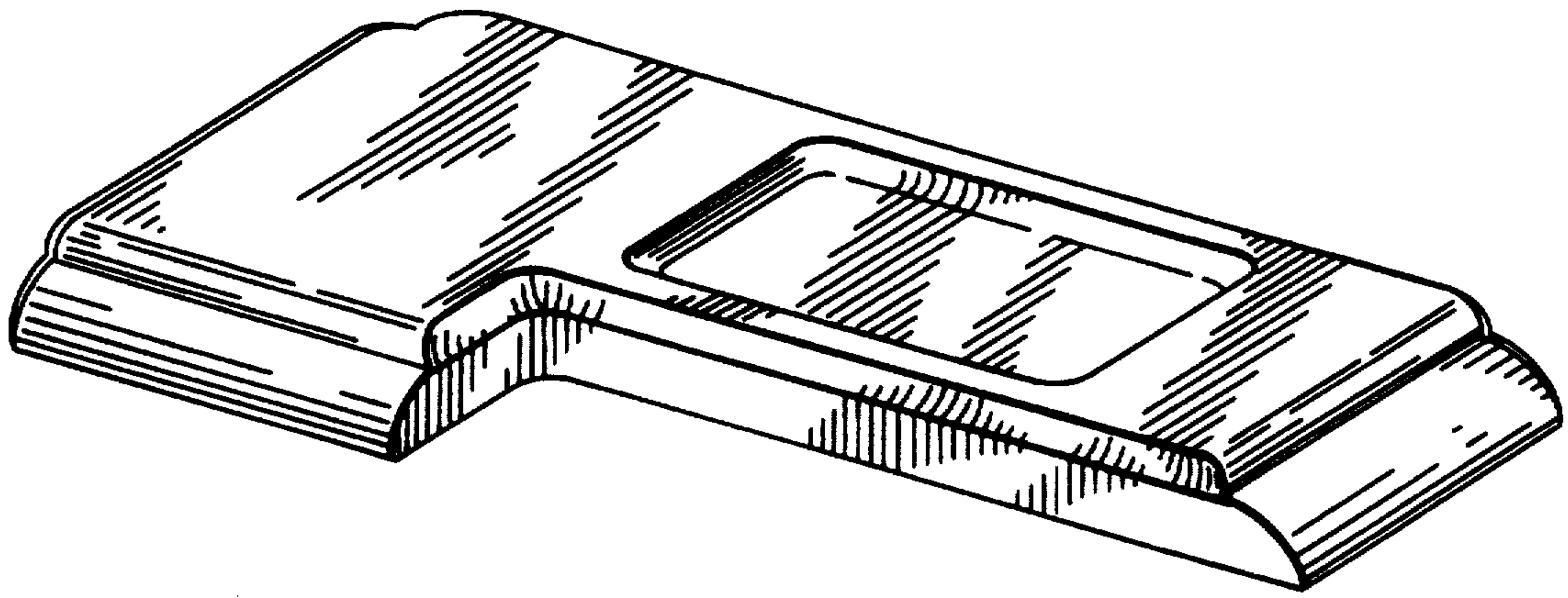
The ornamental design for a desk pad corner header, as shown and described.

D. 29,253	8/1898	Brower	.....	D19/95 X
D. 60,006	12/1921	Adams	.....	D19/95 X
D. 108,024	1/1938	Stone	.....	D19/95 X
D. 158,616	5/1950	Rigby	.....	D19/95 X
D. 220,004	2/1971	Lask	.....	D19/92
D. 232,935	9/1974	Stahel, III	.....	D19/95
D. 245,783	9/1977	Fieni	.....	D19/77 X
D. 247,647	3/1978	Huber	.....	D19/77 X
D. 294,956	3/1988	Hagberg et al.	.....	D19/77
D. 811,334	1/1906	Smigel	.....	D19/95 X

**DESCRIPTION**

FIG. 1 is a top, left front perspective view of a desk pad corner header showing our new design; FIG. 2 is a right side elevational view; FIG. 3 is a top plan view thereof; FIG. 4 is a front elevational view thereof; FIG. 5 is a bottom plan view thereof; and, FIG. 6 is a rear elevational view thereof.

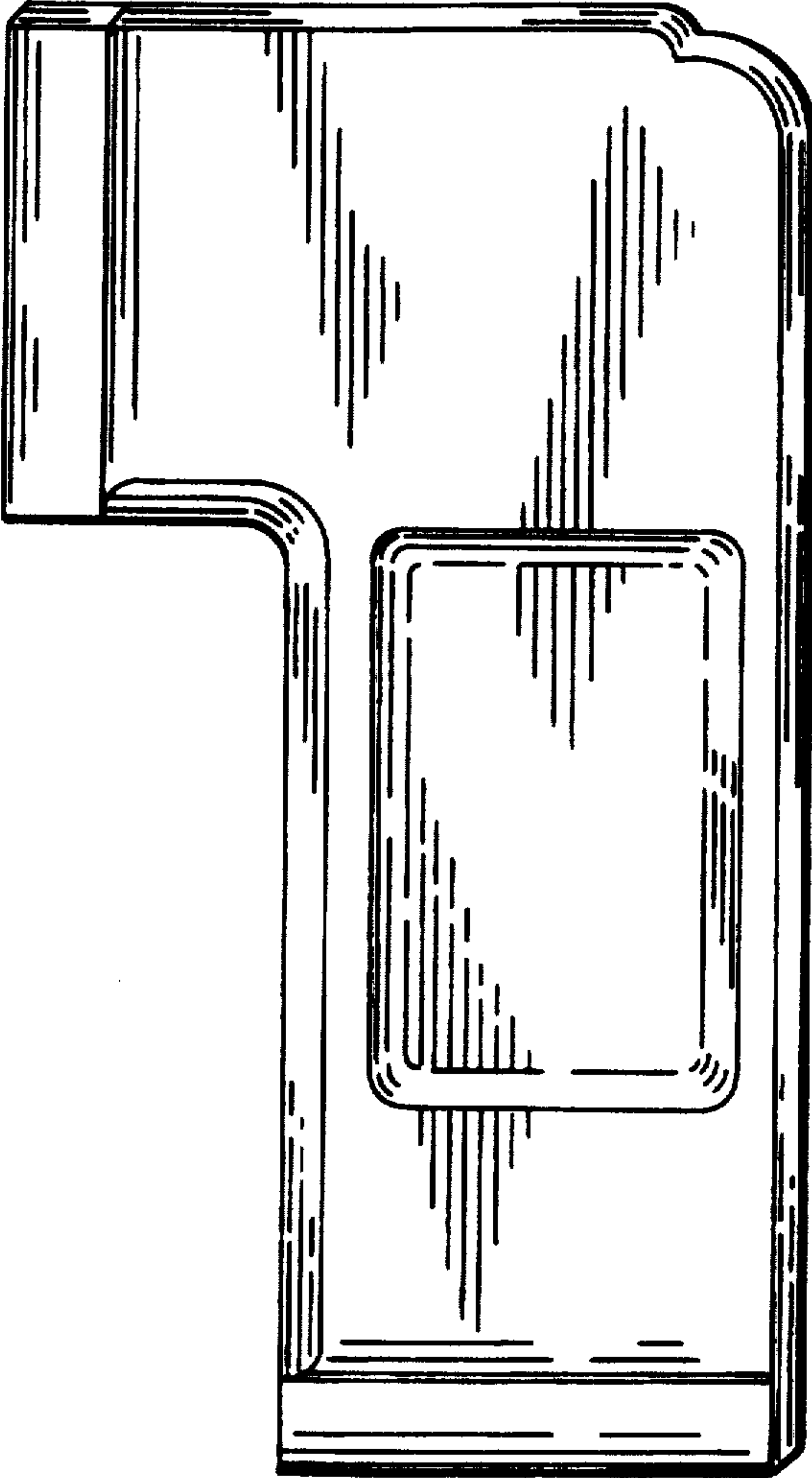




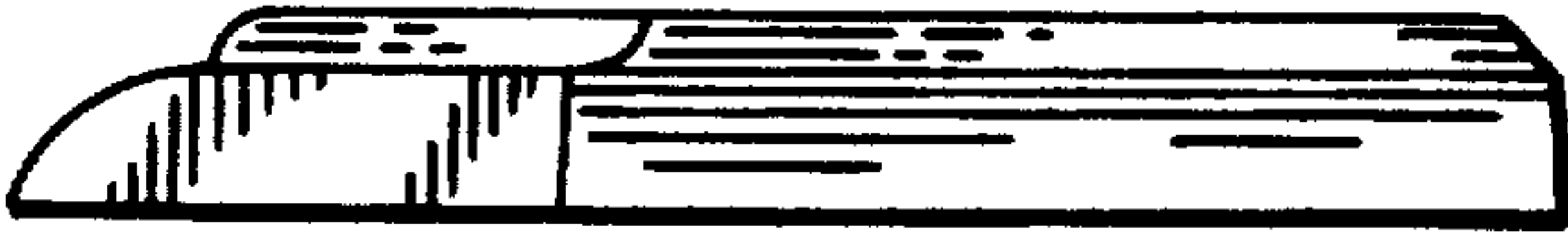
*FIG. 1*



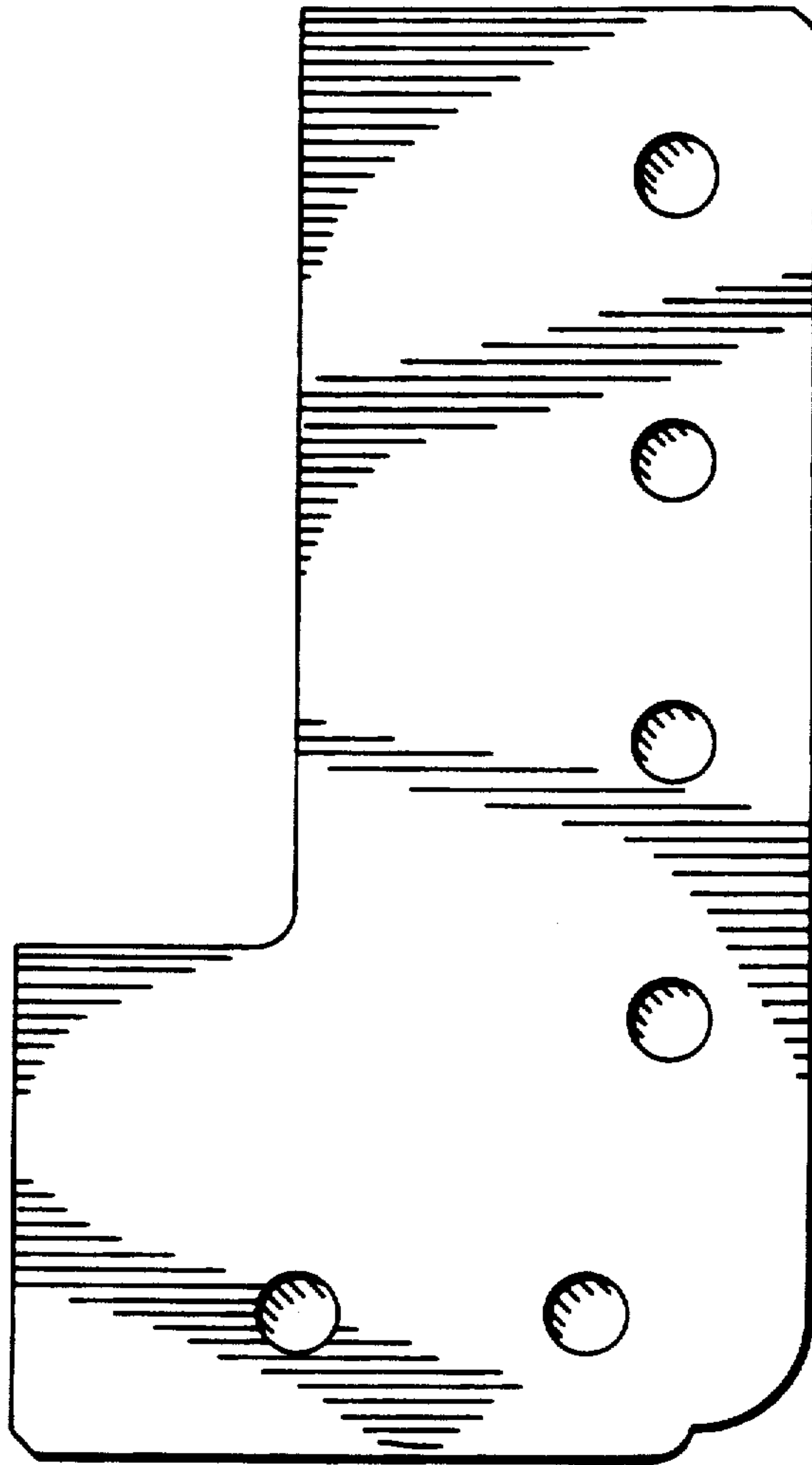
*FIG. 2*



**FIG. 3**



**FIG. 4**



*FIG. 5*



*FIG. 6*