



US00D328103S

United States Patent [19]

Ambasz

[11] Patent Number: **Des. 328,103**

[45] Date of Patent: **** Jul. 21, 1992**

- [54] **LETTER TRAY OR THE LIKE**
- [75] Inventor: **Emilio Ambasz, New York, N.Y.**
- [73] Assignee: **Westinghouse Electric Corp., Pittsburgh, Pa.**
- [**] Term: **14 Years**
- [21] Appl. No.: **560,892**
- [22] Filed: **Jul. 31, 1990**
- [52] U.S. Cl. **D19/92; D19/86; D19/95**
- [58] Field of Search **D7/550, 553, 555, 688; D19/65, 75, 78, 86, 91, 92, 95, 99, 100; 206/449, 555, 503, 215, 557; 211/11, 55, 10, 126, 128**

3,533,512 10/1970 Sherwer 211/126
 4,333,573 6/1982 Holoubek 211/11

OTHER PUBLICATIONS

Woodward and Lothrop, Autumn 1977, p. 42 see circled memo holder, lower left.

Primary Examiner—Donald P. Walsh
Assistant Examiner—Martha Thompson
Attorney, Agent, or Firm—L. A. DePaul

[56] **References Cited**
U.S. PATENT DOCUMENTS

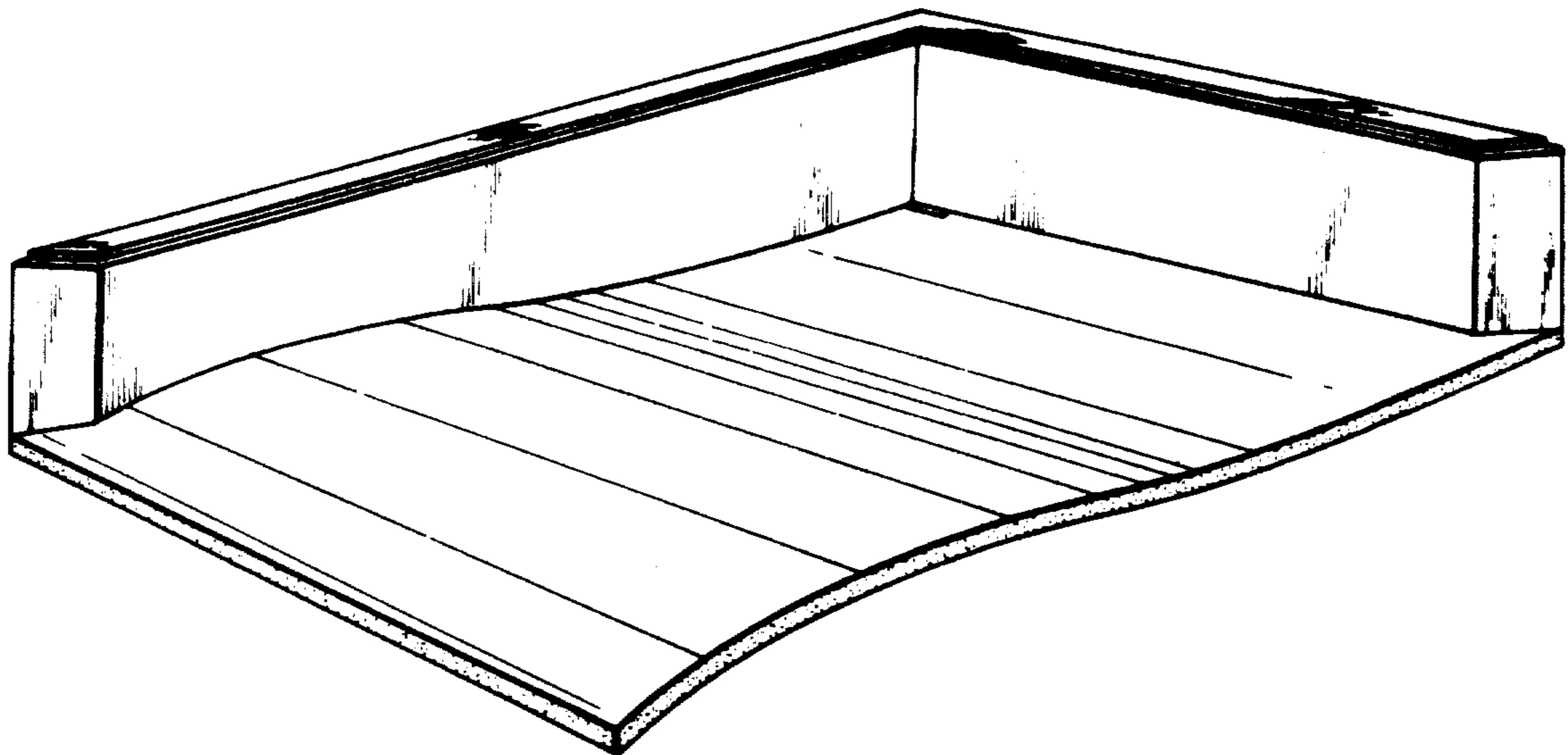
D. 137,950	5/1944	Howard	D19/92
D. 161,752	1/1951	Hart	D7/550
D. 171,758	3/1954	Henning et al.	D7/550 X
D. 201,732	7/1965	Bunn et al.	D19/92
D. 212,264	9/1968	Rome et al.	D19/92
D. 261,090	10/1981	Kapolas	D7/688
D. 289,253	4/1987	Super	D7/550 X

[57] CLAIM

The ornamental design for a letter tray or the like, as shown and described.

DESCRIPTION

FIG. 1 is a top, right front perspective view of a letter tray or the like showing my new design;
 FIG. 2 is a top plan view;
 FIG. 3 is a right side elevational view;
 FIG. 4 is a left side elevational view;
 FIG. 5 is a bottom plan view;
 FIG. 6 is a front elevational view; and,
 FIG. 7 is a rear elevational view thereof.
 The front and right side edges of the tray have been shaded to indicate color contrast.



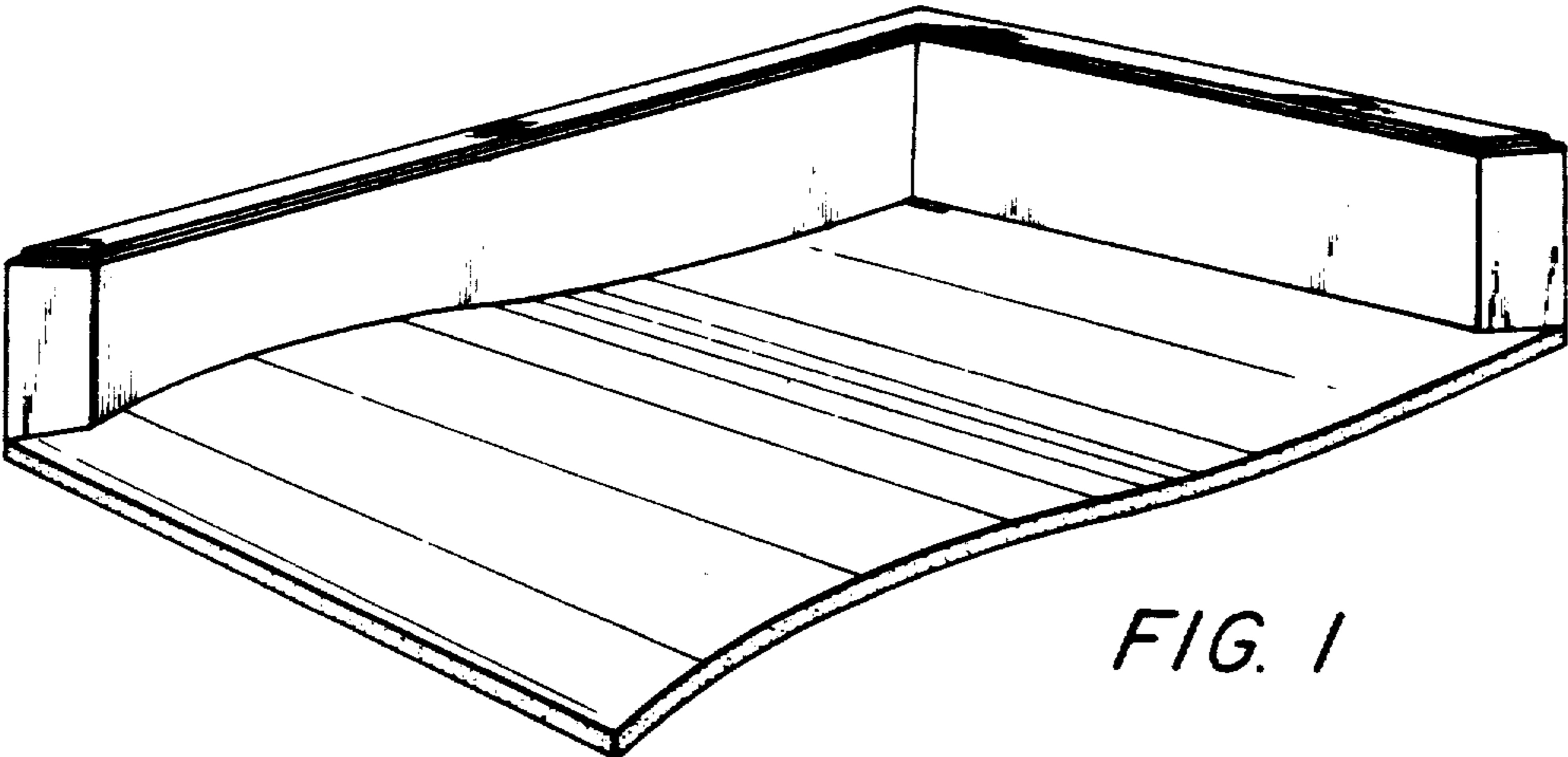


FIG. 1

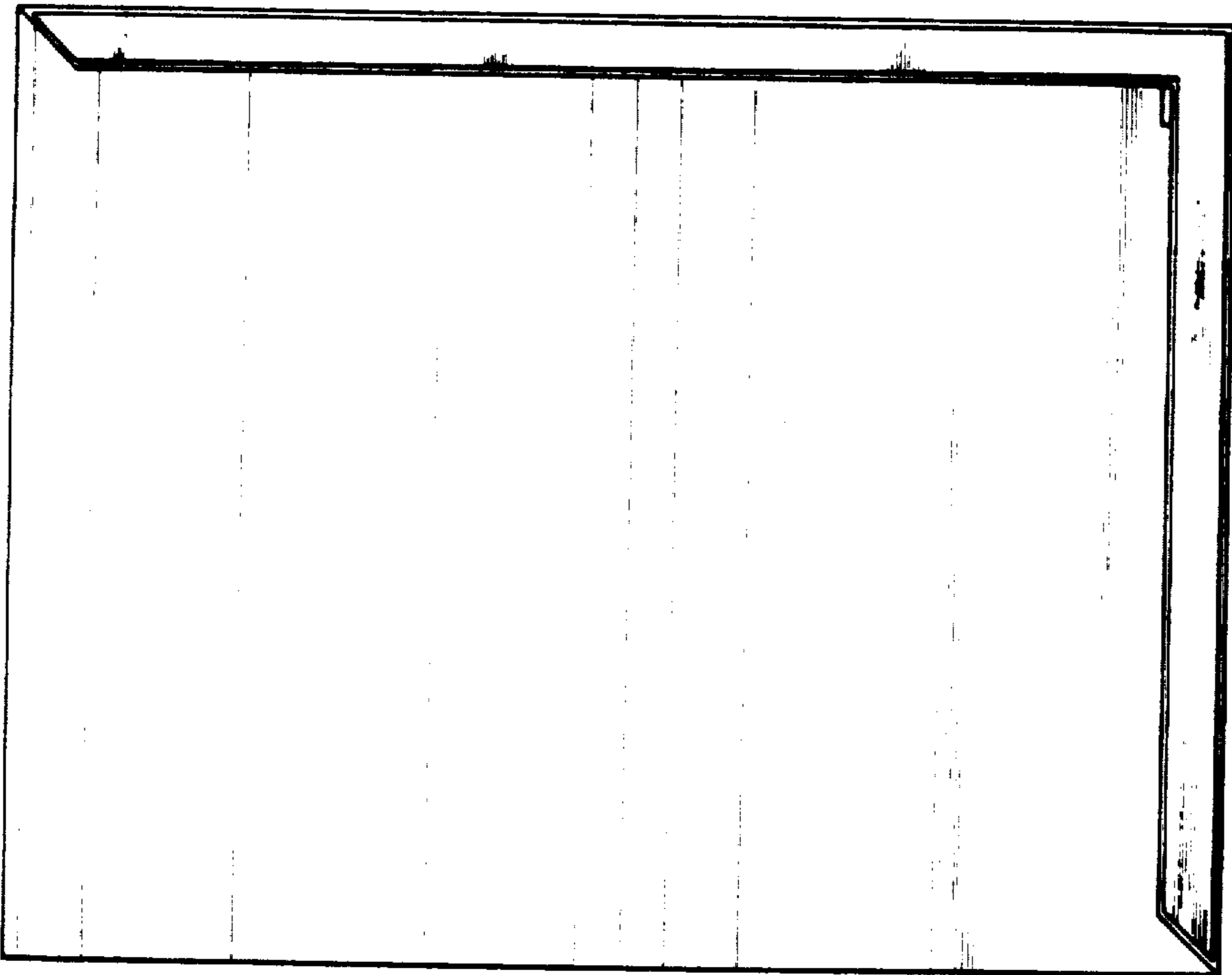


FIG. 2

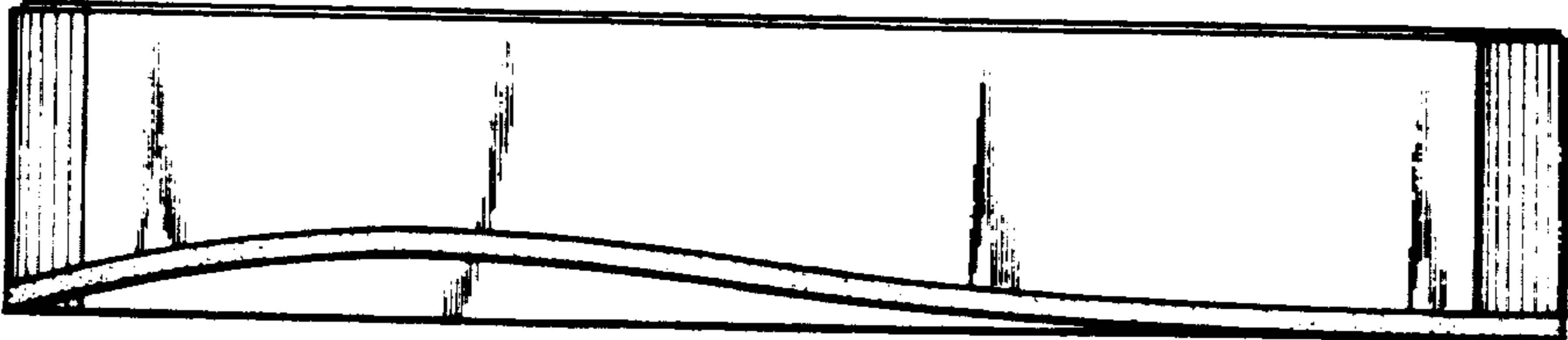


FIG. 3

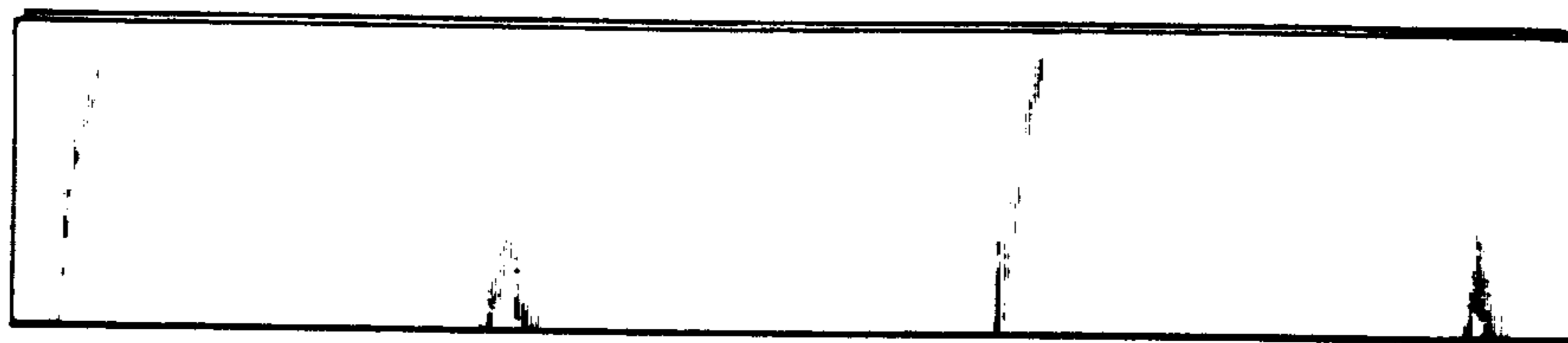


FIG. 4

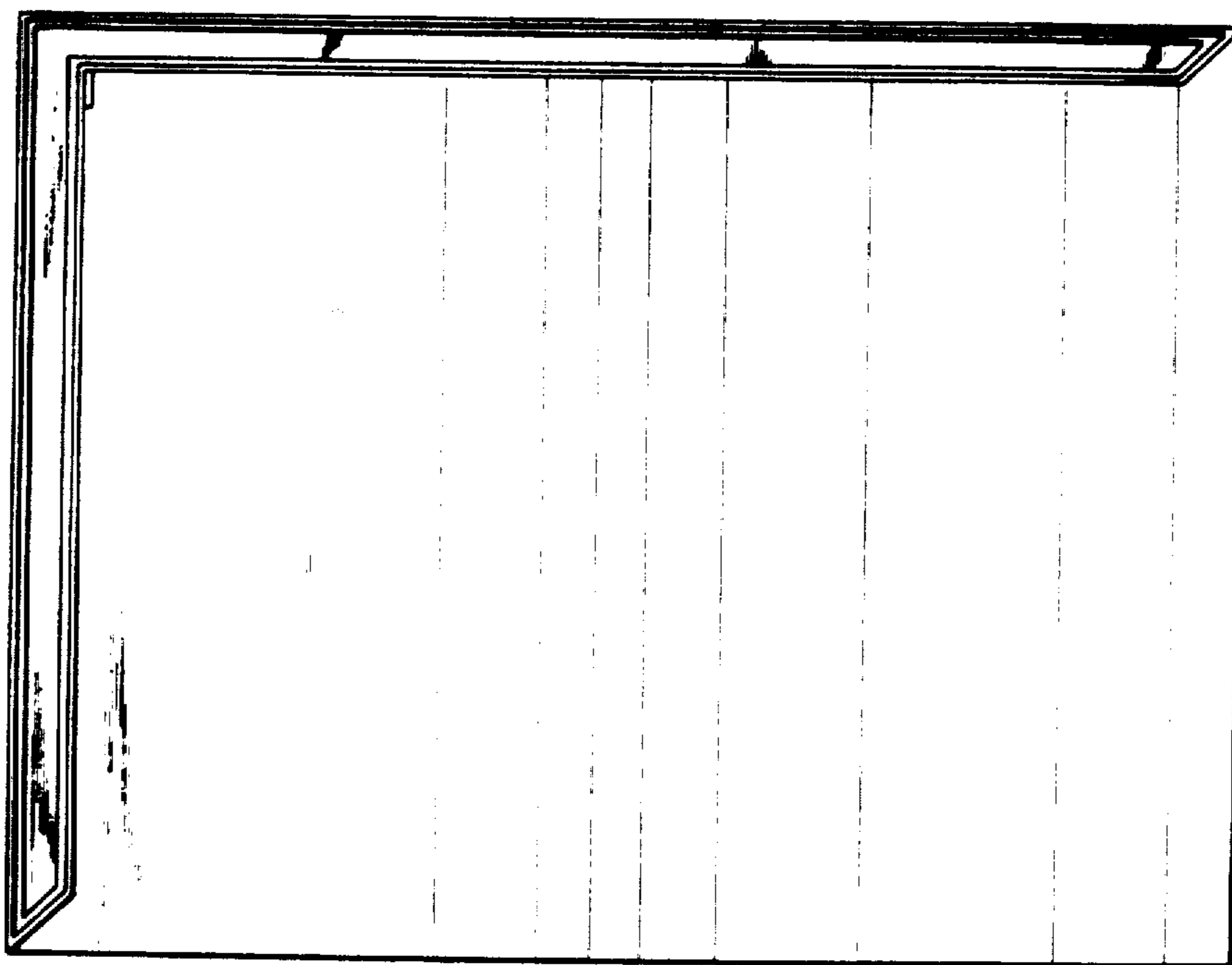


FIG. 5

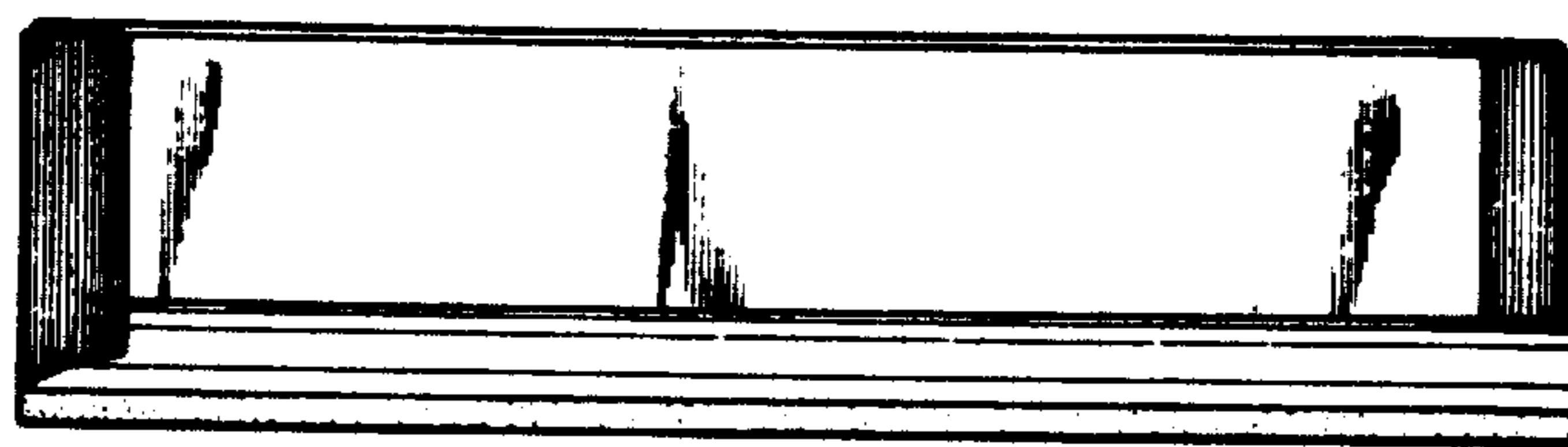


FIG. 6



FIG. 7